

---

---

# CONNECT™ WORK TOOLS

## CS7 Shear



---

---

# Parts Manual CS-Series



Part #CSE00010

Connect Work Tools - [www.connectworktools.com](http://www.connectworktools.com) - 920.238.6657

---

---



# TABLE OF CONTENTS

## Table of Contents

<b><u>CONTACT INFORMATION</u></b> .....	4
<b><u>1.0 EQUIPMENT IDENTIFICATION</u></b>	
1.1 LOCATION OF SERIAL NUMBER .....	5
1.2 OWNER'S RECORD OF EQUIPMENT .....	5
<b><u>2.0 DECALS</u></b>	
2.1 - CS7 DECALS .....	7
<b><u>3.0 CS7 SHEAR</u></b>	
3.1 - CS7 SHEAR TA - CSK0700011 .....	10
3.1.1 - BODY SUB ASSEMBLY - CSK0700051 .....	12
3.1.2 - BLADE KIT - CSE00011 .....	17
3.1.3 - CYLINDER ASSEMBLY - CSK0701660 .....	18
3.2 - CS7 TOP BODY SUB ASSEMBLY - CSK0700800 .....	20
3.3 - CS7 TURNING JOINT ASSEMBLY - CSK0701180 .....	24
3.4 - CS7 - DC ROTATION CONNECTION .....	26
3.5 - CS7 ROT CONV 12VDC TO 24VDC - CSE00055 .....	27
3.6 - CS7 ROT CONV 12VDC TO HYD - CSE00058 .....	28

## CONTACT INFORMATION



**Connect Work Tools**  
**115 Commerce Blvd**  
**Cleburne, TX 76033**

**E-mail: [info@connectworktools.com](mailto:info@connectworktools.com)**  
**Main Phone: 920-238-6657**  
**Fax: 715-395-3703**

Contact your Connect Work Tools Representative or the Connect Work Tools Parts Department for replacement manuals. Inquiries regarding the content of this manual must include the release date shown below.

Information in this manual is subject to change without advance notice.

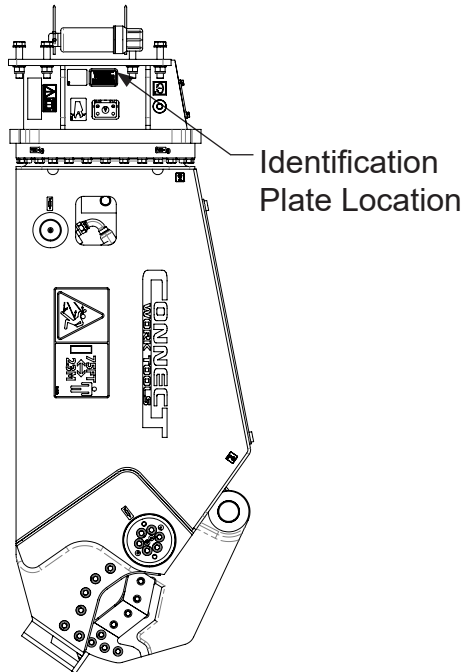
**Table 1.1 About this manual**

Document ID No.	CSE00010
Type	Safety & Operators
Release Date	June 2026
Product Name	CWT Shear
Series	CS
Serial Numbers	CS7 101+
Years of Manufacture	2025 & above
Original Instructions	American English

# 1.0 EQUIPMENT IDENTIFICATION

## 1.1 Location of the Serial Number Decal

Models: CS7



The Serial Equipment Identification Decal is affixed to the side of the housing box. It provides the following information:

- Serial Number
- Model Number
- Weight
- Pressure Open/Close
- Flow Open/Close
- Pressure Rotate
- Flow Rotate

**\*\*Note: Prior to ordering parts, it's important to confirm your model and serial number**

<b>CONNECT™ WORK TOOLS</b>				
Serial Number:				
Model Number:				
Weight:		kg		lb
Open/ Close	Pressure:	bar		psi
	Flow:	l/min		gpm
Rotate	Pressure:	bar		psi
	Flow:	l/min		gpm

## 1.2 Owner's Record of the Equipment

Record the Model and Serial Number from the Serial Equipment Identification Tag to the space provided below. Indicate the date in which the Connect Work Tools equipment was placed into service.

Model: CS7

Serial Number: \_\_\_\_\_

In Service Date: \_\_\_\_\_

Your Connect Work Tools representative requires this information to better assist you with questions regarding parts, warranty, operation, maintenance, or repair.

Your equipment must be registered by your local Distributor at the time of sale.

Product Registration Date: \_\_\_\_\_

## 2.0 - DECALS

All decals pictured are included in decal kits (with exception of No. 10)

### 2.1 Standard Decals



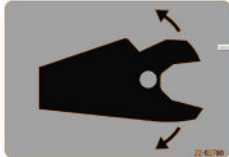
1. Part Number 16-00078 - Decal Warning Read Manual



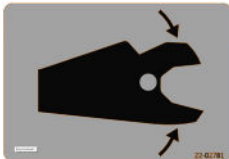
2. Part Number 16-00082 - Decal Lift Point



3. Part Number 16-00082 - Decal Lift Point



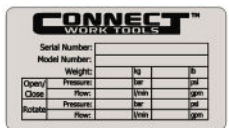
4. Part Number 22-02780 - Decal Open



5. Part Number 22-02781 - Decal Close



6. Part Number 22-02922 - Decal Stay Away 75ft/23m



7. Part Number CHE00004 - Decal SN Plate (Not included in Decal Kit)



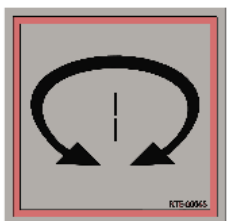
8. Part Number CHE00385 - Decal LOGO



9. Part Number CHE000XX - Decal CS7

Not Shown

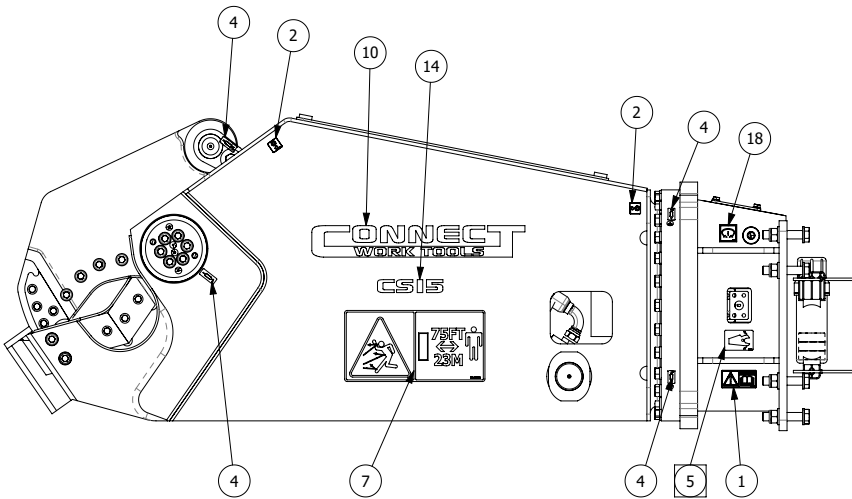
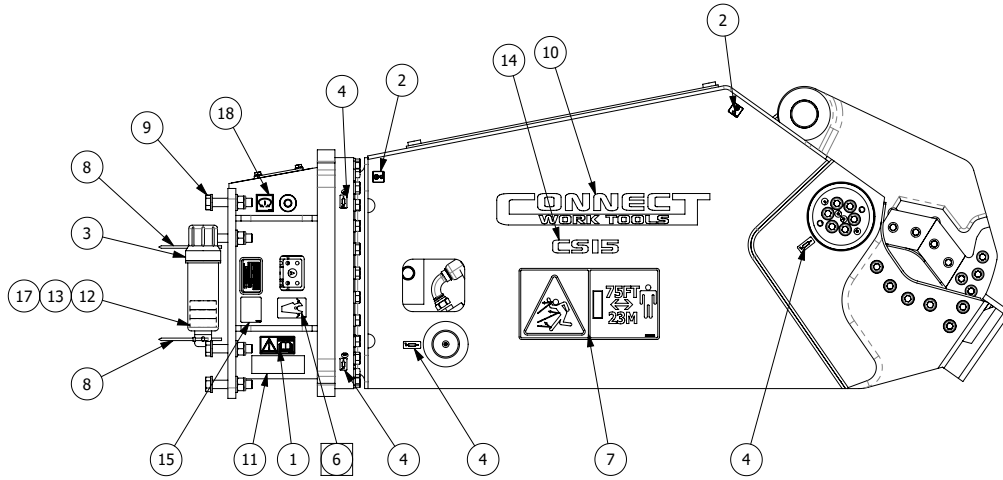
10. Part Number CSE00004 - Decal QR Code



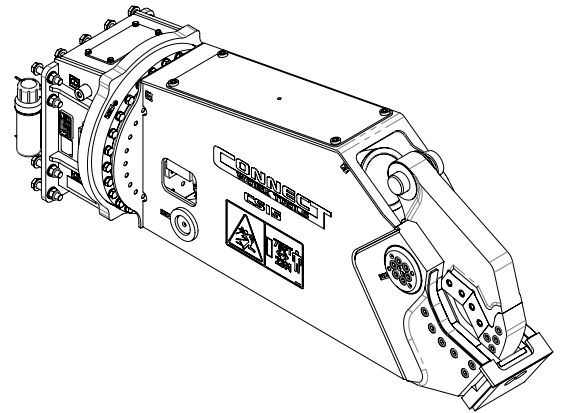
11. Part Number RTE00065 - Decal Rotate



## 2.0 - DECALS



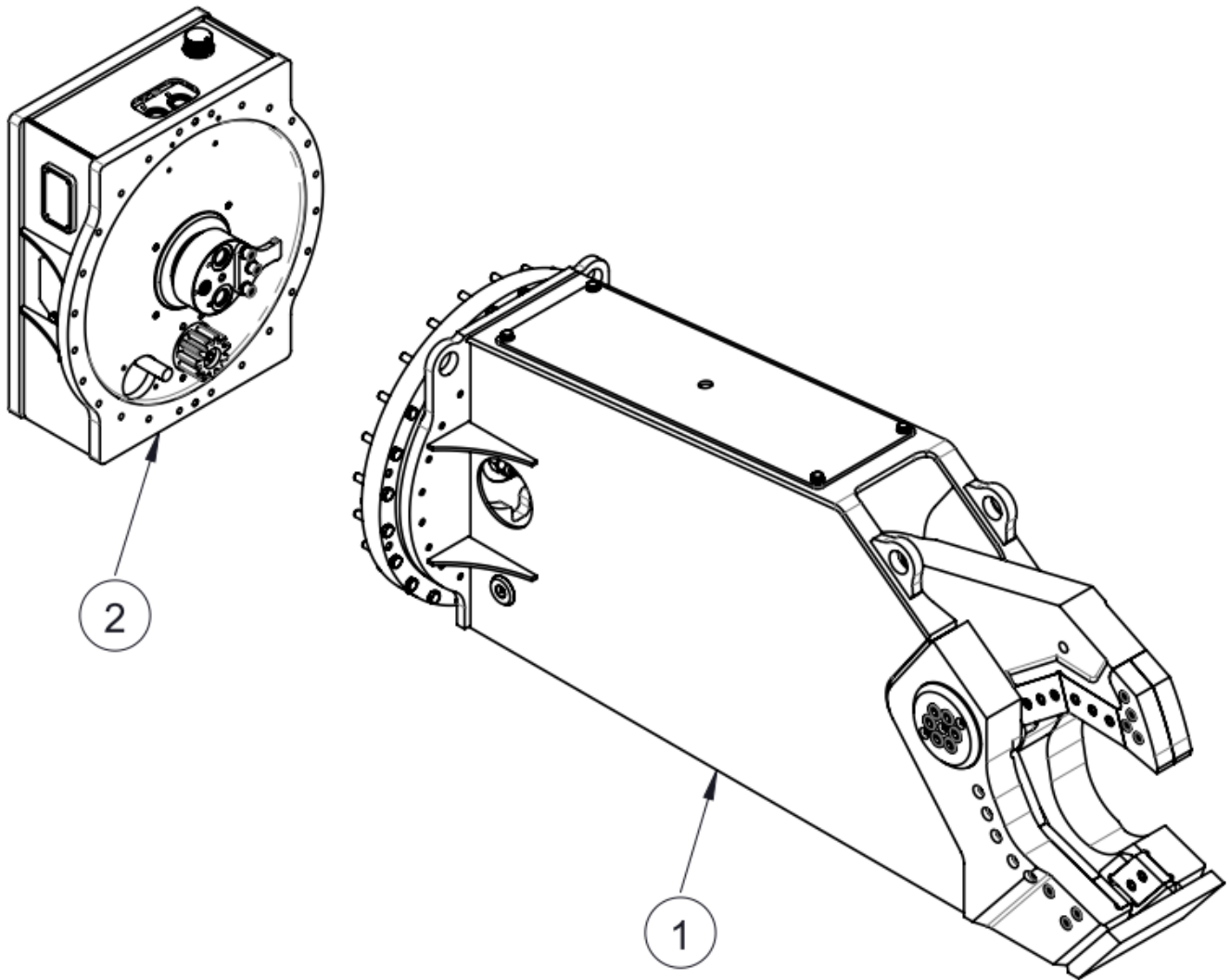
ITEMS **5** & **6** NEED TO BE PLACED  
ON THE APPROPRIATE OPEN/CLOSE SIDE



## 2.0 - DECALS

ITEM	PN#	NAME	QTY	REMARKS
1	16-00078	DECAL WARNING READ MANUAL	2	
2	16-00082	DECAL LIFT POINT	4	
3	22-00549	DOCUMENT TUBE	1	
4	22-01373	DECAL GREASE	8	
5	22-02780	DECAL OPEN	1	
6	22-02781	DECAL CLOSE	1	
7	22-02922	DECAL STAY AWAY 75FT/23M	2	
8	30-00539	ZIP TIE 14" BLACK HD	2	
9	CHB520BTPBK	MOUNTING BOLT KIT CH110/120/130/140	1	
10	CHE00385	DECAL CONNECT LOGO 24"	2	
11	CHE01864	DECAL CWT SERVICE-SALES-PARTS 2X6	1	
12	CSE00001	MANUAL SERVICE OPERATIONS CS SERIES	1	
13	CSE00002	MANUAL PARTS CS SERIES	1	
14	CSE00003	DECAL CS15	2	
15	CSE00004	DECAL – MANUAL QR CODE CS	1	
16	CSMRS15	ASSY CS15	1	
17	D-0104	CH BREAKER INST. & REG. FORM	1	
18	RTE00065	DECAL GRAPPLE ROTATE	2	

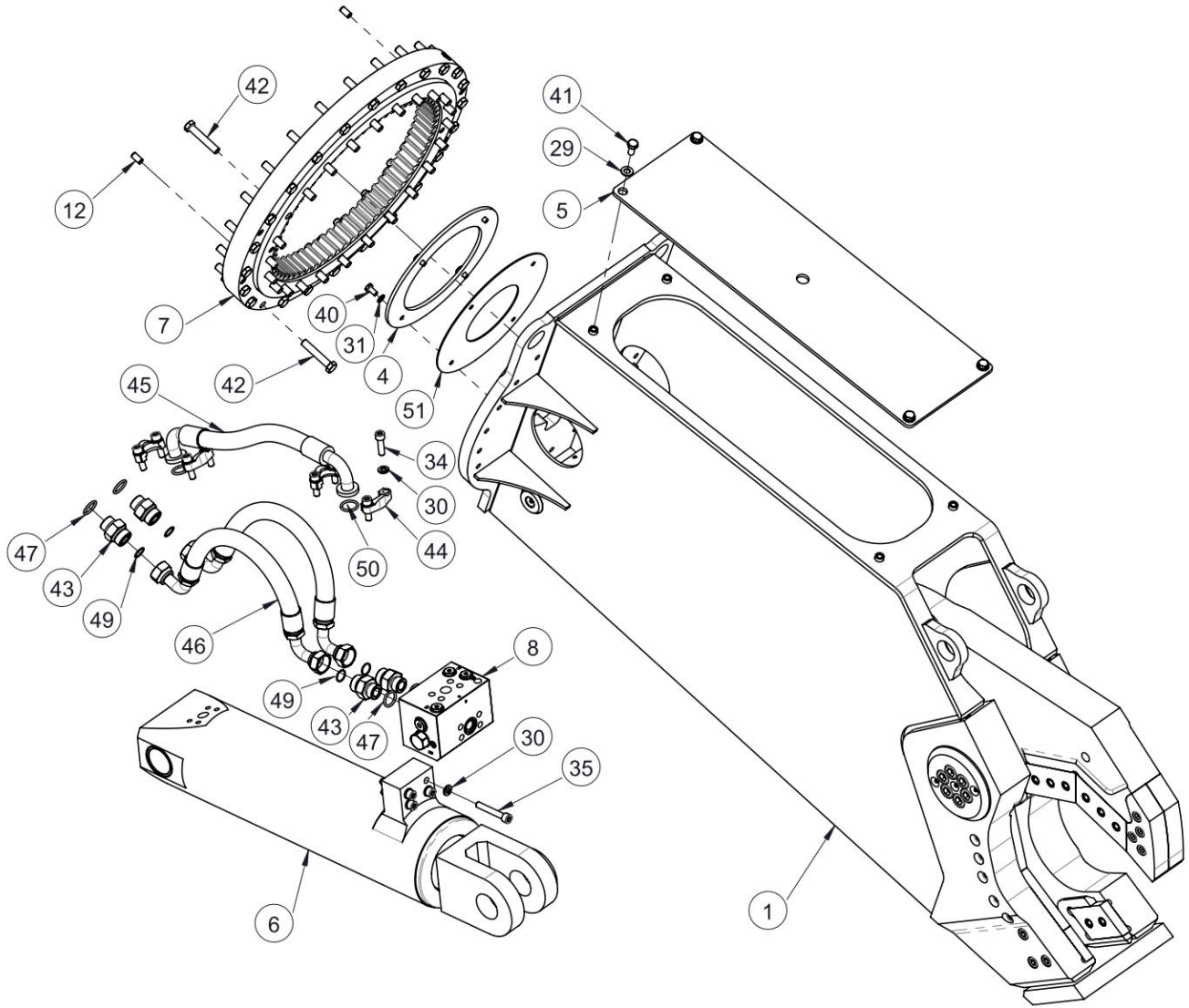
## 3.1 - CS7 SHEAR TA - CSK0700011



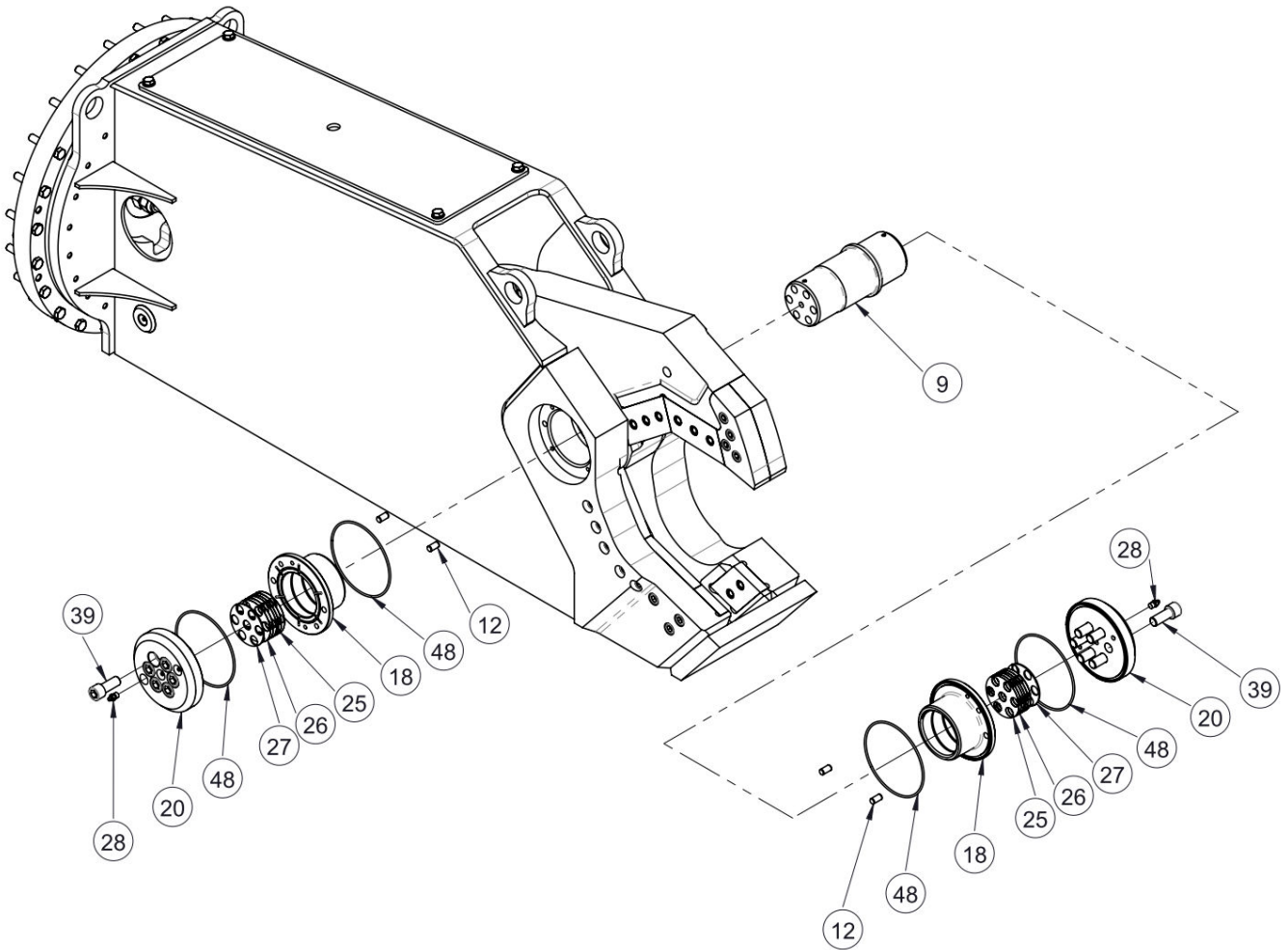
ITEM	PN#	NAME	QTY	REMARK
	CSK0700011	SHEAR T.A	1	
1	CSK0700051	BODY SUB ASSY	1	<i>For more detail see p.12</i>
2	CSK0700800	TOP BODY SUB ASSY	1	<i>For more detail see p.20</i>



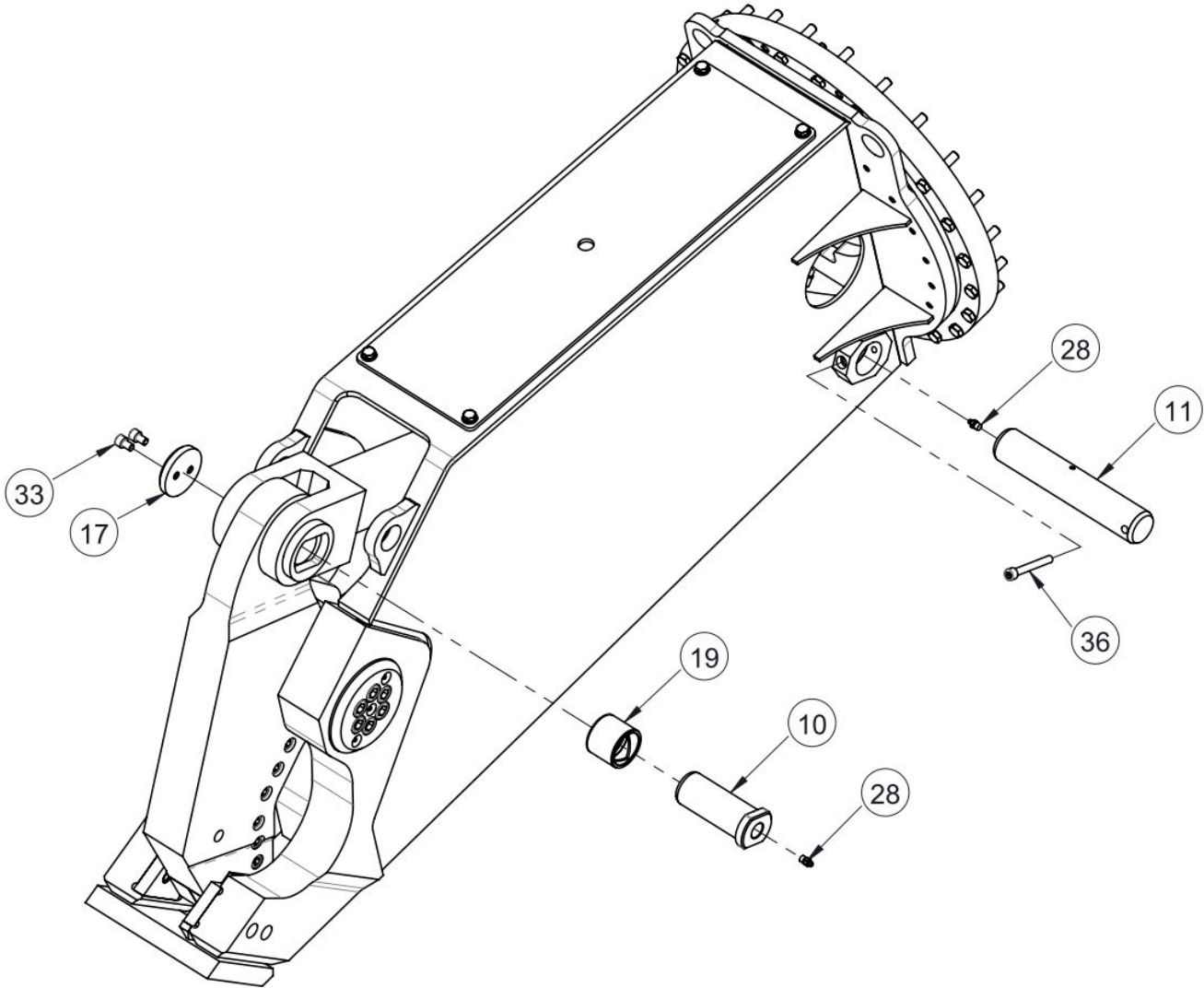
## 3.1.1 - BODY SUB ASSEMBLY - CSK0700051



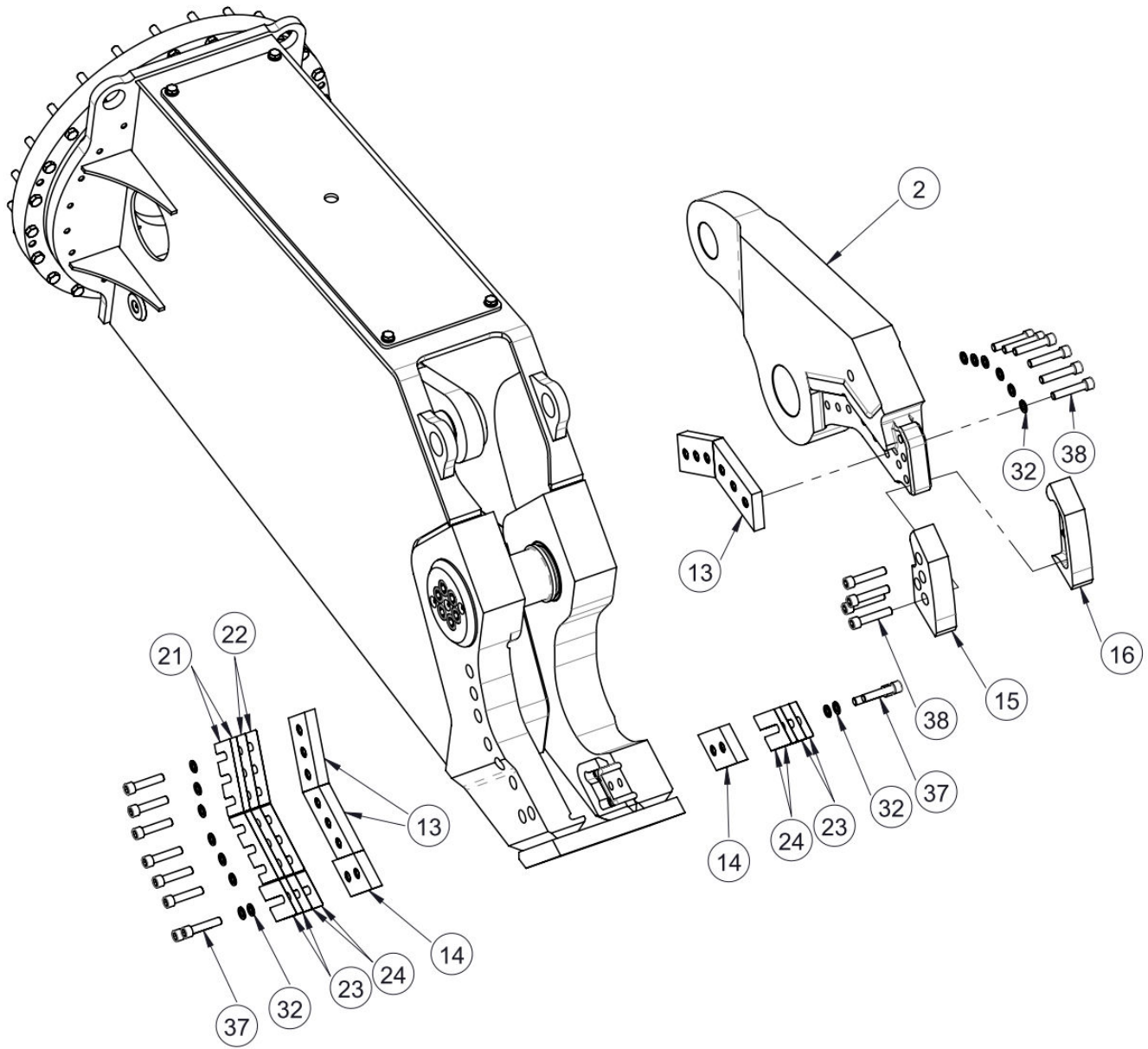
## 3.1.1 - BODY SUB ASSEMBLY - CSK0700051



## 3.1.1 - BODY SUB ASSEMBLY - CSK0700051



## 3.1.1 - BODY SUB ASSEMBLY - CSK0700051



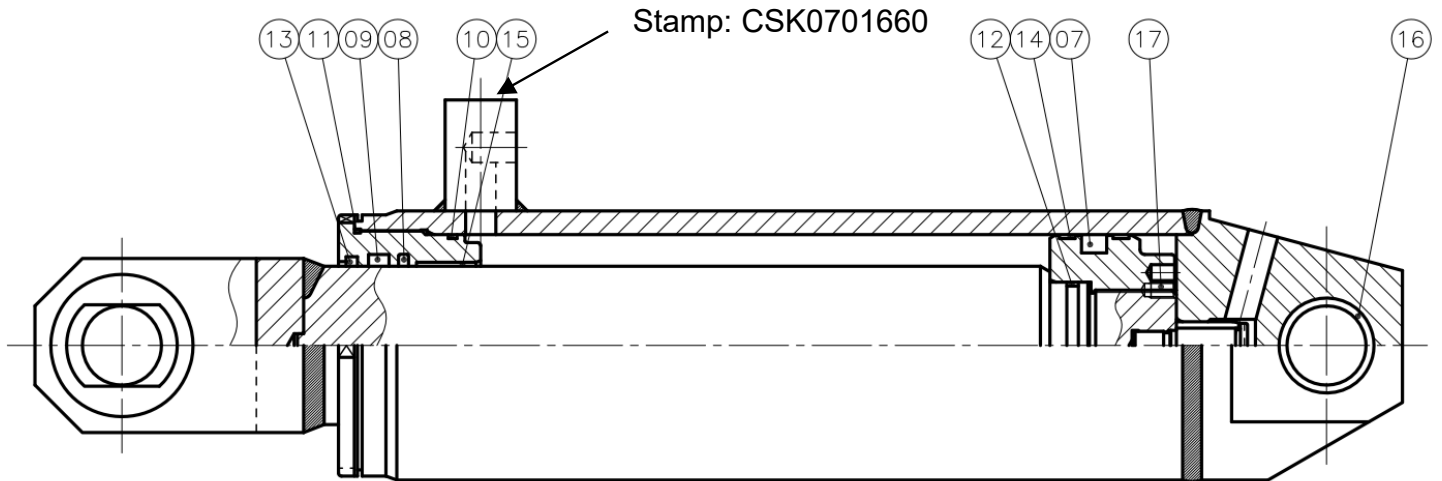
**3.1.1 - BODY SUB ASSEMBLY - CSK0700051**

ITEM	PN#	NAME	QTY	REMARK
	CSK0700051	BODY SUB ASSY		
1	CSK0700100	BODY W.A	1	
2	CSK0701630	UPPER JAW W.A	1	
3	CSK0700700	STOPPER	1	
4	CSK0701290	PLATE; DUST CAP	1	
5	CSK0700750	COVER PLATE	1	
6	CSK0701660	CYLINDER ASSY	1	
7	CSK0701200	SLEWING RING GEAR	1	
8	CSK0700640	SPEED UP VALVE	1	
9	CSK0700610	PIN; MAIN	1	
10	CSK0700660	PIN; LINK	1	
11	CSK0700690	PIN; CYLINDER HEAD	1	
12	CSC1500300	PIN, DOWEL	6	
13	CSK0700540	CUTTER	4	
14	CSK0700550	CUTTER; GUIDE	2	
15	CSK0701620	BLADE; BOOT TIP RH	1	
16	CSK0701610	BLADE; BOOT TIP LH	1	
17	CSC0700090	CYL PIN STOPPER	1	
18	CSK0700590	BUSH; MAIN	2	
19	CSK0700620	BUSH; LINK	1	
20	CSK0700630	COVER; MAIN PIN	2	
21	CSK0700762	SHIM PLATE	4	0.2mm
22	CSK0700763	SHIM PLATE	4	0.5mm
23	CSK0700772	SHIM PLATE	4	0.2mm
24	CSK0700773	SHIM PLATE	4	0.5mm
25	CSK0700732	SHIM PLATE; MAIN PIN	6	0.2mm
26	CSK0700733	SHIM PLATE; MAIN PIN	6	0.5mm
27	CSK0700734	SHIM PLATE; MAIN PIN	2	2mm
28	CSGN180000	GREASE NIPPLE	8	

## 3.1.1 - BODY SUB ASSEMBLY - CSK0700051

ITEM	PN#	NAME	QTY	REMARK
29	CSPW100000	PLAIN WASHER	4	
30	CSSW100000	SPRING WASHER	12	
31	CSSW080000	SPRING WASHER	4	
32	CSNDLW1200	NORD LOCK WASHER	16	
33	CSSB1015015	SOCKET BOLT	2	
34	CSSB1015035	SOCKET BOLT	8	
35	CSSB1015065	SOCKET BOLT	4	
36	CSSB1015080	SOCKET BOLT	1	
37	CSSB1217055	BOLT, SOCKET	10	
38	CSSB1217060	SOCKET BOLT	10	
39	CSSB1620040	SOCKET BOLT	12	
40	CSHB0812015	BOLT, HEX	4	
41	CSHB1015020	HEX.BOLT	4	
42	CSHB1217065	HEX BOLT	48	
43	CSAPO12MOR12M	ADAPTER	4	
44	CSSF12F61	SPLIT FLANGE	4	
45	CSK0700710	HOSE ASSY	1	
46	CSK0700720	HOSE ASSY	2	
47	CSA0807600	O-RING	4	
48	CSB6007080	O-RING	4	
49	CSB4007340	O-RING	4	
50	CSV2040070	O-RING	2	
51	CSK0701600	RUBBER; RING	1	

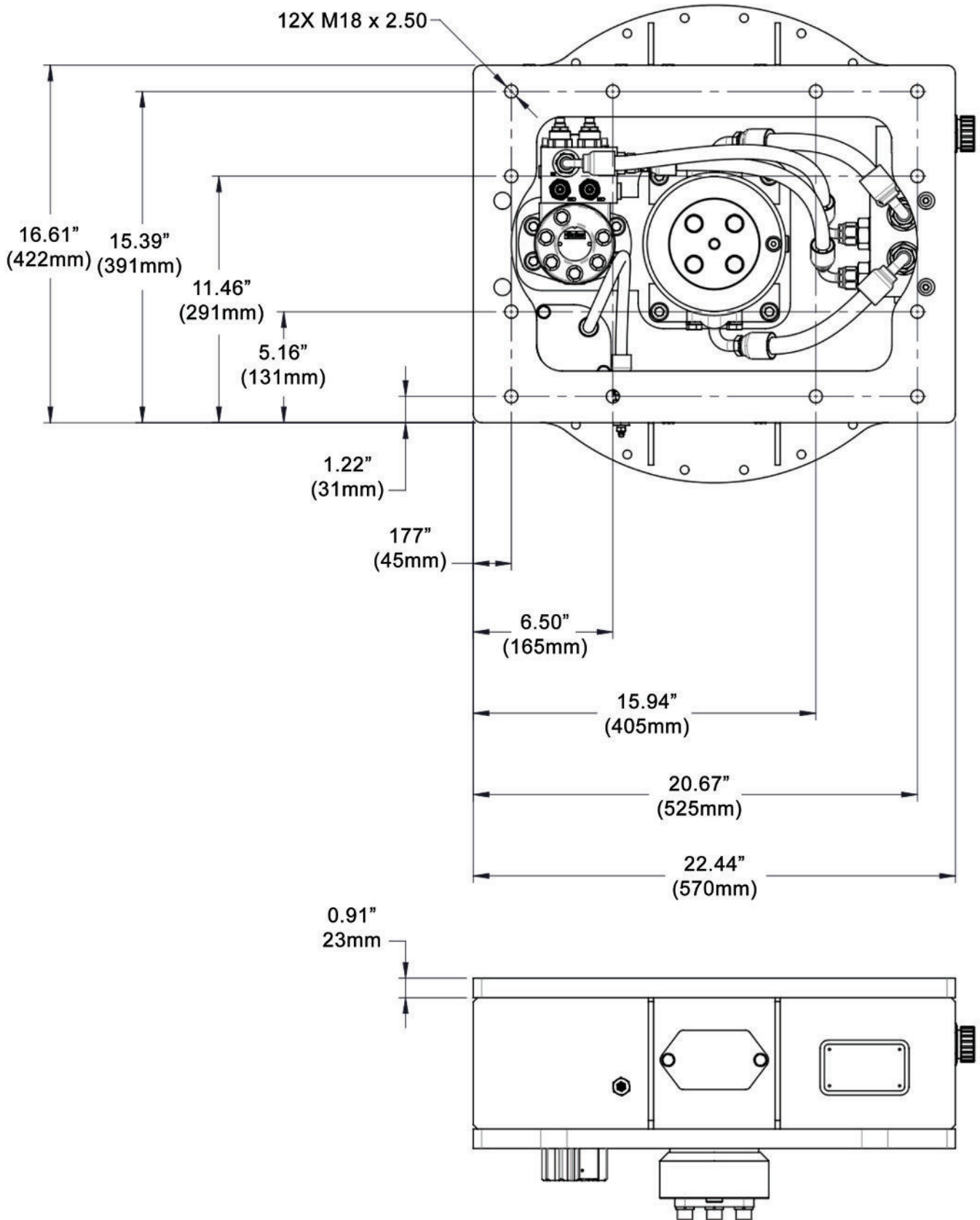
## 3.1.3 - CYLINDER ASSEMBLY - CSK0701660



ITEM	PN#	NAME	QTY	REMARK
	CSK0701660	CYLINDER ASSY	1	
15	CSK0700561	DU BUSH	1	
16	CSK0700562	BUSH	2	
17	CSK0700563	SET SCREW	1	
-	CSK0701665	SEAL KIT ; CYLINDER	1	
7		PISTON SEAL	1	Part of SEAL KIT
8		ROD SEAL	1	Part of SEAL KIT
9		ROD SEAL	1	Part of SEAL KIT
10		O-RING	1	Part of SEAL KIT
11		O-RING	1	Part of SEAL KIT
12		O-RING	1	Part of SEAL KIT
13		DUST SEAL	1	Part of SEAL KIT
14		WEAR RING	1	Part of SEAL KIT

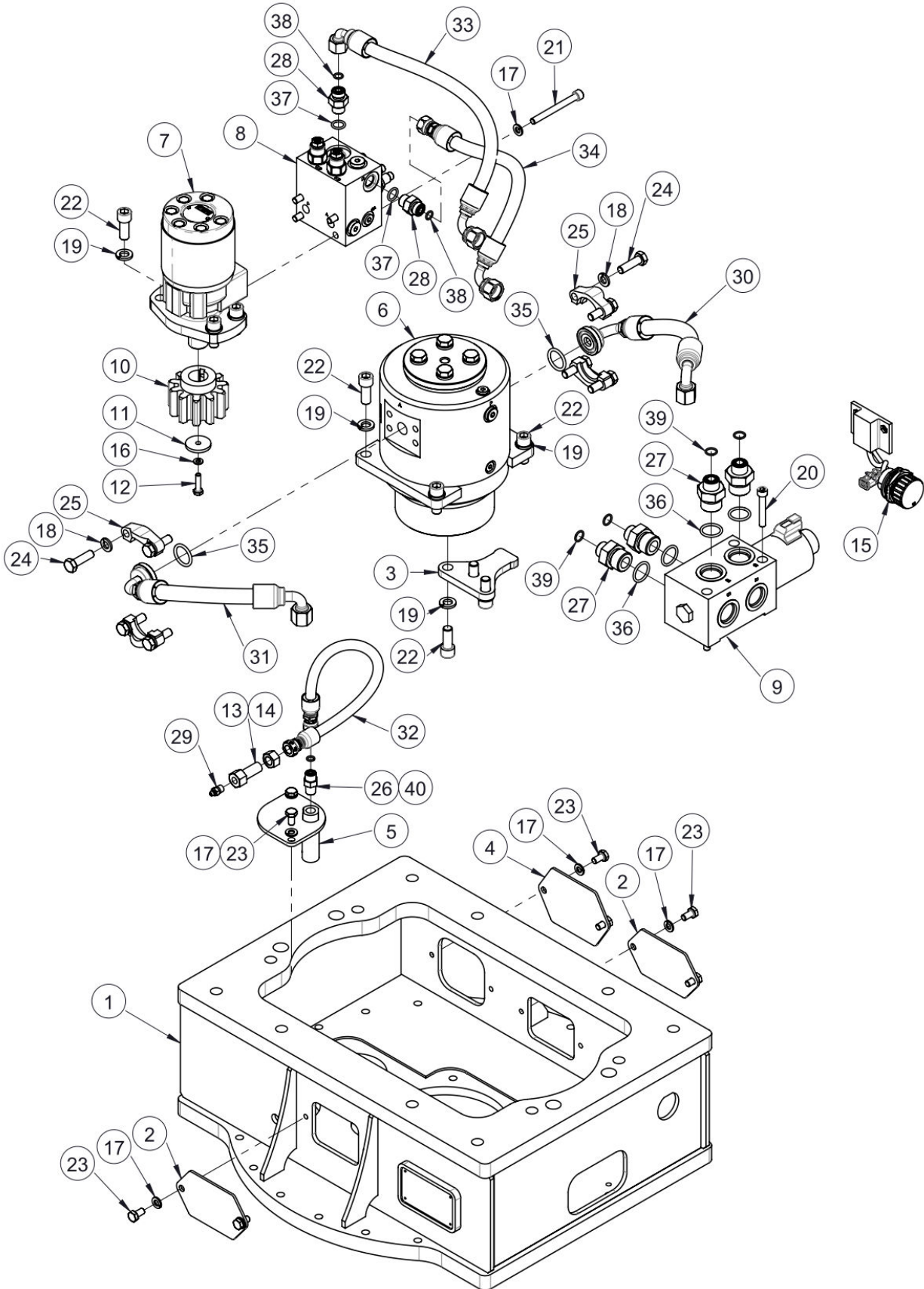


## 3.2 - CS7 TOP BODY SUB ASSEMBLY - CSK0700800



CSE00010

## 3.2 - CS7 TOP BODY SUB ASSEMBLY - CSK0700800



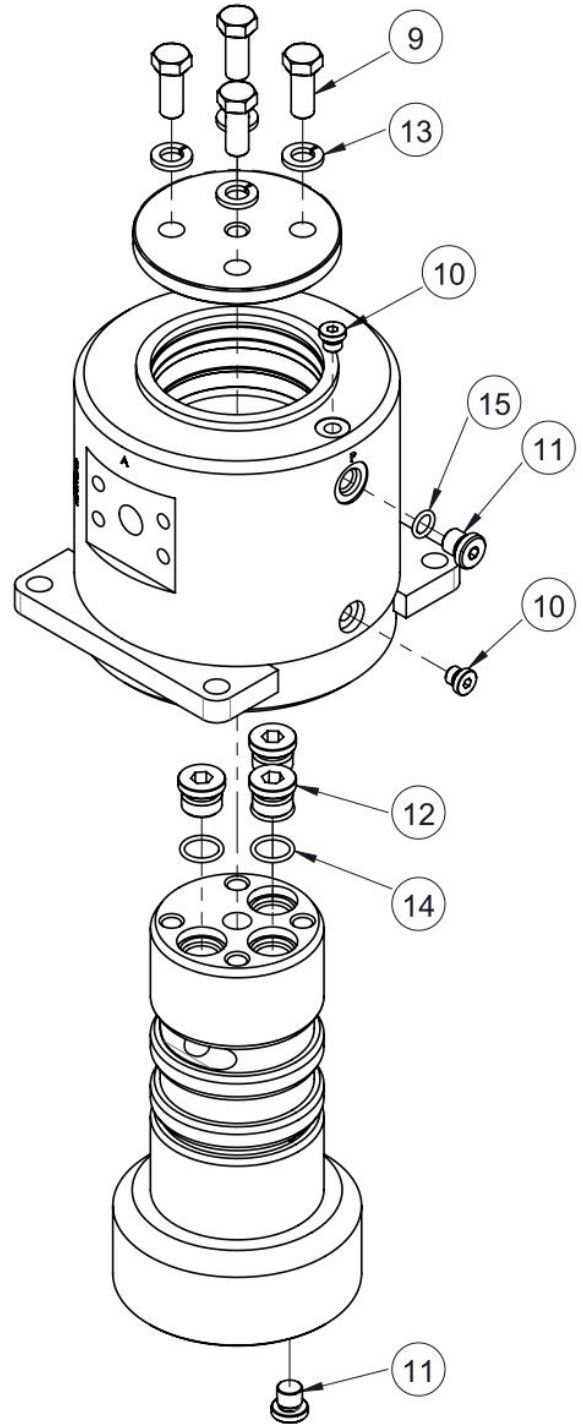
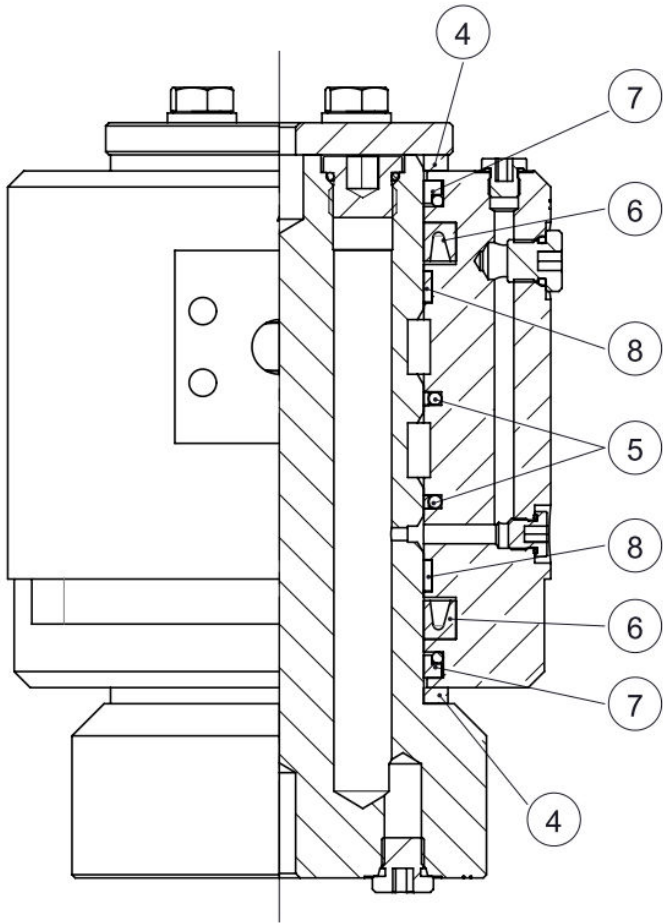
## 3.2 - CS7 TOP BODY SUB ASSEMBLY - CSK0700800

ITEM	PN#	NAME	QTY	REMARK
	CSK0700800	TOP BODY SUB ASSY		
1	CSK0700900	TOP BODY W.A	1	
2	CSK0700810	PLATE; COVER	2	
3	CSK0700820	PLATE; STOPPER	1	
4	CSK0700830	PLATE; COVER	1	
5	CSK0701280	COVER; GREASE	1	
6	Replaced by CSK0700820 & CSK0701180	TURNING JOINT - CS7001-CS7003	1	
6	CSK0701180	TURNING JOINT - CS7004+	1	
7	CSS1527000	HYD MOTOR	1	
8	CSK0701191	MOTOR VALVE	2	
9	CSK0701210	SOLENOID VALVE	1	
10	CSC0700120	PINION GEAR	1	
11	CSC0700130	STOPPER	1	
12	CSS1527002	HEX BOLT	1	
13	CSK0701340	ADAPTER; REDUCER	1	
14	CSK0701350	ADAPTER; NUT	1	
15	CSK0701260	RELAY ASSY	1	
16	CSSW060000	SPRING WASHER	1	
17	CSSW080000	SPRING WASHER	12	
18	CSSW100000	SPRING WASHER	8	
19	CSSW120000	SPRING WASHER	11	
20	CSSB0812050	BOLT, SOCKET	3	
21	CSSB0812080	SOCKET BOLT	4	

## 3.2 - CS7 TOP BODY SUB ASSEMBLY - CSK0700800

ITEM	PN#	NAME	QTY	REMARK
22	CSSB1217030	SOCKET BOLT	11	
23	CSHB0812015	BOLT, HEX	8	
24	CSHB1015035	HEX. BOLT	8	
25	CSSF12F61	SPLIT FLANGE	4	
26	CSAPT04MOR04M	ADAPTER	1	
27	CSAUF12MOR08M	ADAPTER	4	
28	CSAPO06MOR06M	ADAPTER	2	
29	CSGN180000	GREASE NIPPLE	1	
30	CSK0701220	HOSE ASSY	1	
31	CSK0701230	HOSE ASSY	1	
32	CSK0701331	HOSE ASSY	1	
33	CSK0701360	HOSE ASSY	1	
34	CSK0701370	HOSE ASSY	1	
35	CSV2040070	O-RING	2	
36	CSV0330050	O-RING	4	
37	CSB1807310	O-RING	2	
38	CSK07G5090	O-RING	2	
39	CSK07G4930	O-RING	4	
40	CSK07G5080	O-RING	1	

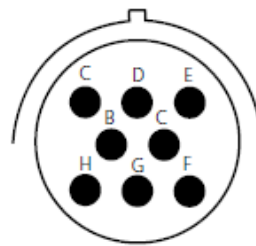
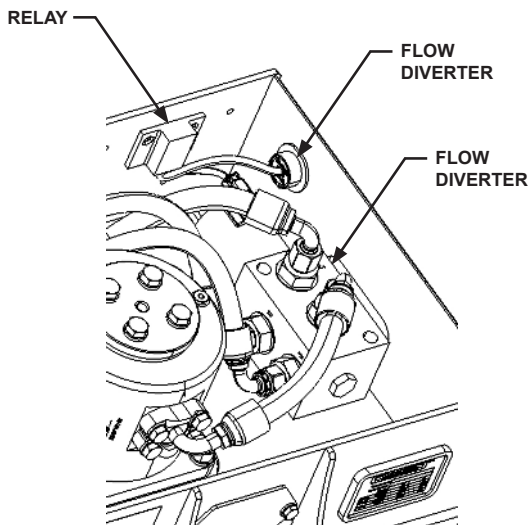
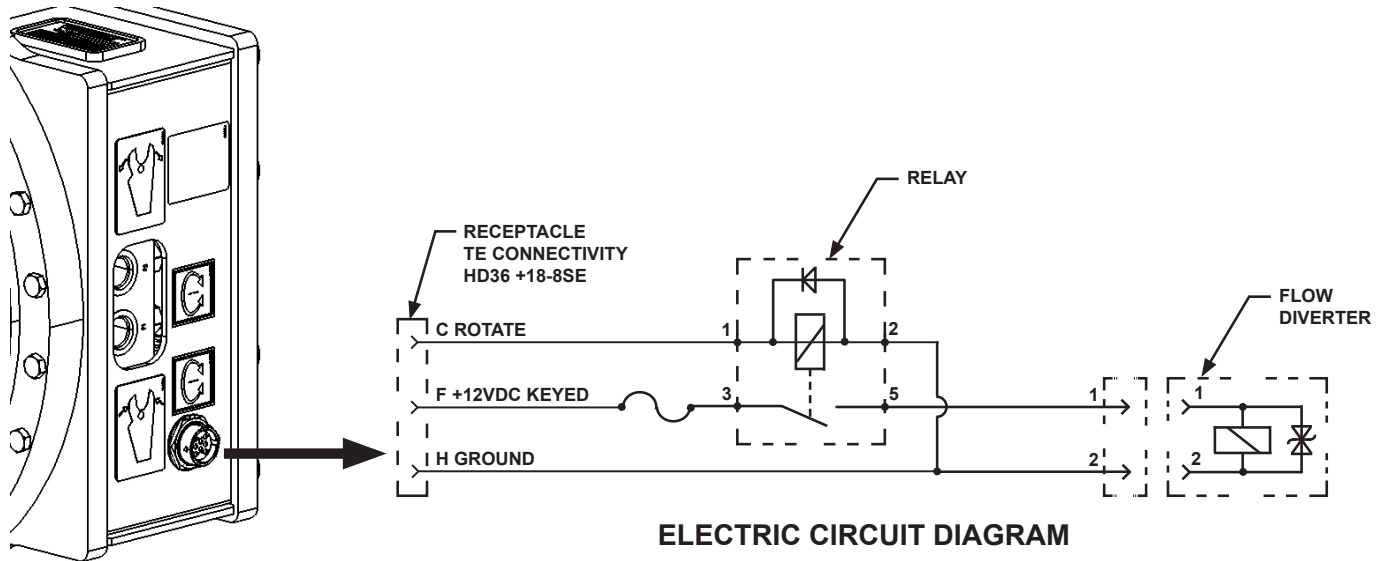
### 3.3 - CS7 TURNING JOINT ASSEMBLY - CSK0701180



## 3.3 - CS7 TURNING JOINT ASSEMBLY - CSK0701180

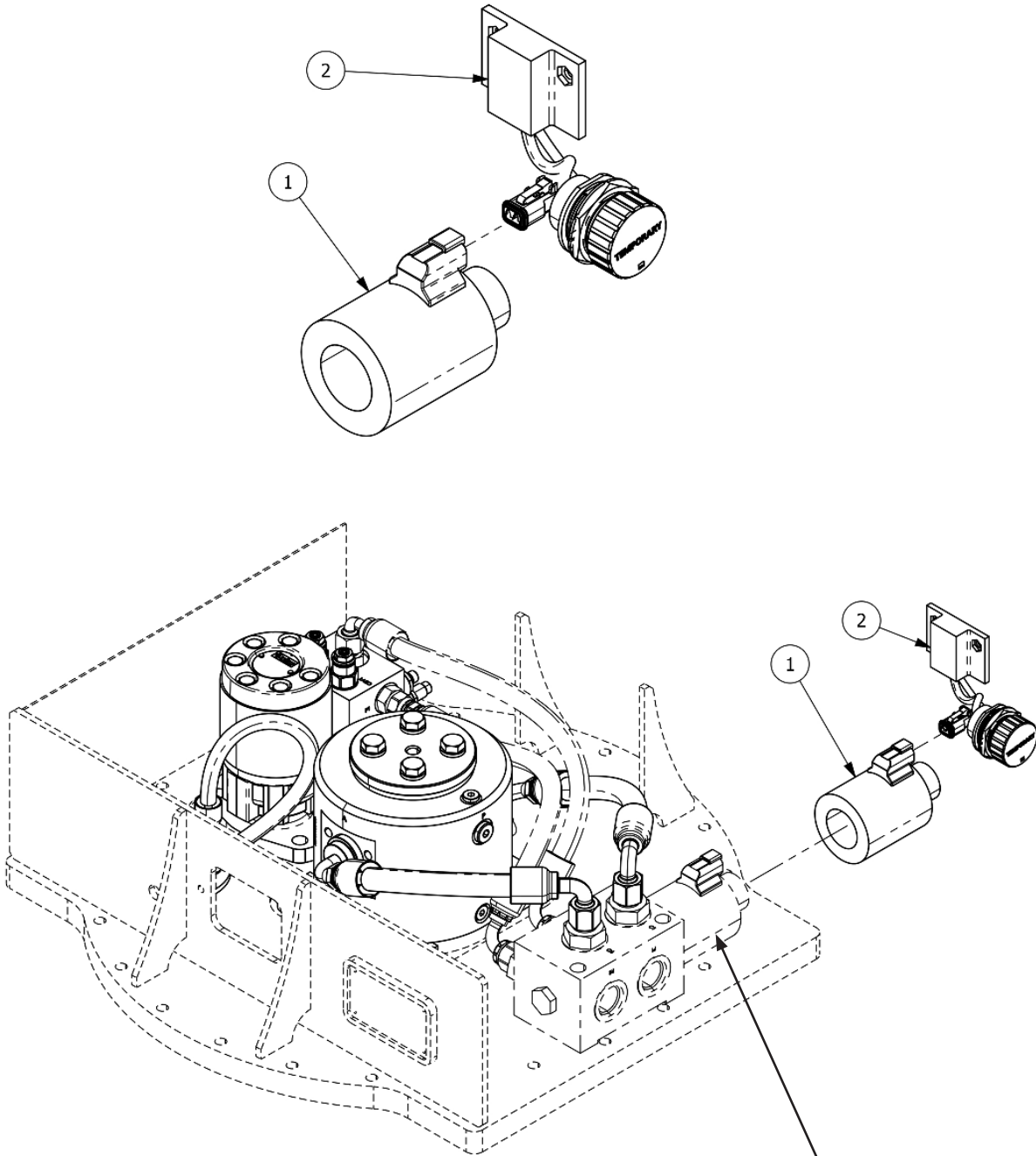
ITEM	PN#	NAME	QTY	REMARK
	CSK0701180	TURNING JOINT		
4	CSK0701182	BUSH	2	
	CSK0701181	SEAL KIT; T/JOINT		
5		ROTARY SEAL	2	<i>Part of SEAL KIT</i>
6		ROD SEAL	2	<i>Part of SEAL KIT</i>
7		DUST SEAL	2	<i>Part of SEAL KIT</i>
8		WEAR RING	2	<i>Part of SEAL KIT</i>
9	CSHB1217030	HEX BOLT	4	
10	CSSC030060	SOCKET PLUG	2	
11	CSK0701670	SOCKET PLUG	2	
12	CSA0606180	SOCKET PLUG	3	
13	CSSW120000	SPRING WASHER	4	
14	CSA2507380	O-RING	3	
15	CSA2007150	O-RING	1	

## 3.4 - CS7 - DC ROTATION CONNECTION



18-8 - 8 SIZE 12 N, E

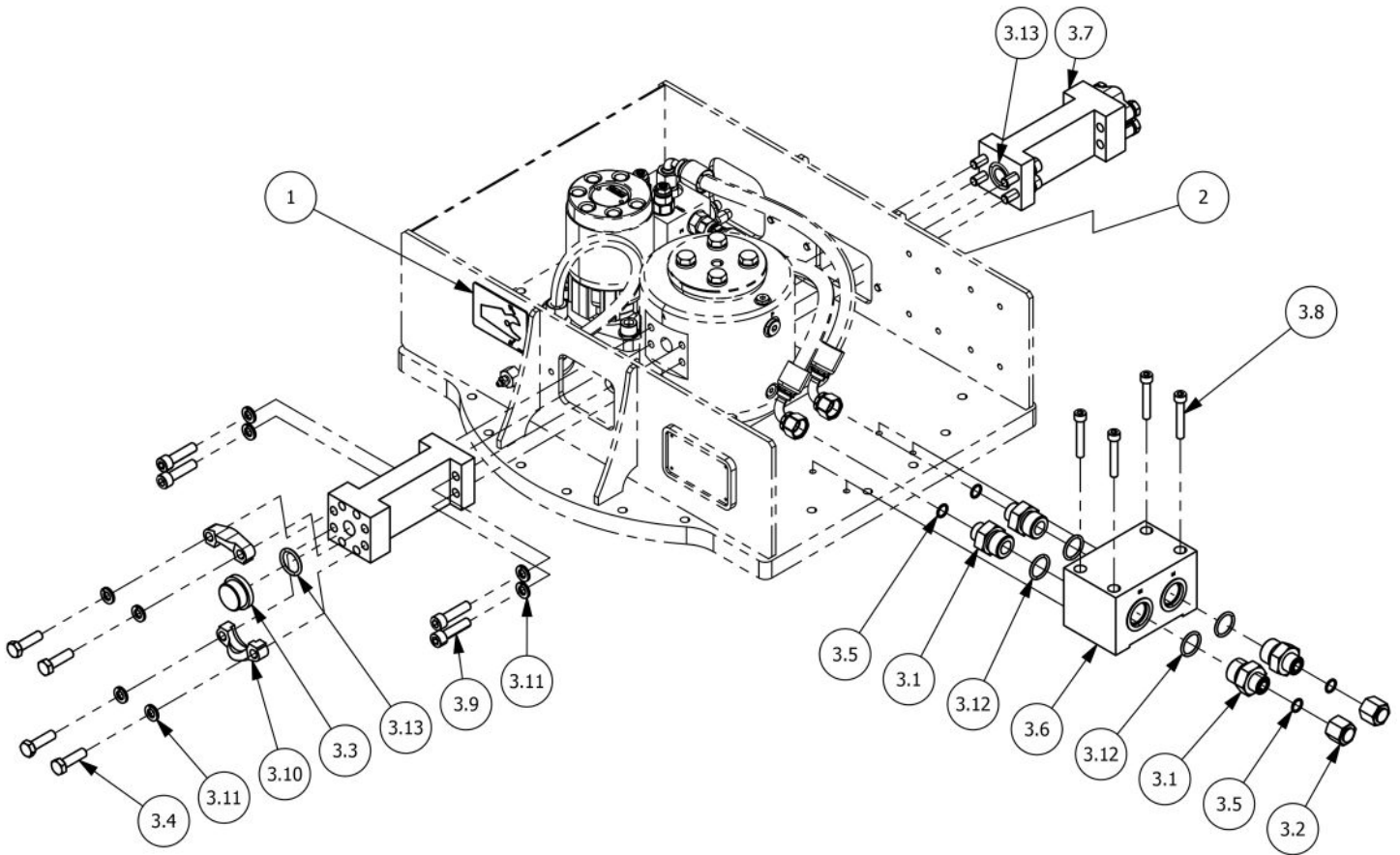
## 3.5 - CS7 ROT CONV 12VDC TO 24VDC - CSE00055



UNINSTALL THE EXISTING 12VDC PARTS AND RETURN THEM TO WAREHOUSE TO BE ADDED BACK INTO INVENTORY. CSE00053 (SOLENOID VALVE 12VDC (COIL ONLY)) CSK0701260 (12VDC RELAY ASSY)

ITEM	PN#	NAME	QTY	REMARK
1	CSE00054	SOLENOID VALVE 24VDC (COIL ONLY)	1	
2	CSK0701690	24VDC RELAY ASSY	1	

## 3.6 - CS7 ROT CONV 12VDC TO HYD - CSE00058



## 3.6 - CS7 ROT CONV 12VDC TO HYD - CSE00058

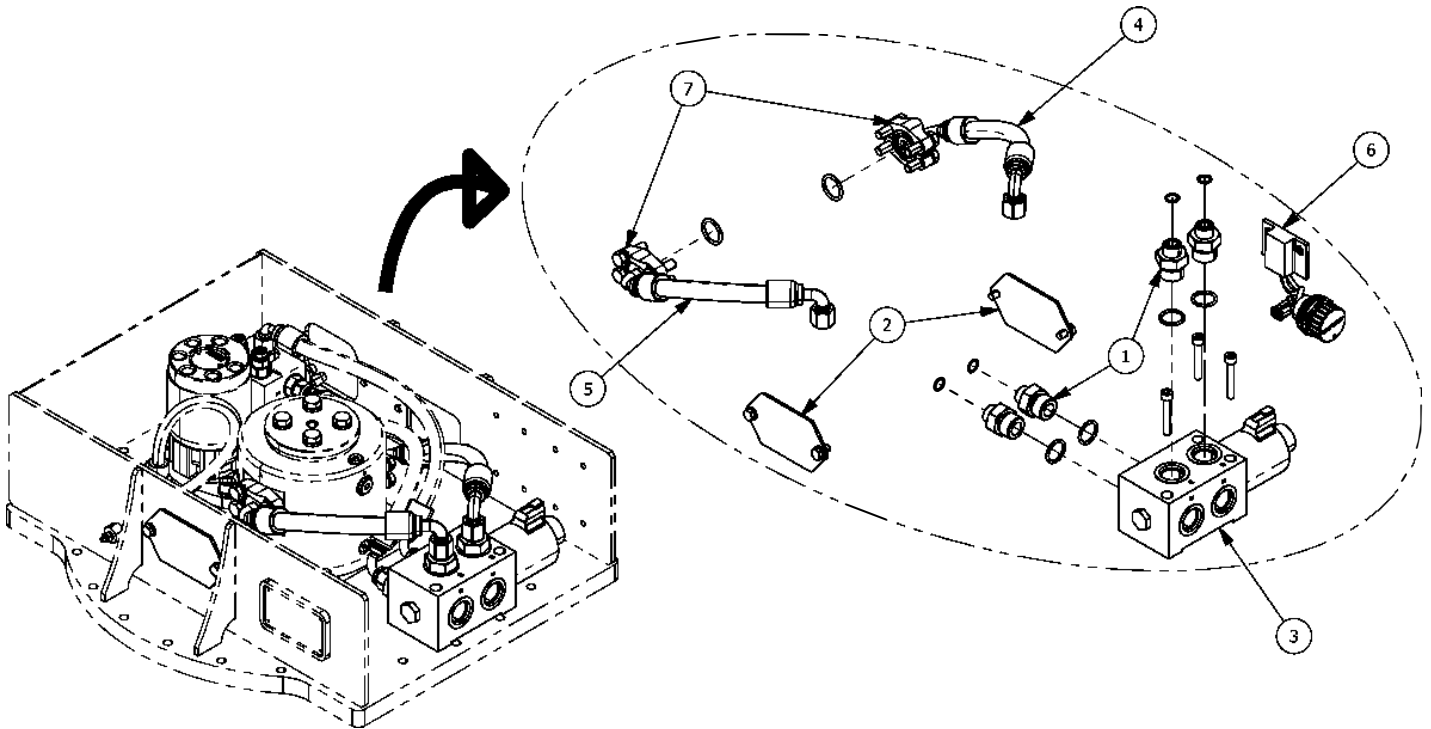
ITEM	PN#	NAME	QTY	REMARK
1	22-02780	DECAL OPEN	1	
2	22-02781	DECAL CLOSE	1	
3	CSK0700851	CS7 HYDRAULIC ROTATE KIT	1	
3.1	CSAUF12MOR08M	FTG-HYD 12MB-08MO	4	
3.2	CSCOR08F	FTG-HYD 08FO CAP	2	
3.3	CSCSF12M61	PLUG; SPLIT FLANGE -12FL61	2	
3.4	CSHB1015035	HH CS M10 - 1.50 X 35 P_10.9	8	
3.5	CSK07G4930	O-RING-014-08MO VITON 90D	4	
3.6	CSK0700860	BLOCK; MOTOR IN, OUT	1	
3.7	CSK0701250	MACH PORT BLOCK	2	
3.8	CSSB0812050	SH CS M8 - 1.25 X 50 P_12.9	4	
3.9	CSSB1015040	SH CS M10 - 1.50 X 40 P_12.9	8	
3.10	CSSF12F61	SPLIT FLANGE -12FL61	4	
3.11	CSSW100000	WASHER LOCK SPLIT M10 - 18.4 X 2.5 P	16	
3.12	CSV0330050	O-RING-912 VITON 90D -12MB	4	
3.13	CSV2040070	O-RING-214 VITON 90D -12FL61/62	4	
4	D-0640	CWT CS7 ROTATION CONV 12VDC TO HYDRAULIC	1	

## 3.6 - CS7 ROT CONV 12VDC TO HYD - CSE00058

REMOVE OLD 12VDC ROTATE CONTROL PARTS AS SHOWN

DISCARD O-RINGS AND SCREWS/WASHERS

RESTOCK ITEMS 1-7

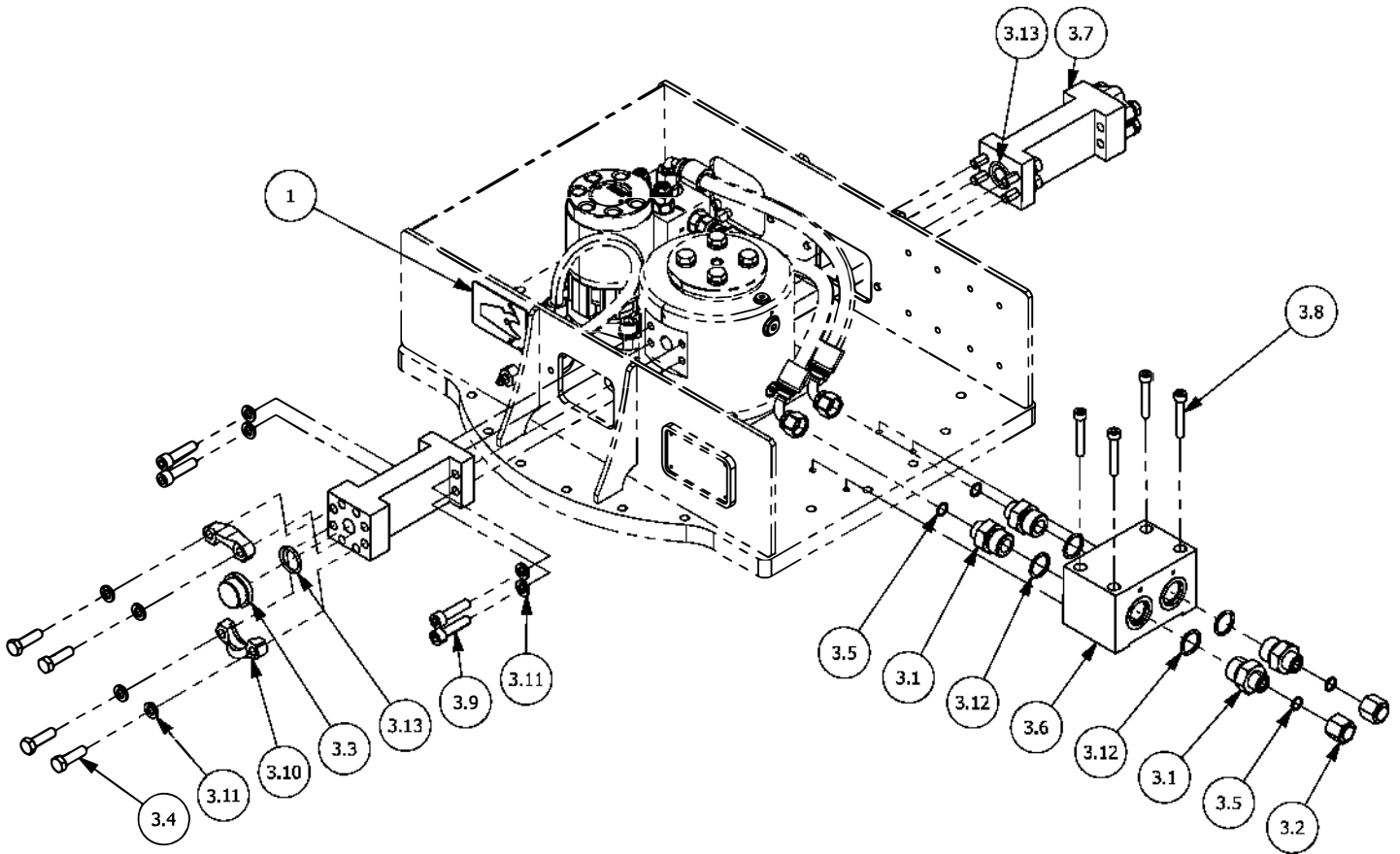


### PARTS TO BE RESTOCKED

ITEM	PN#	NAME	QTY	REMARK
1	CSAUF12MOR0BM	FTG-HYD 12MB-08MO	4	EA
2	CSK0700810	PLATE; COVER	2	EA
3	CSK0701210	ASSY SOLENOID VALVE/BLOCK 12VDC	1	EA
4	CSK0701220	CLOSE SIDE HOSE ASSY	1	EA
5	CSK0701230	OPEN SIDE HOSE ASSY	1	EA
6	CSK0701260	RELAY ASSY 12VDC	1	EA
7	CSSF12F61	SPLIT FLANGE -12FL61	4	EA

## 3.6 - CS7 ROT CONV 12VDC TO HYD - CSE00058

INSTALL NEW HYDRAULIC CONTROL KIT AS SHOWN



LIGHTLY LUBRICATE ALL O-RINGS AND FITTING THREADS WITH HYDRAULIC FLUID PRIOR TO ASSEMBLY.

DO NOT LUBRICATE (3.8) CAP SCREWS.

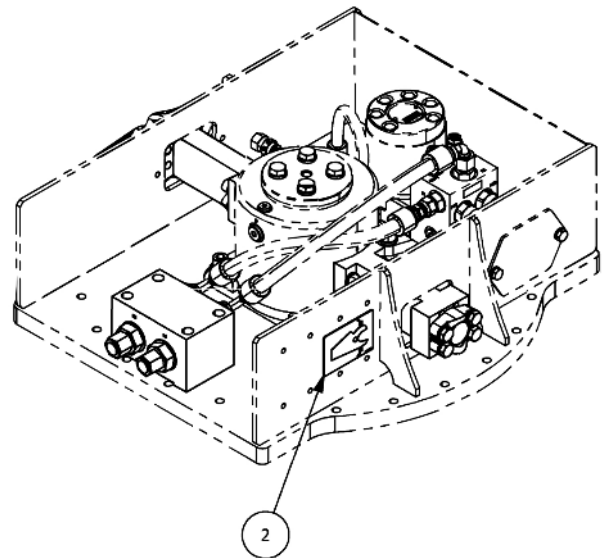
TORQUE SPECS:

(3.4) (3.9) M10 10.9 LUBRICATED 37 FT-LBS (50 Nm)

(3.8) MB 10.9 DRY 28 FT-LBS (38 Nm)

(3.1) TO HOSE/CAP LUBRICATED 41 FT-LBS (55 Nm)

(3.1) TO (3.6) LUBRICATED 136 FT-LBS (185 Nm)



INSTALL DECALS (1) & (2) AS SHOWN OR AS FITS

**CONNECT**<sup>TM</sup>  
**WORK TOOLS**

---

---

**920.238.6657**

*[www.connectworktools.com](http://www.connectworktools.com)*

