
CONNECTTM
WORK TOOLS



Large Series Breaker

Model: CH175

Parts Manual CH-Series



Part #CHE02413

Connect Work Tools - www.connectworktools.com - 920.238.6657

Contact Information - CH175



Connect Work Tools
155 Main Street
Superior, WI 54880

E-mail: info@connectworktools.com
Main Phone: 920-238-6657
Fax: 715-395-3703

Contact your Connect Work Tools Representative or the Connect Work Tools Parts Department for replacement manuals.
Inquiries regarding the content of this manual must include the release date shown below.

Information in this manual is subject to change without advance notice.

Table 1.1 About this manual

Document ID No.	CHE02413
Type	Parts
Release Date	February 2025
Product Name	Hydraulic Breakers
Series	CH
Applicable Models	CHE
Years of Manufacture	2025 & above

Table of Contents - CH175

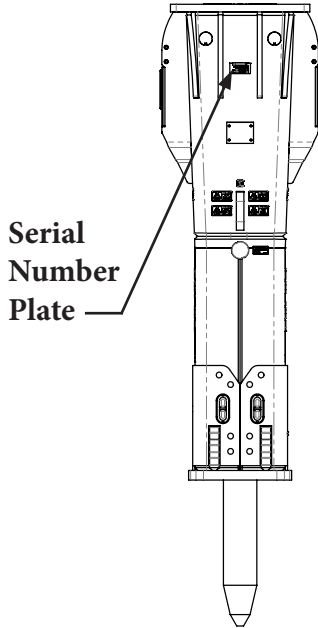
Table of Contents

Contact Information - CH175	3
1.0 Equipment Identification - CH175	
1.1 Location of Serial Number	5
1.2 Owner's Record of Equipment	5
2.0 Decals - CH175	
2.1 Standard Decals	6
2.2 Breaker CH175 Side-Plated Decal Placement	7
3.0 Hammer - CH175	
3.1 Hammer	8
3.2 Accumulator Sub Assembly	10
3.3 Valve Housing Sub Assembly	12
3.3.1 Check Valve Sub Assembly	14
3.3.2 Oper. Valve Sub Assembly	16
3.4 Seal Housing Sub Assembly	18
3.5 Cylinder Sub Assembly	20
3.6 Front Head Sub Assembly	22
3.7 Side Rod Sub Assembly	24
4.0 Housing - CH175	
4.1 Box Housing	26
5.0 Seal Kit - CH175	28
6.0 Rebuild Kits - CH175	30
7.0 Tool Bits - CH175	31
8.0 Tools Nitrogen (N2) Charge Kit - CH175	31
9.0 Hoses - CH175	32
10.0 Mounting Lubricator - Large Series - CH175	33
11.0 Breaker Mounted Lubricator - CH175	34

1.0 Equipment Identification - CH175

1.1 Location of the Serial Number Decal

Models: CH175



The Serial Equipment Identification Decal is affixed to the side of the housing box. It provides the following information:

- Serial Number:
- Model Number:
- Weight:
- Operating Pressure:
- Oil Flow:
- Carrier Relief Pressure:
- Nitrogen:

****Note: Prior to ordering parts, it's important to confirm your model and serial number**

CONNECT™ WORK TOOLS			
Serial Number:	<input type="text"/>		
Model Number:	<input type="text"/>		
Weight:	<input type="text"/>	kg	<input type="text"/>
Operating Pressure:	<input type="text"/>	bar	<input type="text"/>
Oil Flow:	<input type="text"/>	l/min	<input type="text"/>
Carrier Relief Pressure:	<input type="text"/>	bar	<input type="text"/>
Nitrogen:	<input type="text"/>	bar	<input type="text"/>

1.2 Owner's Record of the Equipment

Record the Model and Serial Number from the Serial Equipment Identification Tag to the space provided below. Indicate the date in which the Connect Work Tools equipment was placed into service.

Model CH175: CH175

Serial Number: _____

In Service Date: _____

Your Connect Work Tools representative requires this information to better assist you with questions regarding parts, warranty, operation, maintenance, or repair.

Your equipment must be registered by your local Distributor at the time of sale.

Product Registration Date: _____

2.0 Decals - CH175

All decals pictured are included in decal kits (with exception of No. 10)

2.1 Standard Decals



1. Part Number 16-00076 - Decal Warning Dust



2. Part Number 16-00077 - Decal Warning Flying Objects



3. Part Number 16-00078 - Decal Warning Read Manual



4. Part Number 16-00079 - Decal Warning Noise



5. Part Number 16-00080 - Decal Grease Point



6. Part Number 16-00081 - Decal Warning Safe Distance



7. Part Number CHE00136 - Decal CH175



8. Part Number CHE00385 - Decal Connect Logo CH175



9. Part Number CHE00127 - Decal SN Plate (Not included in Decal Kit)



10. Part Number 16-00082 - Decal Lift Point



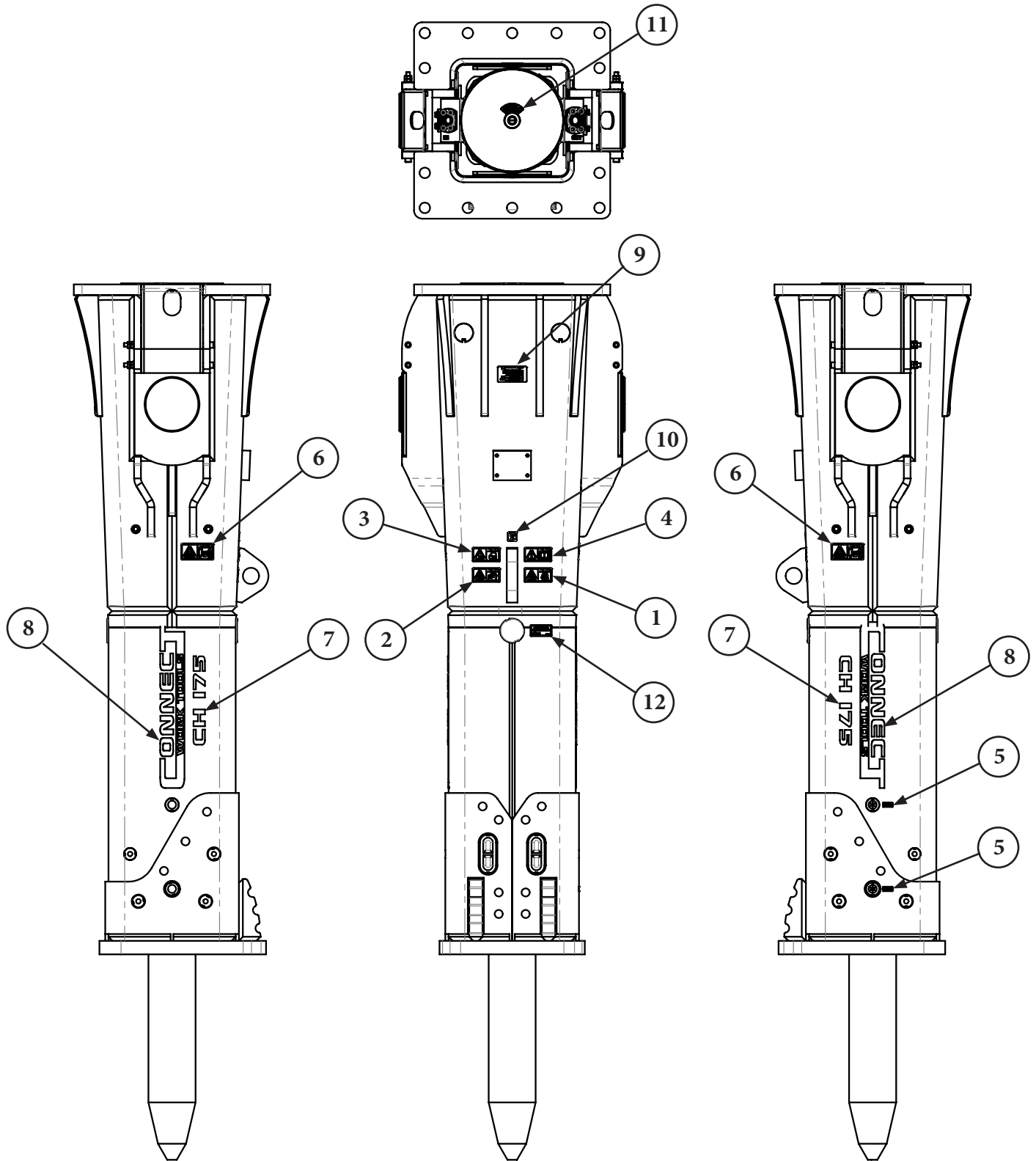
11. Part Number CHE00111 - Decal Warning Nitrogen (N²)



12. Part Number CHE00596 - Decal Warning Anti-Blank Fire (CH100 Model only)

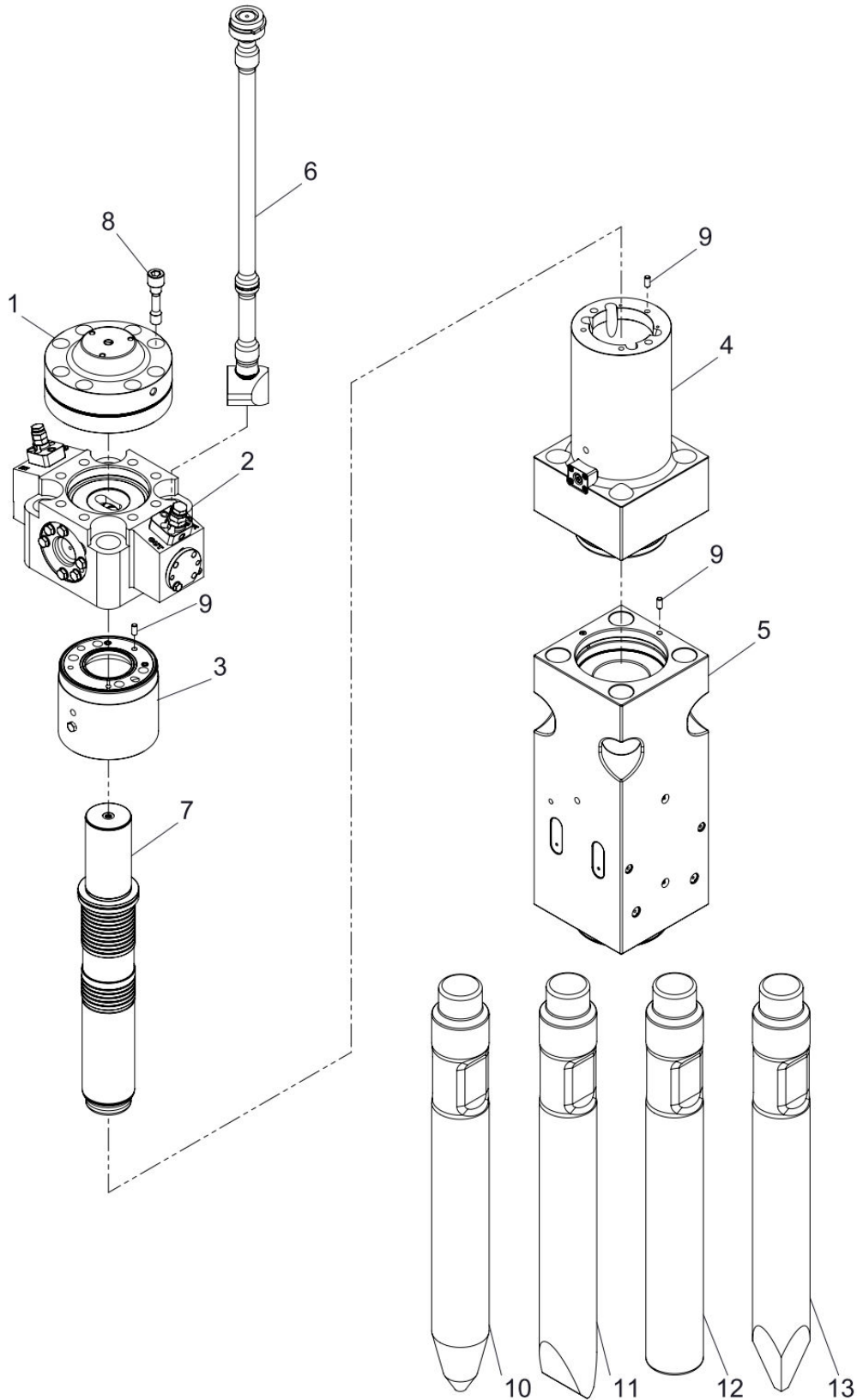
2.0 Decals - CH175

2.2 CH175 Breaker Decal Placement



3.0 Hammer - CH175

3-1. Hammer - (Through: S/N 24G-1416)

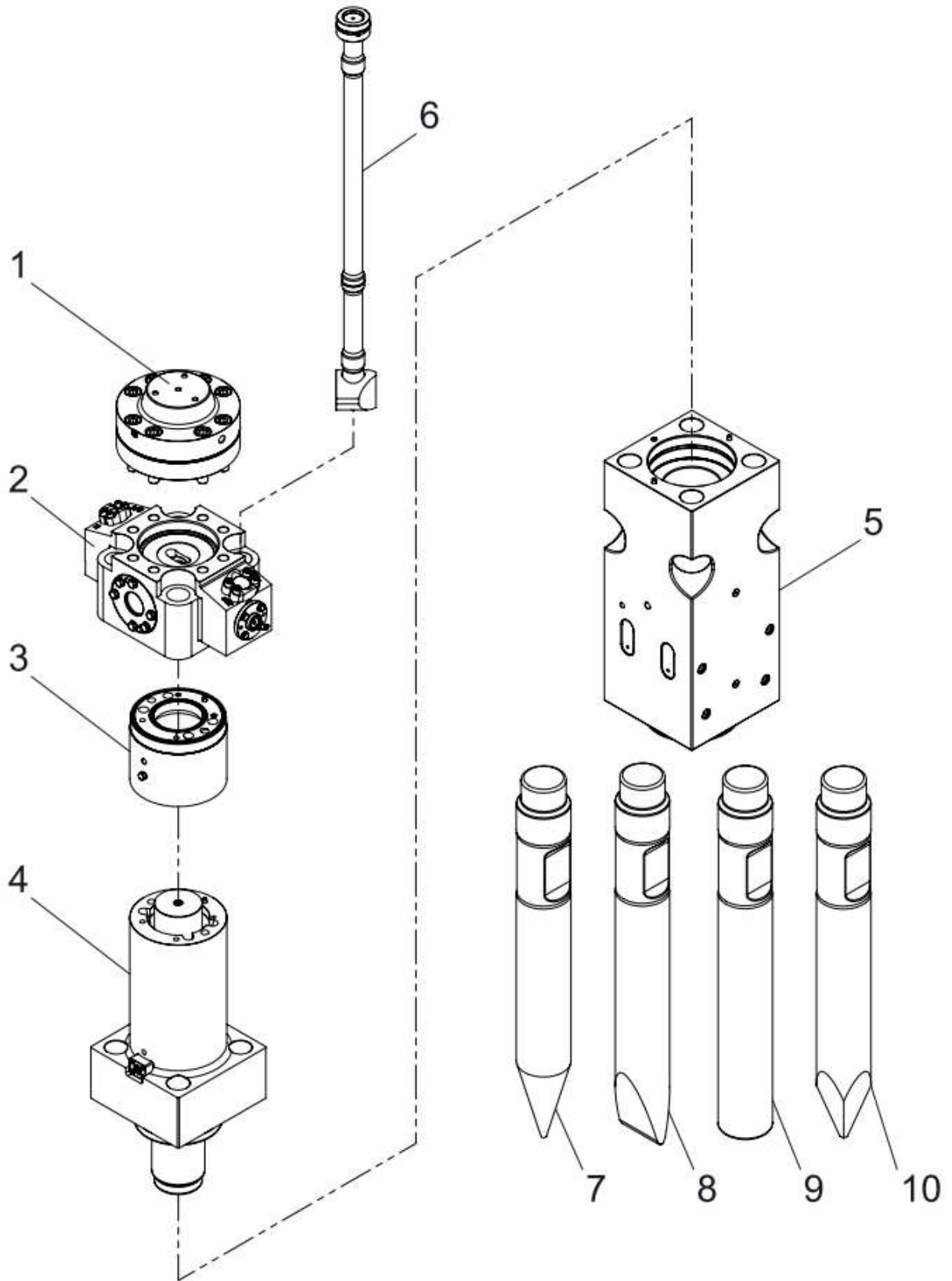


3.0 Hammer - CH175

NO.	PART NO.	PART NAME	QTY	REMARK
	CHD0452	HAMMER TOTAL ASSY	1	
1	CHB500601A	ACC. SUB ASSY	1	
2	CHB500602A	VALVE HOUSING SUB ASSY	1	
3	CHB500603A	SEAL HOUSING SUB ASSY	1	
4	CHB500604B	CYLINDER SUB ASSY	1	
5	CHB500605A	FRONT HEAD SUB ASSY	1	
6	CHB5006130K	SIDE ROD SUB ASSY	4	
7	CHB5006050	PISTON	1	
8	CHB4006100	ACC. COVE BOLT	8	
9	CHB4006310	GUIDE PIN	3	
10	CHB5006460	TOOL-CONE	1	OPTION
11	CHB5006470	TOOL-CHISEL	1	OPTION
12	CHB5006480	TOOL-BLUNT	1	OPTION
13	CHB5006490	TOOL-MOIL	1	OPTION
	CHB500810A	SEAL KIT		

3.0 Hammer - CH175

3-1. Hammer - (Through: S/N 25A-1440)

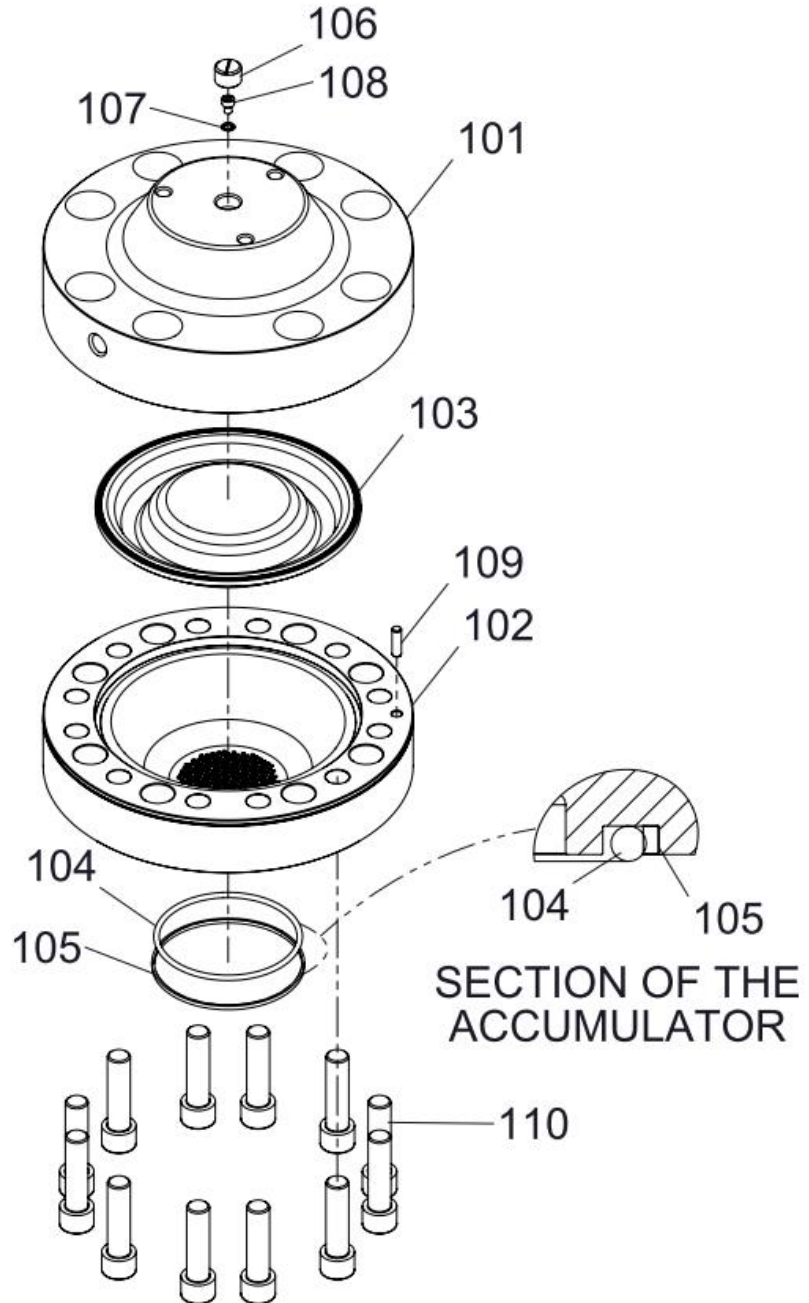


3.0 Hammer - CH175

NO.	PART NO.	PART NAME	QTY	REMARK
	CHD045E	HAMMER TOTAL ASSY	1	
1	CHB5006150	ACC. SUB ASSY	1	
2	CHB500602B	VALVE HOUSING SUB ASSY	1	
3	CHB500603A	SEAL HOUSING SUB ASSY	1	
4	CHB500604B	CYLINDER SUB ASSY	1	
5	CHB500605A	FRONT HEAD SUB ASSY	1	
6	CHB5006130K	SIDE ROD SUB ASSY	4	
7	CHB5006460	TOOL-CONE	1	OPTION
8	CHB5006470	TOOL-CHISEL	1	OPTION
9	CHB5006480	TOOL-BLUNT	1	OPTION
10	CHB5006490	TOOL-MOIL	1	OPTION
	CHB5008000	SEAL KIT		

3.0 Hammer - CH175

3-2. Accumulator Sub Assembly - (Through: S/N 24G-1416)

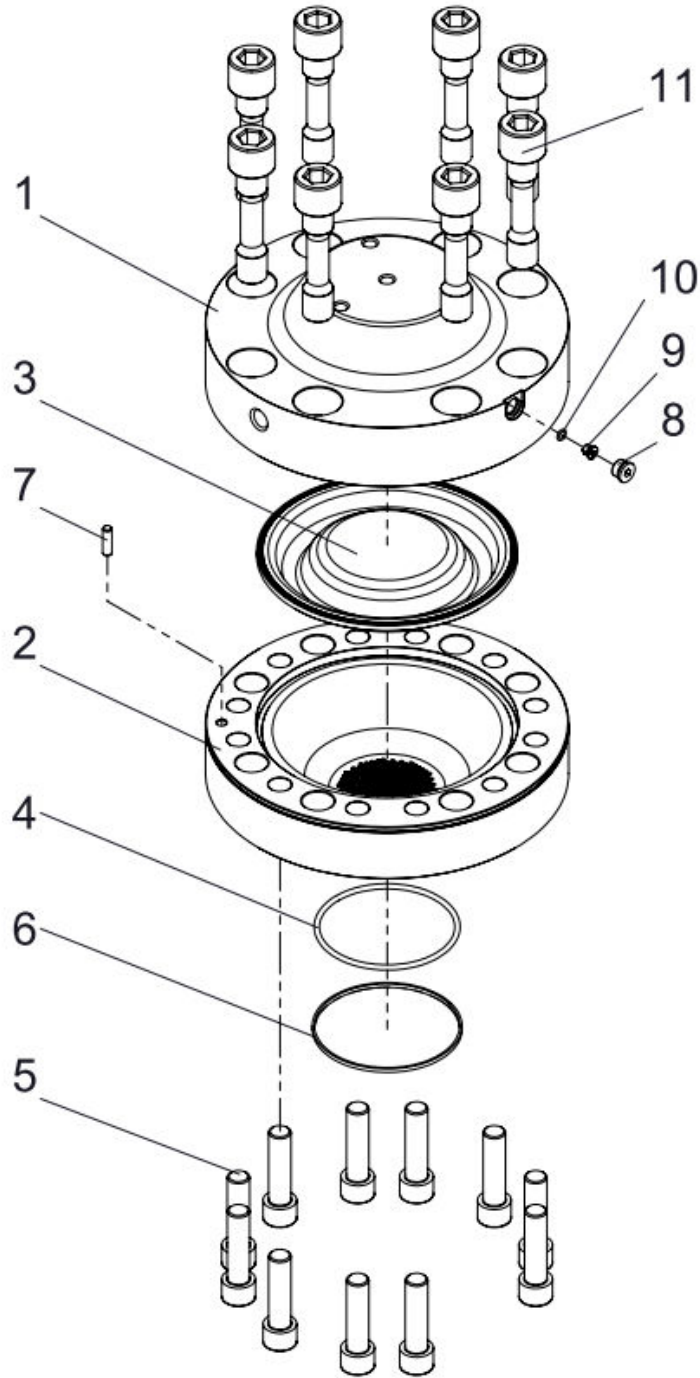


3.0 Hammer - CH175

NO.	PART NO.	PART NAME	QTY	REMARK
	CHB500601A	ACC. SUB ASSY	1	
101	CHB5006020	ACCUMULATOR COVER	1	
102	CHB400603A	ACCUMULATOR BOTTOM	1	
103	CHB4007041	MEMBRANE	1	
104	CHB4007270	O-RING	1	PART OF SEAL KIT
105	CHB4007280	BACK UP RING	1	PART OF SEAL KIT
106	CHB4007010	ACC. CAP	1	
107	CHB4007020	USIT RING	1	PART OF SEAL KIT
108	CHB4006420	ACC.GAS BOLT	1	
109	CHB4006370	GUIDE PIN	1	
110	CHSB2420090	SOCKET BOLT	12	

3.0 Hammer - CH175

3-2. Accumulator Sub Assembly - (From: S/N 25A-1440)

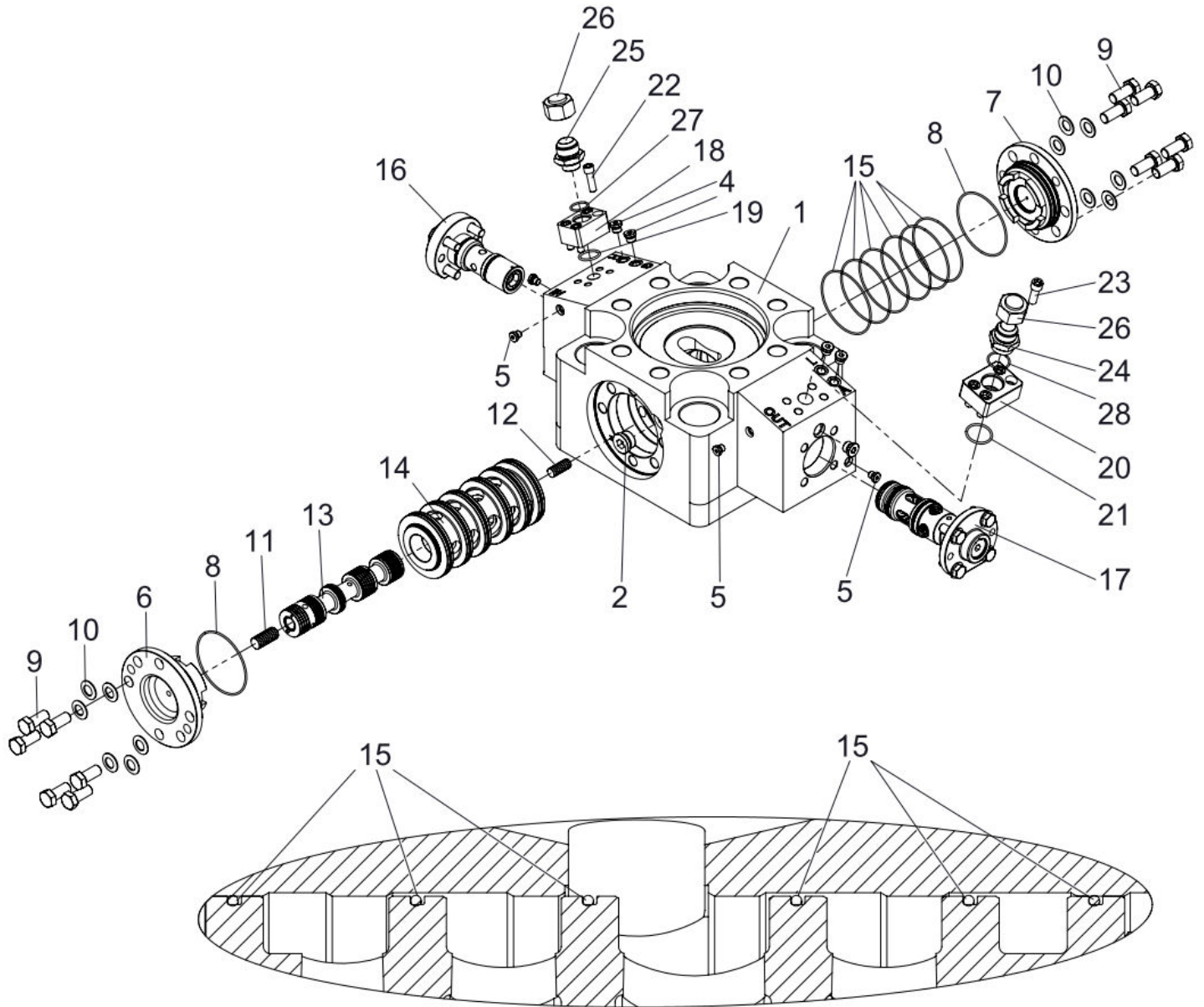


3.0 Hammer - CH175

NO.	PART NO.	PART NAME	QTY	REMARK
	CHB3206100	ACC. SUB ASSY	1	
1	CHB3206110	ACCUMULATOR COVER	1	
2	CHB300603A	ACCUMULATOR BOTTOM	1	
3	CHB300704U	MEMBRANE	1	
4	CHB4007270	O-RING	1	PART OF SEAL KIT
5	CHSB2215075	SOCKET BOLT	11	
6	CHB4007280	BACK-UP RING	1	PART OF SEAL KIT
7	CHB4006370	GUIDE PIN	1	
8	CHAS066260	HOLLOW HEX PLUG	1	
9	CHB1606520	PLUG BLEED	1	
10	CHB2507240	O-RING	1	PART OF SEAL KIT
11	CHB4006100	ACCUMULATOR COVER BOLT	8	

3.0 Hammer - CH175

3-3. Valve Housing Sub Assembly



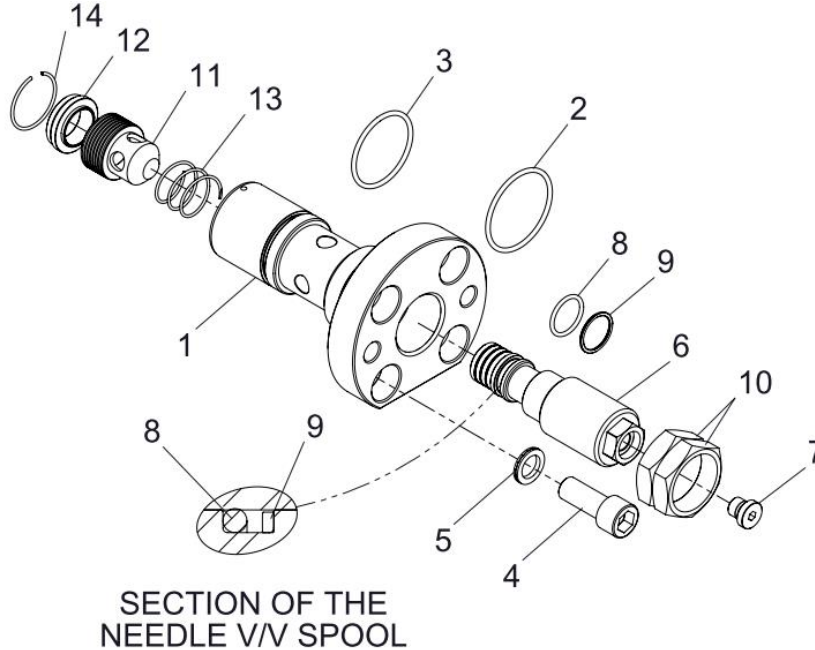
SECTION OF THE SLEEVE

3.0 Hammer - CH175

NO.	PART NO.	PART NAME	QTY	REMARK
	CHB500602A	VALVE HOUSING SUB ASSY	1	<i>Through: 24G-1416</i>
	CHB500602B	VALVE HOUSING SUB ASSY	1	<i>From: 25A-1440</i>
1	CHB5006520	VALVE HOUSING	1	
2	CHB4006520	SOCKET PLUG	1	
3	CHB4006530	SOCKET PLUG	1	
4	CHB4006910	SOCKET PLUG	4	
5	CHB4006450	SOCKET PLUG	4	
6	CHB4006150	SLEEVE COVER 1	1	
7	CHB4006240	SLEEVE COVER 2	1	
8	CHB4007120	O-RING	2	PART OF SEAL KIT
9	CHHB2015045	HEX. BOLT	12	
10	CHCW200000	CONICAL WASHER	12	
11	CHB4006250	SPOOL 1	1	
12	CHB4006160	SPOOL 2	1	
13	CHB4006170	MAIN SPOOL	1	
14	CHB4006180	SLEEVE	1	
15	CHB4007070	O-RING	6	PART OF SEAL KIT
16	CHB280606A	NEEDLE VALVE SUB ASSY	1	
17	CHB500606A	OPER VALVE SUB ASSY	1	<i>Through: 24G-1416</i>
17	CHB4008300	OPER VALVE SUB ASSY	1	<i>From: 25A-1440</i>
18	CHB3006670	FLANGE	1	OPTION
19	CHB4007050	O-RING	1	OPTION
20	CHB3006660	FLANGE	1	OPTION
21	CHB4007060	O-RING	1	OPTION
22	CHSB1217040	SOCKET BOLT	4	OPTION
23	CHSB1420040	SOCKET BOLT	4	OPTION
24	CHAUF20MJC20M	ADAPTER	1	OPTION
25	CHAUF16MJC20M	ADAPTER	1	OPTION
26	CHCJC20F	UNION CAP	2	OPTION
27	CHV4300010	O-RING	1	OPTION
28	CHA3007390	O-RING		OPTION

3.0 Hammer - CH175

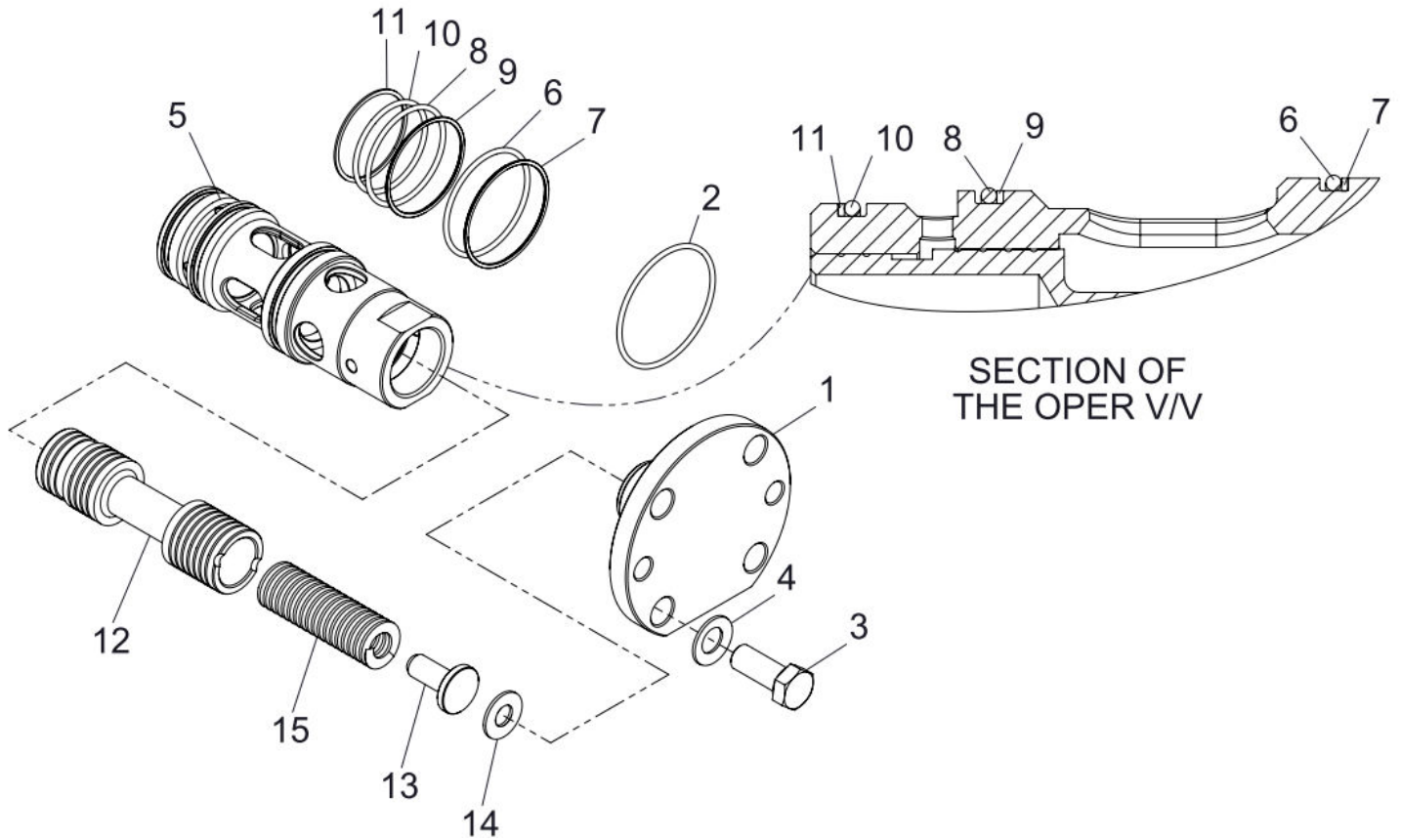
3-3-1. Needle Valve Sub Assembly



NO.	PART NO.	PART NAME	QTY	REMARK
	CHB280606A	NEEDLE VALVE SUB ASSY	1	
1	CHB6006910	NEEDLE VALVE HOUSING	1	
2	CHB4007190	O-RING	1	PART OF SEAL KIT
3	CHB2507200	O-RING	1	PART OF SEAL KIT
4	CHSB1620040	SOCKET BOLT	4	
5	CHNDLW1600	NORD LOCK WASHER	4	
6	CHB6006920	NEEDLE VALVE SPOOL	1	
7	CHB4006450	SOCKET PLUG	1	
8	CHB4007260	O-RING	1	PART OF SEAL KIT
9	CHB3206940	BACKUP RING	1	PART OF SEAL KIT
10	CHB6006930	NUT	2	
11	CHB4006220	CHECK VALVE SPOOL	1	
12	CHB4006230	CHECK V/V SPRING GUIDE	1	
13	CHB4006480	CHECK VALVE SPRING	1	
14	CHB4006490	LOCK RING	1	

3.0 Hammer - CH175

3-3-2. Oper Valve Sub Assembly - (Through: S/N 24G-1416)

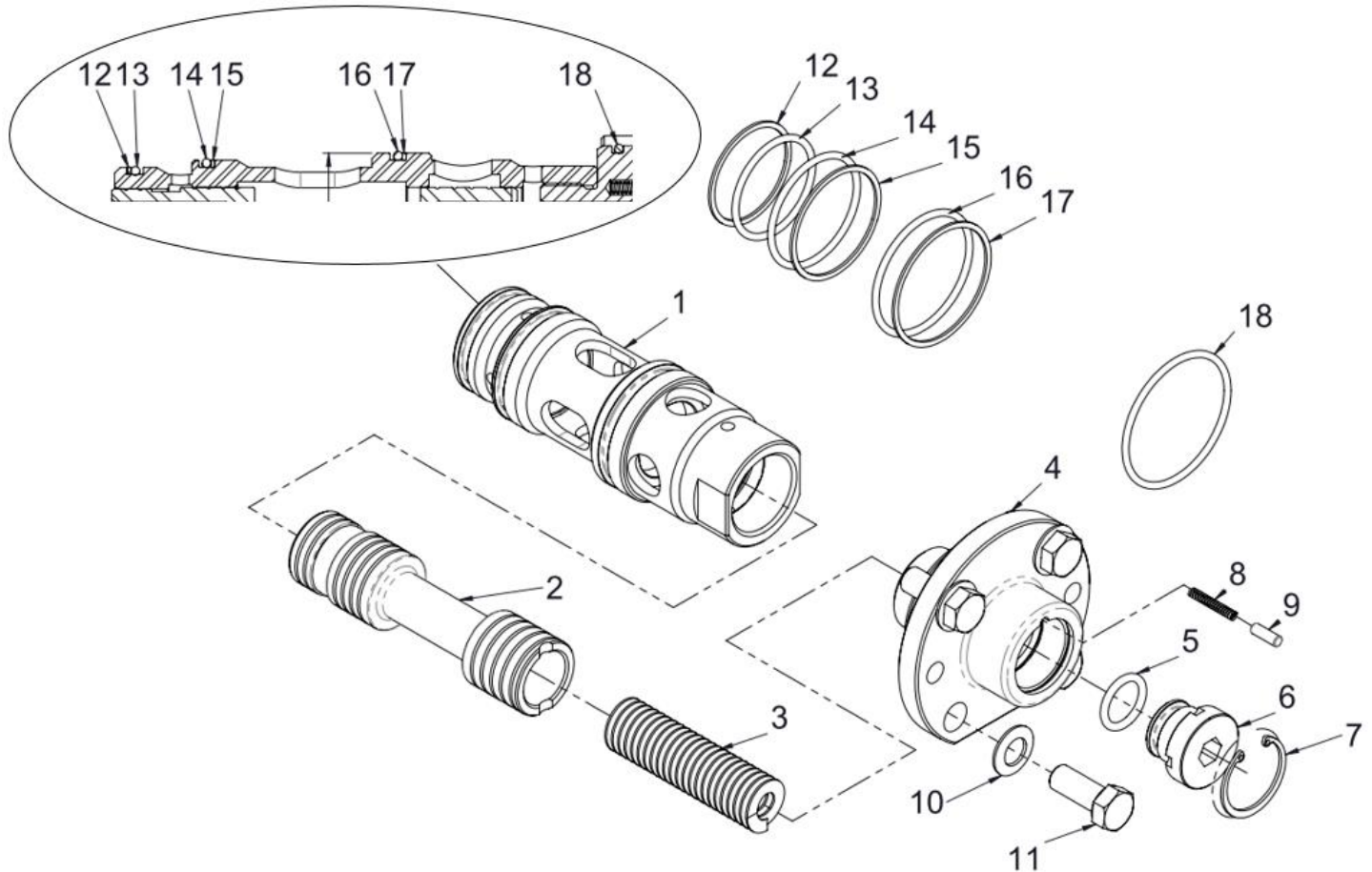


3.0 Hammer - CH175

NO.	PART NO.	PART NAME	QTY	REMARK
	CHB500606A	OPER. VALVE SUB ASSY	1	
1	CHB4006300	OPERATING VALVE COVER	1	
2	CHB4007240	O-RING	1	PART OF SEAL KIT
3	CHHB1620040	HEX. BOLT	4	
4	CHCW160000	CONICAL WASHER	4	
5	CHB4006260	OPERATING VALVE GUIDE	1	
6	CHB4007220	O-RING	1	PART OF SEAL KIT
7	CHB6007370	BACK UP RING	1	PART OF SEAL KIT
8	CHB4007200	O-RING	1	PART OF SEAL KIT
9	CHB6007360	BACK UP RING	1	PART OF SEAL KIT
10	CHB4007190	O-RING	1	PART OF SEAL KIT
11	CHB6007350	BACK UP RING	1	PART OF SEAL KIT
12	CHB4006270	OPER. VALVE SPOOL	1	
13	CHB4006280	OPER. VALVE SPRING GUIDE	1	
14	CHB4006440	SHIM PLATE	1	
15	CHB4006890	OPER. VALVE SPRING	1	

3.0 Hammer - CH175

3-3-2. Oper Valve Sub Assembly - (From: S/N 25A-1440)

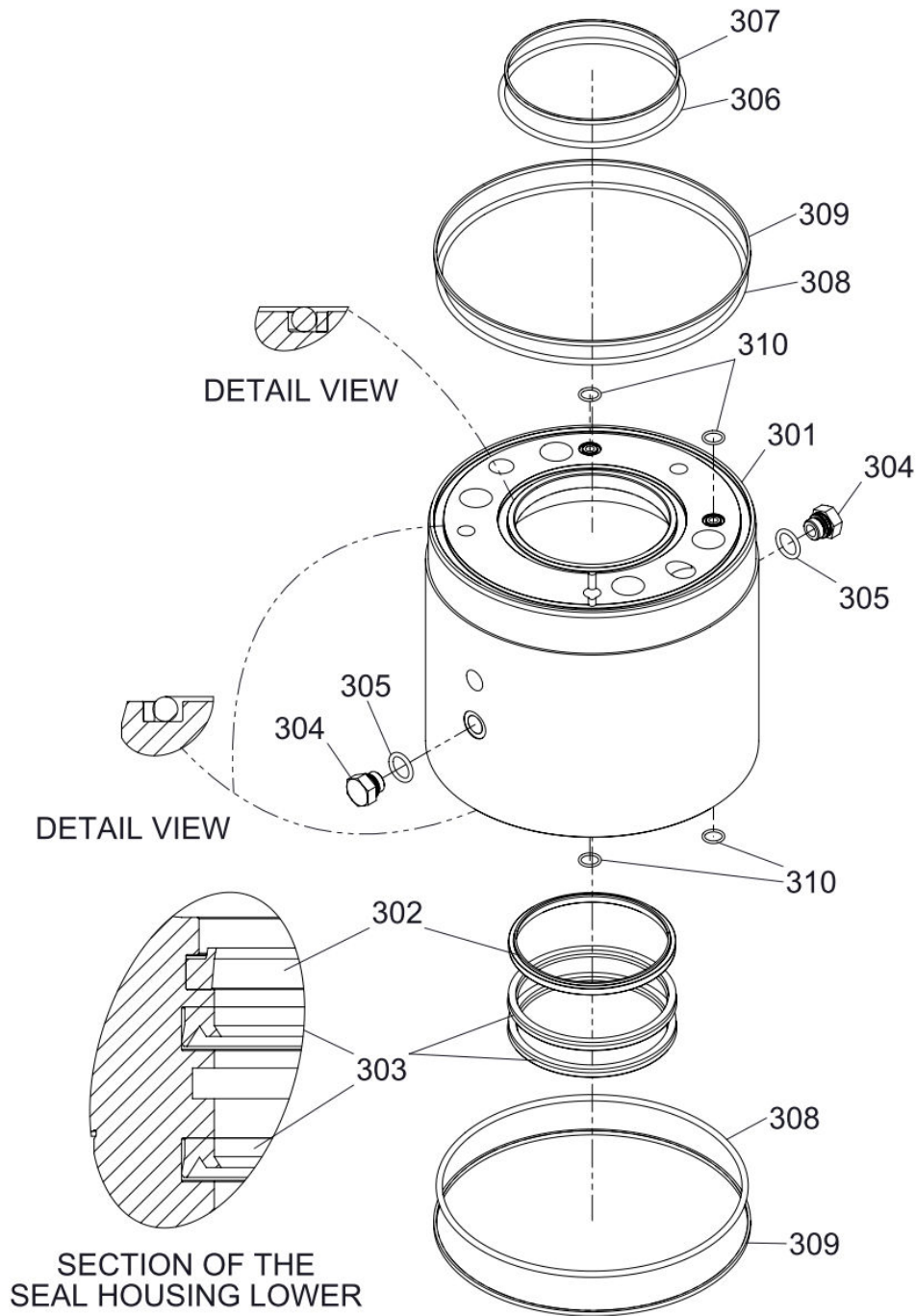


3.0 Hammer - CH175

NO.	PART NO.	PART NAME	QTY	REMARK
	CHB4008300	OPER. VALVE SUB ASSY	1	
1	CHB4006260	OPER. VALVE GUIDE	1	
2	CHB4008320	OPER. VALVE SPOOL	1	
3	CHB4008330	OPER. VALVE SPRING	1	
4	CHB4008310	OPER. VALVE COVER	1	
5	CHV2040070	O-RING	1	PART OF SEAL KIT
6	CHB4008340	SCREW ADJUSTER	1	
7	CHB4008350	RING RETAINER	1	
8	CHN4007860	SPRING	1	
9	CHB2508340	DOWEL	1	
10	CHCW160000	CONICAL WASHER	4	
11	CHHB1620040	HEX BOLT	4	
12	CHB6007350	BACK-UP RING	1	PART OF SEAL KIT
13	CHB4007190	O-RING	1	PART OF SEAL KIT
14	CHB4007200	O-RING	1	PART OF SEAL KIT
15	CHB6007360	BACK-UP RING	1	PART OF SEAL KIT
16	CHB4007220	O-RING	1	PART OF SEAL KIT
17	CHB6007370	BACK-UP RING	1	PART OF SEAL KIT
18	CHB4007240	O-RING	1	PART OF SEAL KIT

3.0 Hammer - CH175

3-4 Seal Housing Sub Assembly

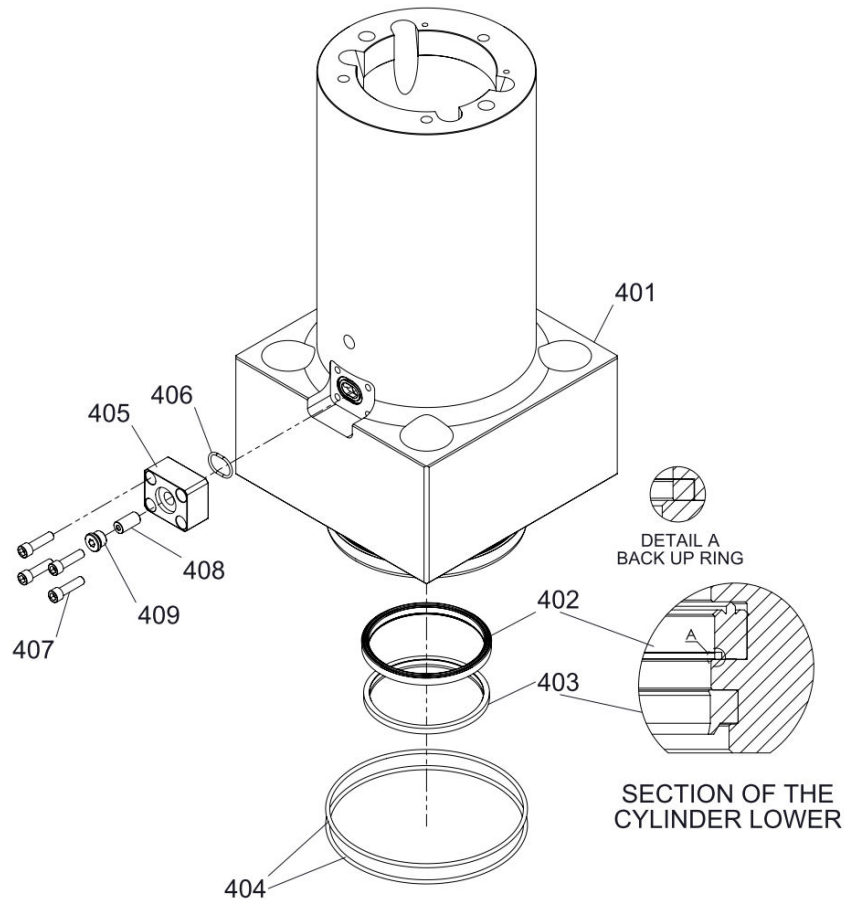


3.0 Hammer - CH175

NO.	PART NO.	PART NAME	QTY	REMARK
	CHB500603A	SEAL HOUSING SUB ASSY	1	
301	CHB5006040	SEAL HOUSING	1	
302	CHB5007140	WIPER	1	PART OF SEAL KIT
303	CHB5007150	SEAL	2	PART OF SEAL KIT
304	CHB2006870	AIR VENT PLUG	2	
305	CHB0407150	O-RING	2	PART OF SEAL KIT
306	CHB4007080	O-RING	1	PART OF SEAL KIT
307	CHB4007090	BACK-UP RING	1	PART OF SEAL KIT
308	CHB4007350	O-RING	2	PART OF SEAL KIT
309	CHB4007110	BACK-UP RING	2	PART OF SEAL KIT
310	CHB4007310	O-RING	4	PART OF SEAL KIT

3.0 Hammer - CH175

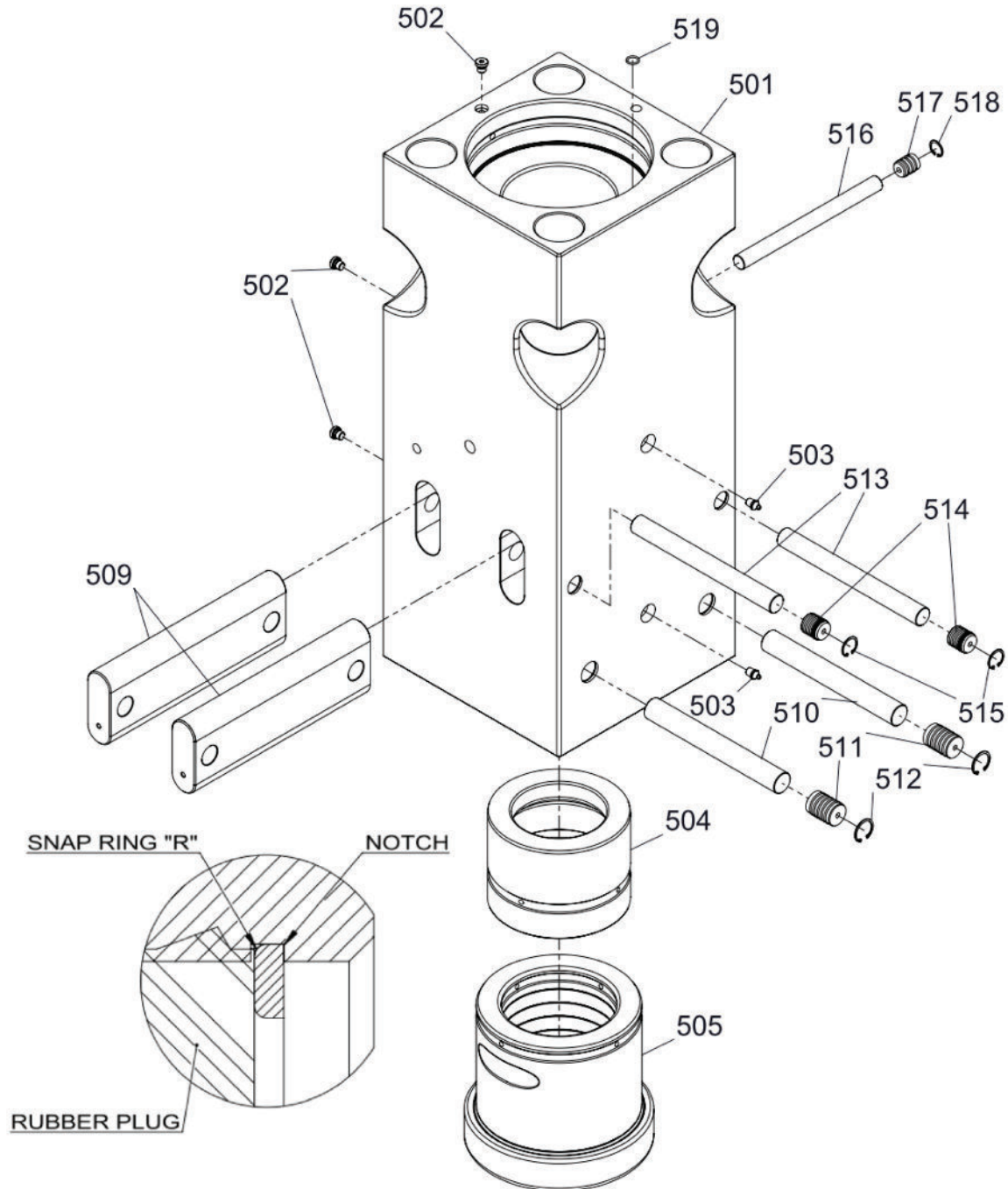
3-5. Cylinder Sub Assembly



NO.	PART NO.	PART NAME	QTY	REMARK
	CHB500604B	CYLINDER SUB ASSY	1	
401	CHB5006510	CYLINDER	1	
402	CHB4007160	SEAL	1	PART OF SEAL KIT
403	CHB4007170	WIPER	1	PART OF SEAL KIT
404	CHB4007130	O-RING	2	PART OF SEAL KIT
405	CHB2806360	STOP VALVE	1	
406	CHA3206550	O-RING	1	PART OF SEAL KIT
407	CHSB1217045	SOCKET BOLT	4	
408	CHB1406790	ASO PIN	1	
409	CHA1206780	METRIC HOLLOW HEX PLUG	1	

3.0 Hammer - CH175

3-6. Front Head Sub Assembly

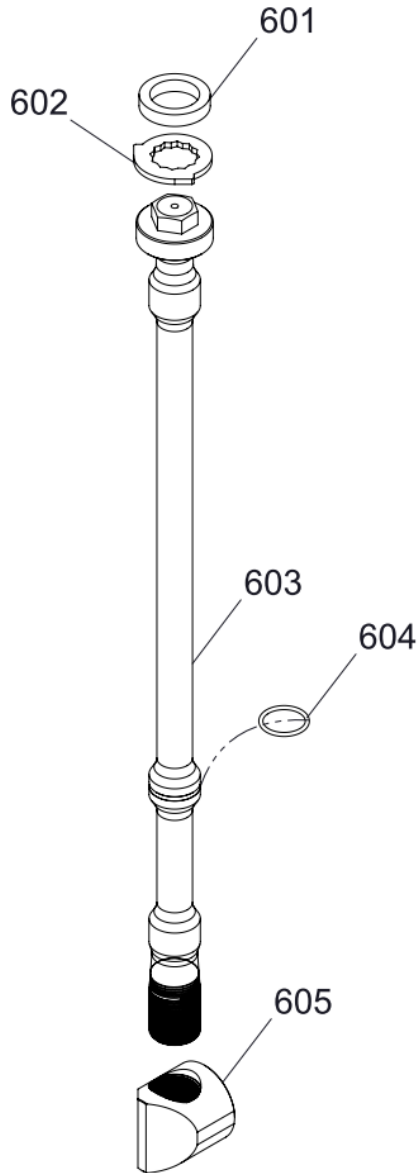


3.0 Hammer - CH175

NO.	PART NO.	PART NAME	QTY	REMARK
5	CHB500605A	FRONT HEAD SUB ASSY	1	
501	CHB5006450	FRONT HEAD	1	
502	CHB4006450	SOCKET PLUG	3	
503	CHB4006560	GREASE NIPPLE	2	
504	CHB5006080	UPPER BUSHING	1	
505	CHB5006360	TOOL BUSHING	1	
509	CHB5006340	SEAL	1	
510	CHB4006350	TOOL PIN	2	
511	CHB4006580	BUSHING PIN	4	
512	CHB4006570	SNAP RING	4	
513	CHB5006410	BUSHING PIN	4	
514	CHB3006580	RUBBER PLUG	2	
515	CHB3006570	SNAP RING	2	
516	CHB5006420	BUSHING PIN	1	
517	CHB1806580	RUBBER PLUG	1	
518	CHB1806570	SNAP RING	1	
519	CHB4007310	O-RING	1	PART OF SEAL KIT

3.0 Hammer - CH175

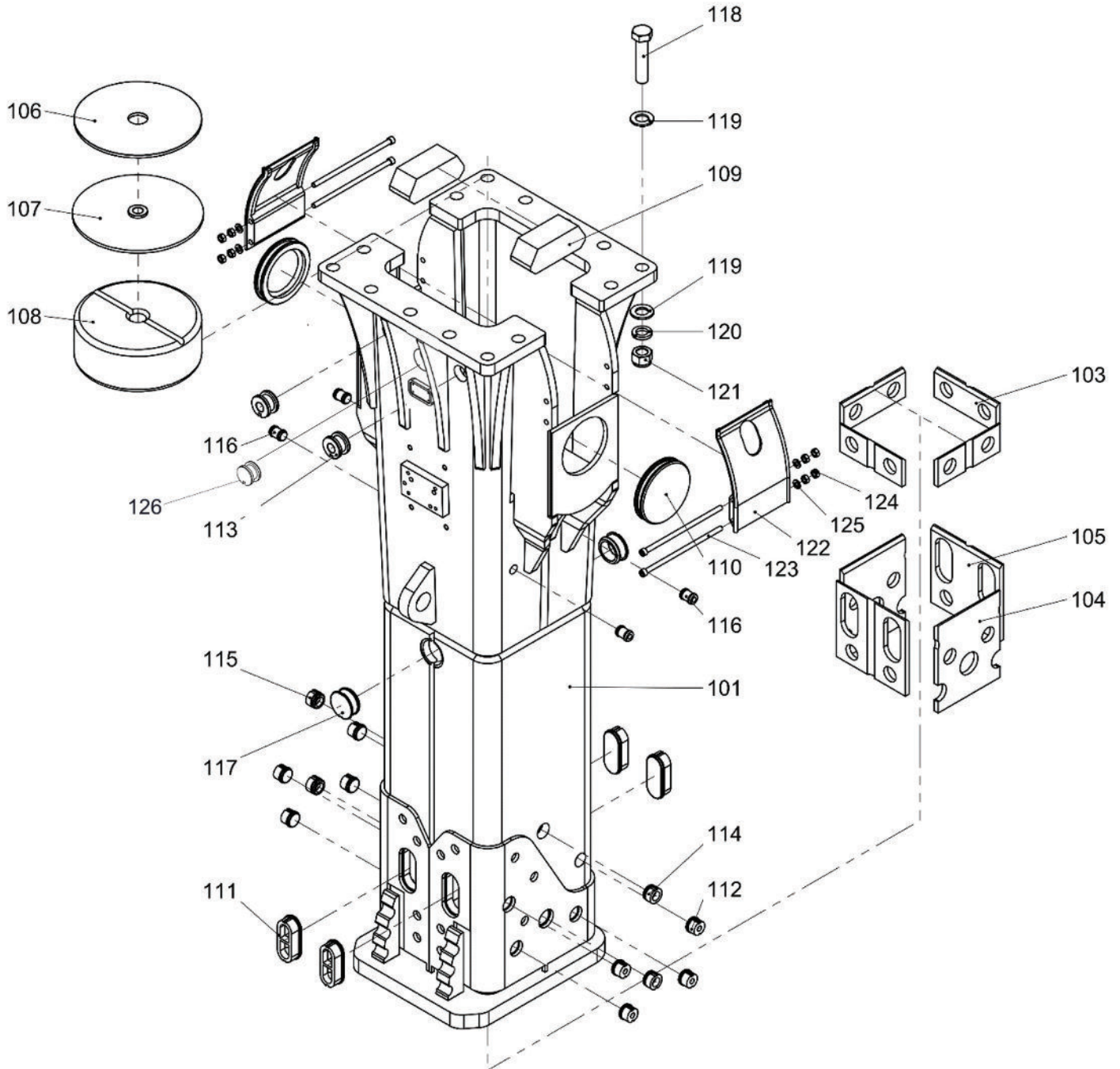
3-7. Side Rod Sub Assembly



NO.	PART NO.	PART NAME	QTY	REMARK
	CHB5006130K	SIDE ROD SUB ASSY	4	
601	CHB4007030	RUBBER RING	1	
602	CHB4006110	LOCK WASHER	1	
603	CHB5006130	SIDE ROD	1	
604	CHB5007250	O-RING	1	PART OF SEAL KIT
605	CHB5006140	SIDE ROD NUT	1	

4.0 Housing - CH175

4-1. R- Box Housing



4.0 Housing - CH175

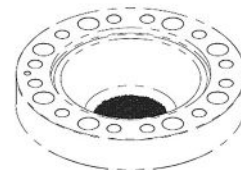
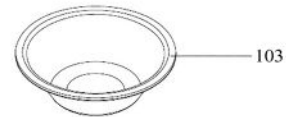
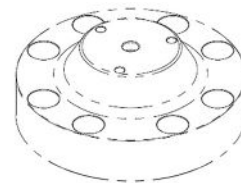
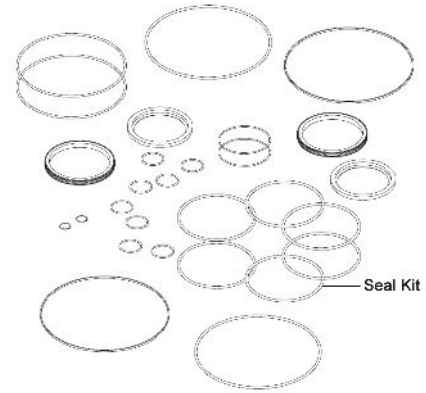
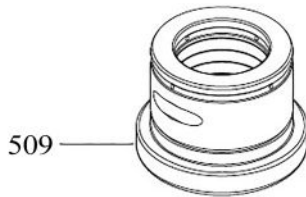
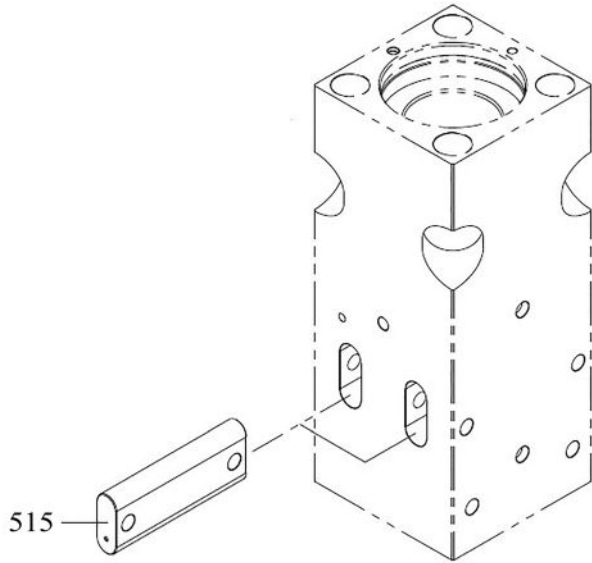
NO.	PART NO.	PART NAME	QTY	REMARK
	CHB5005300	HOUSING TOTAL ASSY	1	
101	CHB5005310	HOUSING WELD ASSY	1	
103	CHB300A030	WEARING PLATE	2	
104	CHB5000030	WEARING PLATE	4	
105	CHB5000070	WEARING PLATE	2	
106	CHB4000160	TOP WEARING PLATE	1	
107	CHB4000070	TOP PLATE ASSY	1	
108	CHB3200030	TOP BUFFER	1	
109	CHB4000090	SIDE BUFFER	2	
110	CHB4000100	RUBBER	2	
111	CHB4000110	RUBBER	4	
112	CHB4000120	RUBBER	2	
113	CHB400W27A	RUBBER	8	
114	CHB3200040	RUBBER GREASE	4	
115	CHB3200050	RUBBER PLUG	2	
116	CHB4000140	RUBBER PLUG	2	
117	CHB1601460	RUBBER PLUG	2	
118	CHHB3640160	HEX. BOLT	2	
119	CHPW360000	PLAIN WASHER	4	
120	CHSW360000	SPRING WASHER	4	
121	CHNN364000	NYLON NUT	8	
122	CHB5000150	PORT COVER	14	
123	CHSB1420320	SOCKET BOLT	28	
124	CHHN142000	HEX. BOLT	14	
125	CHPW140000	PLAIN WASHER	14	
126	CHB400W270	RUBBER PLUG	2	

5.0 Seal Kits - CH175

ITEM	ILLUSTRATION	QTY	DESCRIPTION	PART NUMBER	ASSEMBLY AREA
		1	SEAL KIT	CHB500810AHX	
1	246	1	O - RING	CHB4007050	FLANGE (IN)
2	249	1	O - RING	CHB4007060	FLANGE (OUT)
3	208	2	O - RING	CHB4007120	SLEEVE COVER 1,2
4	306	1	O - RING	CHB4007080	SEAL HOUSING
5	307	1	BACK UP RING	CHB4007090	ACC. BOTTOM
6	309	2	BACK UP RING	CHB4007110	SEAL HOUSING
7	404	2	O - RING	CHB4007130	CYLINDER
8	302	1	WIPER	CHB5007140	SEAL HOUSING
9	305	2	O - RING	CHB0407150	SEAL HOUSING
10	402	1	SEAL	CHB4007160	CYLINDER
11	403	1	WIPER	CHB4007170	CYLINDER
12	240	1	BACK UP RING	CHB6007350	OPER. V/V GUIDE
13	239/217	2	O - RING	CHB4007190	OPER. V/V GUIDE, Needle V/V
14	237	1	O - RING	CHB4007200	OPER. V/V GUIDE
15	238	1	BACK UP RING	CHB6007350	OPER. V/V GUIDE
16	235	1	O - RING	CHB4007220	OPER. V/V GUIDE
17	236	1	BACK UP RING	CHB6007370	OPER. V/V GUIDE
18	231	1	O - RING	CHB4007240	OPER. V/V COVER
19	604	4	O - RING	CHB5007250	SIDE ROD
20	107	1	USIT RING	CHB4007020	ACC. COVER
21	104	1	O - RING	CHB4007270	ACC. BOTTOM
22	105	1	BACK UP RING	CHB4007280	ACC. BOTTOM
23	218	1	O - RING	CHB2507200	NEEDLE V/V
24	310/520	5	O - RING	CHB4007310	SEAL HOUSING, CYLINDER
25	215	6	O - RING	CHB4007070	SLEEVE
26	223	1	O - RING	CHB4007260	NEEDLE V/V
27	224	1	BACK UP RING	CHB3206940	NEEDLE V/V
28	305	2	O - RING	CHB0407150	AIR VENT PLUG
29	408	1	O - RING	CHA3206550	CYLINDER / STOP VALVE
30	409	1	O - RING	CHB1807310	CYLINDER / ADJUST BOLT
31	410	1	BACK UP RING	CHA3007160	CYLINDER / ADJUST BOLT
32	509	1	WIPER	CHB5007340	TOOL BUSHING(OPTION)
33	308	2	O - RING	CHB4007350	SEAL HOUSING
34	238	1	BACK UP RING	CHB6007360	OPER. V/V GUIDE
35	303	2	SEAL	CHB5007150	SEAL HOUSING

6.0 Rebuild Kits - CH175

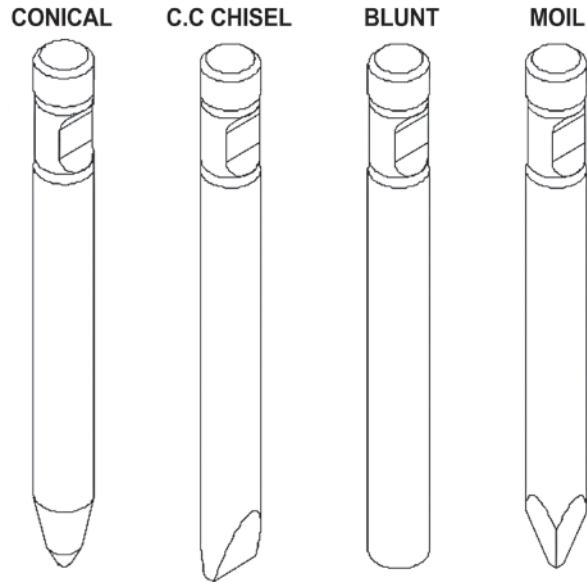
6.1 Rebuild Kits



REBUILD KIT - CH175			
ITEM	QTY	DESCRIPTION	PART NUMBER
	1	KIT	CHTKD045EXO
515	2	TOOL PIN	CHB5006340
509	1	TOOL BUSHING	CHB5006360
103	1	MEMBRANE	CHB300704A
	1	SEAL KIT	CHB500810AHX

7.0 Tool Bits - CH175

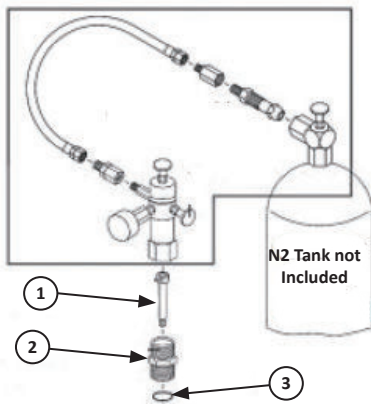
7.1 Tool Bits



TOOL BITS - CH175

TOOL TYPE	PART NUMBER
CONICAL	CHB5006460
CHISEL	CHB5006470
BLUNT	CHB5006480
MOIL	CHB5006490

8.0 Tools Nitrogen (N²) Charge Kit - CH175



NITROGEN CHARGE KIT
Part Number: CHT0006

TOOLING NITROGEN (N₂) CHARGE KIT

ITEM	PART NUMBER	DESCRIPTION	QTY
	CHTBMS0001	N2 CHARGE KIT	1
1	CHBM1C60052	CHARGE TOOL SOCKET HEAD BOLT	1
2	CH1G020026	CHARGE TOOL ADAPTER	1
3	CGA2507380	O-RING	1

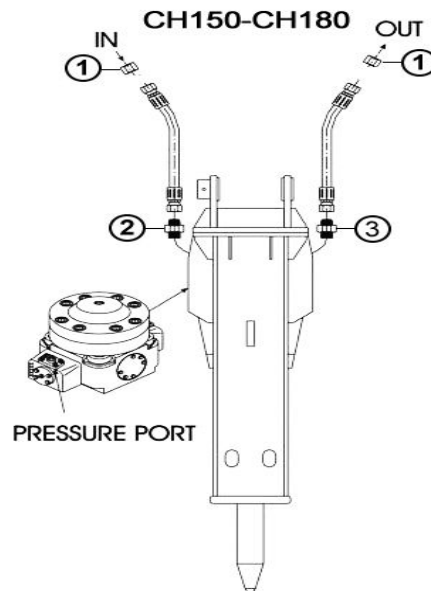
9.0 Hoses - CH175

MODEL	HOSE CHART - CH175				
	PART NUMBER	LENGTH	DIA. / PSI	FITTING 1	FITTING 2
CH175	40-02172	102"	1.25"/3000	20FJSW	20FJSW

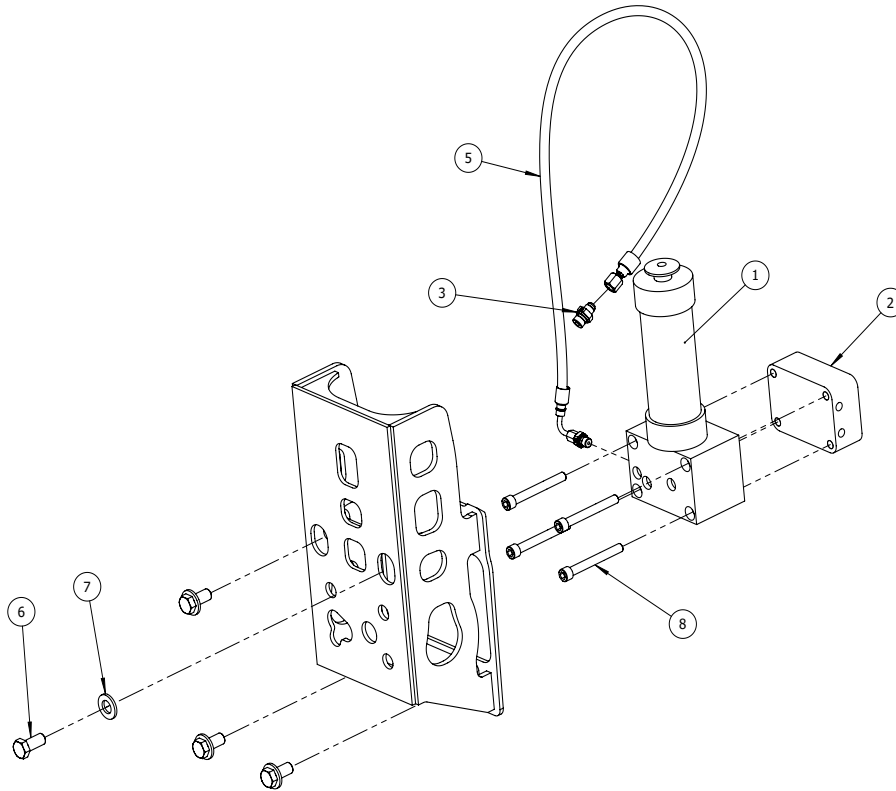
MODEL	HOSE PLUGS - CH175		
	PART NUMBER	ITEM	DESCRIPTION
CH175	CHE00200	1	Plug 20 JIC 37 Degree

MODEL	HOSE ADAPTORS - INLET BREAKER PORT				
	ADAPTOR PN #	ITEM	FLANGE	INLET ADAPTOR	HOSE / CARRIER
CH175	CHE00203	2	CHB1506670	-16 SAE ORB	-20 JIC

MODEL	HOSE ADAPTORS - OUTLET BREAKER PORT				
	ADAPTOR PN #	ITEM	FLANGE	OUTLET ADAPTOR	HOSE / CARRIER
CH175	CHE00204	3	CHC3006660	-20 SAE ORB	-20 JIC



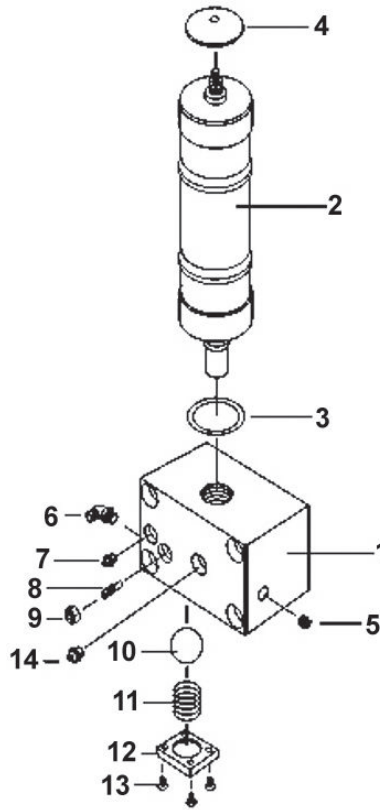
10.0 Mounted Lubricator - Large Series - CH175



MOUNTED LUBRICATOR - CH175

ITEM	QTY	DESCRIPTION	PN#
1	1	AUTO GREASE PUMP(U)/500ML	CHAGRU0500
2	1	GREASE PUMP PLATE BML WELD-ON	CHB2003550
3	2	ADAPTER	CHBHSSG102
4	1	WLDT BML LUBE GUARD	CHE01091
5	1	PLUMBING KIT BML CH110-CH175	CHE01743
6	4	HEX BOLT	CHHB1620035
7	4	WASHER M16 - 25.4 X 3.4 P_	CHPW160000
8	4	SH CS M12 - 1.75 X 100 B_12.9	CHSB1217100

11.0 Breaker Mounted Lubricator - CH175



BREAKER MOUNTED LUBRICATOR

ITEM	PARTS NO.	DESCRIPTION
	CHAGRU0500	PUMP
1	CHHLU-0300	11U-BODY
2	CHHL0101	RECHARGEABLE CARTRIDGE
3	CHHL0041	O-RING
4	CHHL0810	HANDLE
5	CHHL0920	PLUG
6	CHHL0360	ZERK
7	CHHNG18	ZERK -GREASE
8	CHHL0240	ADJUSTER
9	CHHNM1201	NUT
10	CHHL0350	BALL
11	CHHL0220	SPRING
12	CHHL0330	COVER
13	CHJBM0615	BOLT
14	CHHNG18	ZERK-GREASE

CONNECTTM
WORK TOOLS

920.238.6657

www.connectworktools.com

