
CONNECTTM
WORK TOOLS



Large Series Breaker

Model: CH150

Parts Manual CH-Series



Part #CHE02411

Connect Work Tools - www.connectworktools.com - 920.238.6657

Contact Information - CH150



Connect Work Tools
155 Main Street
Superior, WI 54880

E-mail: info@connectworktools.com
Main Phone: 920-238-6657
Fax: 715-395-3703

Contact your Connect Work Tools Representative or the Connect Work Tools Parts Department for replacement manuals.
Inquiries regarding the content of this manual must include the release date shown below.

Information in this manual is subject to change without advance notice.

Table 1.1 About this manual

Document ID No.	CHE02411
Type	Parts
Release Date	February 2025
Product Name	Hydraulic Breakers
Series	CH
Applicable Models	CHE
Years of Manufacture	2025 & above

Table of Contents - CH150

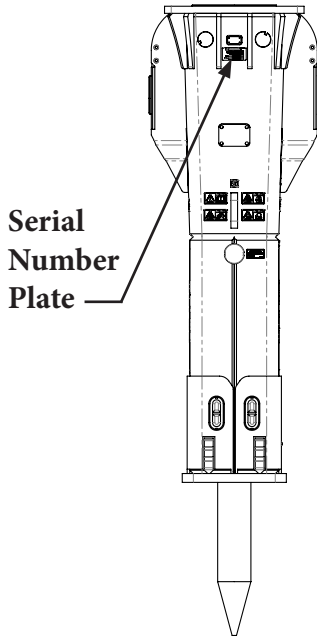
Table of Contents

Contact Information - CH150	3
1.0 Equipment Identification - CH150	
1.1 Location of Serial Number	5
1.2 Owner's Record of Equipment	5
2.0 Decals - CH150	
2.1 Standard Decals	6
2.2 Breaker CH150 Side-Plated Decal Placement	7
3.0 Hammer - CH150	
3.1 Hammer	8
3.2 Accumulator Sub Assembly	10
3.3 Valve Housing Sub Assembly	12
3.3.1 Check Valve Sub Assembly	14
3.3.2 Oper. Valve Sub Assembly	16
3.4 Seal Housing Sub Assembly	18
3.5 Cylinder Sub Assembly	20
3.6 Front Head Sub Assembly	22
3.7 Side Rod Sub Assembly	24
4.0 Housing - CH150	
4.1 Box Housing	26
5.0 Seal Kit - CH150	28
6.0 Rebuild Kits - CH150	30
7.0 Tool Bits - CH150	31
8.0 Tools Nitrogen (N2) Charge Kit - CH150	31
9.0 Hoses - CH150	32
10.0 Mounting Lubricator - Large Series - CH150	33
11.0 Breaker Mounted Lubricator - CH150	34

1.0 Equipment Identification - CH150

1.1 Location of the Serial Number Decal

Models: CH150



The Serial Equipment Identification Decal is affixed to the side of the housing box. It provides the following information:

- Serial Number:
- Model Number:
- Weight:
- Operating Pressure:
- Oil Flow:
- Carrier Relief Pressure:
- Nitrogen:

****Note: Prior to ordering parts, it's important to confirm your model and serial number**

CONNECT™ WORK TOOLS			
Serial Number:			
Model Number:			
Weight:	kg		lb
Operating Pressure:	bar		psi
Oil Flow:	l/min		gpm
Carrier Relief Pressure:	bar		psi
Nitrogen:	bar		psi

1.2 Owner's Record of the Equipment

Record the Model and Serial Number from the Serial Equipment Identification Tag to the space provided below. Indicate the date in which the Connect Work Tools equipment was placed into service.

Model CH150: CH150

Serial Number: _____

In Service Date: _____

Your Connect Work Tools representative requires this information to better assist you with questions regarding parts, warranty, operation, maintenance, or repair.

Your equipment must be registered by your local Distributor at the time of sale.

Product Registration Date: _____

2.0 Decals - CH150

2.1 Standard Decals



1. Part Number 16-00076 - Decal Warning Dust



2. Part Number 16-00077 - Decal Warning Flying Objects



3. Part Number 16-00078 - Decal Warning Read Manual



4. Part Number 16-00079 - Decal Warning Noise



5. Part Number 16-00080 - Decal Grease Point



6. Part Number 16-00081 - Decal Warning Safe Distance



7. Part Number CHE00162 - Decal CH150



8. Part Number CHE00385 - Decal Connect Logo CH150



9. Part Number CHE00127 - Decal SN Plate (Not included in Decal Kit)



10. Part Number 16-00082 - Decal Lift Point



11. Part Number CHE00111 - Decal Warning Nitrogen (N²)

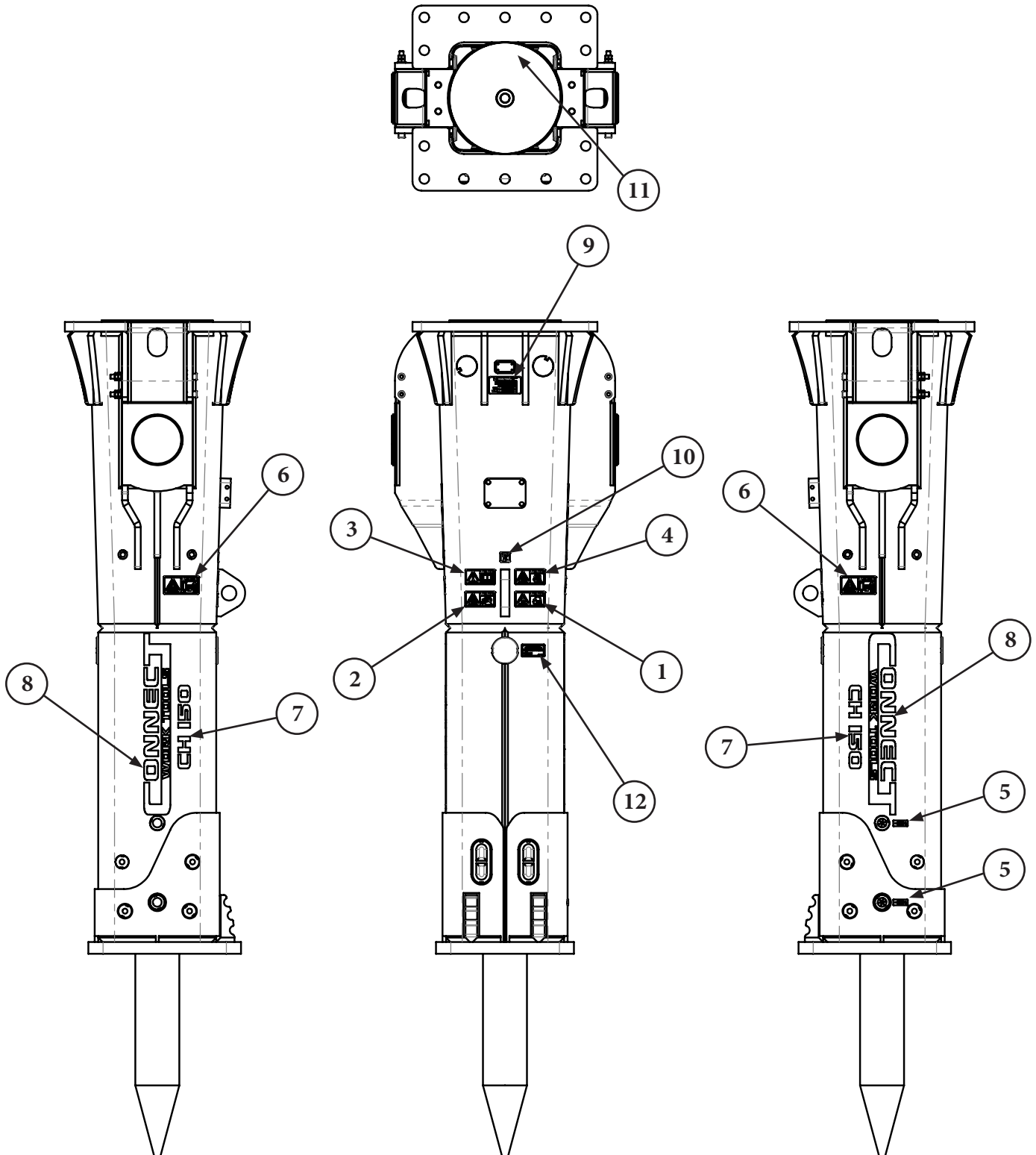


12. Part Number CHE00596 - Decal Warning Anti-Blank Fire (CH100 Model only)

All decals pictured are included in decal kits (with exception of No. 10)

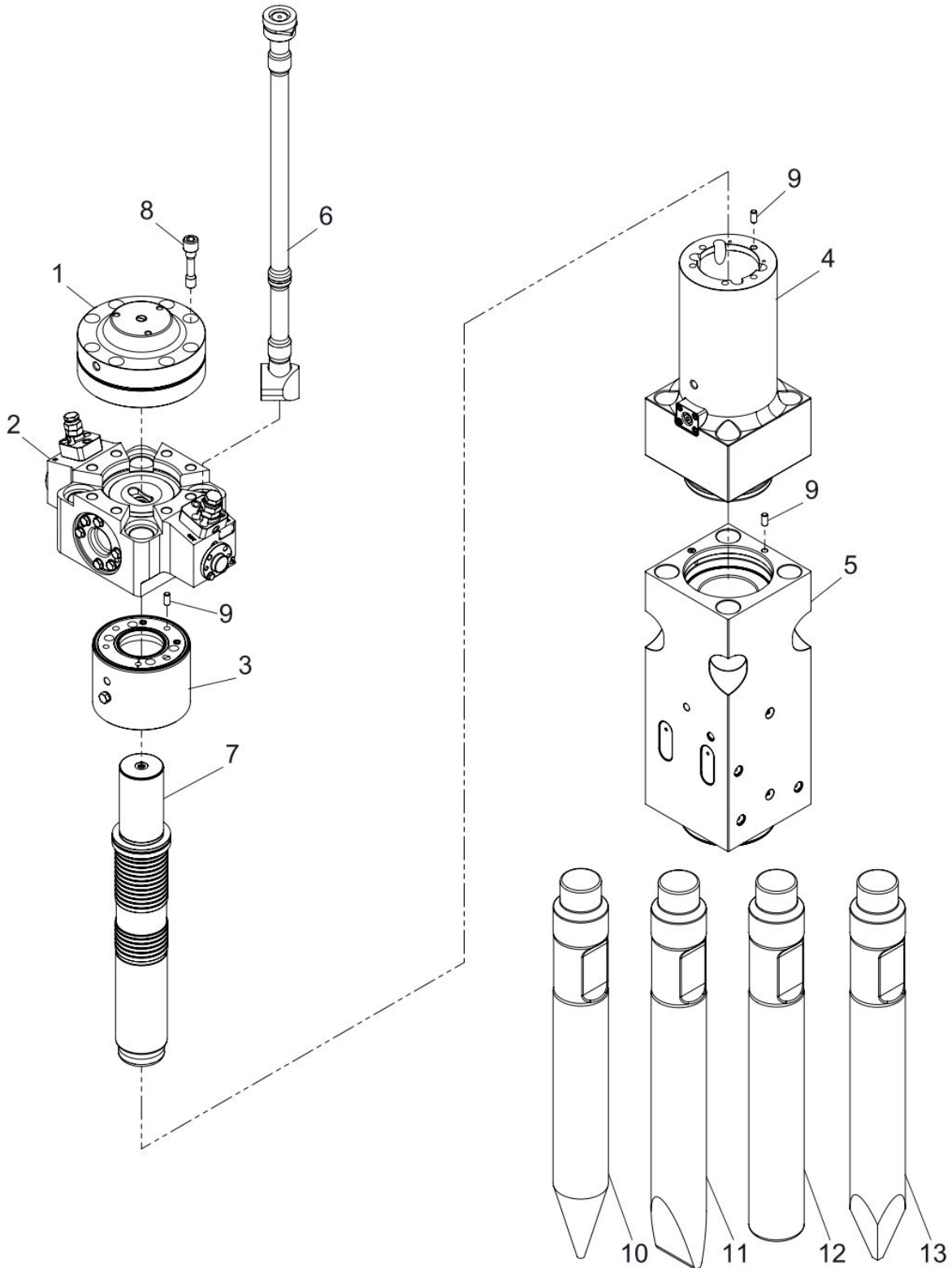
2.0 Decals - CH150

2.2 CH150 Breaker Decal Placement



3.0 Hammer - CH150

3-1. Hammer - (Through: S/N 24J-1155)

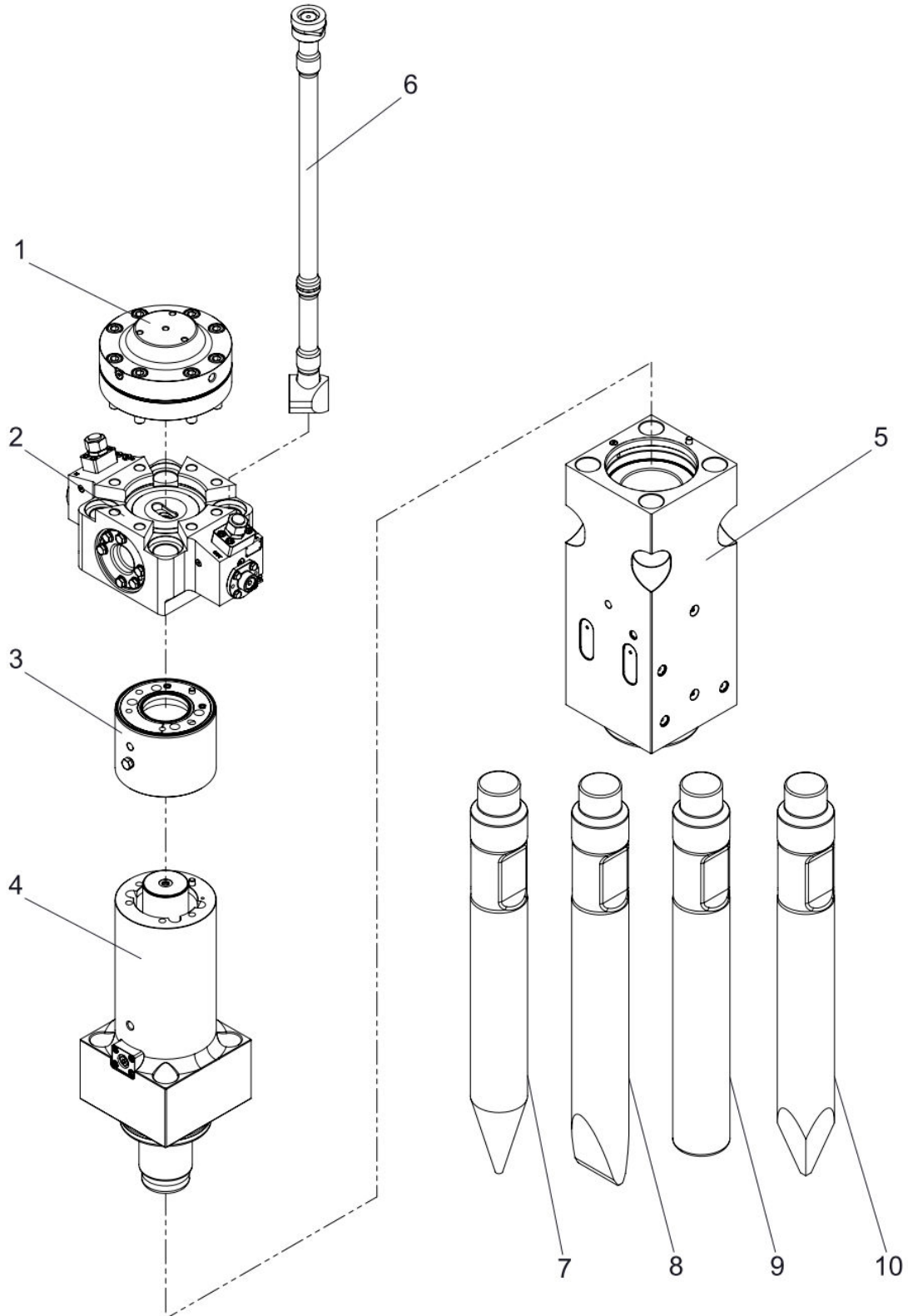


3.0 Hammer - CH150

NO.	PART NO.	PART NAME	QTY	REMARK
	CHD0302	HAMMER TOTAL ASSY	1	
1	CHB2506900	ACCUMULATOR SUB ASSY	1	
2	CHB280601A	VALVE HOUSING SUB ASSY	1	
3	CHB280602A	SEAL HOUSING SUB ASSY	1	
4	CHB280603A	CYLINDER SUB ASSY	1	
5	CHB280604A	FRONT HEAD SUB ASSY	1	
6	CHB2806230K	SIDE ROD SUB ASSY	4	
7	CHB2806210	PISTON	1	
8	CHB2506100	ACCUMULATOR COVE BOLT	8	
9	CHB4006310	GUIDE PIN	3	
10	CHB2806250	TOOL-CONE	1	OPTION
11	CHB2806260	TOOL-CHISEL	1	OPTION
12	CHB2806270	TOOL-BLUNT	1	OPTION
13	CHB2806280	TOOL-MOIL	1	OPTION
	CHB2807200	SEAL KIT		

3.0 Hammer - CH150

3-1. Hammer - (From: S/N 25A-1166)

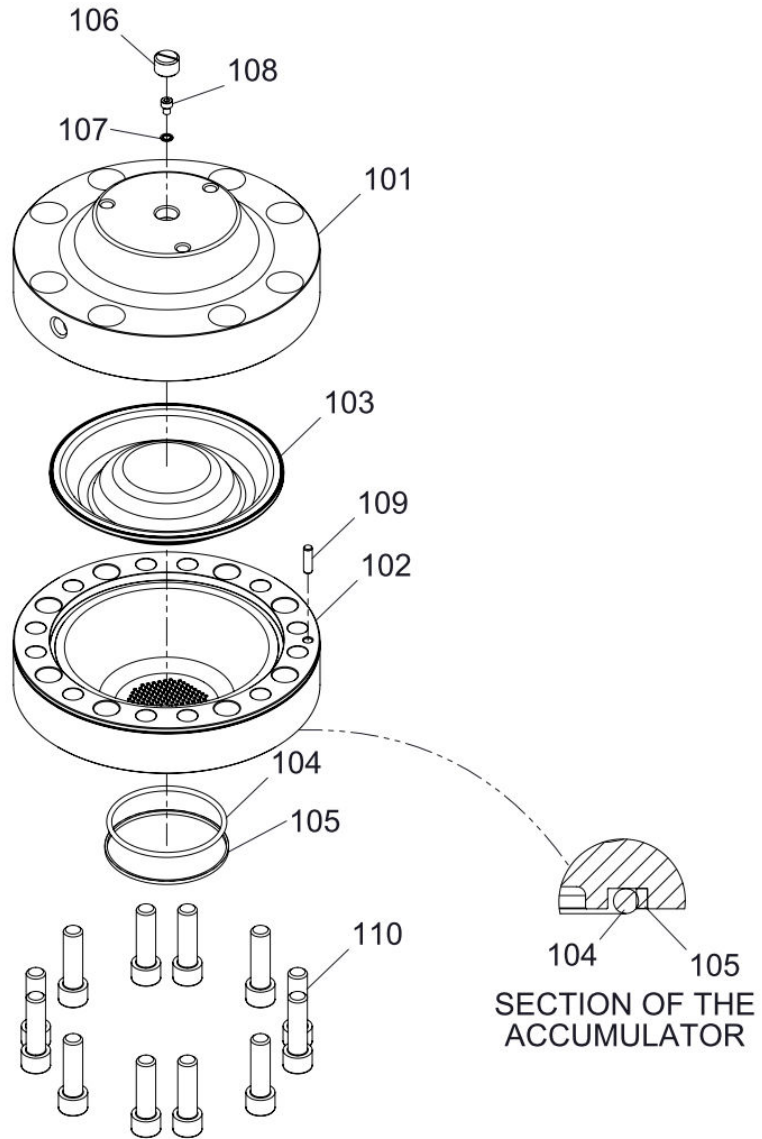


3.0 Hammer - CH150

NO.	PART NO.	PART NAME	QTY	REMARK
	CHD030E	HAMMER TOTAL ASSY	1	
1	CHB2506110	ACCUMULATOR SUB ASSY	2	
2	CHB280601B	VALVE HOUSING SUB ASSY	2	
3	CHB280602A	SEAL HOUSING SUB ASSY	1	
4	CHB280603A	CYLINDER SUB ASSY	1	
5	CHB280604A	FRONT HEAD SUB ASSY	1	
6	CHB2806230K	SIDE ROD SUB ASSY	4	
7	CHB2806250	TOOL-CONE	1	OPTION
8	CHB2806260	TOOL-CHISEL	1	OPTION
9	CHB2806270	TOOL-BLUNT	1	OPTION
10	CHB2806280	TOOL-MOIL	1	OPTION
	CHB2808000	SEAL KIT		

3.0 Hammer - CH150

3-2. Accumulator Sub Assembly - (Through: S/N 24J-1155)

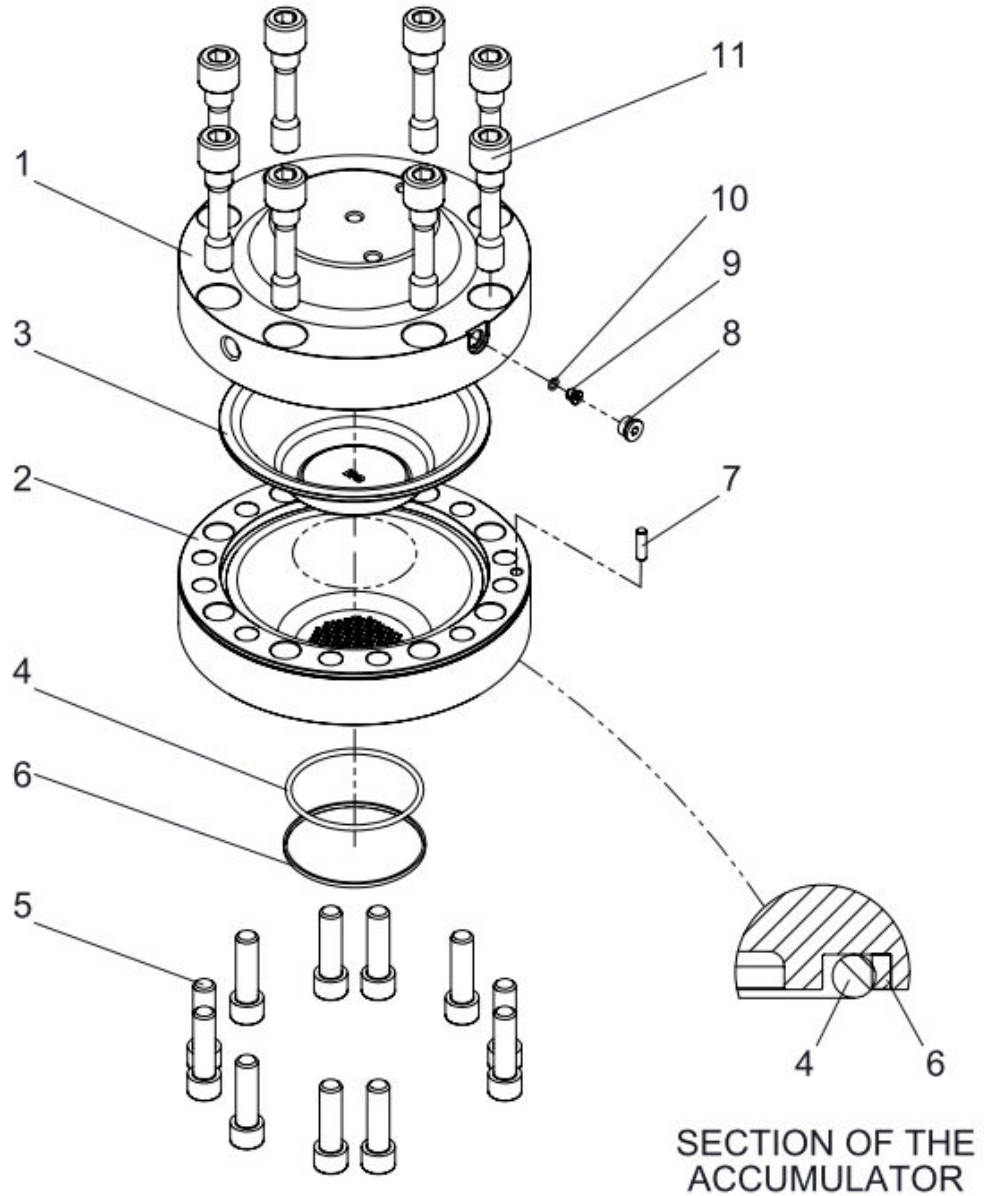


3.0 Hammer - CH150

NO.	PART NO.	PART NAME	QTY	REMARK
	CHB2506900	ACC. SUB ASSY	1	
101	CHB2506020	ACCUMULATOR COVER	1	
102	CHB250603A	ACCUMULATOR BOTTOM	1	
103	CHB300704U	MEMBRANE	1	
104	CHB2507270	O-RING	1	PART OF SEAL KIT
105	CHB2507280	BACK UP RING	1	PART OF SEAL KIT
106	CHB4007010	ACC. CAP	1	
107	CHB4007020	USIT RING	1	PART OF SEAL KIT
108	CHB4006420	ACC.GAS BOLT	1	
109	CHB4006370	GUIDE PIN	1	
110	CHSB2215075	SOCKET BOLT	12	

3.0 Hammer - CH150

3-2. Accumulator Sub Assembly - (From: S/N 25A-1166)

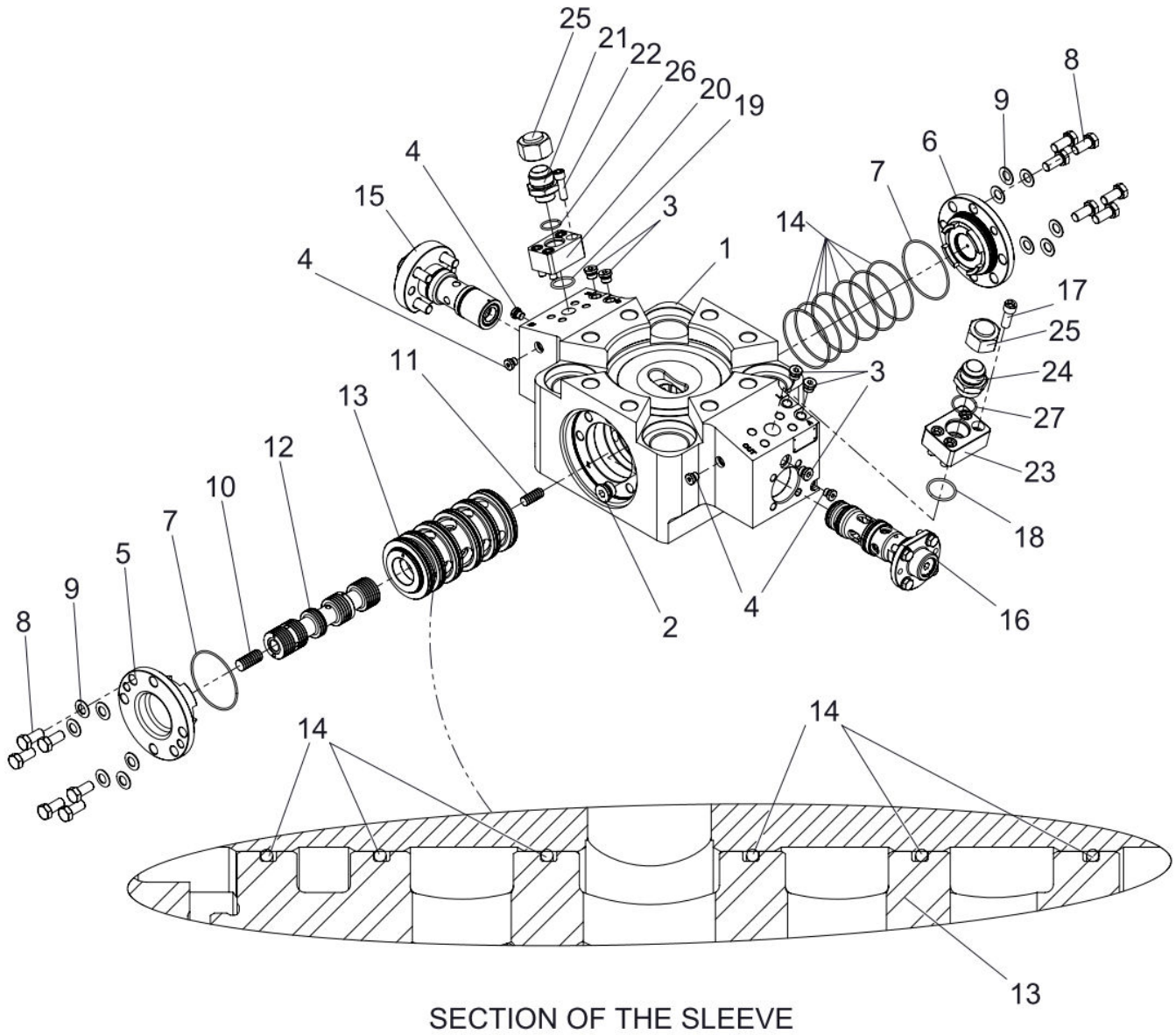


3.0 Hammer - CH150

NO.	PART NO.	PART NAME	QTY	REMARK
	CHB2506110	ACCUMULATOR SUB ASSY	1	
1	CHB2506120	ACCUMULATOR COVER	1	
2	CHB250603A	ACCUMULATOR BOTTOM	1	
3	CHB300704U	MEMBRANE	1	
4	CHB2507270	O-RING	1	PART OF SEAL KIT
5	CHSB2215075	SOCKET BOLT	11	
6	CHB2507280	BACK-UP RING	1	PART OF SEAL KIT
7	CHB4006370	GUIDE PIN	1	
8	CHAS066260	HOLLOW HEX PLUG	1	
9	CHB1606520	PLUG BLEED	1	
10	CHB2507240	O-RING	1	PART OF SEAL KIT
11	CHB2506100	ACCUMULATOR COVER BOLT	8	

3.0 Hammer - CH150

3-3. Valve Housing Sub Assembly

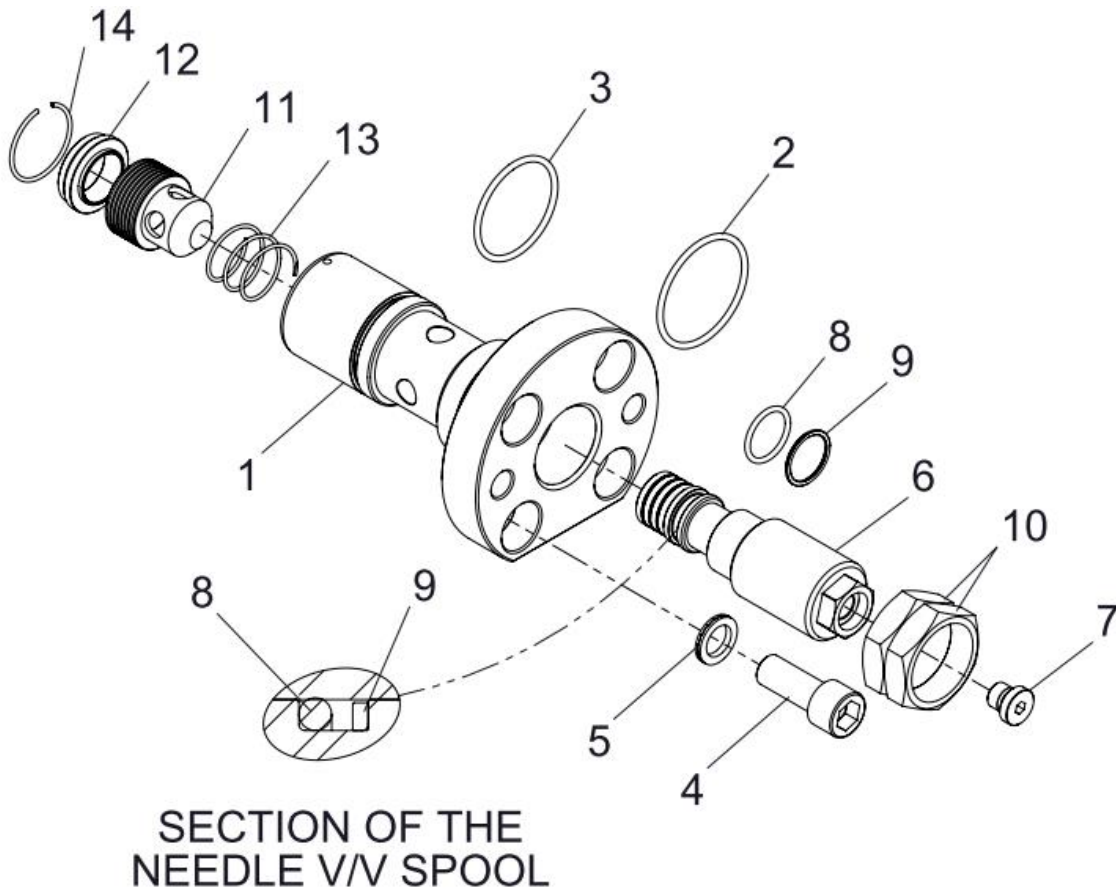


3.0 Hammer - CH150

NO.	PART NO.	PART NAME	QTY	REMARK
	CHB280691A	VALVE HOUSING SUB ASSY	1	<i>Through: 24J-1155</i>
	CHB280691B	VALVE HOUSING SUB ASSY	1	<i>From: 25A-1166</i>
1	CHB2806520	VALVE HOUSING	1	
2	CHB2506520	SOCKET PLUG	1	
3	CHB4006910	SOCKET PLUG	5	
4	CHB4006450	SOCKET PLUG	4	
5	CHB2506150	SLEEVE COVER 1	1	
6	CHB2506240	SLEEVE COVER 2	1	
7	CHB2507120	O-RING	2	PART OF SEAL KIT
8	CHHB1620035	HEX BOLT	12	
9	CHCW160000	CONICAL WASHER	12	
10	CHB2506250	SPOOL 1	1	
11	CHB2506160	SPOOL 2	1	
12	CHB2506170	MAIN SPOOL	1	
13	CHB2506180	SLEEVE	1	
14	CHB2507070	O-RING	6	PART OF SEAL KIT
15	CHB280606A	NEEDLE VALVE SUB ASSY	1	
16	CHB180655A	OPER VALVE SUB ASSY	1	<i>Through: 24J-1155</i>
16	CH2508300	OPER VALVE SUB ASSY	1	<i>From: 25A-1166</i>
17	CHSB1420040	SOCKET BOLT	4	OPTION
18	CHB4007060	O-RING	1	OPTION
19	CHB4007050	O-RING	1	OPTION
20	CHB3006670	FLANGE	1	OPTION
21	CHAUF16MJC20M	ADAPTER	1	OPTION
22	CHSB1217040	SOCKET BOLT	4	OPTION
23	CHB3006660	FLANGE	1	OPTION
24	CHAUF20MJC20M	ADAPTER	1	OPTION
25	CHCJC20F	CAP	2	OPTION
26	CHV4300010	O-RING	1	OPTION
27	CHA3007390	O-RING	1	OPTION

3.0 Hammer - CH150

3.3.1 Needle Valve Sub Assembly

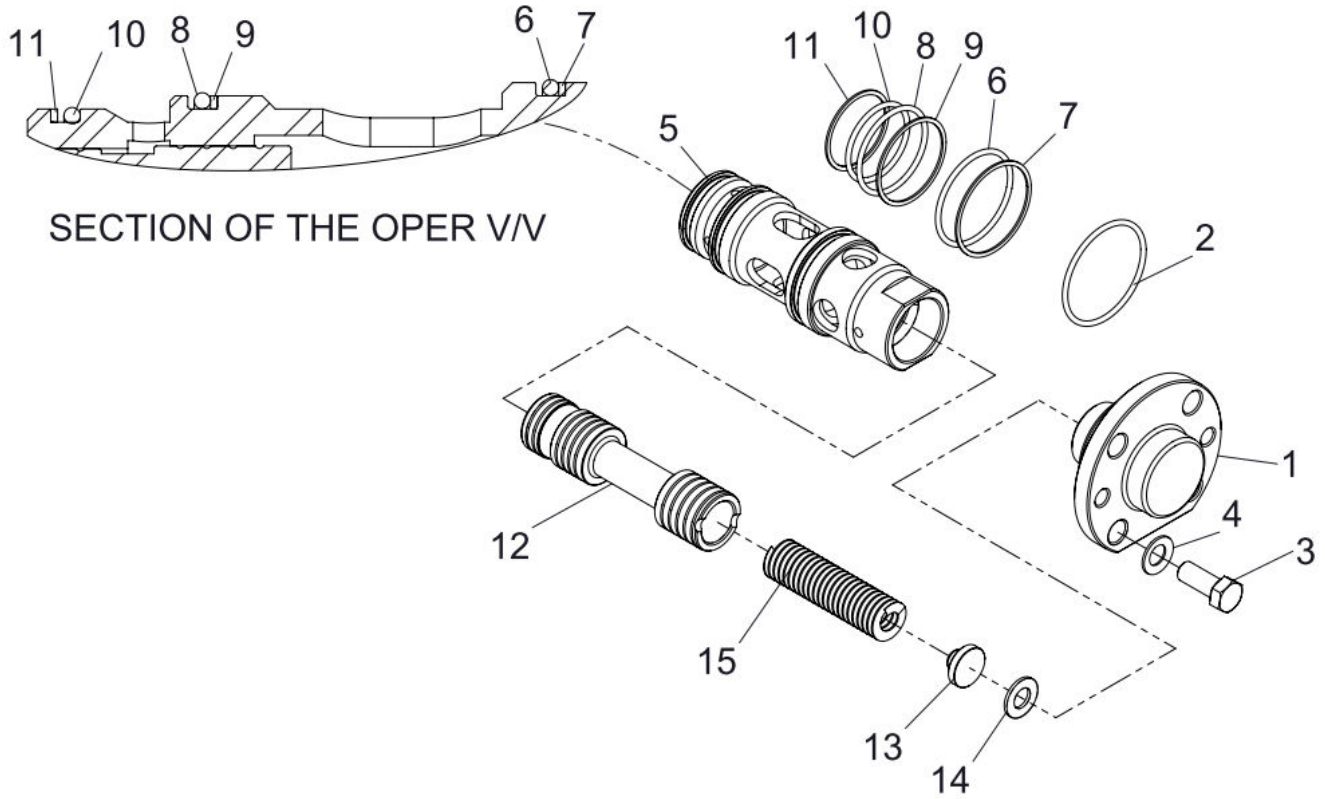


3.0 Hammer - CH150

NO.	PART NO.	PART NAME	QTY	REMARK
	CHB280606A	NEEDLE VALVE SUB ASSY	1	
1	CHB6006910	NEEDLE VALVE HOUSING	1	
2	CHB4007190	O-RING	1	PART OF SEAL KIT
3	CHB2507200	O-RING	1	PART OF SEAL KIT
4	CHSB1620040	SOCKET BOLT	4	
5	CHNDLW1600	NORD LOCK WASHER	4	
6	CHB6006920	NEEDLE VALVE SPOOL	1	
7	CHB4006450	SOCKET PLUG	1	
8	CHB4007260	O-RING	1	PART OF SEAL KIT
9	CHB3206940	BACKUP RING	1	PART OF SEAL KIT
10	CHB6006930	NUT	2	
11	CHB4006220	CHECK VALVE SPOOL	1	
12	CHB4006230	CHECK V/V SPRING GUIDE	1	
13	CHB4006480	CHECK VALVE SPRING	1	
14	CHB4006490	LOCK RING	1	

3.0 Hammer - CH150

3.3.2 Oper. Valve Sub Assembly - (Through: S/N 24J-1155)

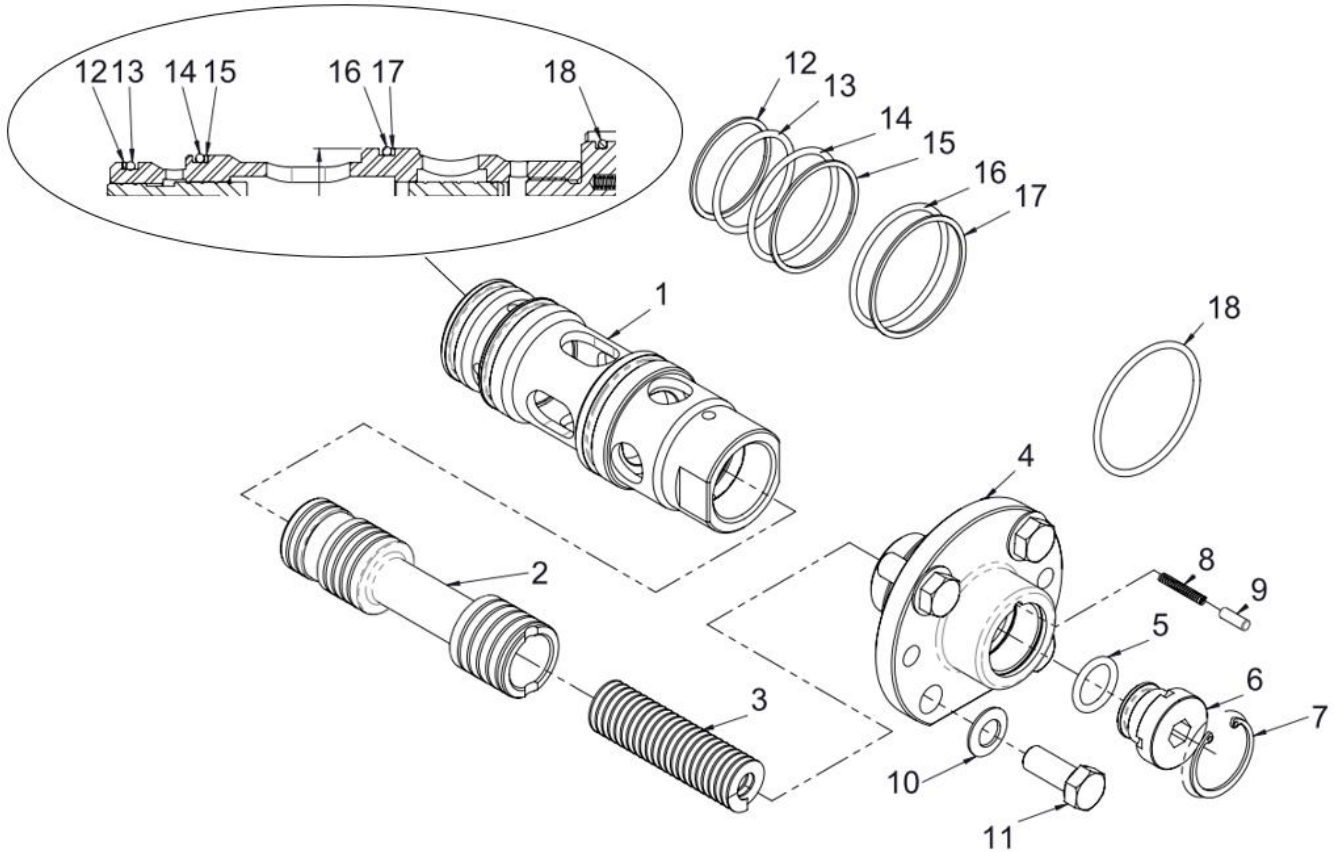


3.0 Hammer - CH150

NO.	PART NO.	PART NAME	QTY	REMARK
	CHB180655A	OPER VALVE SUB ASSY	1	
1	CHB2506300	OPER. VALVE COVER	1	
2	CHB4007200	O-RING	1	PART OF SEAL KIT
3	CHHB1217030	HEX. BOLT	4	
4	CHCW120000	CONICAL WASHER	4	
5	CHB2506260	OPER. VALVE GUIDE	1	
6	CHB4007190	O-RING	1	PART OF SEAL KIT
7	CHB6007350	BACK UP RING	1	PART OF SEAL KIT
8	CHB2507200	O-RING	1	PART OF SEAL KIT
9	CHB2507360	BACK UP RING	1	PART OF SEAL KIT
10	CHB2507190	O-RING	1	PART OF SEAL KIT
11	CHB2507350	BACK UP RING	1	PART OF SEAL KIT
12	CHB2506270	OPER. VALVE SPOOL	1	
13	CHB2506280	OPER. VALVE SPRING GUIDE	1	
14	CHB2506440	SHIM PLATE	1	
15	CHB2506870	OPER. VALVE SPRING	1	

3.0 Hammer - CH150

3.3.2 Oper. Valve Sub Assembly - (From: S/N 25A-1166)

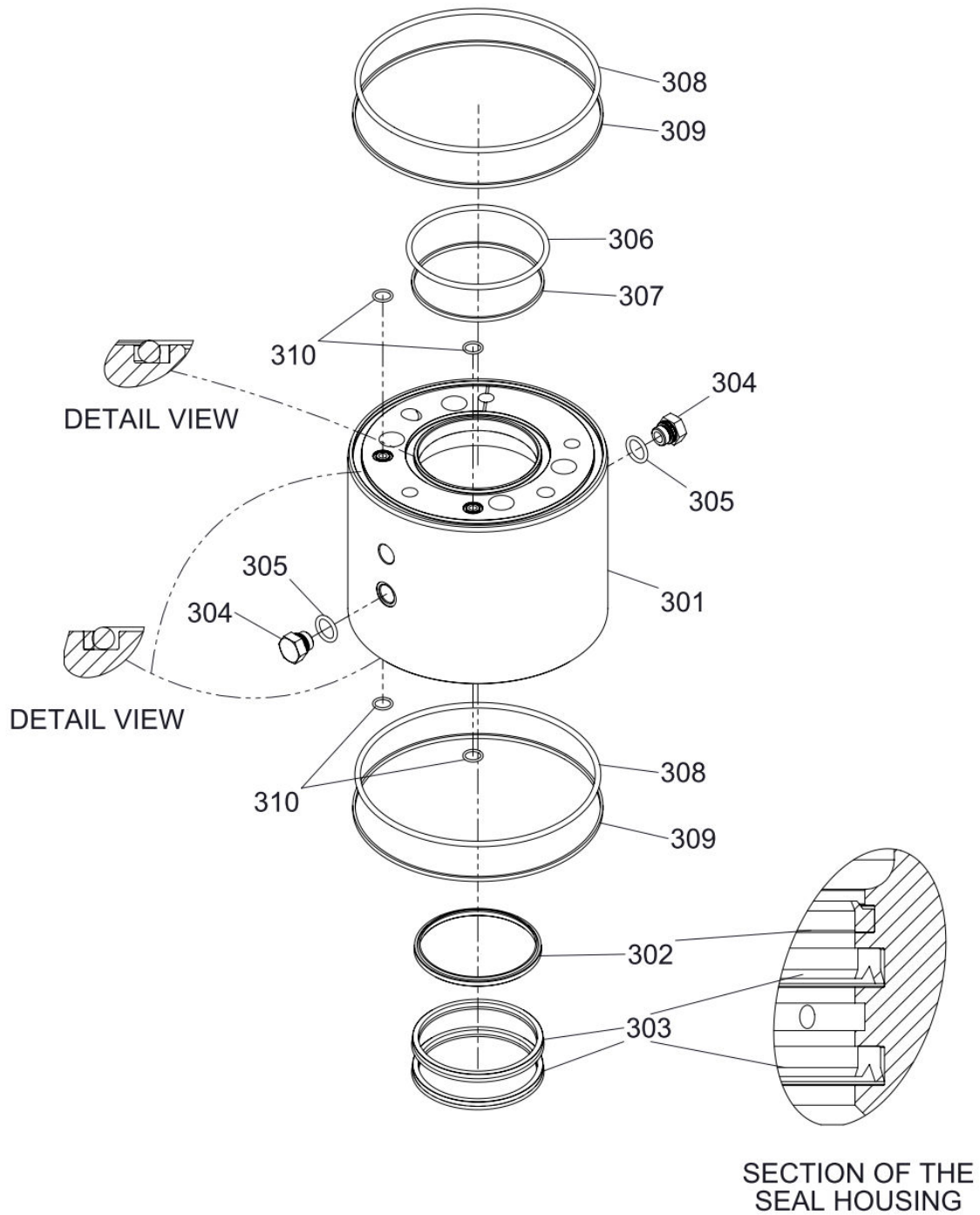


3.0 Hammer - CH150

NO.	PART NO.	PART NAME	QTY	REMARK
	CHB2508300	OPER. VALVE SUB ASSY	1	
1	CHB2506260	OPER. VALVE GUIDE	1	
2	CHB2506270	OPER. VALVE SPOOL	1	
3	CHB2506870	OPER. VALVE SPRING	1	
4	CHB2508310	OPER. VALVE COVER	1	
5	CHB2508360	O-RING	1	PART OF SEAL KIT
6	CHB2508320	SCREW ADJUSTER	1	
7	CHB2508330	SNAP RING	1	
8	CHN4007860	SPRING	1	
9	CHB2508340	DOWEL	1	
10	CHCW120000	CONICAL WASHER	4	
11	CHHB1217030	HEX BOLT	4	
12	CHB2507350	BACK-UP RING	1	PART OF SEAL KIT
13	CHB2507190	O-RING	1	PART OF SEAL KIT
14	CHB2507200	O-RING	1	PART OF SEAL KIT
15	CHB2507360	BACK-UP RING	1	PART OF SEAL KIT
16	CHB4007190	O-RING	1	PART OF SEAL KIT
17	CHB6007350	BACK-UP RING	1	PART OF SEAL KIT
18	CHB4007200	O-RING	1	PART OF SEAL KIT

3.0 Hammer - CH150

3.4 Seal Housing Sub Assembly

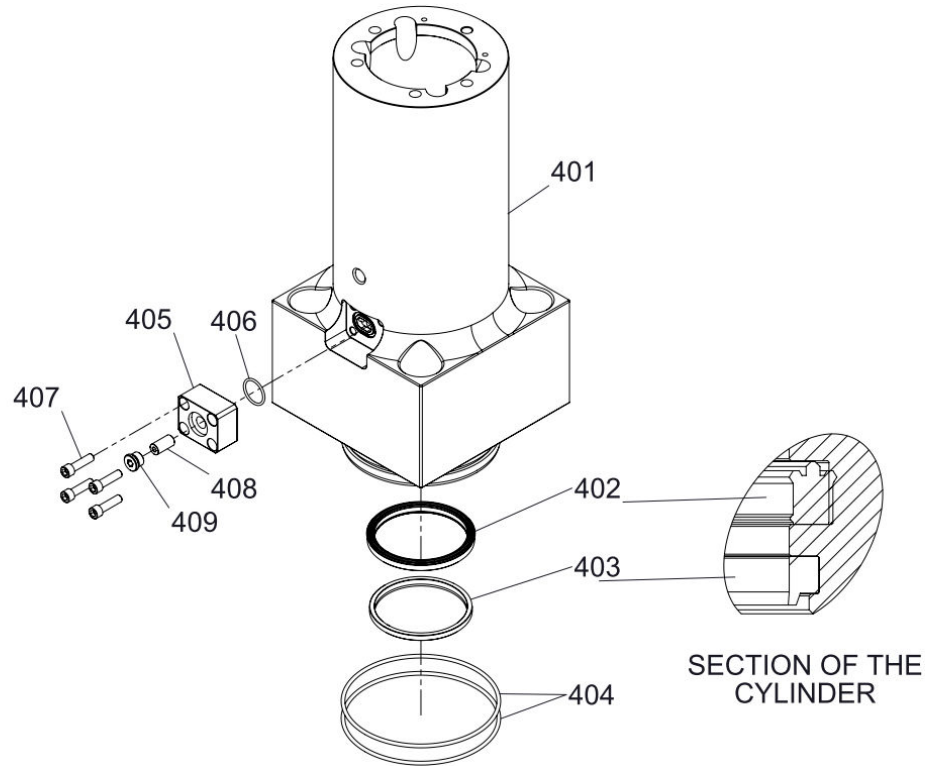


3.0 Hammer - CH150

NO.	PART NO.	PART NAME	QTY	REMARK
	CHB280602A	SEAL HOUSING SUB ASSY	1	
301	CHB2806090	SEAL HOUSING	1	
302	CHB2807120	WIPER	1	PART OF SEAL KIT
303	CHB2807130	SEAL	2	PART OF SEAL KIT
304	CHB2006870	AIR VENT PLUG	2	
305	CHB0407150	O-RING	2	PART OF SEAL KIT
306	CHB2507080	O-RING	1	PART OF SEAL KIT
307	CHB2507090	BACK-UP RING	1	PART OF SEAL KIT
308	CHB3007100	O-RING	2	PART OF SEAL KIT
309	CHB3007110	BACK-UP RING	2	PART OF SEAL KIT
310	CHB4007310	O-RING	4	PART OF SEAL KIT

3.0 Hammer - CH150

3.5 Cylinder Sub Assembly



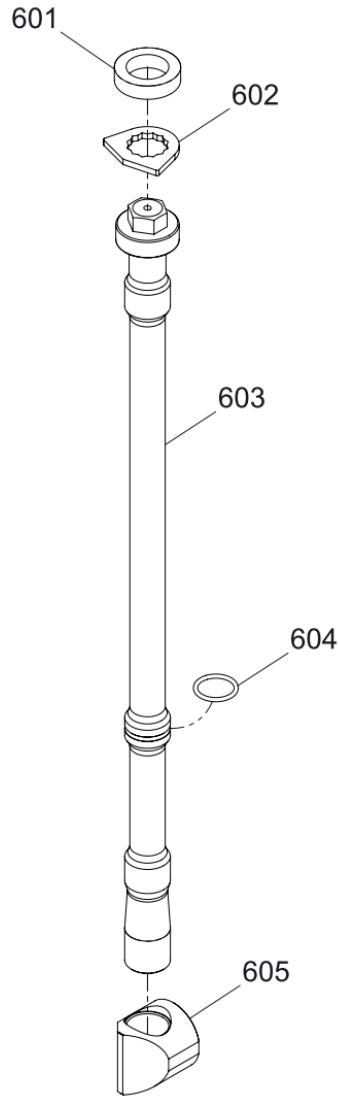
NO.	PART NO.	PART NAME	QTY	REMARK
	CHB280603A	CYLINDER SUB ASSY	1	
401	CHB2806070	CYLINDER	1	
402	CHB2807030	SEAL	1	PART OF SEAL KIT
403	CHB2807040	WIPER	1	PART OF SEAL KIT
404	CHB2507130	O-RING	2	PART OF SEAL KIT
405	CHB2806360	STOP VALVE	1	
406	CHA3206550	O-RING	1	PART OF SEAL KIT
407	CHSB1217045	SOCKET BOLT	4	
408	CHB1406790	ASO PIN	1	
409	CHA1206780	METRIC HOLLOW HEX PLUG	1	

3.0 Hammer - CH150

NO.	PART NO.	PART NAME	QTY	REMARK
5	CHB280604A	FRONT HEAD SUB ASSY	1	
501	CHB2806020	FRONT HEAD	1	
502	CHB4006450	SOCKET PLUG	3	
503	CHB4006560	GREASE NIPPLE	2	
504	CHB4007310	O-RING	1	PART OF SEAL KIT
505	CHB2806030	UPPER BUSHING	1	
506	CHB2806050	TOOL BUSHING	1	
510	CHB2806040	TOOL PIN	2	
511	CHA5006050	BUSHING PIN	3	
512	CHB3006580	RUBBER PLUG	3	
513	CHB3006570	SNAP RING	3	
514	CHA3006230	BUSHING PIN	1	
515	CHB1806580	RUBBER PLUG	1	
516	CHB1806570	SNAP RING	1	

3.0 Hammer - CH150

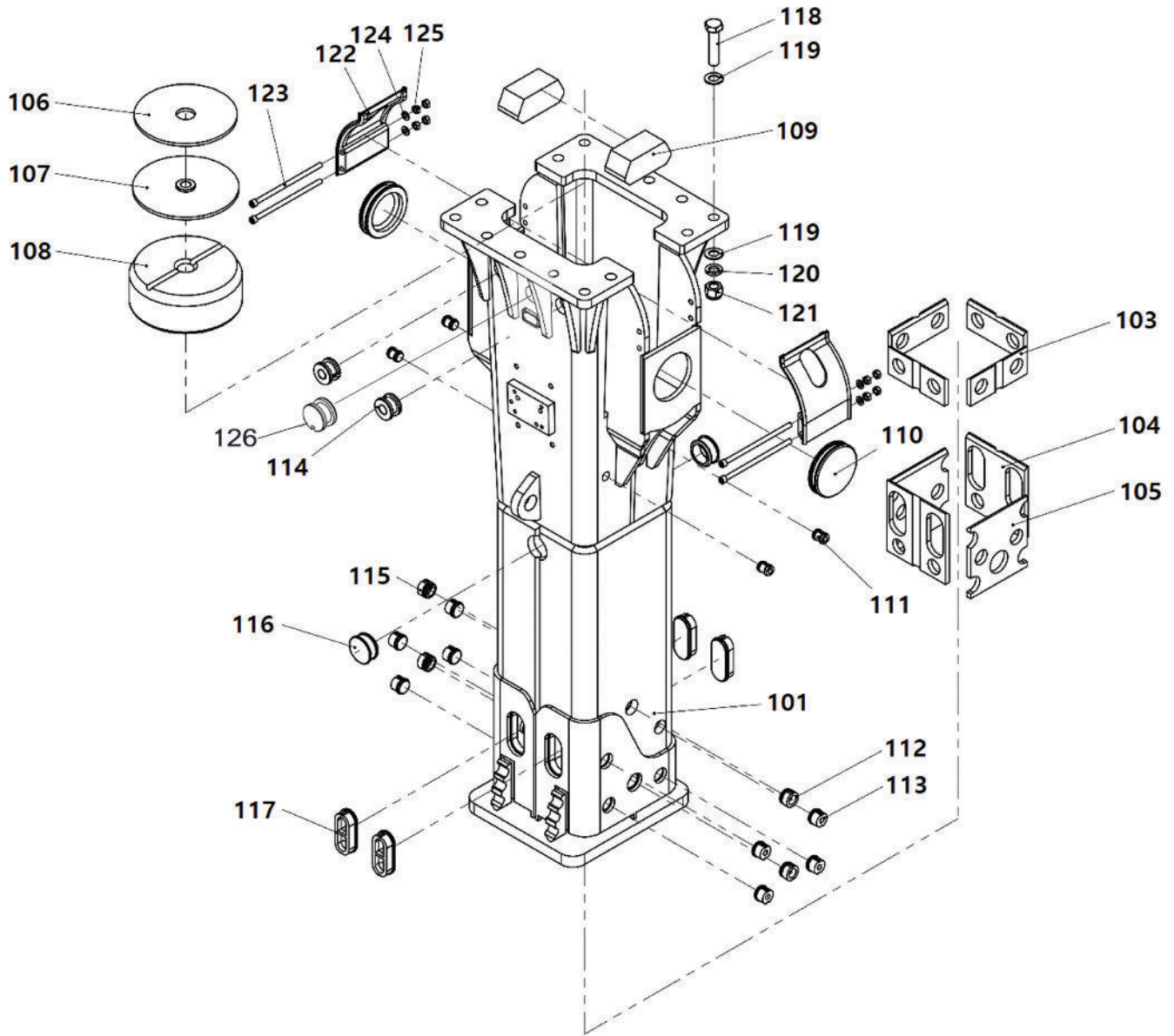
3.7 Side Rod Sub Assembly



NO.	PART NO.	PART NAME	QTY	REMARK
	CHB2806230K	SIDE ROD SUB ASSY	4	
601	CHB3007030	RUBBER RING	1	
602	CHB3006110	LOCK WASHER	1	
603	CHB2806230	SIDE ROD	1	
604	CHB2507250	O-RING	1	PART OF SEAL KIT
605	CHB2806240	SIDE ROD NUT	1	

4.0 Housing - CH150

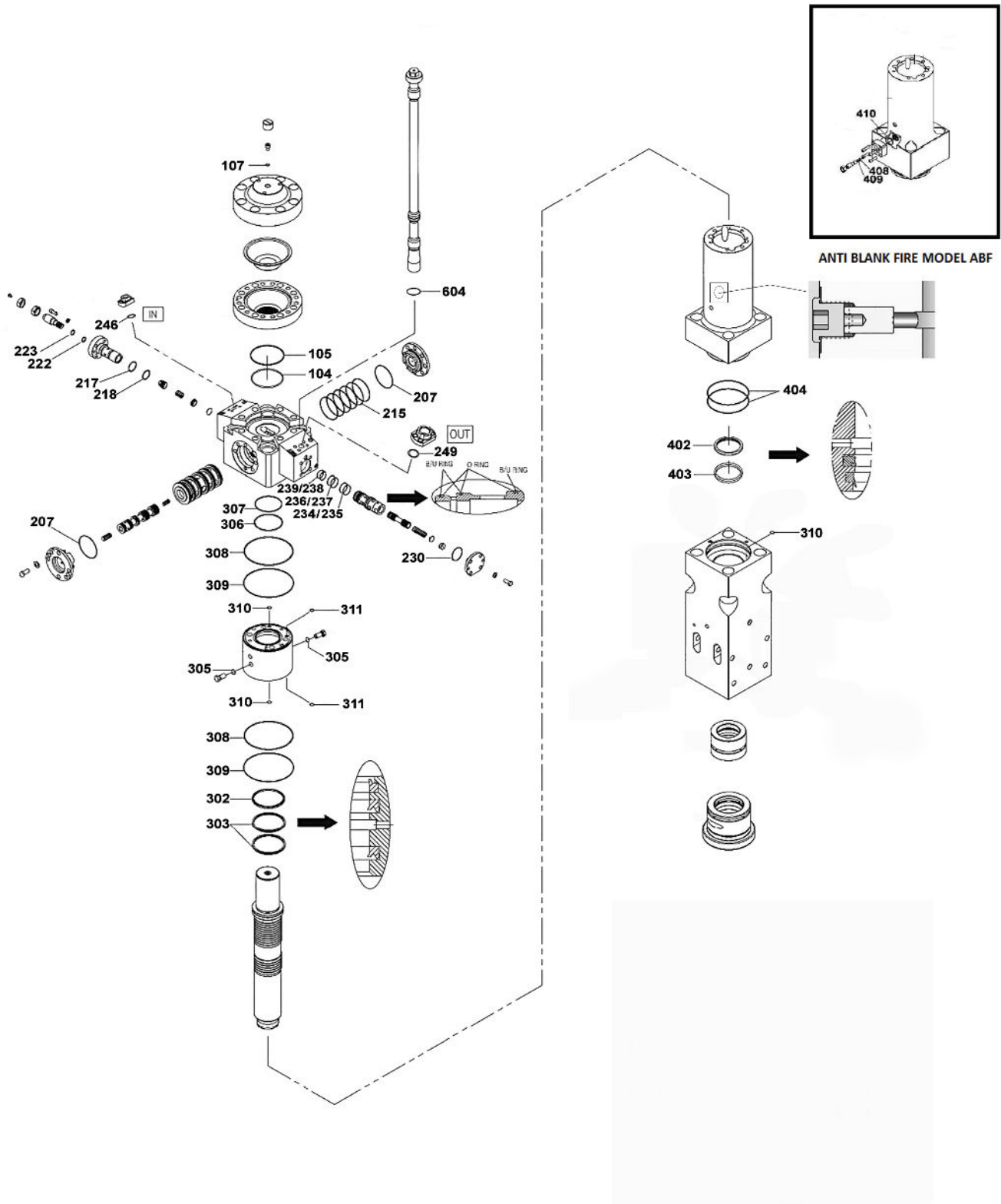
4-1. R- Box Housing



4.0 Housing - CH150

NO.	PART NO.	PART NAME	QTY	REMARK
	CHB2803100	HOUSING TOTAL ASSY	1	
101	CHB2803110	HOUSING WELD ASSY	1	
103	CHB2802140	WEARING PLATE	4	
104	CHB2802130	WEARING PLATE	2	
105	CHB2802120	WEARING PLATE	2	
106	CHB2500060	TOP WEARING PLATE	1	
107	CHB2500070	TOP PLATE ASSY	1	
108	CHB2500080	TOP BUFFER	1	
109	CHB2500090	SIDE BUFFER	2	
110	CHB2500100	RUBBER	2	
111	CHB3000140	RUBBER PLUG	4	
112	CHB3200050	RUBBER PLUG	2	
113	CHB4000120	RUBBER PLUG	8	
114	CHB400W27A	RUBBER PLUG	2	
115	CHB3200040	RUBBER GREASE	2	
116	CHB1601460	RUBBER PLUG	2	
117	CHB3000110	RUBBER PLUG	4	
118	CHB3035130	HEX BOLT	14	
119	CHPW300000	PLAIN WASHER	28	
120	CHSW300000	SPRING WASHER	14	
121	CHNN303500	NYLON NUT	14	
122	CHB2802150	PORT COVER	2	
123	CHSB1420280	SOCKET BOLT	4	
124	CHPW140000	PLAIN WASHER	4	
125	CHHN142000	HEX NUT	8	
126	CHB400W270	RUBBER PLUG	2	

5.0 Seal Kits - CH150

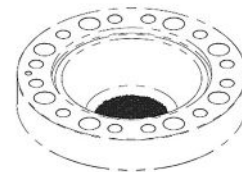
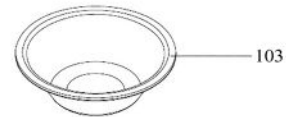
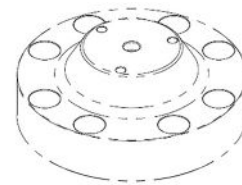
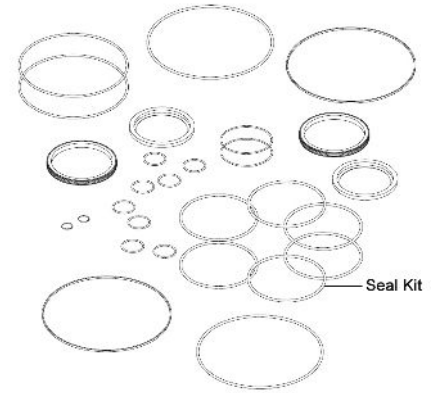
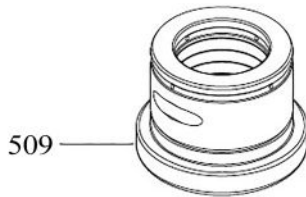
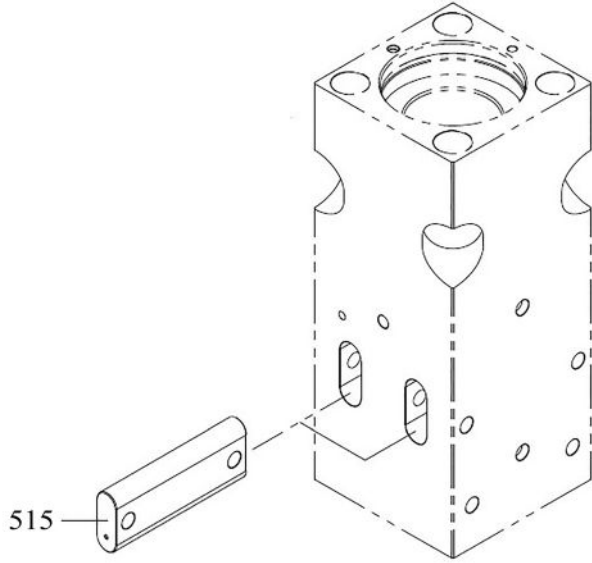


5.0 Seal Kits - CH150

ITEM	ILLUSTRATION	QTY	DESCRIPTION	PART NUMBER	ASSEMBLY AREA
1		1	SEAL KIT	CHB2807200HX	
1	246	1	O - RING	CHB4007050	FLANGE (IN)
2	248	1	O - RING	CHB4007060	FLANGE (OUT)
3	215	6	O - RING	CHB2507070	SLEEVE
4	306	1	O - RING	CHB2507080	SEAL HOUSING
5	307	1	BACK UP RING	CHB2507090	SEAL HOUSING
6	308	2	O - RING	CHB3007100	SEAL HOUSING
7	309	2	BACK UP RING	CHB3007110	SEAL HOUSING
8	207	2	O - RING	CHB2507120	SLEEVE COVER 1,2
9	404	2	O - RING	CHB2507130	CYLINDER
10	302	1	WIPER	CHB2807120	SEAL HOUSING
11	303	2	U - PACKING	CHB2807130	SEAL HOUSING
12	402	1	SEAL	CHB2807030	CYLINDER
13	403	1	WIPER	CHB2807040	CYLINDER
14	238	1	O - RING	CHB2500790	OPER. V/V GUIDE
15	239	1	BACK UP RING	CHB2507350	OPER. V/V GUIDE, Needle V/V
16	236	1	O - RING	CHB2507200	OPER. V/V GUIDE
17	237	1	BACK UP RING	CHB2507360	OPER. V/V GUIDE
18	234	1	O - RING	CHB4007190	OPER. V/V GUIDE
19	235	1	BACK UP RING	CHB6007350	OPER. V/V GUIDE
20	230	1	O - RING	CHB4007200	OPER. V/V COVER
21	604	4	O - RING	CHB2507250	SIDE ROD
22	107	1	USIT RING	CHB4007020	ACC. COVER
23	104	1	O - RING	CHB2507270	ACC. BOTTOM
24	105	1	BACK UP RING	CHB2507280	ACC. BOTTOM
25	217	1	O - RING	CHB2507200	NEEDLE V/V
26	310	5	O - RING	CHB4007310	SEAL HOUSING, CYLINDER, FH
27	222	1	O - RING	CHB4007260	NEEDLE V/V
28	223	1	BACK UP RING	CHB3206940	NEEDLE V/V
29	305	2	O - RING	CHB0407150	AIR VENT PLUG
30	408	1	O - RING	CHA3206550	CYLINDER / STOP VALVE
31	409	1	O - RING	CHB1807310	CYLINDER / ADJUST BOLT
32	410	1	BACK UP RING	CHA3007160	CYLINDER / ADJUST BOLT

6.0 Rebuild Kits - CH150

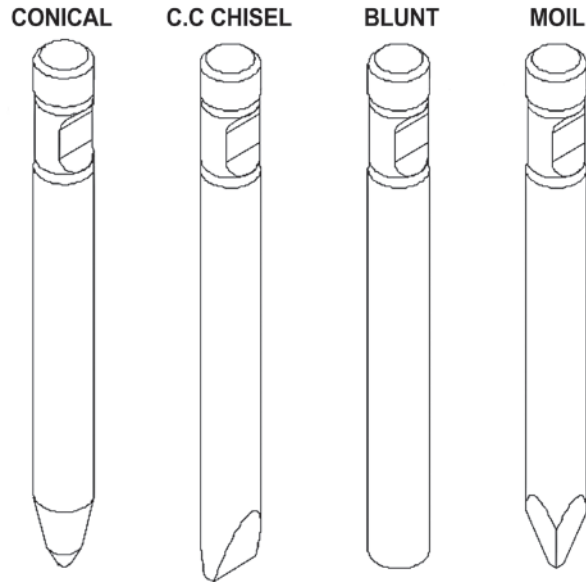
6.1 Rebuild Kits



REBUILD KIT - CH150			
ITEM	QTY	DESCRIPTION	PART NUMBER
	1	KIT	CHTKD030EXO
515	2	TOOL PIN	CHB2806040
509	1	TOOL BUSHING	CHB2806050
103	1	MEMBRANE	CHB300704A
	1	SEAL KIT	CHB2807200HX

7.0 Tool Bits - CH150

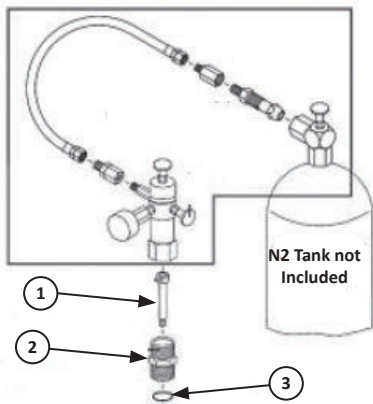
7.1 Tool Bits



TOOL BITS - CH150

TOOL TYPE	PART NUMBER
CONICAL	CHB2806250
CHISEL	CHB2806260
BLUNT	CHB2806270
MOIL	CHB2806280

8.0 Tools Nitrogen (N²) Charge K



NITROGEN CHARGE KIT
Part Number: CHT0006

TOOLING NITROGEN (N₂) CHARGE KIT

ITEM	PART NUMBER	DESCRIPTION	QTY
	CHTBMS0001	N2 CHARGE KIT	1
1	CHBM1C60052	CHARGE TOOL SOCKET HEAD BOLT	1
2	CH1G020026	CHARGE TOOL ADAPTER	1
3	CGA2507380	O-RING	1

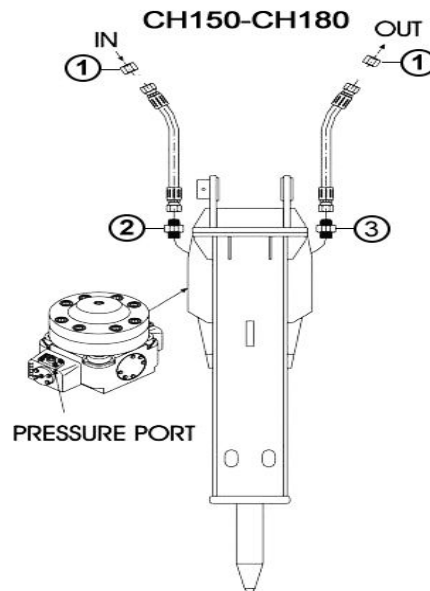
9.0 Hoses - CH150

MODEL	HOSE CHART - CH150				
	PART NUMBER	LENGTH	DIA. / PSI	FITTING 1	FITTING 2
CH150	40-02172	102"	1.25"/3000	20FJSW	20FJSW

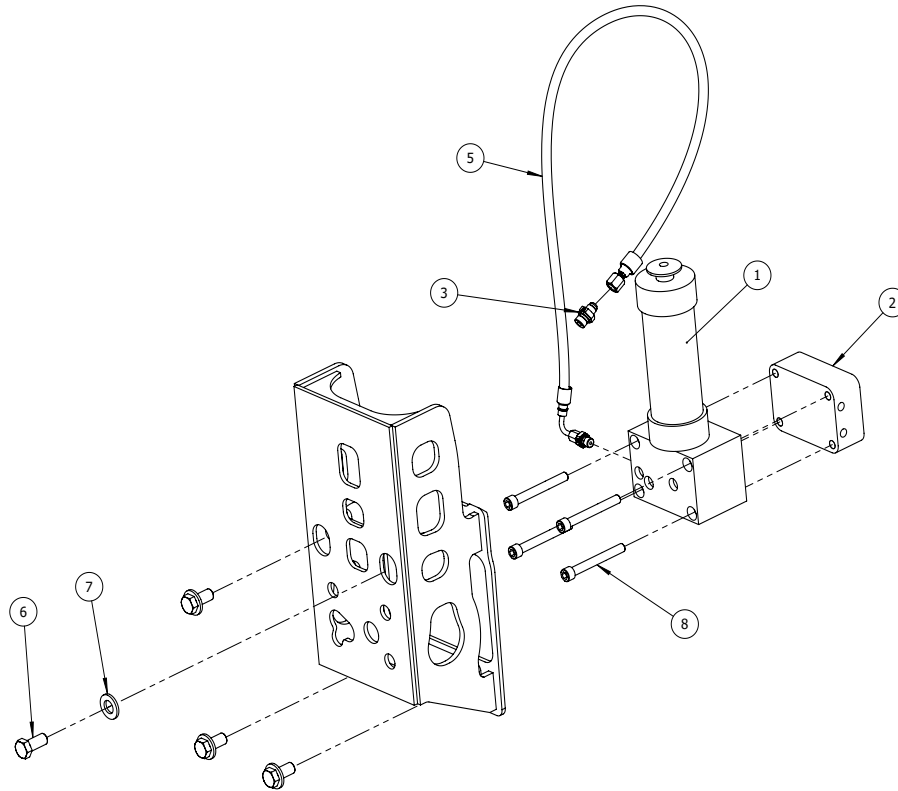
MODEL	HOSE PLUGS		
	PART NUMBER	ITEM	DESCRIPTION
CH150	CHE00200	1	Plug 20 JIC 37 Degree

MODEL	HOSE ADAPTORS - INLET BREAKER PORT				
	ADAPTOR PN #	ITEM	FLANGE	INLET ADAPTOR	HOSE / CARRIER
CH150	CHE00203	2	CHB1506670	-16 SAE ORB	-20 JIC

MODEL	HOSE ADAPTORS - OUTLET BREAKER PORT				
	ADAPTOR PN #	ITEM	FLANGE	OUTLET ADAPTOR	HOSE / CARRIER
CH150	CHE00204	3	CHC3006660	-20 SAE ORB	-20 JIC



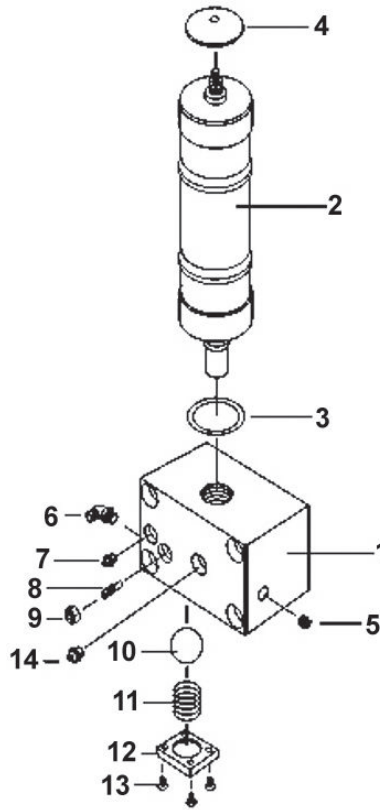
10.0 Mounted Lubricator - Large Series - CH150



MOUNTED LUBRICATOR - CH150

ITEM	QTY	DESCRIPTION	PN#
1	1	AUTO GREASE PUMP(U)/500ML	CHAGRU0500
2	1	GREASE PUMP PLATE BML WELD-ON	CHB2003550
3	2	ADAPTER	CHBHSSG102
4	1	WLDT BML LUBE GUARD	CHE01091
5	1	PLUMBING KIT BML CH110-CH175	CHE01743
6	4	HEX BOLT	CHHB1620035
7	4	WASHER M16 - 25.4 X 3.4 P_	CHPW160000
8	4	SH CS M12 - 1.75 X 100 B_ 12.9	CHSB1217100

11.0 Breaker Mounted Lubricator - CH150



BREAKER MOUNTED LUBRICATOR

ITEM	PARTS NO.	DESCRIPTION
	CHAGRU0500	PUMP
1	CHHLU-0300	11U-BODY
2	CHHL0101	RECHARGEABLE CARTRIDGE
3	CHHL0041	O-RING
4	CHHL0810	HANDLE
5	CHHL0920	PLUG
6	CHHL0360	ZERK
7	CHHNG18	ZERK -GREASE
8	CHHL0240	ADJUSTER
9	CHHNM1201	NUT
10	CHHL0350	BALL
11	CHHL0220	SPRING
12	CHHL0330	COVER
13	CHJBM0615	BOLT
14	CHHNG18	ZERK-GREASE

CONNECTTM
WORK TOOLS

920.238.6657

www.connectworktools.com

