

---

---

**CONNECT**<sup>TM</sup>  
**WORK TOOLS**



# Medium Series Breaker

**Model: CH140**

---

---

**Parts Manual** CH-Series



Part #CHE02410

Connect Work Tools - [www.connectworktools.com](http://www.connectworktools.com) - 920.238.6657

---

---



## Contact Information - CH140



**Connect Work Tools**  
**155 Main Street**  
**Superior, WI 54880**

**E-mail: [info@connectworktools.com](mailto:info@connectworktools.com)**  
**Main Phone: 920-238-6657**  
**Fax: 715-395-3703**

Contact your Connect Work Tools Representative or the Connect Work Tools Parts Department for replacement manuals.  
Inquiries regarding the content of this manual must include the release date shown below.

**Information in this manual is subject to change without advance notice.**

**Table 1.1 About this manual**

Document ID No.	CHE02410
Type	Parts
Release Date	February 2025
Product Name	Hydraulic Breakers
Series	CH
Applicable Models	CHE
Years of Manufacture	2025 & above

## Table of Contents - CH140

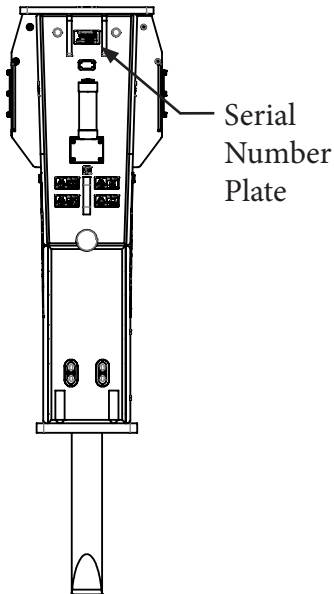
### Table of Contents

Contact Information - CH140 .....	3
1.0 Equipment Identification - CH140	
1.1 Location of Serial Number .....	5
1.2 Owner's Record of Equipment .....	5
2.0 Decals - CH140	
2.1 Standard Decals .....	6
2.2 Breaker CH140 Side-Plated Decal Placement .....	7
3.0 Hammer - CH140	
3.1 Hammer .....	8
3.2 Accumulator Sub Assembly .....	10
3.3 Valve Housing Sub Assembly .....	12
3.3.1 Check Valve Sub Assembly .....	14
3.3.2 Oper. Valve Sub Assembly .....	16
3.4 Seal Housing Sub Assembly .....	18
3.5 Cylinder Sub Assembly .....	20
3.6 Front Head Sub Assembly .....	22
3.7 Side Rod Sub Assembly .....	24
4.0 Housing - CH140	
4.1 Box Housing .....	26
5.0 Seal Kit - CH140 .....	28
6.0 Rebuild Kits - CH140 .....	30
7.0 Tool Bits - CH140 .....	31
8.0 Tools Nitrogen (N2) Charge Kit - CH140 .....	31
9.0 Hoses - CH140 .....	32
10.0 Mounting Lubricator - Medium Series - CH140 .....	33
11.0 Breaker Mounted Lubricator - CH140 .....	34

# 1.0 Equipment Identification - CH140

## 1.1 Location of the Serial Number Decal

Models: CH140



The Serial Equipment Identification Decal is affixed to the side of the housing box. It provides the following information:

- Serial Number:
- Model Number:
- Weight:
- Operating Pressure:
- Oil Flow:
- Carrier Relief Pressure:
- Nitrogen:

**\*\*Note: Prior to ordering parts, it's important to confirm your model and serial number**

<b>CONNECT™ WORK TOOLS</b>			
Serial Number:	<input type="text"/>		
Model Number:	<input type="text"/>		
Weight:	<input type="text"/>	kg	lb
Operating Pressure:	<input type="text"/>	bar	psi
Oil Flow:	<input type="text"/>	l/min	gpm
Carrier Relief Pressure:	<input type="text"/>	bar	psi
Nitrogen:	<input type="text"/>	bar	psi

## 1.2 Owner's Record of the Equipment

Record the Model and Serial Number from the Serial Equipment Identification Tag to the space provided below. Indicate the date in which the Connect Work Tools equipment was placed into service.

Model CH140: CH140

Serial Number: \_\_\_\_\_

In Service Date: \_\_\_\_\_

Your Connect Work Tools representative requires this information to better assist you with questions regarding parts, warranty, operation, maintenance, or repair.

Your equipment must be registered by your local Distributor at the time of sale.

Product Registration Date: \_\_\_\_\_

## 2.0 Decals - CH140

All decals pictured are included in decal kits (with exception of No. 9)

### 2.1 Standard Decals



1. Part Number 16-00076 - Decal Warning Dust



2. Part Number 16-00077 - Decal Warning Flying Objects



3. Part Number 16-00078 - Decal Warning Read Manual



4. Part Number 16-00079 - Decal Warning Noise



5. Part Number 16-00080 - Decal Grease Point



6. Part Number 16-00081 - Decal Warning Safe Distance



7. Part Number CHE00150 - Decal CH140



8. Part Number CHE00385 - Decal Connect Logo CH140



9. Part Number CHE00127 - Decal SN Plate (Not included in Decal Kit)



10. Part Number 16-00082 - Decal Lift Point



11. Part Number CHE00111 - Decal Warning Nitrogen (N<sup>2</sup>)

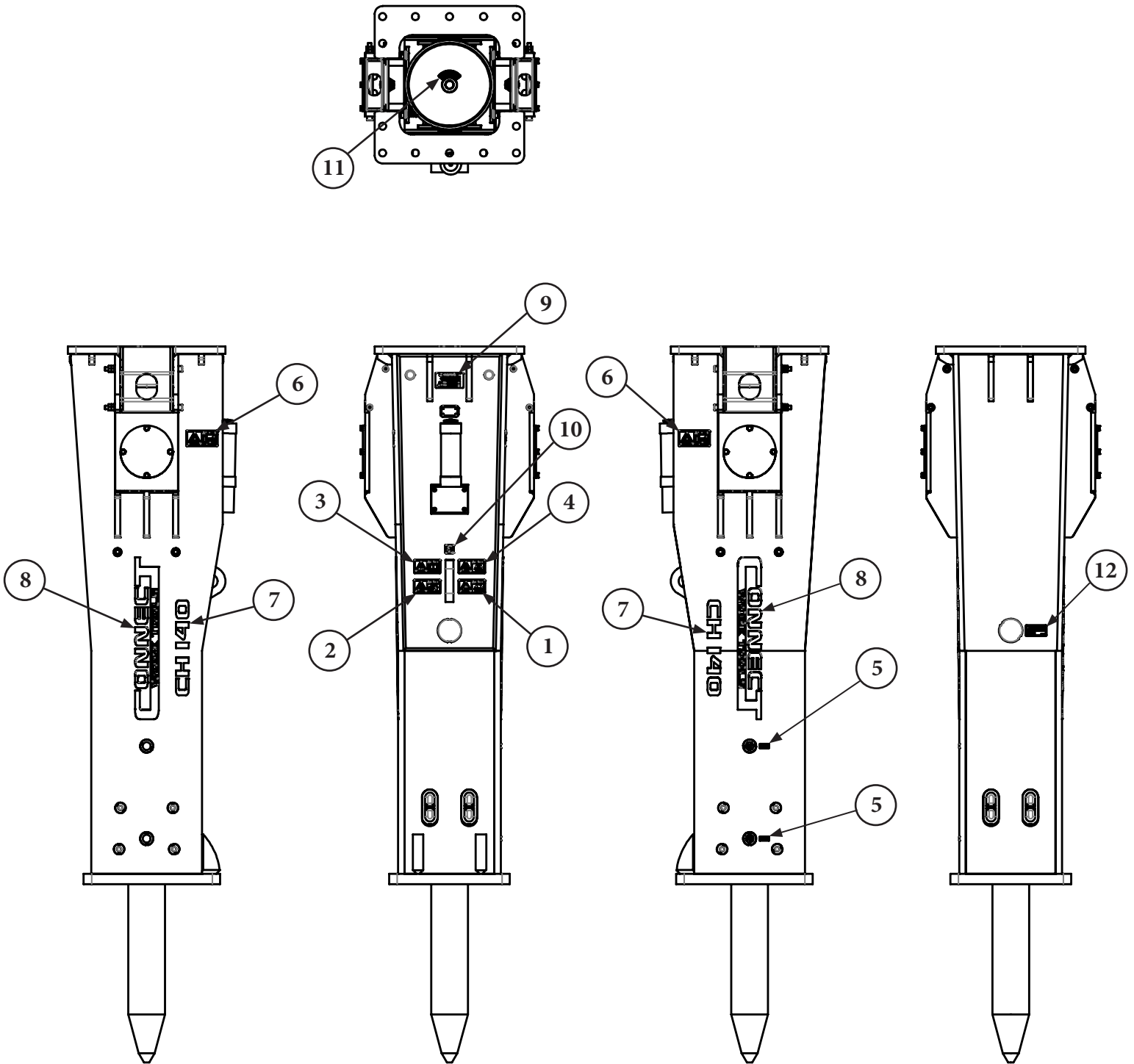


12. Part Number CHE00596 - Decal Warning Anti-Blank Fire

**Part Number CHE00149 - Decal Kit for CH140**

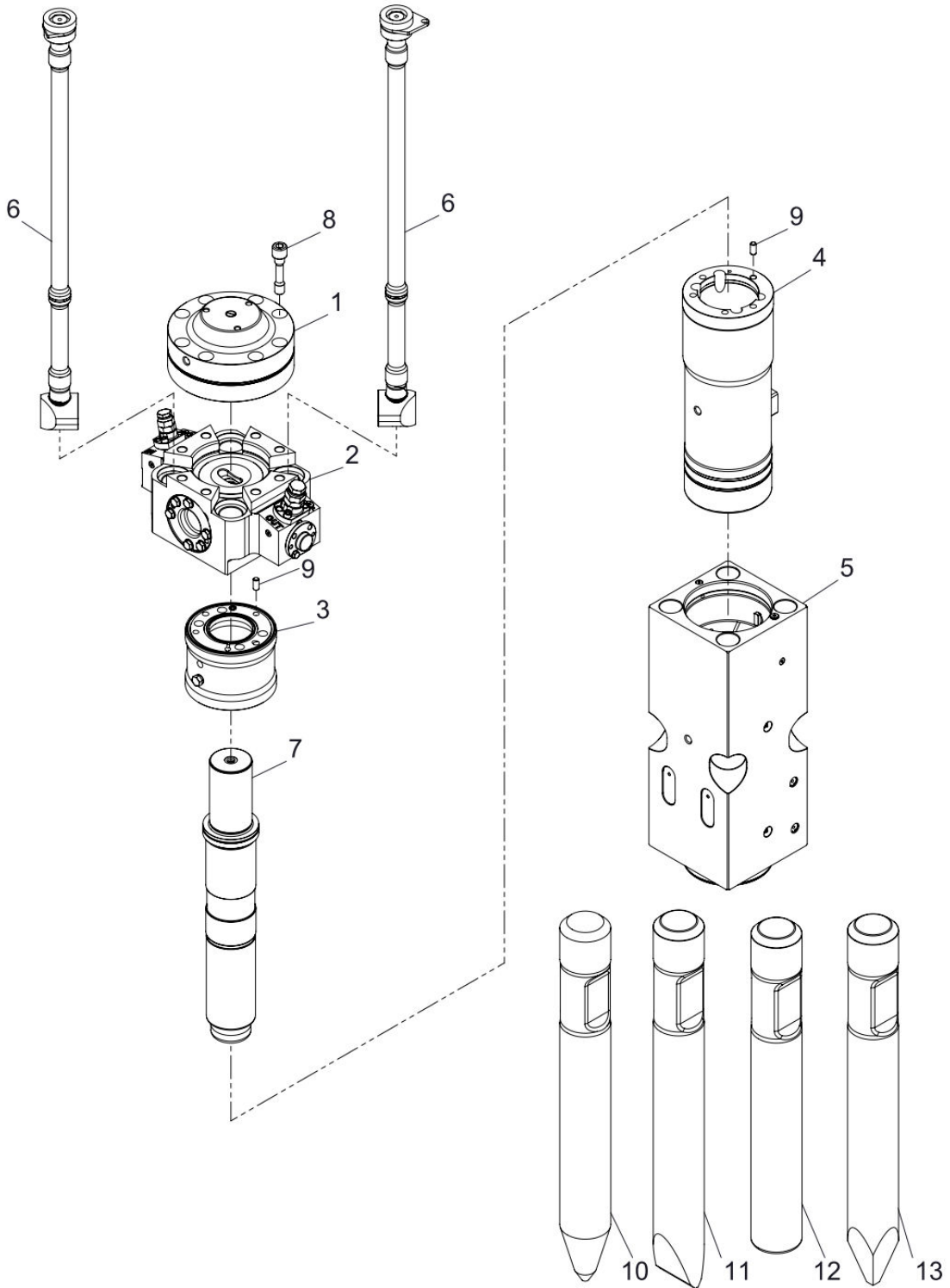
## 2.0 Decals - CH140

### 2.2 Breaker CH140 Side-Plated Decal Placement



# 3.0 Hammer - CH140

## 3-1. Hammer - (Through: S/N 24J-2618)

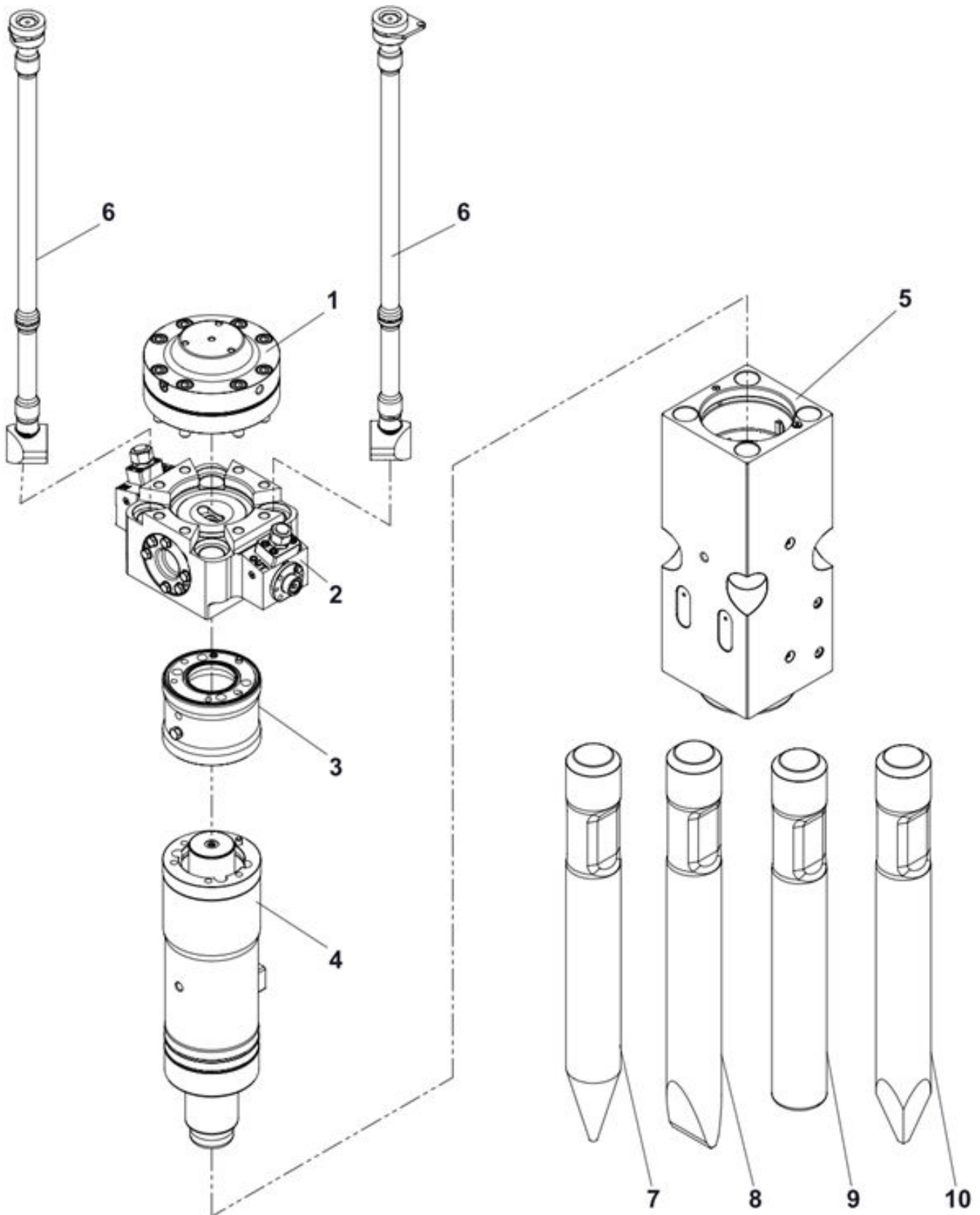


## 3.0 Hammer - CH140

NO.	PART NO.	PART NAME	QTY	REMARK
	CHB7002	<b>HAMMER TOTAL ASSY</b>	1	
1	CHB2506900	ACC. SUB ASSY	1	
2	CHB250691A	VALVE HOUSING SUB ASSY	1	
3	CHB250692A	SEAL HOUSING SUB ASSY	1	
4	CHB250693B	CYLINDER SUB ASSY	1	
5	CHB250694A	FRONT HEAD SUB ASSY	1	
6	CHB2506130K	SIDE ROD SUB ASSY	4	
7	CHB2506050	PISTON	1	
8	CHB2506100	ACCUMULATOR COVER ASSY	8	
9	CHB4006310	GUIDE PIN	2	
10	CHB2006380	TOOL-CONE	1	OPTION
11	CHB2006390	TOOL-CHISEL	1	OPTION
12	CHB2006400	TOOL-BLUNT	1	OPTION
13	CHB2006620	TOOL-MOIL	1	OPTION
	CHB2007800	SEAL KIT		

## 3.0 Hammer - CH140

3-1. Hammer - (From: S/N 25A-2647)

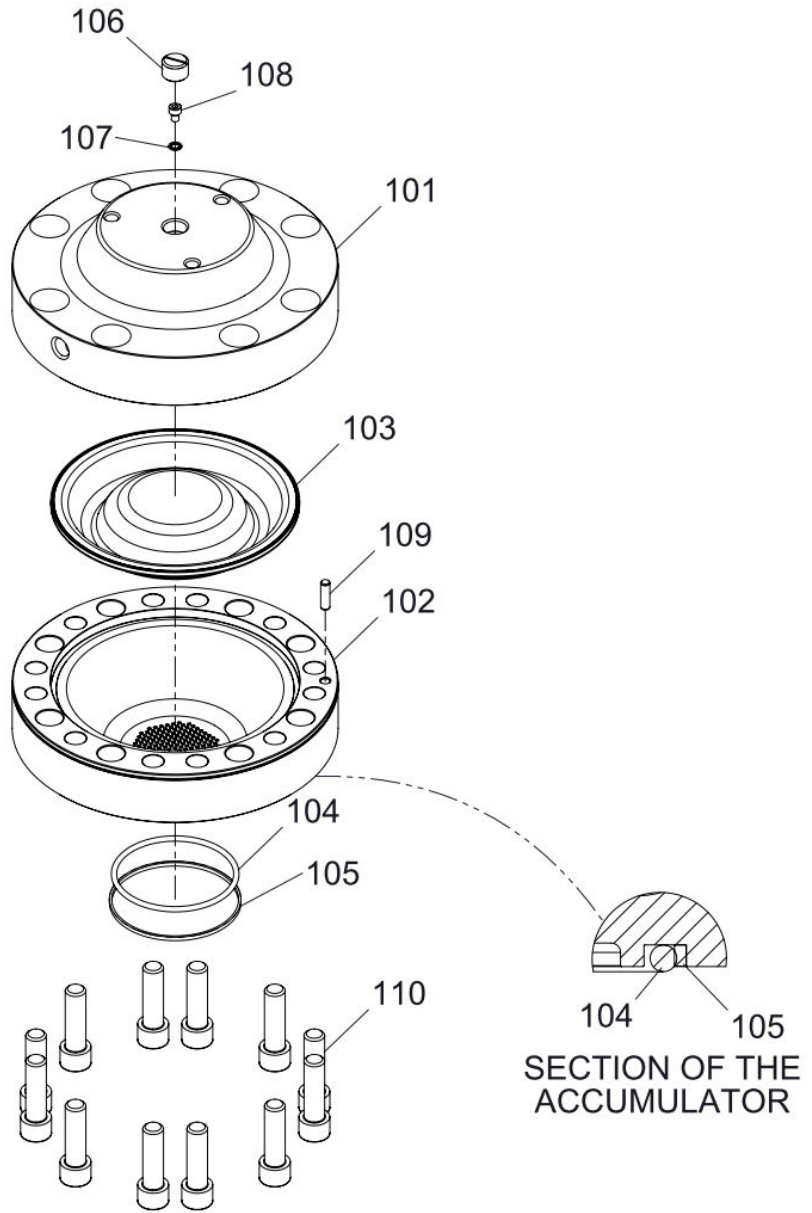


## 3.0 Hammer - CH140

NO.	PART NO.	PART NAME	QTY	REMARK
	CHB700E	<b>HAMMER TOTAL ASSY</b>	1	
1	CHB2506110	ACC. SUB ASSY	1	
2	CHB250691B	VALVE HOUSING SUB ASSY	1	
3	CHB250692A	SEAL HOUSING SUB ASSY	1	
4	CHB250693B	CYLINDER SUB ASSY	1	
5	CHB250694A	FRONT HEAD SUB ASSY	1	
6	CHB2506130K	SIDE ROD SUB ASSY	4	
7	CHB2006380	TOOL-CONE	1	OPTION
8	CHB2006390	TOOL-CHISEL	1	OPTION
9	CHB2006400	TOOL-BLUNT	1	OPTION
10	CHB2006620	TOOL-MOIL	1	OPTION
	CHB2508000	SEAL KIT		

## 3.0 Hammer - CH140

### 3-2. Accumulator Sub Assembly - (Through: S/N 24J-2618)

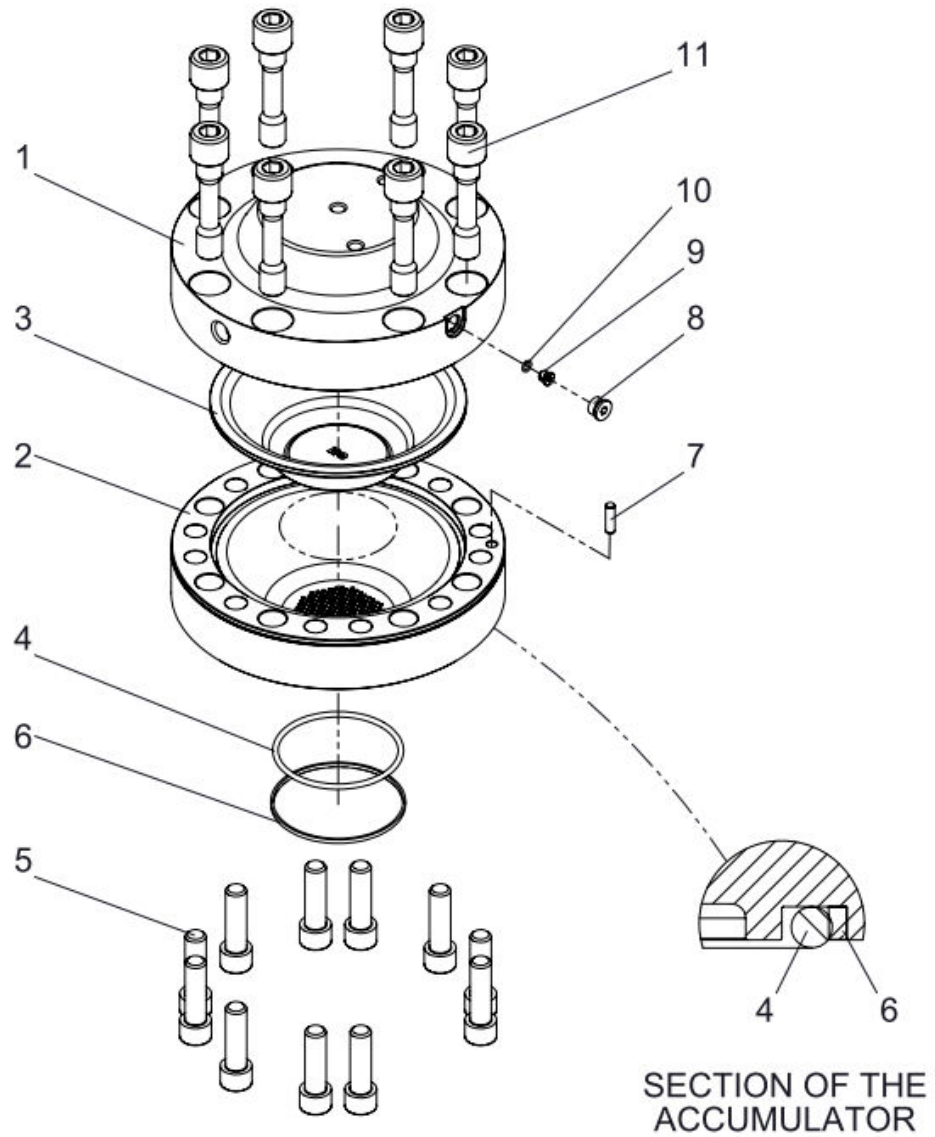


## 3.0 Hammer - CH140

NO.	PART NO.	PART NAME	QTY	REMARK
	CHB2506900	<b>ACCUMULATOR SUB ASSY</b>	1	
101	CHB2506020	ACCUMULATOR COVER	1	
102	CHB250603A	ACCUMULATOR BOTTOM	1	
103	CHB300704U	MEMBRANE	1	
104	CHB2507270	O-RING	1	PART OF SEAL KIT
105	CHB2507280	BACK UP RING	1	PART OF SEAL KIT
106	CHB4007010	ACC. CAP	1	
107	CHB4007020	USIT RING	1	PART OF SEAL KIT
108	CHB4006420	ACC. GAS BOLT	1	
109	CHB4006370	GUIDE PIN	1	
110	CHSB2215075	SOCKET BOLT	12	

## 3.0 Hammer - CH130

### 3-2. Accumulator Sub Assembly - (From: S/N 25A-2647)

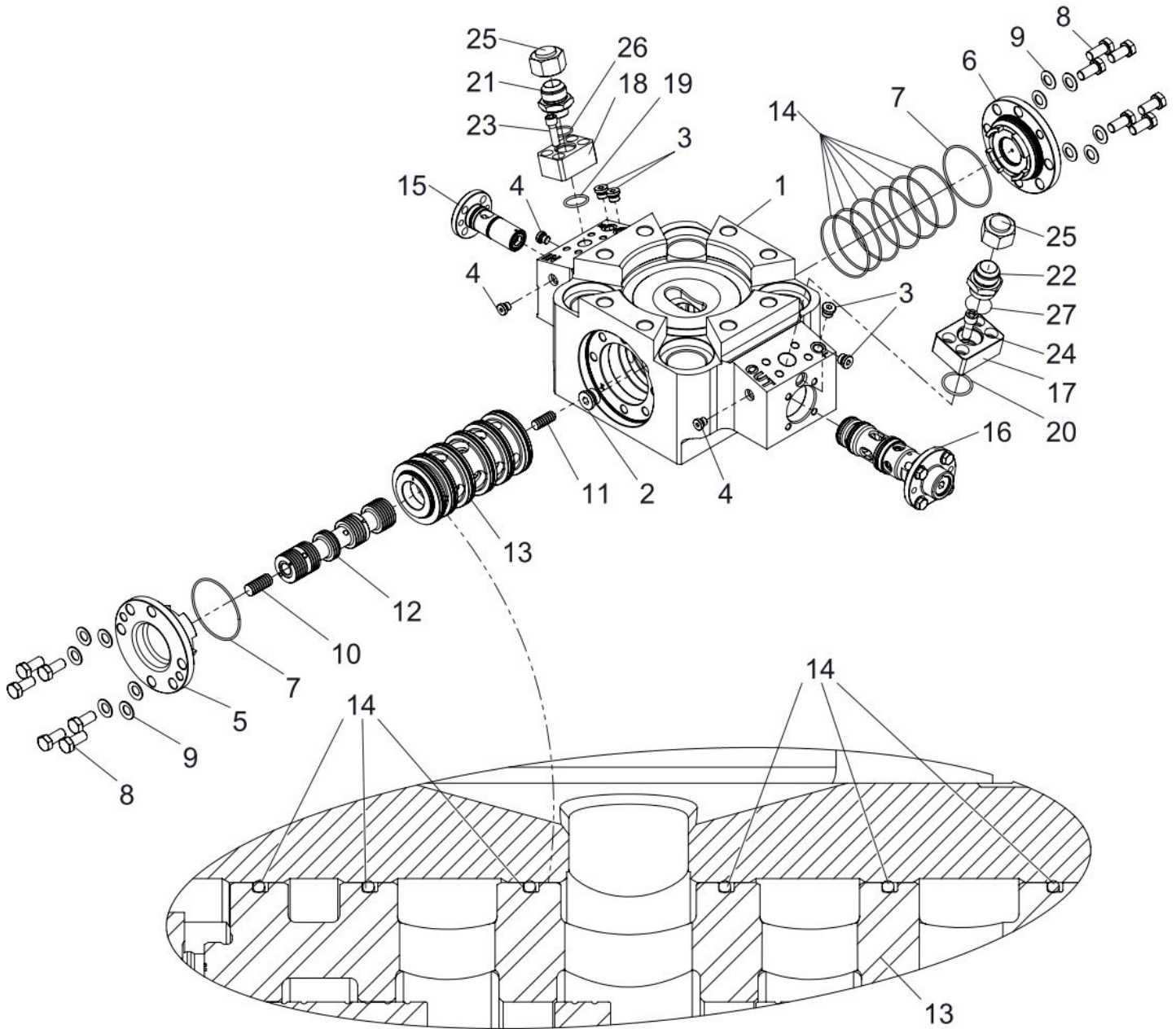


## 3.0 Hammer - CH140

NO.	PART NO.	PART NAME	QTY	REMARK
	CHB2506110	<b>ACCUMULATOR SUB ASSY</b>	1	
1	CHB2506120	ACCUMULATOR COVER	1	
2	CHB250603A	ACCUMULATOR BOTTOM	1	
3	CHB300704U	MEMBRANE	1	
4	CHB2507270	O-RING	1	PART OF SEAL KIT
5	CHSB2215075	SOCKET BOLT	11	
6	CHB2507280	BACK-UP RING	1	PART OF SEAL KIT
7	CHB4006370	GUIDE PIN	1	
8	CHAS066260	HOLLOW HEX PLUG	1	
9	CHB1606520	PLUG BLEED	1	
10	CHB2507240	O-RING	1	PART OF SEAL KIT
11	CHB2506100	ACCUMULATOR COVER BOLT	8	

## 3.0 Hammer - CH140

### 3-3. Valve Housing Sub Assembly



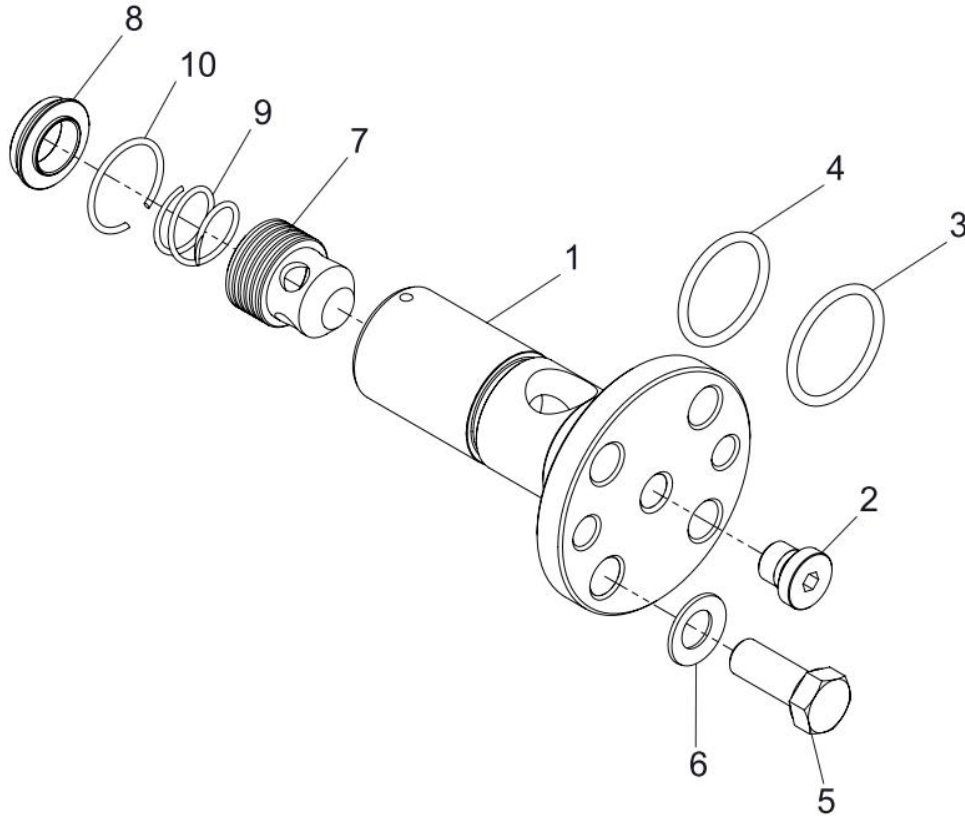
SECTION OF THE SLEEVE

## 3.0 Hammer - CH140

NO.	PART NO.	PART NAME	QTY	REMARK
	CHB250691A	VALVE HOUSING SUB ASSY	1	Through: 24J-2618
	CHB250691B	VALVE HOUSING SUB ASSY	1	From: 25A-2647
1	CHB2506700	VALVE HOUSING	1	
2	CHB2506520	SOCKET PLUG	1	
3	CHB4006910	SOCKET PLUG	4	
4	CHB4006450	SOCKET PLUG	3	
5	CHB2506150	SLEEVE COVER 1	1	
6	CHB2506240	SLEEVE COVER 2	1	
7	CHB2507120	O-RING	2	PART OF SEAL KIT
8	CHHB1620035	HEX BOLT	12	
9	CHCW160000	CONICAL WASHER	12	
10	CHB2506250	SPOOL 1	1	
11	CHB2506160	SPOOL 2	1	
12	CHB2506170	MAIN SPOOL	1	
13	CHB2506180	SLEEVE	1	
14	CHB2507070	O-RING	6	PART OF SEAL KIT
15	CHB160607A	CHECK VALVE SUB ASSY	1	
16	CHB180655A	OPER VALVE SUB ASSY	1	Through: 24J-2618
16	CHB2508300	OPER VALVE SUB ASSY	1	From: 25A-2647
17	CHB3006660	FLANGE	1	OPTION
18	CHB3006670	FLANGE	4	OPTION
19	CHB4007050	O - RING	1	OPTION
20	CHB4007060	O - RING	1	OPTION
21	CHAUF16MJC20M	ADAPTER	1	OPTION
22	CHAUF20MJC20M	ADAPTER	1	OPTION
23	CHSB1217040	SOCKET BOLT	4	OPTION
24	CHSB1420040	SOCKET BOLT	4	OPTION
25	CHCJC20F	UNION CAP	1	OPTION
26	CHV4300010	O-RING	1	OPTION
27	CHA3007390	O-RING	2	OPTION

## 3.0 Hammer - CH140

### 3-3-1. Check Valve Sub Assembly

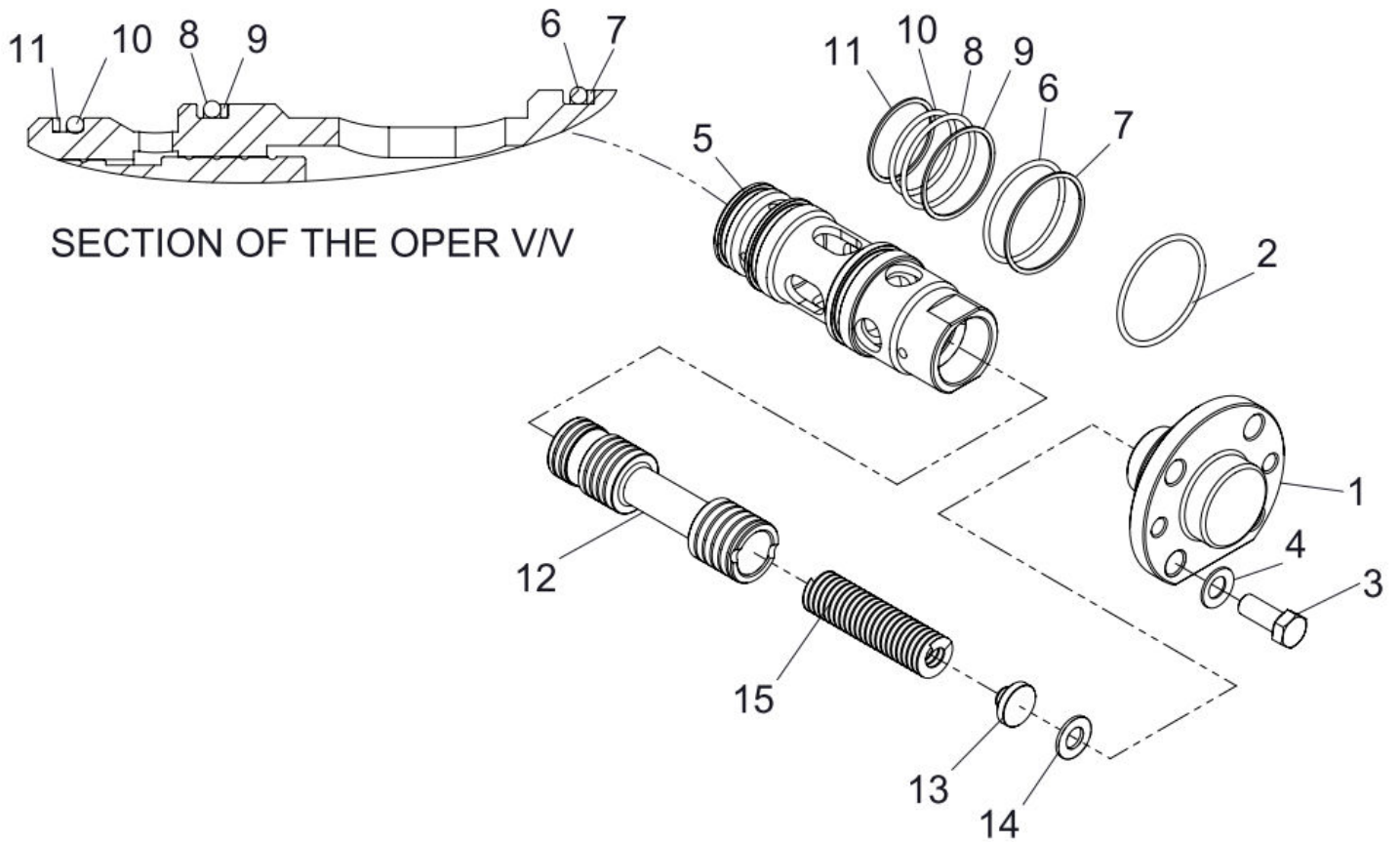


NO.	PART NO.	PART NAME	QTY	REMARK
	CHB160607A	<b>CHECK VALVE SUB ASSY</b>	1	
1	CHB2506210	CHECK VALVE HOUSING	1	
2	CHB4006450	SOCKET PLUG	1	
3	CHB2507290	O-RING	1	PART OF SEAL KIT
4	CHB2507300	O-RING	1	PART OF SEAL KIT
5	CHHB1217030	HEX BOLT	4	
6	CHCW120000	CONICAL WASHER	4	
7	CHB2506220	CHECK VALVE SPOOL	1	
8	CHB2506230	CHECK V/V SPRING GUIDE	1	
9	CHB2506480	CHECK VALVE SPRING GUIDE	1	
10	CHB2506490	LOCK RING	1	



## 3.0 Hammer - CH140

### 3-3-2. Oper. Valve Sub Assembly - *(Through: S/N 24J-2618)*

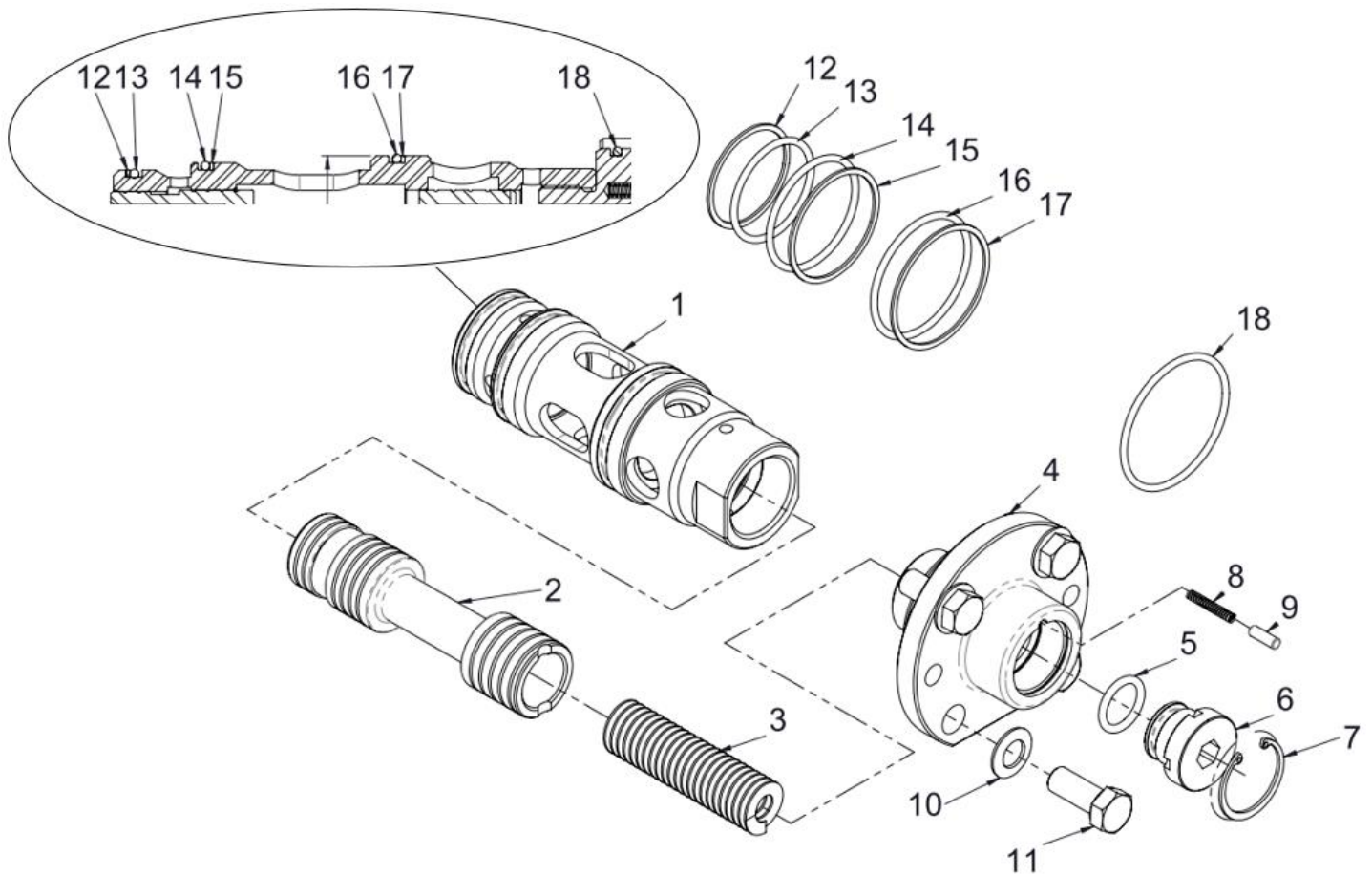


## 3.0 Hammer - CH140

NO.	PART NO.	PART NAME	QTY	REMARK
	CHB180655A	<b>OPER VALVE SUB ASSY</b>	1	
1	CHB2506300	OPER. VALVE COVER	1	
2	CHB4007200	O-RING	1	PART OF SEAL KIT
3	CHHB1217030	HEX. BOLT	4	
4	CHCW120000	CONICAL WASHER	4	
5	CHB2506260	OPER. VALVE GUIDE	1	
6	CHB4007190	O-RING	1	PART OF SEAL KIT
7	CHB6007350	BACK UP RING	1	PART OF SEAL KIT
8	CHB2507200	O-RING	1	PART OF SEAL KIT
9	CHB2507360	BACK UP RING	1	PART OF SEAL KIT
10	CHB2507190	O-RING	1	PART OF SEAL KIT
11	CHB2507350	BACK UP RING	1	PART OF SEAL KIT
12	CHB2506270	OPER. VALVE SPOOL	1	
13	CHB2506280	OPER.V/V SPRING GUIDE	1	
14	CHB2506440	SHIM PLATE	1	
15	CHB2506870	OPER. VALVE SPRING	1	

## 3.0 Hammer - CH140

### 3-3-2. Oper. Valve Sub Assembly - (From: S/N 25A-2647)

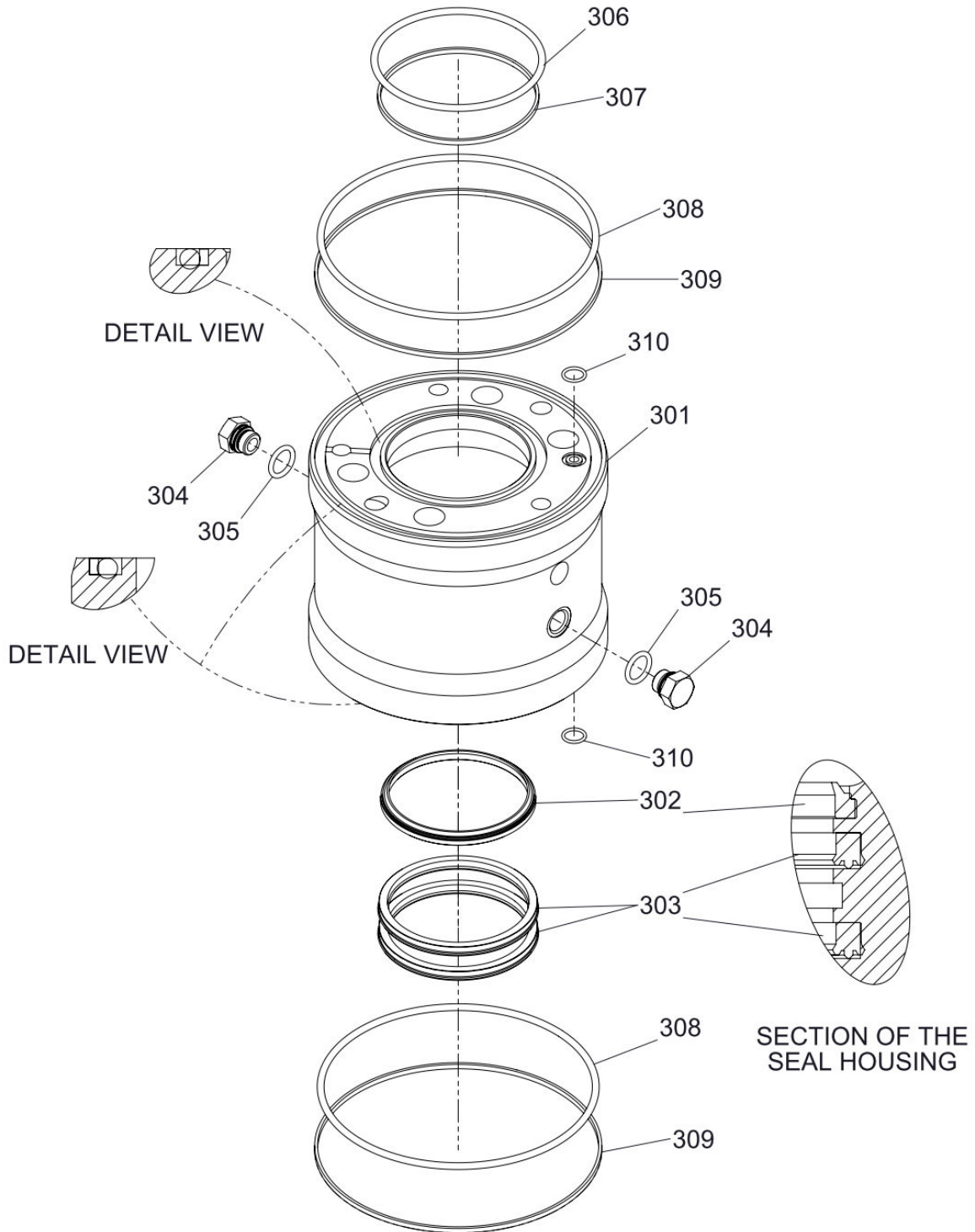


## 3.0 Hammer - CH140

NO.	PART NO.	PART NAME	QTY	REMARK
	CHB2508300	<b>OPER. VALVE SUB ASSY</b>	1	
1	CHB2506260	OPER. VALVE GUIDE	1	
2	CHB2506270	OPER. VALVE SPOOL	1	
3	CHB2506870	OPER. VALVE SPRING	1	
4	CHB2508310	OPER. VALVE COVER	1	
5	CHB2508360	O-RING	1	PART OF SEAL KIT
6	CHB2508320	SCREW ADJUSTER	1	
7	CHB2508330	SNAP RING	1	
8	CHN4007860	SPRING	1	
9	CHB2508340	DOWEL	1	
10	CHCW120000	CONICAL WASHER	4	
11	CHHB1217030	HEX BOLT	4	
12	CHB2507350	BACK-UP RING	1	PART OF SEAL KIT
13	CHB2507190	O-RING	1	PART OF SEAL KIT
14	CHB2507200	O-RING	1	PART OF SEAL KIT
15	CHB2507360	BACK-UP RING	1	PART OF SEAL KIT
16	CHB4007190	O-RING	1	PART OF SEAL KIT
17	CHB6007350	BACK-UP RING	1	PART OF SEAL KIT
18	CHB4007200	O-RING	1	PART OF SEAL KIT

## 3.0 Hammer - CH140

### 3-4 Seal Housing Sub Assembly

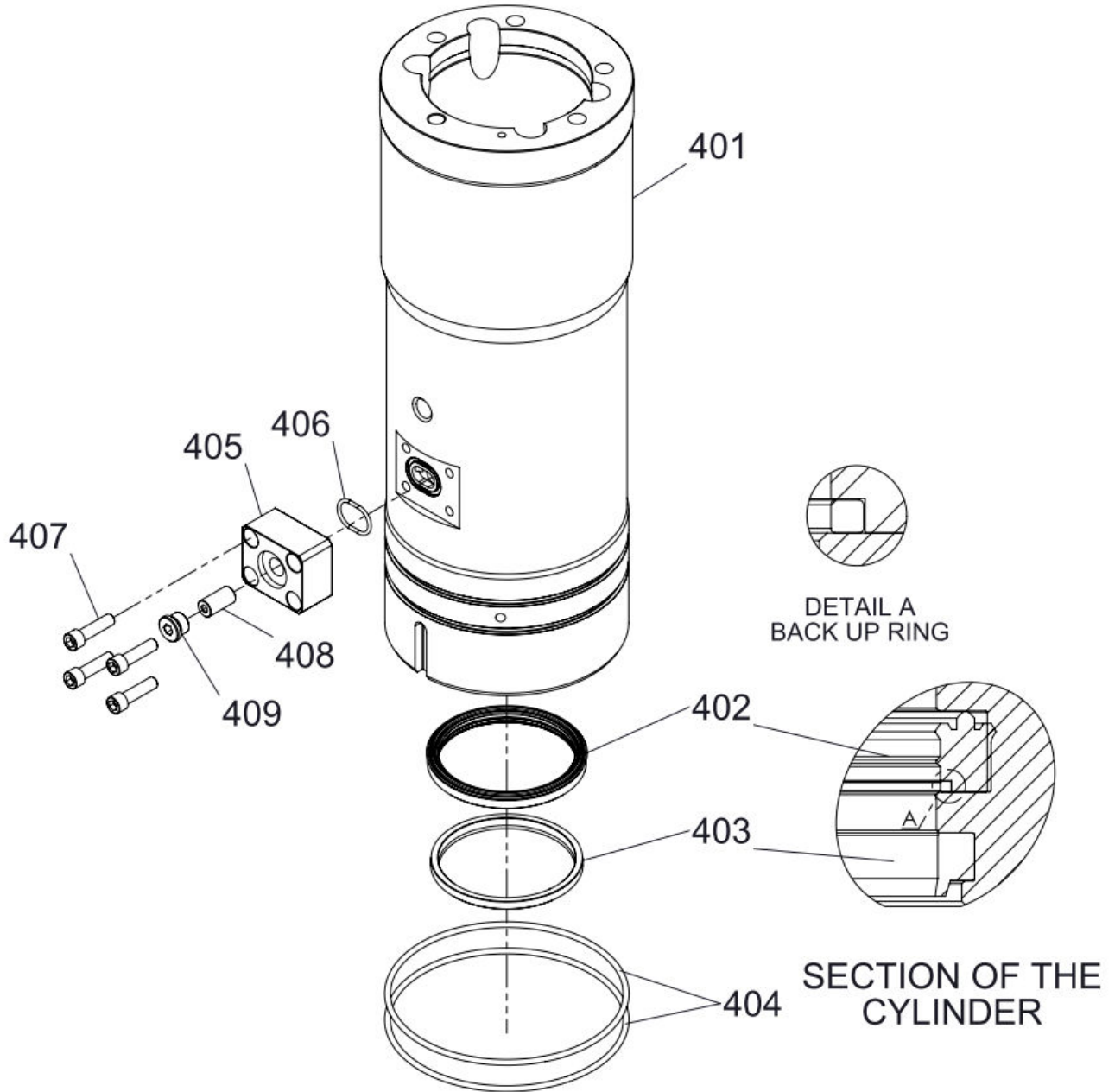


## 3.0 Hammer - CH140

NO.	PART NO.	PART NAME	QTY	REMARK
	CHB250692A	<b>SEAL HOUSING SUB ASSY</b>	1	
301	CHB2506710	SEAL HOUSING	1	
302	CHB2507140	WIPER	1	PART OF SEAL KIT
303	CHB2507150	SEAL	2	PART OF SEAL KIT
304	CHB2006870	AIR VENT PLUG	2	
305	CHB0407150	O-RING	2	PART OF SEAL KIT
306	CHB2507080	O-RING	1	PART OF SEAL KIT
307	CHB2507090	BACK UP RING	1	PART OF SEAL KIT
308	CHB2507100	O-RING	2	PART OF SEAL KIT
309	CHB2507110	BACK UP RING	2	PART OF SEAL KIT
310	CHB4007310	O-RING	2	PART OF SEAL KIT

## 3.0 Hammer - CH140

### 3-5. Cylinder Sub Assembly

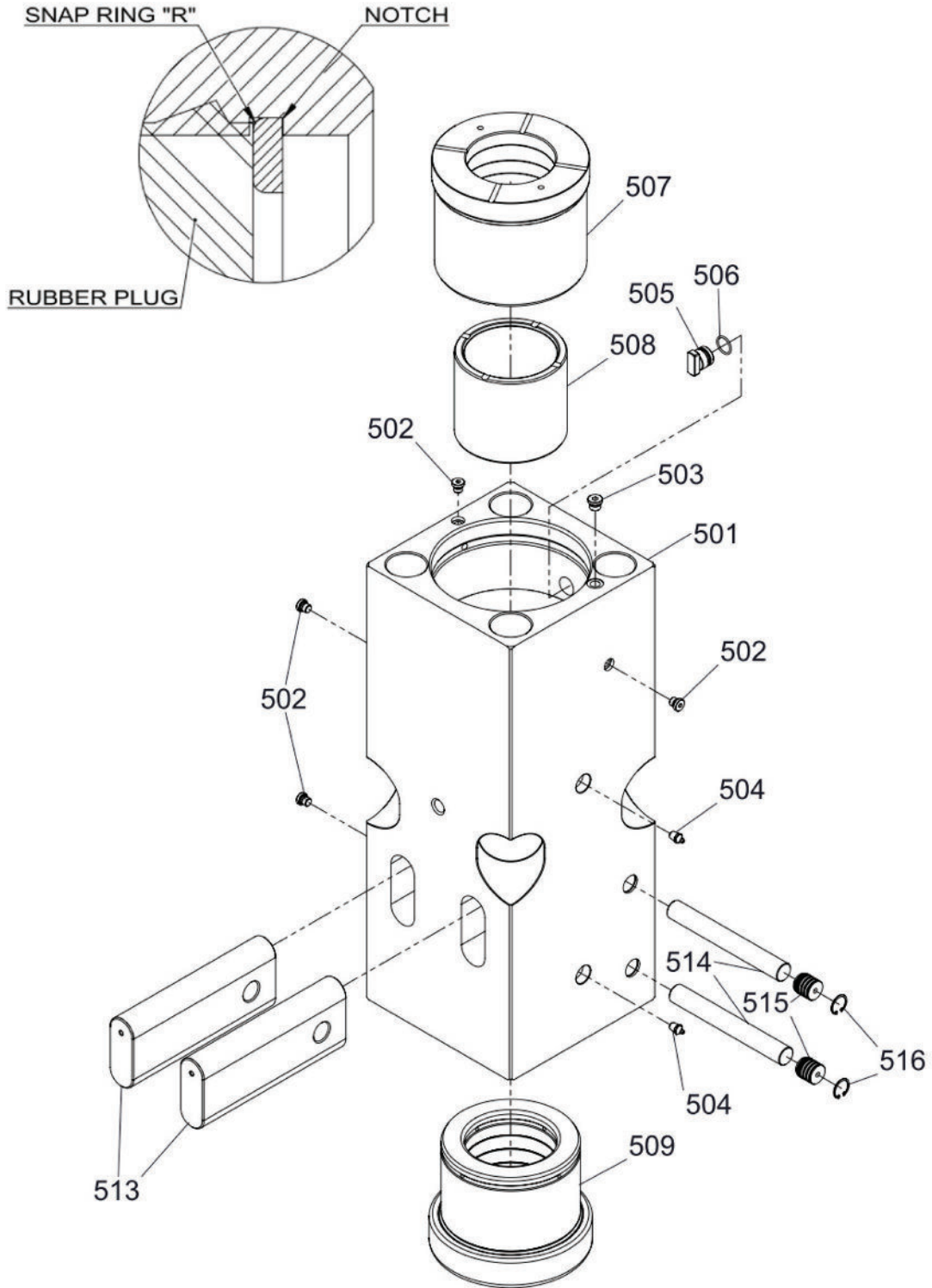


## 3.0 Hammer - CH140

NO.	PART NO.	PART NAME	QTY	REMARK
	CHB250693B	<b>CYLINDER SUB ASSY</b>	1	
401	CHB2506750	CYLINDER	1	
402	CHB2507160	SEAL	1	PART OF SEAL KIT
403	CHB2507170	WIPER	1	PART OF SEAL KIT
404	CHB2507130	O-RING	2	PART OF SEAL KIT
405	CHB2806360	STOP VALVE	1	
406	CHA3206550	O-RING	1	PART OF SEAL KIT
407	CHSB1217045	SOCKET BOLT	4	
408	CHB1406790	ASO PIN	1	
409	CHA1206780	METRIC HOLLOW HEX PLUG	1	

## 3.0 Hammer - CH140

### 3-6. Front Head Sub Assembly

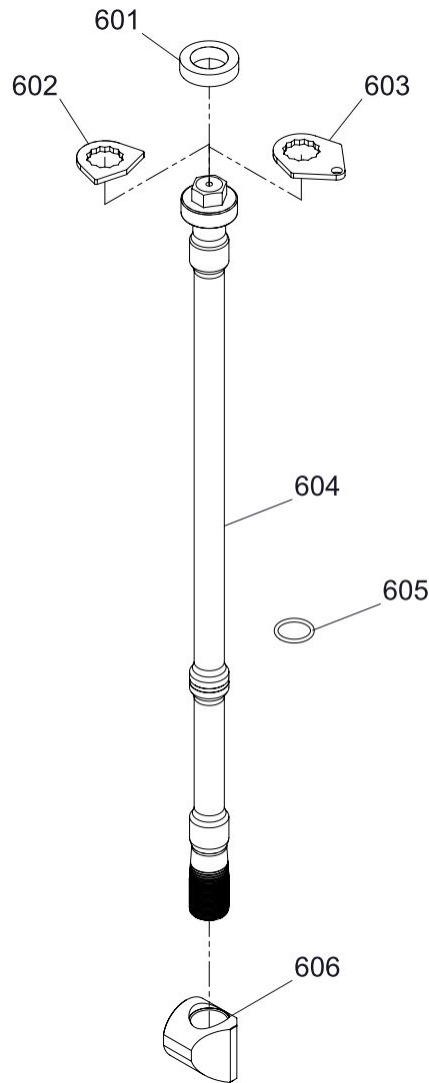


## 3.0 Hammer - CH140

NO.	PART NO.	PART NAME	QTY	REMARK
5	CHB250694A	<b>FRONT HEAD SUB ASSY</b>	1	
501	CHB2506810	FRONT HEAD	1	
502	CHB4006450	SOCKET PLUG	4	
503	CHB4006910	SOCKET PLUG	1	
504	CHB4006560	GREASE NIPPLE	2	
505	CHB4006330	WEDGE	1	
506	CHB4007260	O-RING	1	PART OF SEAL KIT
507	CHB2506730	THRUST RING	1	
508	CHB2506080	UPPER BUSHING	1	
509	CHB2506840	TOOL BUSHING	1	
513	CHB2506340	TOOL PIN	2	
514	CHA5006050	BUSHING PIN	2	
515	CHB3006580	RUBBER PLUG	2	
516	CHB3006570	SNAP RING	2	

## 3.0 Hammer - CH140

### 3-7. Side Rod Sub Assembly

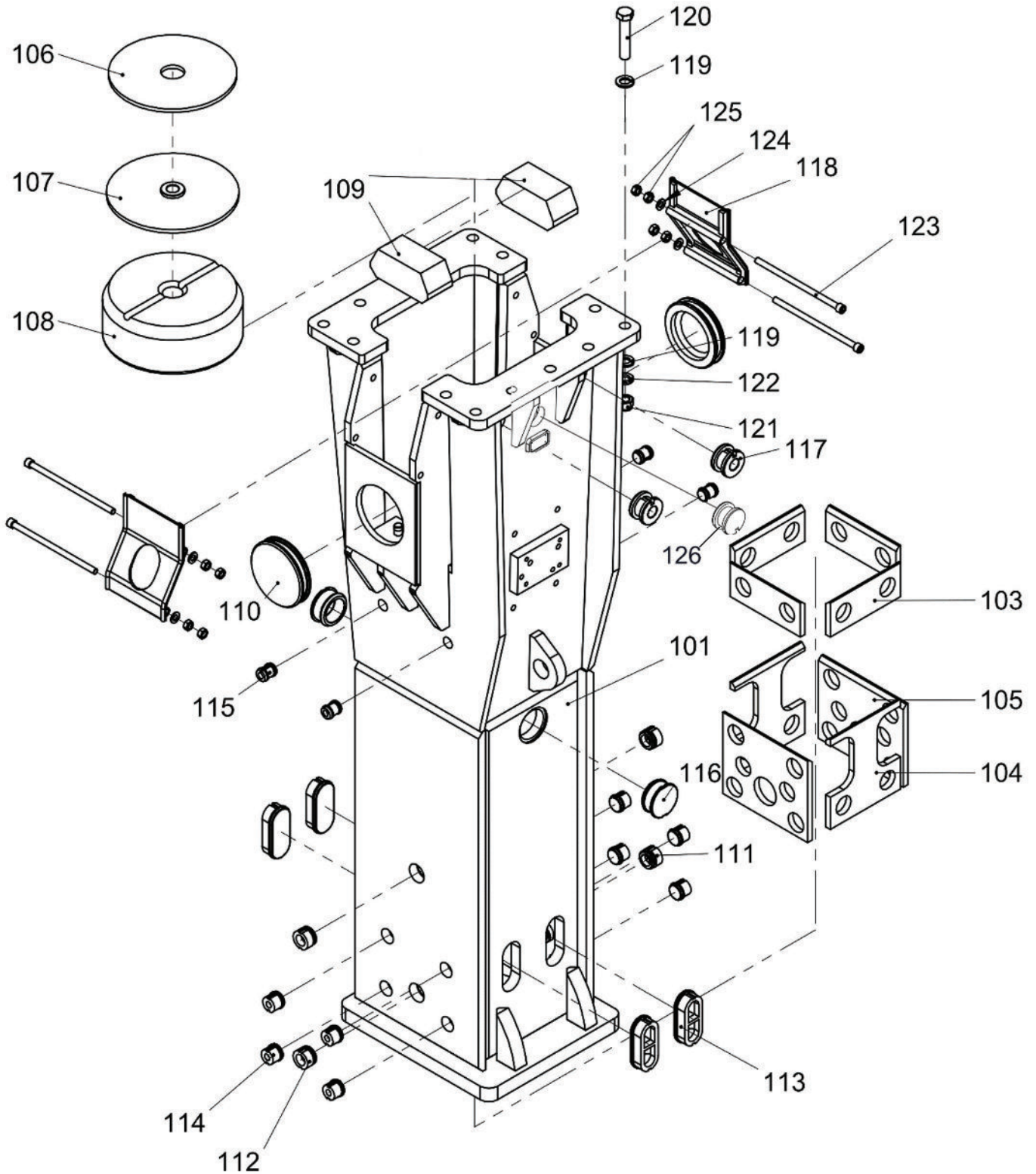


NO.	PART NO.	PART NAME	QTY	REMARK
	CHB2006130K	<b>SIDE ROD SUB ASSY</b>	4	
601	CHB3007030	RUBBER RING	1	
602	CHB3006110	LOCK WASHER	1	3 OF 4
603	CHB3006120	LOCK WASHER	1	1 OF 4
604	CHB2006130	SIDE ROD	1	
605	CHB2007250	O-RING	1	PART OF SEAL KIT
606	CHB2006140	SIDE ROD NUT	1	



## 4.0 Housing - CH140

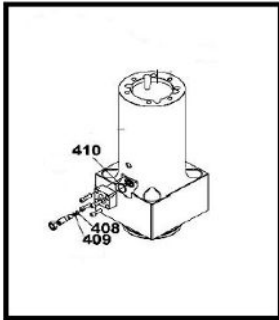
### 4-1. Box Housing



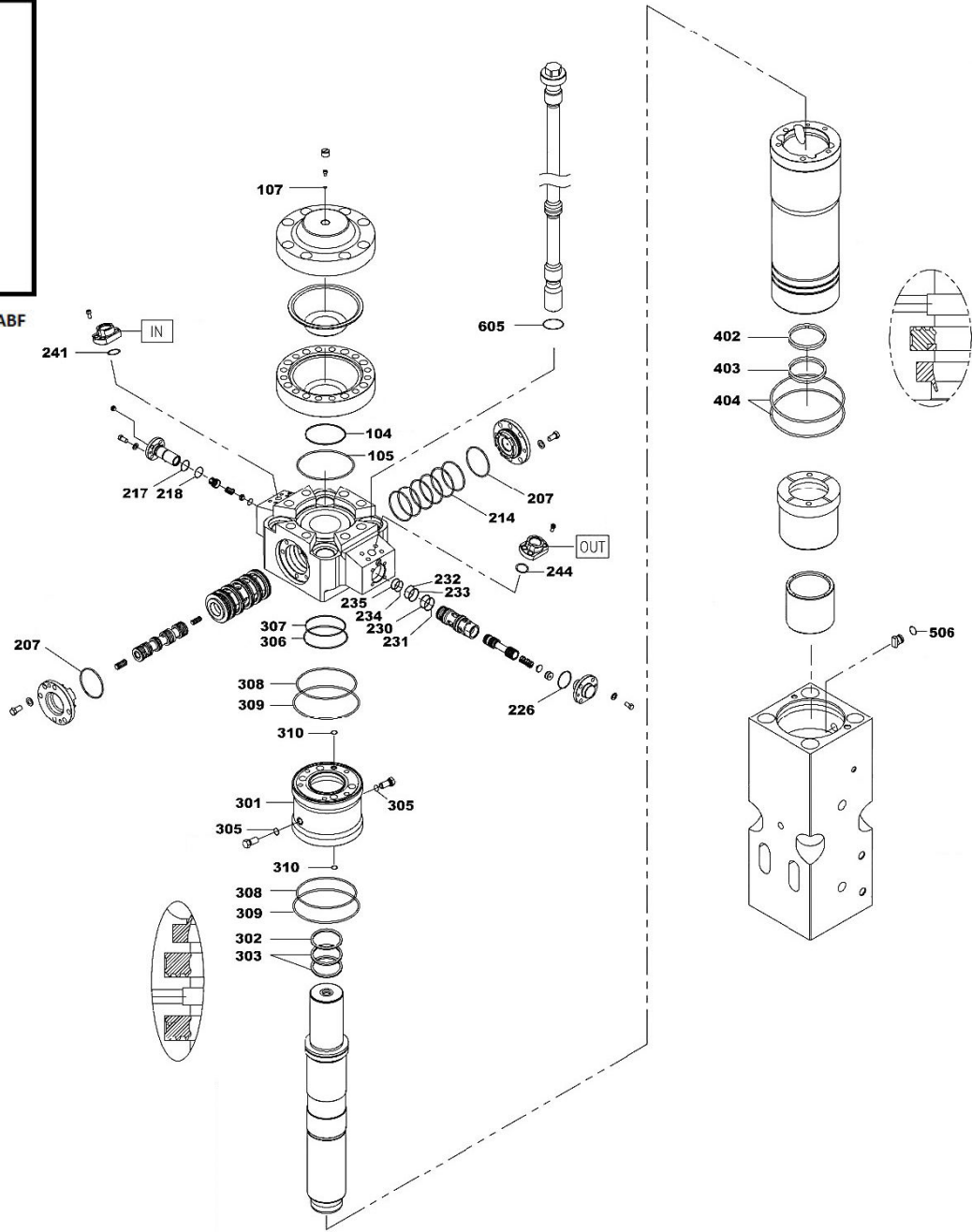
## 4.0 Housing - CH140

NO.	PART NO.	PART NAME	QTY	REMARK
	CHB2503900	<b>HOUSING TOTAL ASSY</b>	1	
101	CHB2503910	HOUSING WELD ASSY	1	
103	CHB2500030	WEARING PLATE	4	
104	CHB2500040	WEARING PLATE	2	
105	CHB2500050	WEARING PLATE	2	
106	CHB2500060	TOP WEARING PLATE	1	
107	CHB2500070	TOP PLATE ASSY	1	
108	CHB2000080	TOP BUFFER	1	
109	CHB2500090	SIDE BUFFER	2	
110	CHB2500100	RUBBER	2	
111	CHB3200040	RUBBER GREASE	2	
112	CHB3200050	RUBBER PLUG	2	
113	CHB2500110	RUBBER PLUG	4	
114	CHB4000130	RUBBER PLUG	8	
115	CHB3000140	RUBBER PLUG	4	
116	CHB1601460	RUBBER PLUG	2	
117	CHB400W27A	RUBBER PLUG	2	
118	CHB2500150	PORT COVER	2	
119	CHPW240000	PLAIN WASHER	28	
120	CHHB2430120	HEX. BOLT	14	
121	CHNN243000	NYLON NUT	14	
122	CHSW240000	SPRING WASHER	14	
123	CHSB1420280	SOCKET BOLT	4	
124	CHPW140000	PLAIN WASHER	4	
125	CHHN142000	HEX NUT	8	
126	CHB400W270	RUBBER PLUG	2	

# 5.0 Seal Kits - CH140



ANTI BLANK FIRE MODEL ABF

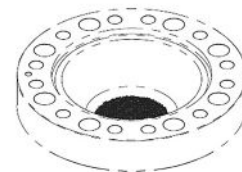
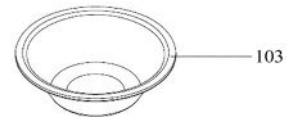
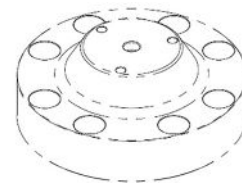
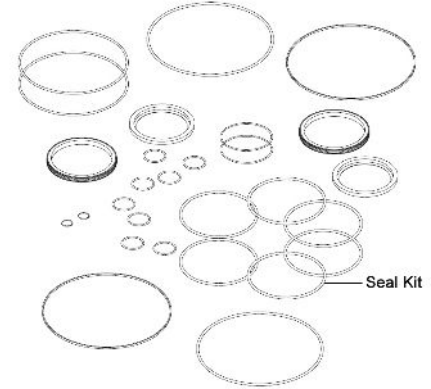
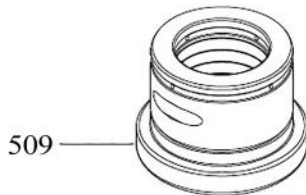
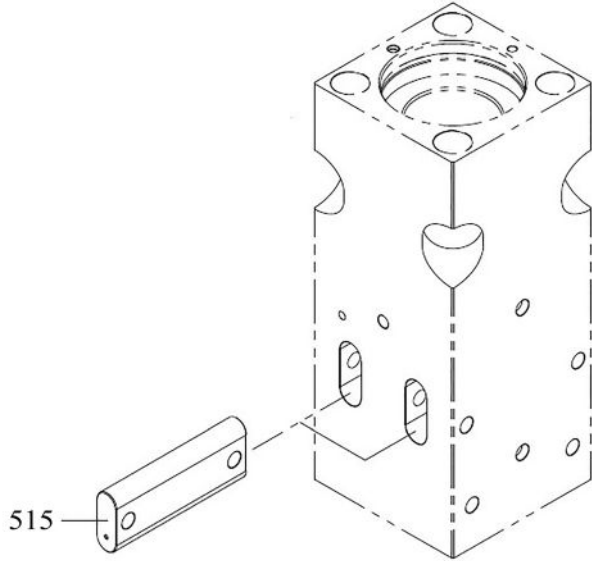


## 5.0 Seal Kit - CH140

ITEM	ILLUSTRATION	QTY	DESCRIPTION	PART NUMBER	ASSEMBLY AREA
1		1	SEAL KIT	CHB2507800HX	
2	241	1	O - RING	CHB4007050	FLANGE (IN)
3	244	1	O - RING	CHB4007060	FLANGE (OUT)
4	214	6	O - RING	CHB2507070	SLEEVE
5	306	1	O - RING	CHB2507080	SEAL HOUSING
6	307	1	BACK UP RING	CHB2507090	SEAL HOUSING
7	308	2	O - RING	CHB2507100	SEAL HOUSING
8	309	2	BACK UP RING	CHB2507110	SEAL HOUSING
9	207	2	O - RING	CHB2507120	SLEEVE COVER 1,2
10	404	2	O - RING	CHB2507130	CYLINDER
11	302	1	WIPER	CHB2507140	SEAL HOUSING
12	303	2	SEAL	CHB2507150	SEAL HOUSING
13	402	1	SEAL	CHB2507160	CYLINDER
14	403	1	WIPER	CHB2507170	CYLINDER
15	234	1	O - RING	CHB2507190	V/V GUIDE
16	232	1	O - RING	CHB2507200	V/V GUIDE
17	230	1	O - RING	CHB4007190	V/V GUIDE
18	226	1	O - RING	CHB4007200	V/V COVER
19	605	4	O - RING	CHB2507250	SIDE ROD
20	506	1	O - RING	CHB4007260	WEDGE
21	107	1	USIT RING	CHB4007020	ACC. COVER
22	104	1	O - RING	CHB2507270	ACC. BOTTOM
23	105	1	BACK UP RING	CHB2507280	ACC. BOTTOM
24	217	1	O - RING	CHB2507290	CHECK V/V HOUSING
25	218	1	O - RING	CHB2507300	CHECK V/V HOUSING
26	310	2	O - RING	CHB4007310	SEAL HOUSING
27	235	1	BACK UP RING	CHB2507350	V/V GUIDE
28	233	1	BACK UP RING	CHB2507360	V/V GUIDE
29	231	1	BACK UP RING	CHB6007350	V/V GUIDE
30	305	2	O - RING	CHB0407150	AIR VENT PLUG
31	408	1	O - RING	CHA3206550	CYLINDER / STOP VALVE
32	409	1	O - RING	CHB1807310	CYLINDER / ADJUST BOLT
33	410	1	BACK UP RING	CHA3007160	CYLINDER / ADJUST BOLT
34	514	1	WIPER	CHB2507320	TOOL BUSHING (OPTION)

## 6.0 Rebuild Kits - CH140

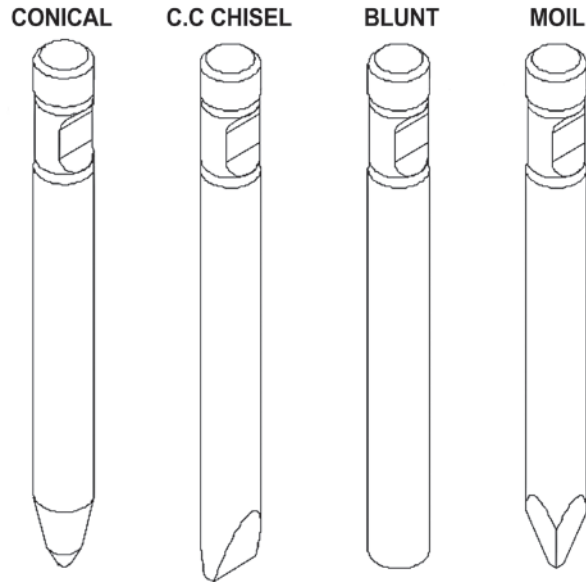
### 6.1 Rebuild Kits



REBUILD KIT - CH140			
ITEM	QTY	DESCRIPTION	PART NUMBER
	1	KIT	CHTKB700EXO
515	2	TOOL PIN	CHB2506340
509	1	TOOL BUSHING	CHB2506840
103	1	MEMBRANE	CHB300704A
	1	SEAL KIT	CHB2507800HX

## 7.0 Tool Bits - CH140

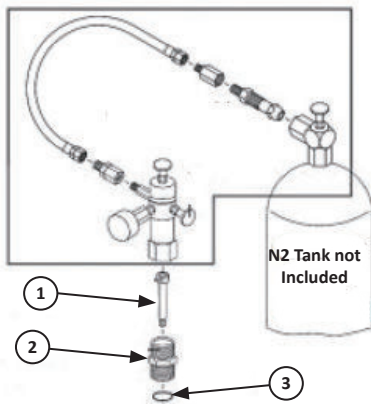
### 7.1 Tool Bits



### TOOL BITS - CH140

TOOL TYPE	PART NUMBER
CONICAL	CHB2506380
CHISEL	CHB2506390
BLUNT	CHB2506400
MOIL	CHB2506620

## 8.0 Tools Nitrogen (N<sup>2</sup>) Charge Kit



NITROGEN CHARGE KIT  
Part Number: CHT0006

### TOOLING NITROGEN (N<sub>2</sub>) CHARGE KIT

ITEM	PART NUMBER	DESCRIPTION	QTY
	CHTBMS0001	N2 CHARGE KIT	1
1	CHBM1C60052	CHARGE TOOL SOCKET HEAD BOLT	1
2	CH1G020026	CHARGE TOOL ADAPTER	1
3	CGA2507380	O-RING	1

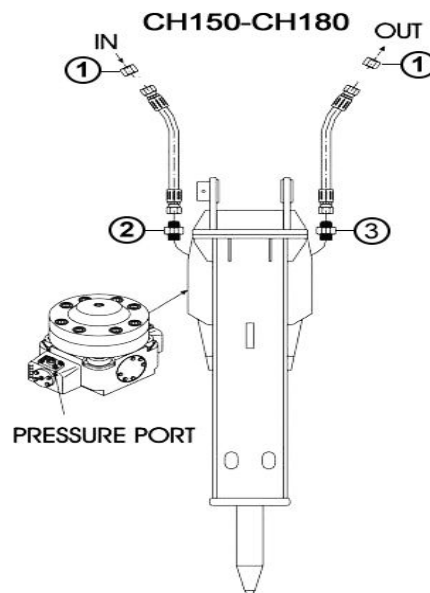
## 9.0 Hoses - CH140

MODEL	HOSE CHART - CH140				
	PART NUMBER	LENGTH	DIA. / PSI	FITTING 1	FITTING 2
CH140	40-02172	102"	1.25"/3000	20FJSW	20FJSW

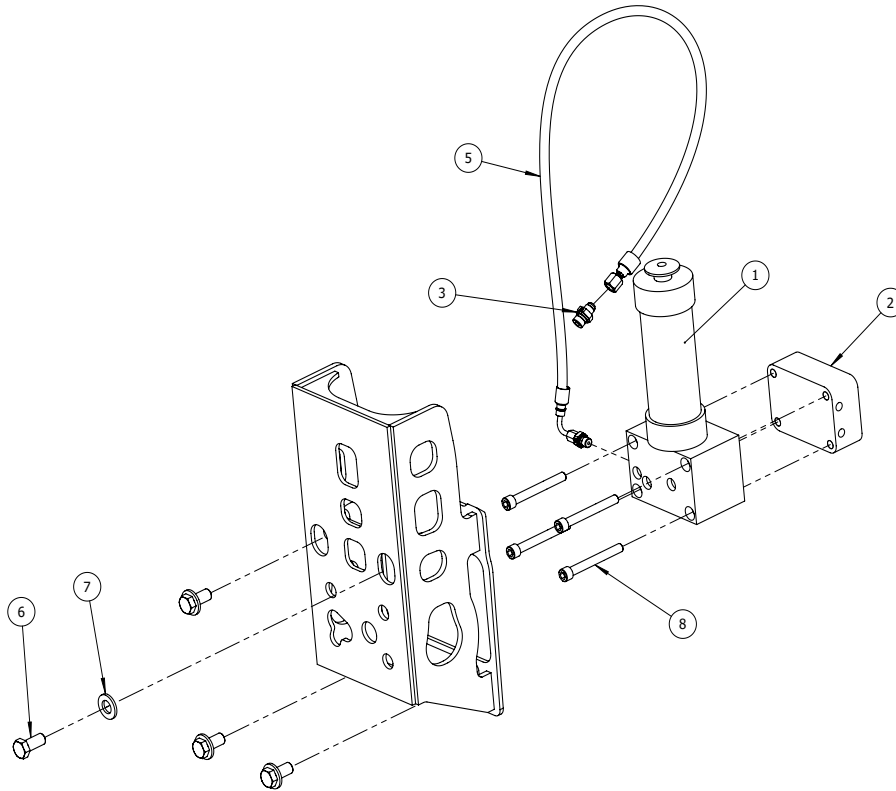
MODEL	HOSE PLUGS - CH140		
	PART NUMBER	ITEM	DESCRIPTION
CH140	CHE00199	1	Plug 16 JIC 37 Degree

MODEL	HOSE ADAPTORS - INLET BREAKER PORT				
	ADAPTOR PN #	ITEM	FLANGE	INLET ADAPTOR	HOSE / CARRIER
CH140	CHE00202	2	CHB1506670	-16 SAE ORB	-16 JIC

MODEL	HOSE ADAPTORS - OUTLET BREAKER PORT				
	ADAPTOR PN #	ITEM	FLANGE	INLET ADAPTOR	HOSE / CARRIER
CH140	CHE00266	3	CHB1506660	-20 SAE ORB	-16 JIC



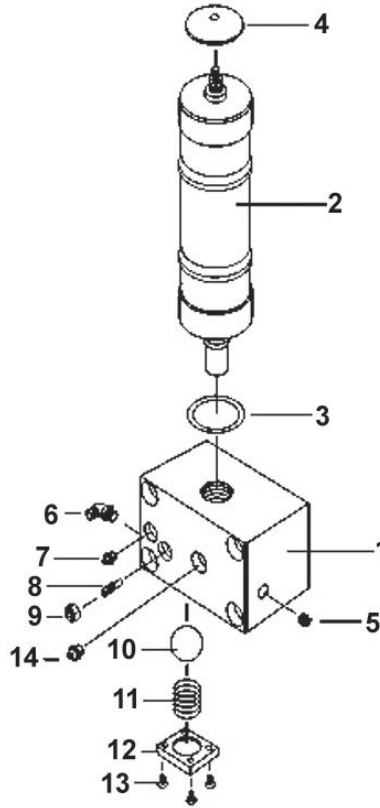
## 10.0 Mounted Lubricator - Medium Series - CH140



### MOUNTED LUBRICATOR - CH140

ITEM	QTY	DESCRIPTION	PART NUMBER
1	1	AUTO GREASE PUMP(U)/500ML	CHAGRU0500
2	1	GREASE PUMP PLATE BML WELD-ON	CHB2003550
3	2	ADAPTER	CHBHSSG102
4	1	WLDT BML LUBE GUARD	CHE01091
5	1	PLUMBING KIT BML CH110-CH175	CHE01743
6	4	HEX BOLT	CHHB1620035
7	4	WASHER M16 - 25.4 X 3.4 P_	CHPW160000
8	4	SH CS M12 - 1.75 X 100 B_12.9	CHSB1217100

## 11.0 Breaker Mounted Lubricator



### BREAKER MOUNTED LUBRICATOR

ITEM	PARTS NO.	DESCRIPTION
	CHAGRU0500	PUMP
1	CHHLU-0300	11U-BODY
2	CHHL0101	RECHARGEABLE CARTRIDGE
3	CHHL0041	O-RING
4	CHHL0810	HANDLE
5	CHHL0920	PLUG
6	CHHL0360	ZERK
7	CHHNG18	ZERK -GREASE
8	CHHL0240	ADJUSTER
9	CHHNM1201	NUT
10	CHHL0350	BALL
11	CHHL0220	SPRING
12	CHHL0330	COVER
13	CHJBM0615	BOLT
14	CHHNG18	ZERK-GREASE



**CONNECT**<sup>TM</sup>  
**WORK TOOLS**

---

---

**920.238.6657**

*[www.connectworktools.com](http://www.connectworktools.com)*

