
CONNECTTM
WORK TOOLS



Medium Series Breaker

Model: CH130

Parts Manual CH-Series



Part #CHE02409

Connect Work Tools - www.connectworktools.com - 920.238.6657

Contact Information - CH130



Connect Work Tools
155 Main Street
Superior, WI 54880

E-mail: info@connectworktools.com
Main Phone: 920-238-6657
Fax: 715-395-3703

Contact your Connect Work Tools Representative or the Connect Work Tools Parts Department for replacement manuals.
Inquiries regarding the content of this manual must include the release date shown below.

Information in this manual is subject to change without advance notice.

Table 1.1 About this manual

Document ID No.	CHE02409
Type	Parts
Release Date	February 2025
Product Name	Hydraulic Breakers
Series	CH
Applicable Models	CHE
Years of Manufacture	2025 & above

Table of Contents - CH130

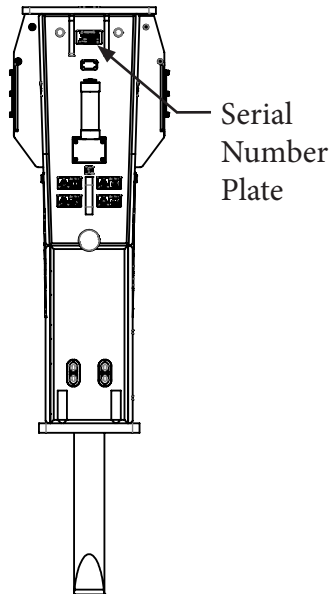
Table of Contents

Contact Information - CH130	3
1.0 Equipment Identification - CH130	
1.1 Location of Serial Number	5
1.2 Owner's Record of Equipment	5
2.0 Decals - CH130	
2.1 Standard Decals	6
2.2 Breaker CH130 Side-Plated Decal Placement	7
3.0 Hammer - CH130	
3-1. Hammer	8
3.2 Accumulator Sub Assembly	10
3.3 Valve Housing Sub Assembly	12
3.3.1 Check Valve Sub Assembly	14
3.3.2 Oper. Valve Sub Assembly	16
3.4 Seal Housing Sub Assembly	18
3.5 Cylinder Sub Assembly	20
3.6 Front Head Sub Assembly	22
3.7 Side Rod Sub Assembly	24
4.0 Housing - CH130	
4.1 Box Housing	26
5.0 Seal Kit - CH130	28
6.0 Rebuild Kits - CH130	30
7.0 Tool Bits - CH130	31
8.0 Tools Nitrogen (N2) Charge Kit - CH130	31
9.0 Hoses - CH130	32
10.0 Mounting Lubricator - Medium Series - CH130	33
11.0 Breaker Mounted Lubricator - CH130	34

1.0 Equipment Identification - CH130

1.1 Location of the Serial Number Decal

Models: CH130



The Serial Equipment Identification Decal is affixed to the side of the housing box. It provides the following information:

- Serial Number:
- Model Number:
- Weight:
- Operating Pressure:
- Oil Flow:
- Carrier Relief Pressure:
- Nitrogen:

****Note: Prior to ordering parts, it's important to confirm your model and serial number**

CONNECT™ WORK TOOLS			
Serial Number:			
Model Number:			
Weight:	kg		lb
Operating Pressure:	bar		psi
Oil Flow:	l/min		gpm
Carrier Relief Pressure:	bar		psi
Nitrogen:	bar		psi

1.2 Owner's Record of the Equipment

Record the Model and Serial Number from the Serial Equipment Identification Tag to the space provided below. Indicate the date in which the Connect Work Tools equipment was placed into service.

Model CH130: CH130

Serial Number: _____

In Service Date: _____

Your Connect Work Tools representative requires this information to better assist you with questions regarding parts, warranty, operation, maintenance, or repair.

Your equipment must be registered by your local Distributor at the time of sale.

Product Registration Date: _____

2.0 Decals - CH130

All decals pictured are included in decal kits (with exception of No. 9)

2.1 Standard Decals



1. Part Number 16-00076 - Decal Warning Dust



2. Part Number 16-00077 - Decal Warning Flying Objects



3. Part Number 16-00078 - Decal Warning Read Manual



4. Part Number 16-00079 - Decal Warning Noise



5. Part Number 16-00080 - Decal Grease Point



6. Part Number 16-00081 - Decal Warning Safe Distance



7. Part Number CHE00159 - Decal CH130



8. Part Number CHE00385 - Decal Connect Logo CH130



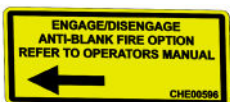
9. Part Number CHE00127 - Decal SN Plate (Not included in Decal Kit)



10. Part Number 16-00082 - Decal Lift Point



11. Part Number CHE00111 - Decal Warning Nitrogen (N²)

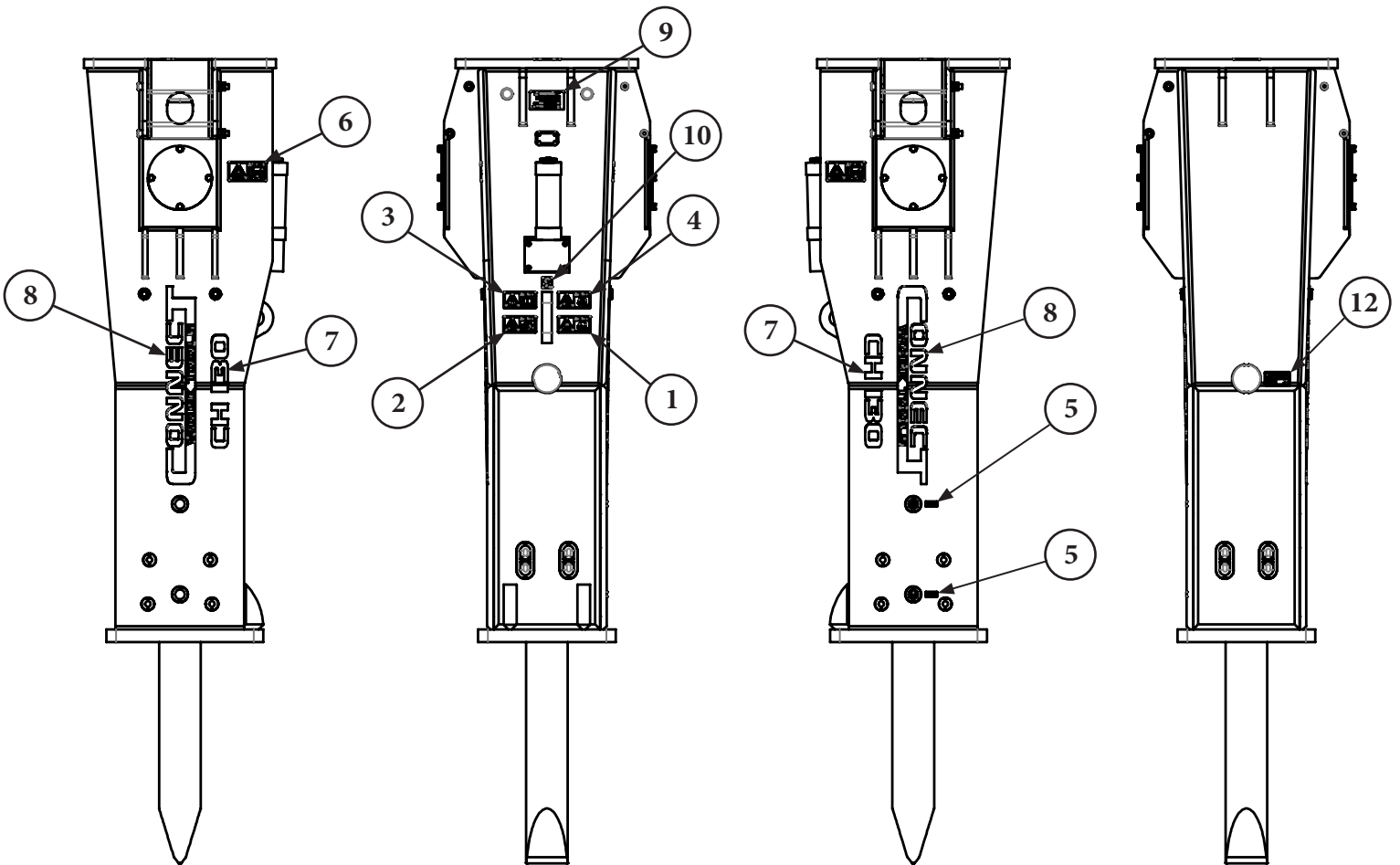
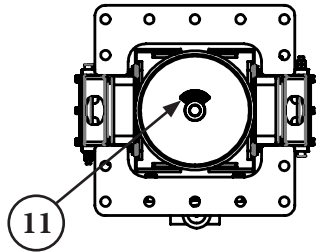


12. Part Number CHE00596 - Decal Warning Anti-Blank Fire

Part Number CHE00130 - Decal Kit for CH130

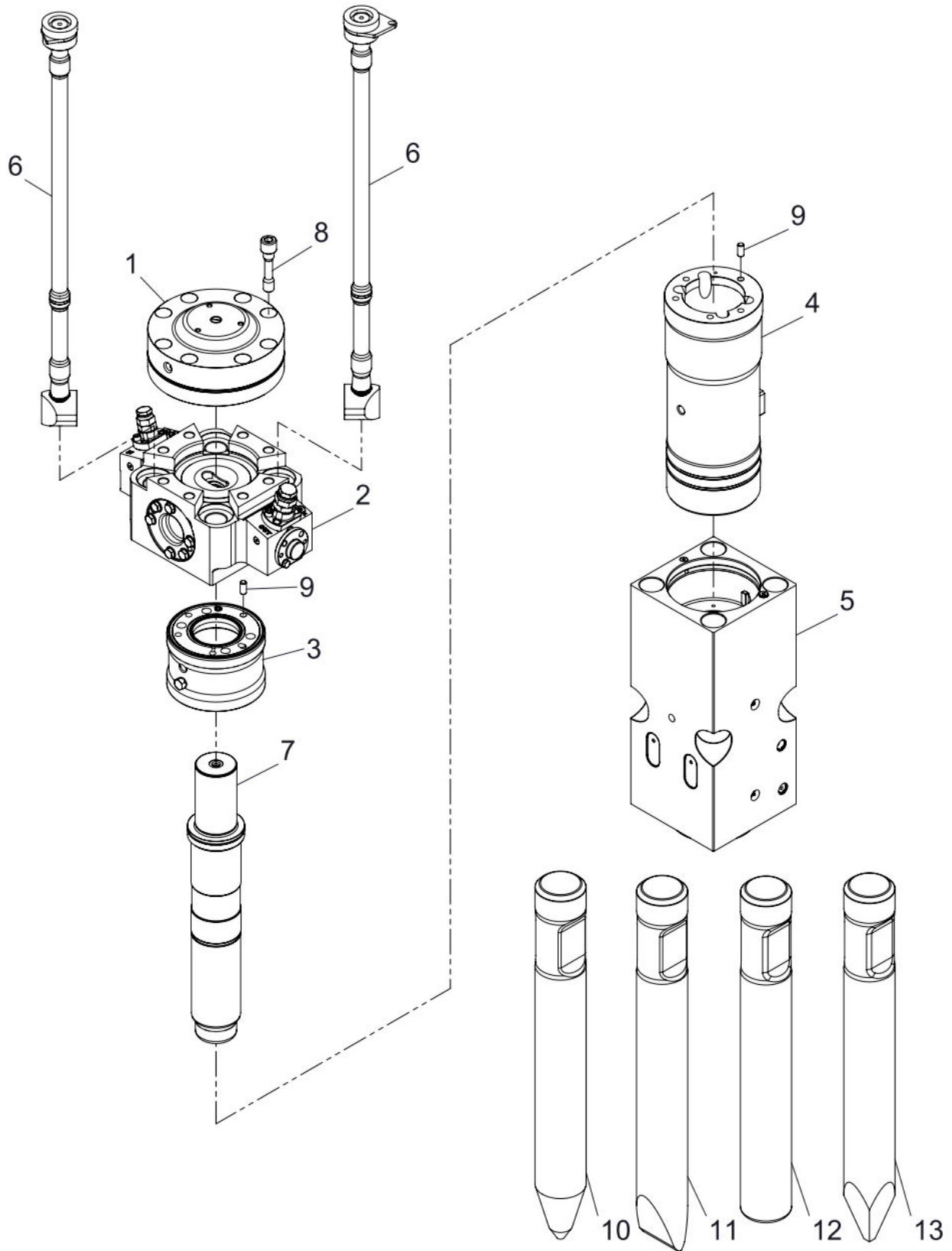
2.0 Decals - CH130

2.2 Breaker CH130 Side-Plated Decal Placement



3.0 Hammer - CH130

3-1. Hammer - (Through: S/N 24J-2410)

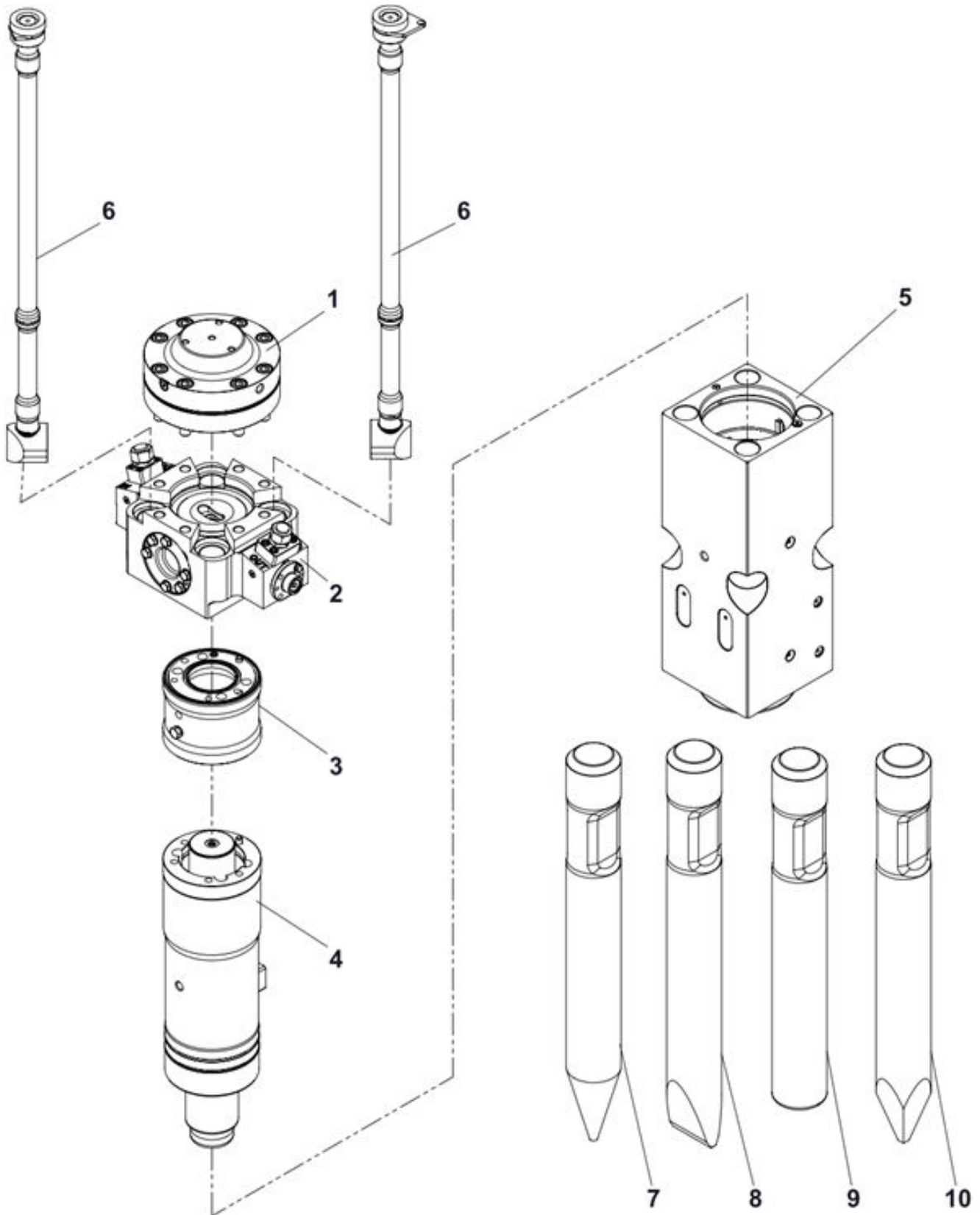


3.0 Hammer - CH130

NO.	PART NO.	PART NAME	QTY	REMARK
	CHB6002	HAMMER TOTAL ASSY	1	
1	CHB2006200	ACCUMULATOR SUB ASSY	1	
2	CHB200621A	VALVE HOUSING SUB ASSY	1	
3	CHB200623A	SEAL HOUSING SUB ASSY	1	
4	CHB200624B	CYLINDER SUB ASSY	1	
5	CHB200625A	FRONT HEAD SUB ASSY	1	
6	CHB2006130K	SIDE ROD SUB ASSY	4	
7	CHB2006050	PISTON	1	
8	CHB2506100	ACCUMULATOR COVER ASSY	8	
9	CHB4006310	GUIDE PIN	2	
10	CHB2006380	TOOL-CONE	1	OPTION
11	CHB2006390	TOOL-CHISEL	1	OPTION
12	CHB2006400	TOOL-BLUNT	1	OPTION
13	CHB2006620	TOOL-MOIL	1	OPTION
	CHB2007800	SEAL KIT		

3.0 Hammer - CH130

3-1. Hammer - (From: S/N 25E-2434)

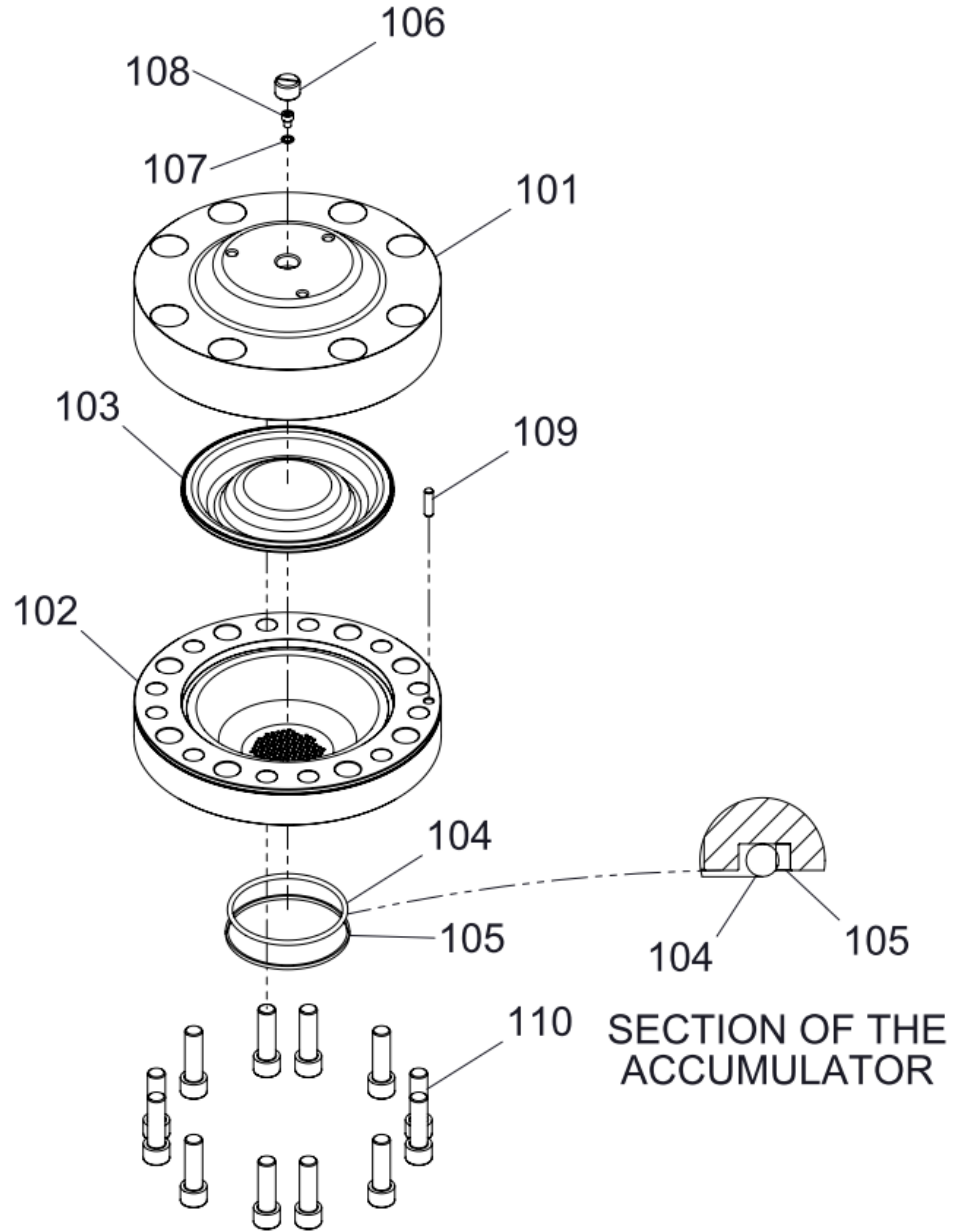


3.0 Hammer - CH130

NO.	PART NO.	PART NAME	QTY	REMARK
	CHB600E	HAMMER TOTAL ASSY	1	
1	CHB2006110	ACCUMULATOR SUB ASSY	1	
2	CHB200621A	VALVE HOUSING SUB ASSY	1	
3	CHB200623A	SEAL HOUSING SUB ASSY	1	
4	CHB200624B	CYLINDER SUB ASSY	1	
5	CHB200625A	FRONT HEAD SUB ASSY	1	
6	CHB2006130K	SIDE ROD SUB ASSY	4	
7	CHB2006380	TOOL-CONE	1	OPTION
8	CHB2006390	TOOL-CHISEL	1	OPTION
9	CHB2006400	TOOL-BLUNT	1	OPTION
10	CHB2006620	TOOL-MOIL	1	OPTION
	CHB2008000	SEAL KIT		

3.0 Hammer - CH130

3-2. Accumulator Sub Assembly - (Through: S/N 24J-2410)

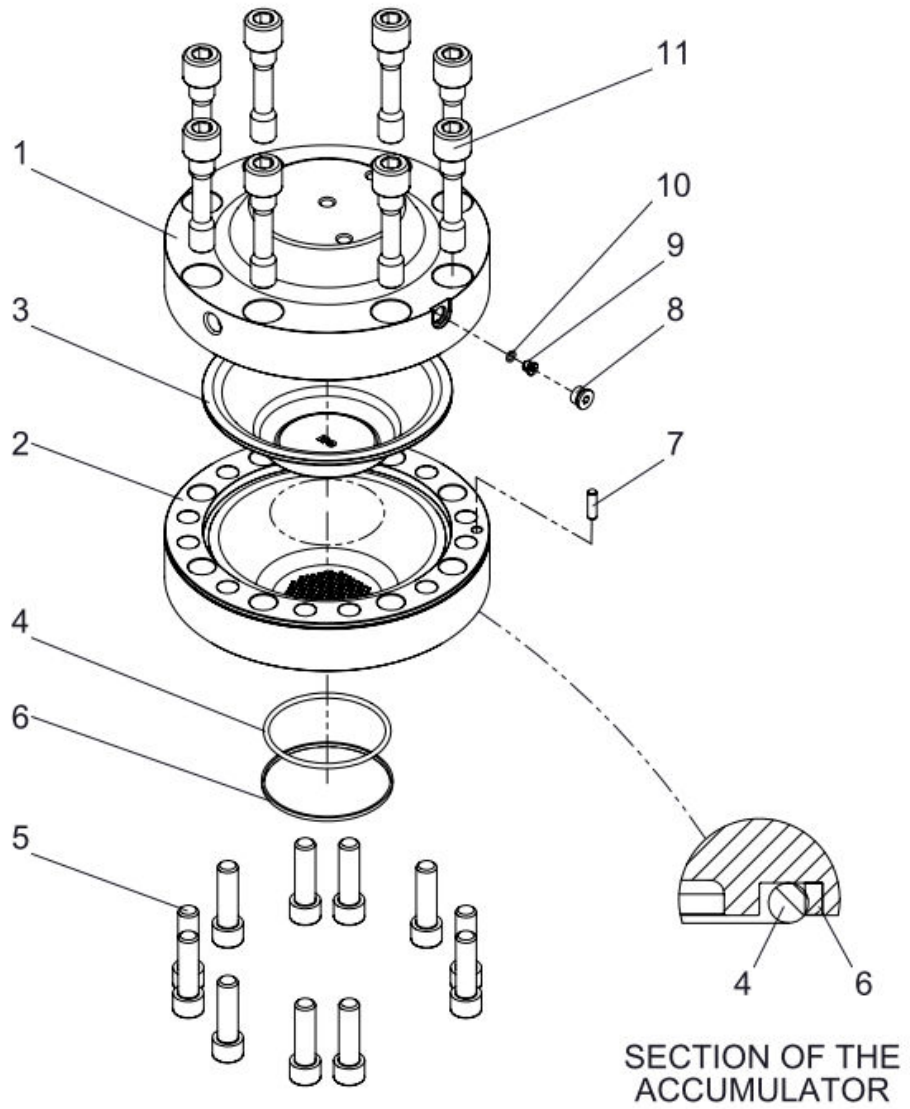


3.0 Hammer - CH130

NO.	PART NO.	PART NAME	QTY	REMARK
	CHB2006200	ACCUMULATOR SUB ASSY	1	
101	CHB2006020	ACCUMULATOR COVER	1	
102	CHB200603A	ACCUMULATOR BOTTOM	1	
103	CHB200704D	MEMBRANE	1	
104	CHB2507270	O-RING	1	<i>PART OF SEAL KIT</i>
105	CHB2507280	BACK UP RING	1	<i>PART OF SEAL KIT</i>
106	CHB4007010	ACC. CAP	1	
107	CHB4007020	USIT RING	1	<i>PART OF SEAL KIT</i>
108	CHB4006420	ACC. GAS BOLT	1	
109	CHB4006370	GUIDE PIN	1	
110	CHSB2215065	SOCKET BOLT	12	

3.0 Hammer - CH130

3-2. Accumulator Sub Assembly - (From: S/N 25E-2434)



3.0 Hammer - CH130

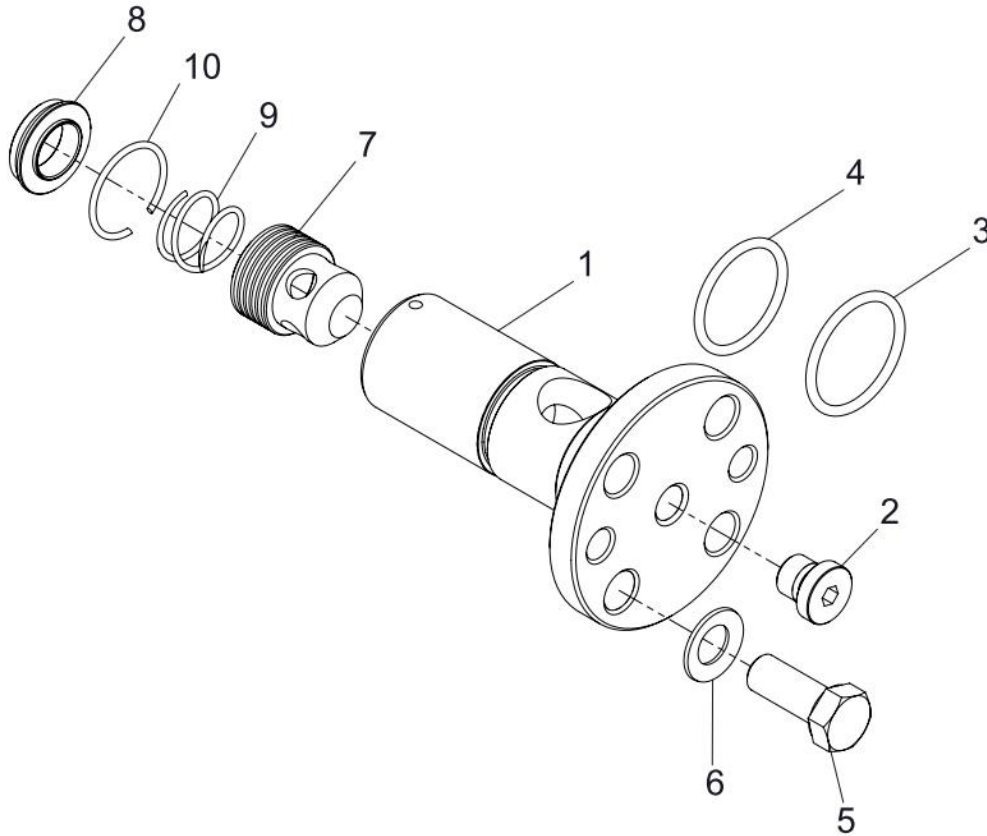
NO.	PART NO.	PART NAME	QTY	REMARK
	CHB2006110	ACCUMULATOR SUB ASSY	1	
1	CHB2006120	ACCUMULATOR COVER	1	
2	CHB200603A	ACCUMULATOR BOTTOM	1	
3	CHB200704U	MEMBRANE	1	
4	CHB2507270	O-RING	1	<i>PART OF SEAL KIT</i>
5	CHSB2215065	SOCKET BOLT	1	
6	CHB2507280	BACK UP RING	1	<i>PART OF SEAL KIT</i>
7	CHB4006370	GUIDE PIN	1	
8	CHAS066260	HOLLOW HEX PLUG	1	
9	CHB1606520	PLUG BLEED	1	
10	CHB2507240	O-RING	12	<i>PART OF SEAL KIT</i>
11	CHB2506100	ACCUMULATOR COVER BOLT	13	

3.0 Hammer - CH130

NO.	PART NO.	PART NAME	QTY	REMARK
	CHB200621A	VALVE HOUSING SUB ASSY	1	<i>Through: S/N 24J-2410</i>
	CHB200621B	VALVE HOUSING SUB ASSY	2	<i>From: S/N 25E-2434</i>
1	CHB2006760	VALVE BLOCK	1	
2	CHB2506520	SOCKET PLUG	1	
3	CHB4006910	SOCKET PLUG	4	
4	CHB4006450	SOCKET PLUG	3	
5	CHB2506150	SLEEVE COVER 1	1	
6	CHB2506240	SLEEVE COVER 2	1	
7	CHB2507120	O-RING	2	<i>PART OF SEAL KIT</i>
8	CHHB1620035	HEX BOLT	12	
9	CHCW160000	CONICAL WASHER	12	
10	CHB2506250	SPOOL 1	1	
11	CHB2506160	SPOOL 2	1	
12	CHB2506170	MAIN SPOOL	1	
13	CHB2506180	SLEEVE	1	
14	CHB2507070	O-RING	6	<i>PART OF SEAL KIT</i>
15	CHB160607A	CHECK VALVE SUB ASSY		
16	CHB180655A	OPER VALVE SUB ASSY	1	<i>Through: S/N 24J-2410</i>
16	CHB2508300	OPER VALVE SUB ASSY	2	<i>From: S/N 25E-2434</i>
17	CHB4006200	FLANGE	1	<i>OPTION</i>
18	CHSB1217040	SOCKET BOLT	1	<i>OPTION</i>
19	CHAPT16MJS16M	ADAPTER	4	<i>PF1" - OPTION</i>
20	CHB4007050	O-RING	1	<i>OPTION</i>
21	CHB4006190	FLANGE	1	<i>OPTION</i>
22	CHSB1420040	SOCKET BOLT	4	<i>OPTION</i>
23	CHAPT20MJS20M	ADAPTER	1	<i>PF1-1/4" - OPTION</i>
24	CHB4007060	O-RING	1	<i>OPTION</i>
25	CHCJS16F	UNION CAP	1	<i>PF1"-OPTION</i>
26	CHCJS20F	UNION CAP	1	<i>PF1-1/4" - OPTION</i>

3.0 Hammer - CH130

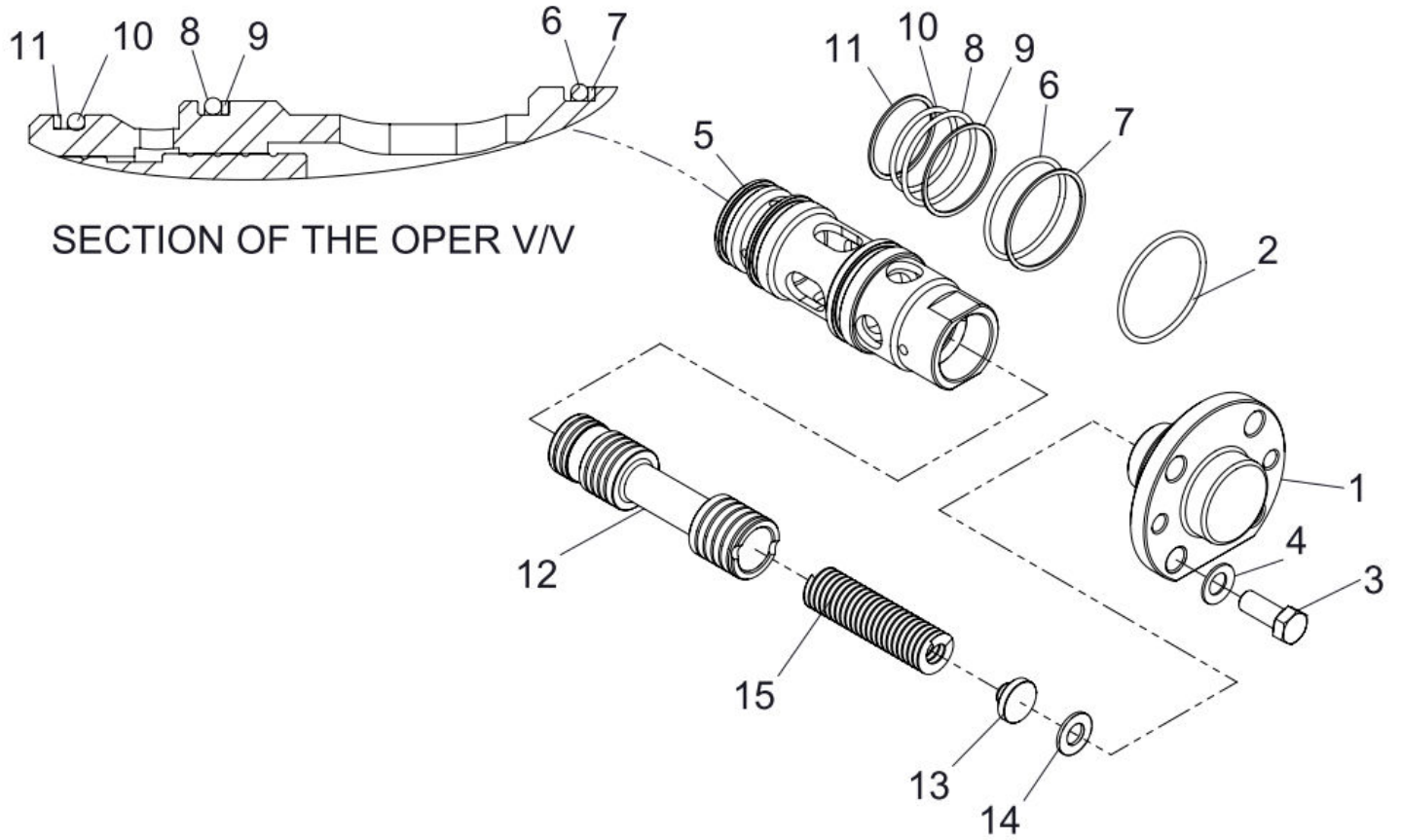
3-3-1. Check Valve Sub Assembly



NO.	PART NO.	PART NAME	QTY	REMARK
215	CHB160607A	CHECK VALVE SUB ASSY	1	
1	CHB2506210	CHECK VALVE HOUSING	1	
2	CHB4006450	SOCKET PLUG	1	
3	CHB2507290	O-RING	1	PART OF SEAL KIT
4	CHB2507300	O-RING	1	PART OF SEAL KIT
5	CHHB1217030	HEX BOLT	4	
6	CHCW120000	CONICAL WASHER	4	
7	CHB2506220	CHECK VALVE SPOOL	1	
8	CHB2506230	CHECK V/V SPRING GUIDE	1	
9	CHB2506480	CHECK VALVE SPRING GUIDE	1	
10	CHB2506490	LOCK RING	1	

3.0 Hammer - CH130

3-3-2. Oper. Valve Sub Assembly - (Through: S/N 24J-2410)

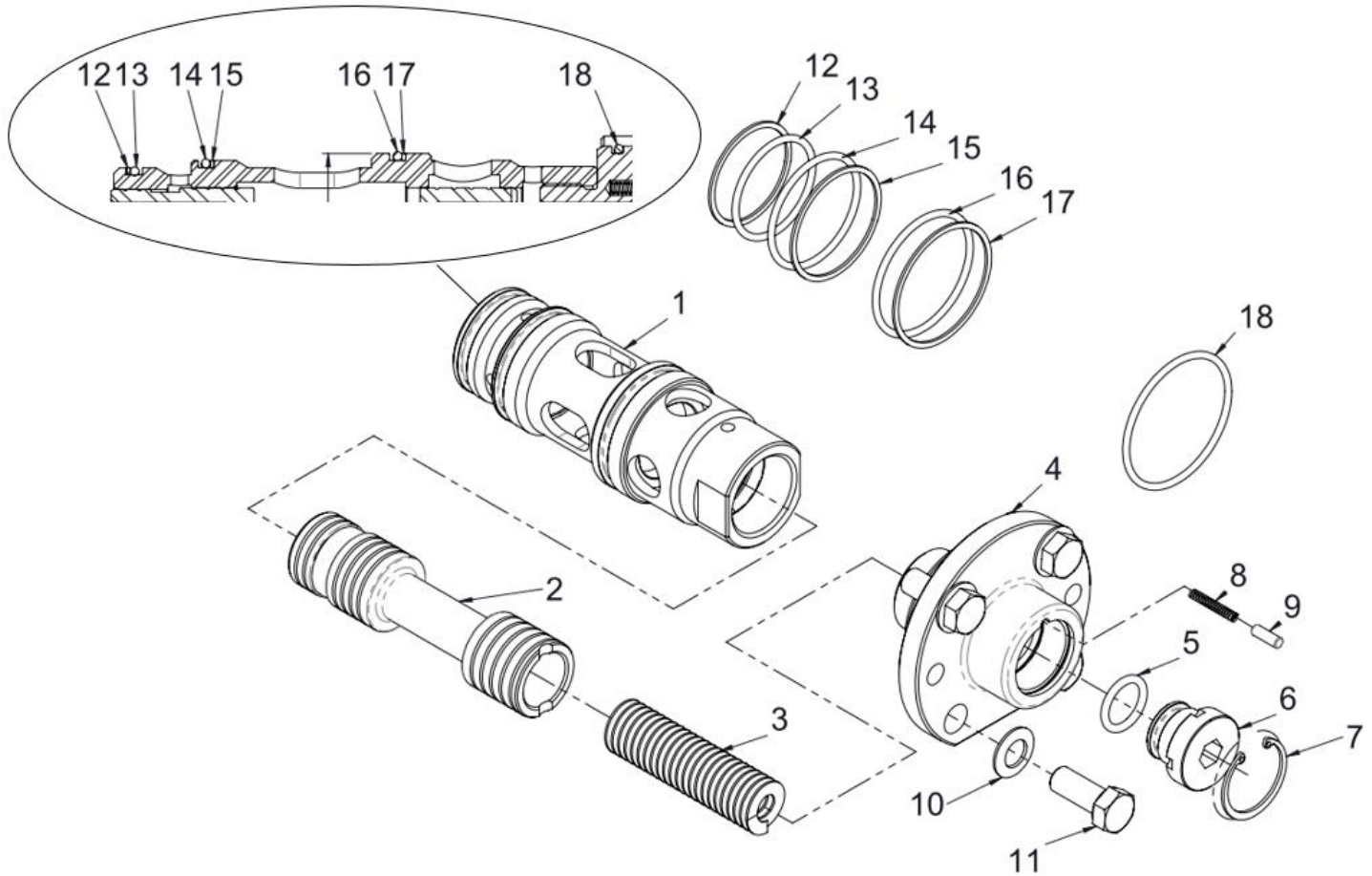


3.0 Hammer - CH130

NO.	PART NO.	PART NAME	QTY	REMARK
	CHB180655A	OPER VALVE SUB ASSY	1	
1	CHB2506300	OPER. VALVE COVER	1	
2	CHB4007200	O-RING	1	PART OF SEAL KIT
3	CHHB1217030	HEX. BOLT	4	
4	CHCW120000	CONICAL WASHER	4	
5	CHB2506260	OPER. VALVE GUIDE	1	
6	CHB4007190	O-RING	1	PART OF SEAL KIT
7	CHB6007350	BACK UP RING	1	PART OF SEAL KIT
8	CHB2507200	O-RING	1	PART OF SEAL KIT
9	CHB2507360	BACK UP RING	1	PART OF SEAL KIT
10	CHB2507190	O-RING	1	PART OF SEAL KIT
11	CHB2507350	BACK UP RING	1	PART OF SEAL KIT
12	CHB2506270	OPER. VALVE SPOOL	1	
13	CHB2506280	OPER.V/V SPRING GUIDE	1	
14	CHB2506440	SHIM PLATE	1	
15	CHB2506870	OPER. VALVE SPRING	1	

3.0 Hammer - CH130

3-3-2. Oper. Valve Sub Assembly - (From: S/N 25E-2434)



3.0 Hammer - CH130

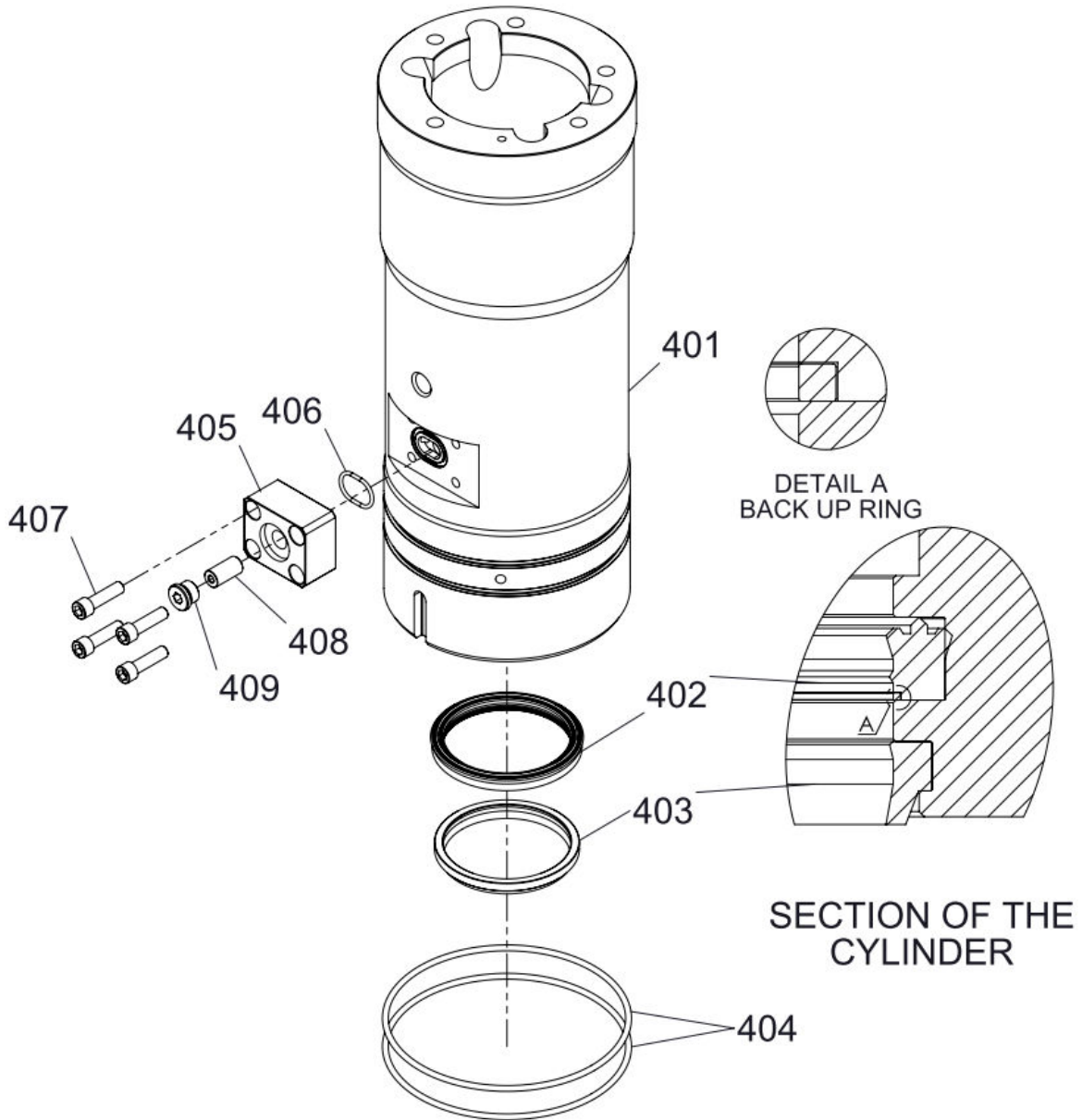
NO.	PART NO.	PART NAME	QTY	REMARK
	CHB2508300	OPER VALVE SUB ASSY	1	
1	CHB2506260	OPER. VALVE GUIDE	1	
2	CHB2506270	OPER. VALVE SPOOL	1	
3	CHB2506870	OPER. VALVE SPRING	1	
4	CHB2508310	OPER. VALVE COVER	1	
5	CHB2508360	O-RING	1	PART OF SEAL KIT
6	CHB2508320	SCREW ADJUSTER	1	
7	CHB2508330	SNAP RING	1	
8	CHN4007860	SPRING	1	
9	CHB2508340	DOWEL	1	
10	CHCW120000	CONICAL WASHER	4	
11	CHHB1217030	HEX BOLT	4	
12	CHB2507350	BACK-UP RING	1	PART OF SEAL KIT
13	CHB2507190	O-RING	1	PART OF SEAL KIT
14	CHB2507200	O-RING	1	PART OF SEAL KIT
15	CHB2507360	BACK-UP RING	1	PART OF SEAL KIT
16	CHB4007190	O-RING	1	PART OF SEAL KIT
17	CHB6007350	BACK-UP RING	1	PART OF SEAL KIT
18	CHB4007200	O-RING	1	PART OF SEAL KIT

3.0 Hammer - CH130

NO.	PART NO.	PART NAME	QTY	REMARK
	CHB200623A	SEAL HOUSING SUB ASSY	1	
301	CHB2006710	SEAL HOUSING	1	
302	CHB2007140	WIPER	1	PART OF SEAL KIT
303	CHB2007150	SEAL	2	PART OF SEAL KIT
304	CHB2006870	AIR VENT PLUG	2	
305	CHB0407150	O-RING	2	PART OF SEAL KIT
306	CHB2507080	O-RING	1	PART OF SEAL KIT
307	CHB2507090	BACK UP RING	1	PART OF SEAL KIT
308	CHB2507100	O-RING	2	PART OF SEAL KIT
309	CHB2507110	BACK UP RING	2	PART OF SEAL KIT
310	CHB4007310	O-RING	2	PART OF SEAL KIT

3.0 Hammer - CH130

3-5. Cylinder Sub Assembly

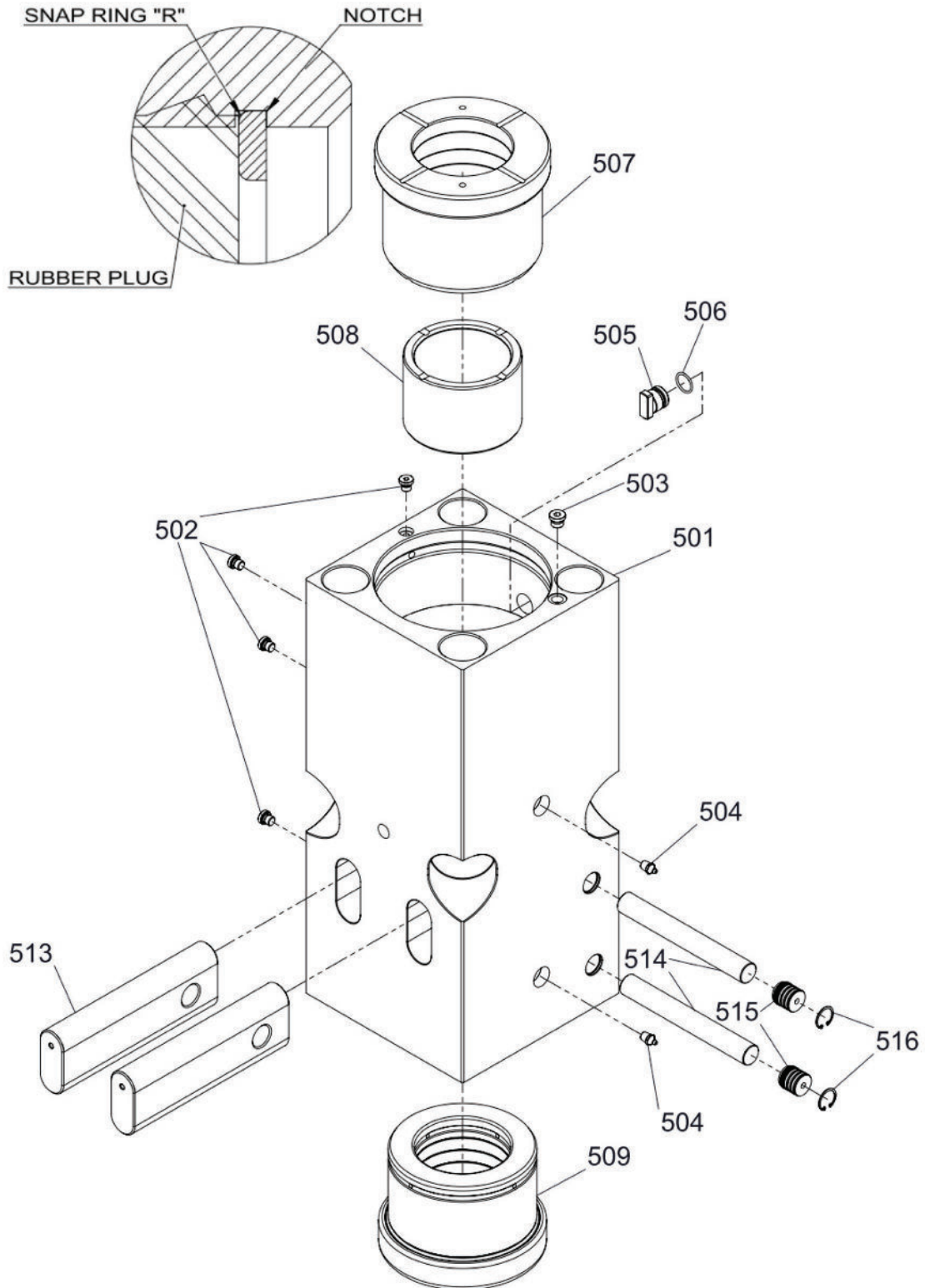


3.0 Hammer - CH130

NO.	PART NO.	PART NAME	QTY	REMARK
	CHB200624B	CYLINDER SUB ASSY	1	
401	CHB2006750	CYLINDER	1	
402	CHB2007160	SEAL	1	PART OF SEAL KIT
403	CHB2007170	WIPER	1	PART OF SEAL KIT
404	CHB2507130	O-RING	2	PART OF SEAL KIT
405	CHB2806360	STOP VALVE	1	
406	CHA3206550	O-RING	1	PART OF SEAL KIT
407	CHSB1217045	SOCKET BOLT	4	
408	CHB1406790	ASO PIN	1	
409	CHA1206780	METRIC HOLLOW HEX PLUG	1	

3.0 Hammer - CH130

3-6. Front Head Sub Assembly

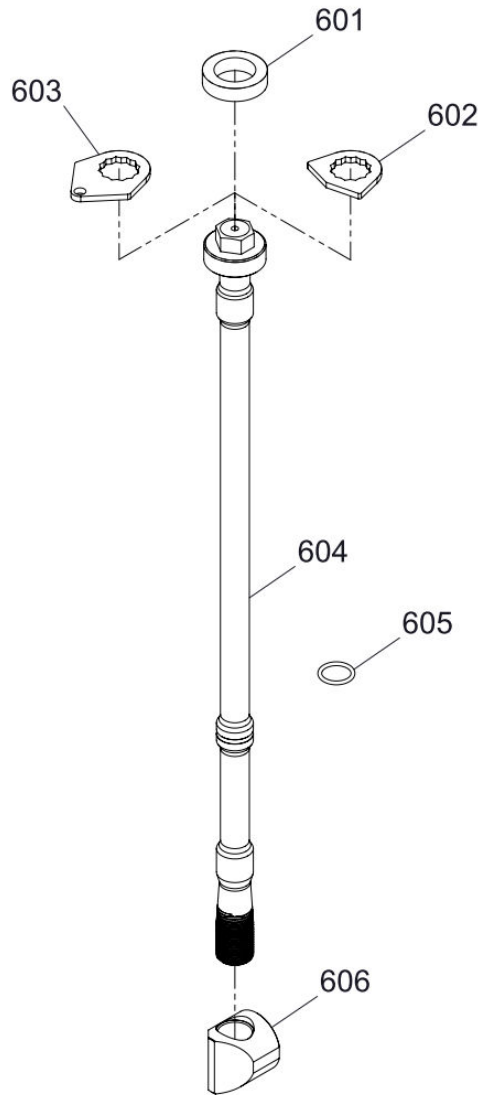


3.0 Hammer - CH130

NO.	PART NO.	PART NAME	QTY	REMARK
5	CHB200625A	FRONT HEAD SUB ASSY	1	
501	CHB2006810	FRONT HEAD	1	
502	CHB4006450	SOCKET PLUG	4	
503	CHB4006910	SOCKET PLUG	1	
504	CHB4006560	GREASE NIPPLE	2	
505	CHB4006330	WEDGE	1	
506	CHB4007260	O-RING	1	PART OF SEAL KIT
507	CHB2006730	THRUST RING	1	
508	CHB2006080	UPPER BUSHING	1	
509	CHB2006840	TOOL BUSHING	1	
513	CHB2006340	TOOL PIN	2	
514	CHA5006050	BUSHING PIN	2	
515	CHB3006580	RUBBER PLUG	2	
516	CHB3006570	SNAP RING	2	

3.0 Hammer - CH130

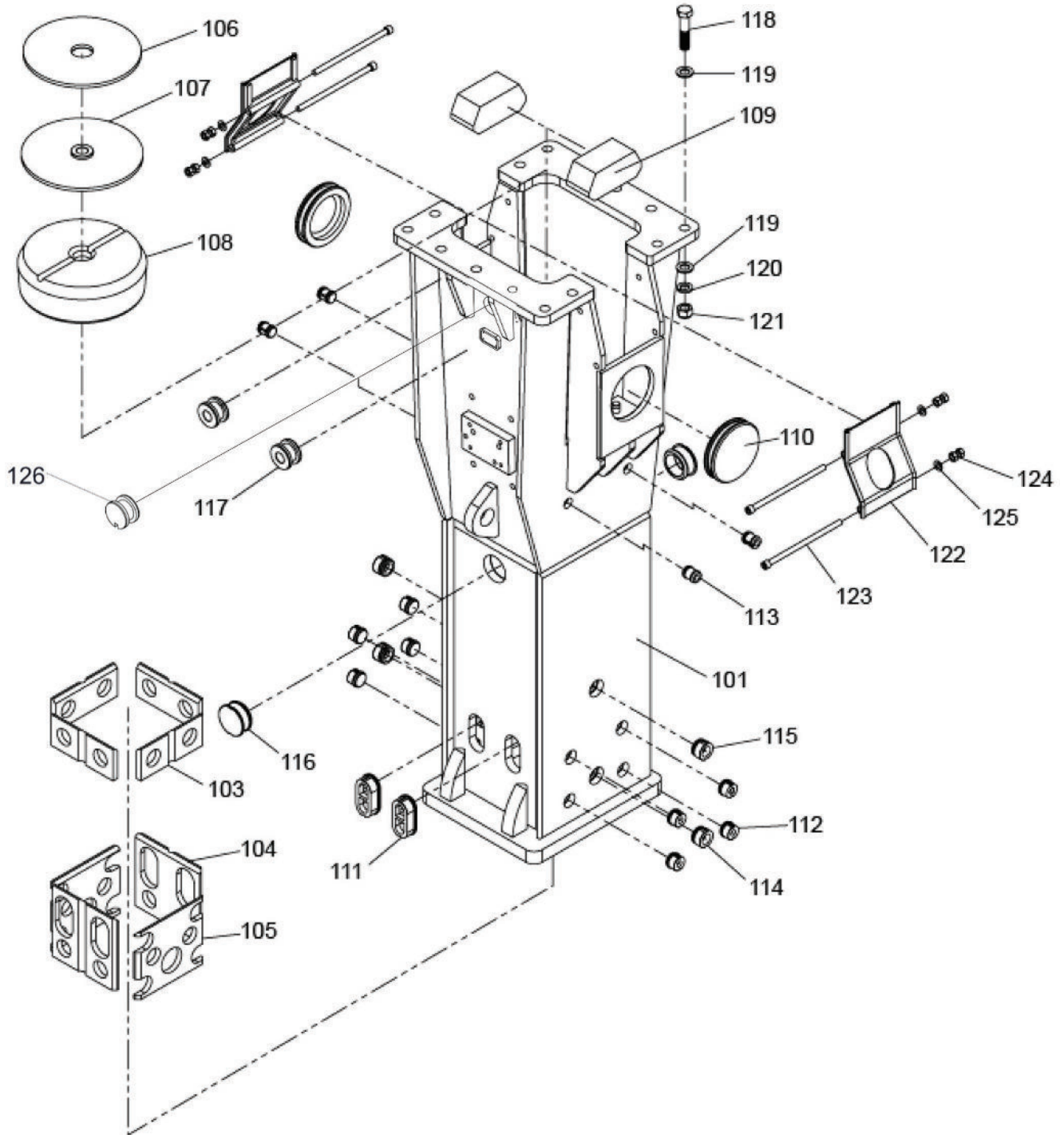
3-7. Side Rod Sub Assembly



NO.	PART NO.	PART NAME	QTY	REMARK
	CHB2006130K	SIDE ROD SUB ASSY	4	
601	CHB3007030	RUBBER RING	1	
602	CHB3006110	LOCK WASHER	1	3 OF 4
603	CHB3006120	LOCK WASHER	1	1 OF 4
604	CHB2006130	SIDE ROD	1	
605	CHB2007250	O-RING	1	PART OF SEAL KIT
606	CHB2006140	SIDE ROD NUT	1	

4.0 Housing - CH130

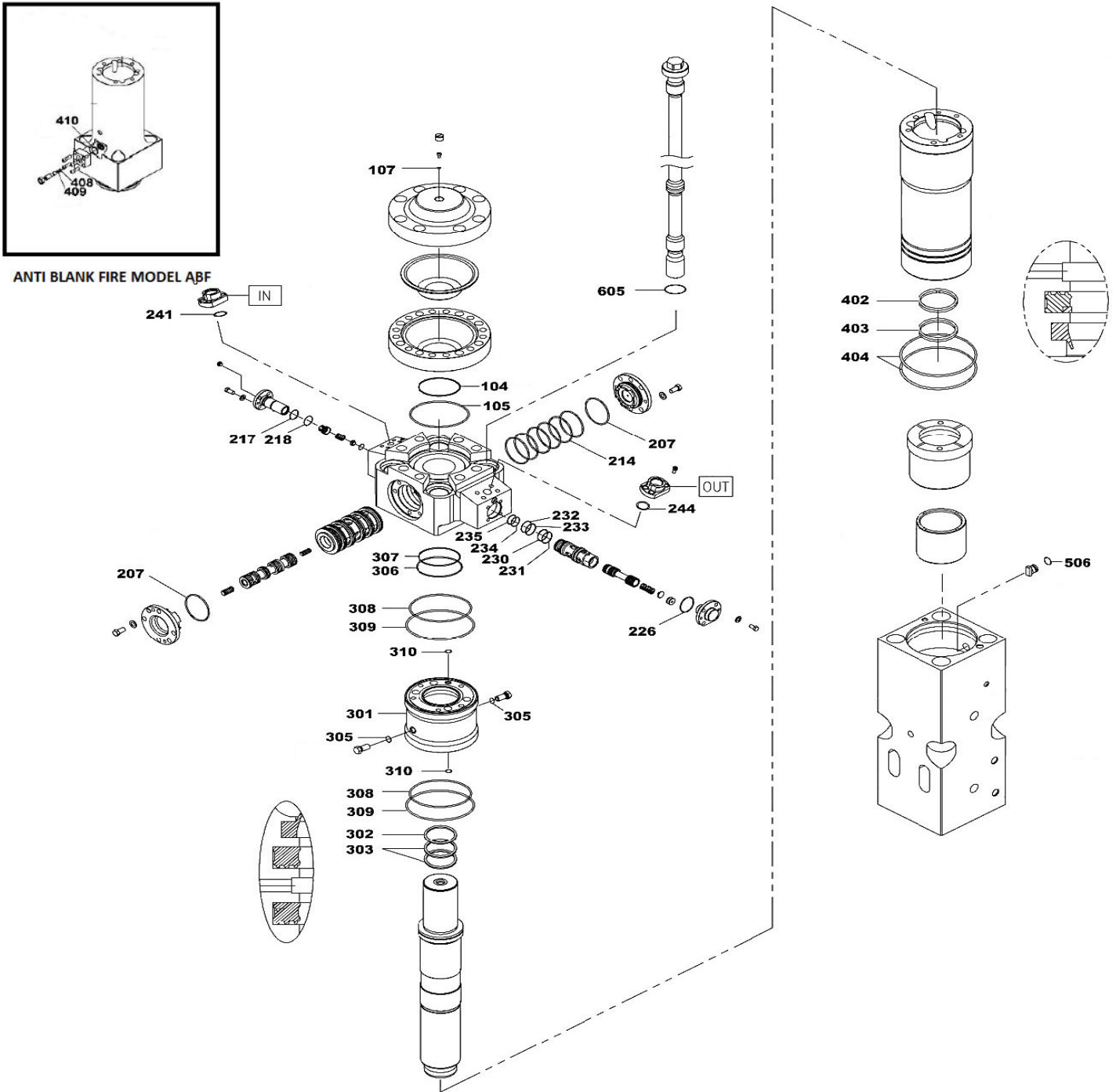
4-1. Box Housing



4.0 Housing - CH130

NO.	PART NO.	PART NAME	QTY	REMARK
	CHB2004800	HOUSING TOTAL ASSY	1	
101	CHB2004810	HOUSING WELD ASSY	1	
103	CHB200A020	WEARING PLATE	4	
104	CHB200A030	WEARING PLATE	2	
105	CHB200A040	WEARING PLATE	2	
106	CHB2500060	TOP WEARING PLATE	1	
107	CHB2500070	TOP PLATE ASSY	1	
108	CHB2000080	TOP BUFFER	1	
109	CHB2500090	SIDE BUFFER	2	
110	CHB2500100	RUBBER	2	
111	CHB2000110	RUBBER PLUG	4	
112	CHB1800130	RUBBER PLUG	8	
113	CHB3000140	RUBBER PLUG	4	
114	CHB3200040	RUBBER GREASE	2	
115	CHB3200050	RUBBER PLUG	2	
116	CHB1601460	RUBBER PLUG	2	
117	CHB400W27A	RUBBER PLUG	2	
118	CHHB2430110	HEX BOLT	14	
119	CHPW240000	PLAIN WASHER	28	
120	CHSW240000	SPRING WASHER	14	
121	CHNN243000	NYLON NUT	14	
122	CHB2500150	PORT COVER	2	
123	CHSB1420270	SOCKET	4	
124	CHHN142000	HEX NUT	8	
125	CHPW140000	PLAIN WASHER	4	
126	CHB400W270	RUBBER PLUG	2	

5.0 Seal Kits - CH130

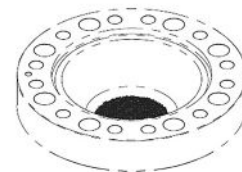
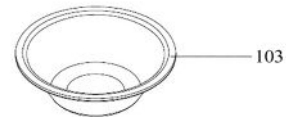
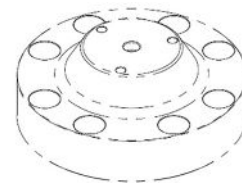
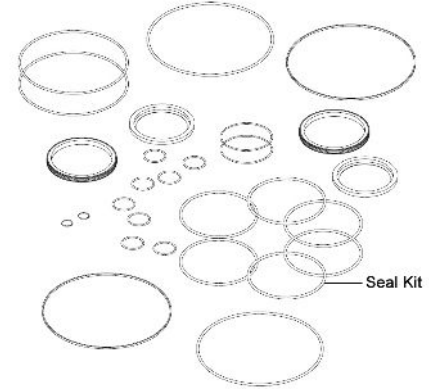
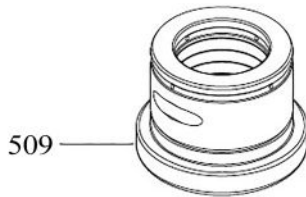
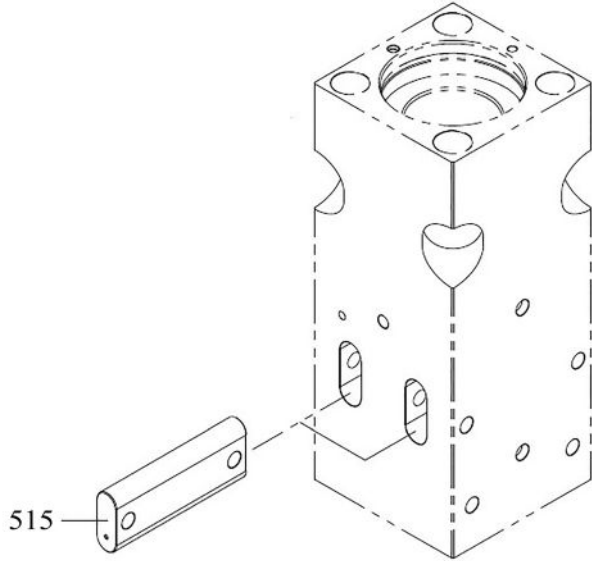


5.0 Seal Kit - CH130

ITEM	ILLUSTRATION	QTY	DESCRIPTION	PART NUMBER	ASSEMBLY AREA
1		1	SEAL KIT	CHB2007800HX	
2	241	1	O - RING	CHB4007050	FLANGE (IN)
3	244	1	O - RING	CHB4007060	FLANGE (OUT)
4	214	6	O - RING	CHB2507070	SLEEVE
5	306	1	O - RING	CHB2507080	SEAL HOUSING
6	307	1	BACK UP RING	CHB2507090	SEAL HOUSING
7	308	2	O - RING	CHB2507100	SEAL HOUSING
8	309	2	BACK UP RING	CHB2507110	SEAL HOUSING
9	207	2	O - RING	CHB2507120	SLEEVE COVER 1,2
10	404	2	O - RING	CHB2007130	CYLINDER
11	302	1	WIPER	CHB2007140	SEAL HOUSING
12	303	2	SEAL	CHB2007150	SEAL HOUSING
13	402	1	SEAL	CHB2007160	CYLINDER
14	403	1	WIPER	CHB2007170	CYLINDER
15	234	1	O - RING	CHB2507190	V/V GUIDE
16	232	1	O - RING	CHB2507200	V/V GUIDE
17	230	1	O - RING	CHB4007190	V/V GUIDE
18	226	1	O - RING	CHB4007200	V/V COVER
19	605	4	O - RING	CHB2007250	SIDE ROD
20	506	1	O - RING	CHB4007260	WEDGE
21	107	1	USIT RING	CHB4007020	ACC. COVER
22	104	1	O - RING	CHB2507270	ACC. BOTTOM
23	105	1	BACK UP RING	CHB2507280	ACC. BOTTOM
24	217	1	O - RING	CHB2507290	CHECK V/V HOUSING
25	218	1	O - RING	CHB2507300	CHECK V/V HOUSING
26	310	2	O - RING	CHB4007310	SEAL HOUSING
27	235	1	BACK UP RING	CHB2507350	V/V GUIDE
28	233	1	BACK UP RING	CHB2507360	V/V GUIDE
29	231	1	BACK UP RING	CHB6007350	V/V GUIDE
30	305	2	O - RING	CHB0407150	AIR VENT PLUG
31	408	1	O - RING	CHA3206550	CYLINDER / STOP VALVE
32	409	1	O - RING	CHB1807310	CYLINDER / ADJUST BOLT
33	410	1	BACK UP RING	CHA3007160	CYLINDER / ADJUST BOLT
34	514	1	WIPER	CHB2007320	TOOL BUSHING (OPTION)

6.0 Rebuild Kits - CH130

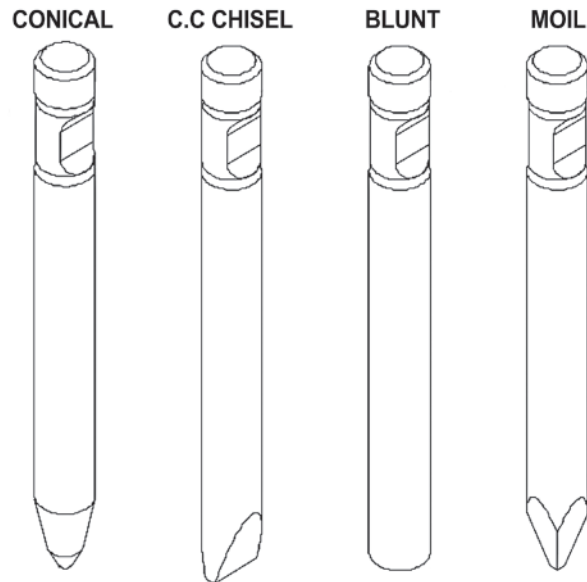
6.1 Rebuild Kits



REBUILD KIT - CH130			
ITEM	QTY	DESCRIPTION	PART NUMBER
	1	KIT	CHTKB600EXO
515	2	TOOL PIN	CHB2006340
509	1	TOOL BUSHING	CHB2006840
103	1	MEMBRANE	CHB200704A
	1	SEAL KIT	CHB2007800HX

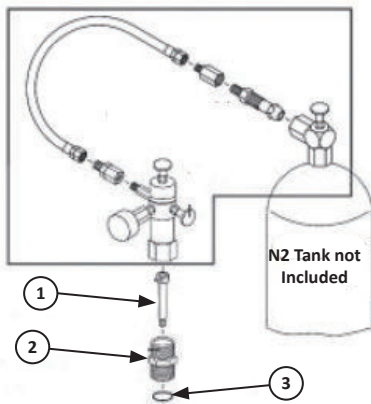
7.0 Tool Bits - CH130

7.1 Tool Bits



TOOL BITS - CH130	
TOOL TYPE	PART NUMBER
CONICAL	CHB2006380
CHISEL	CHB2006390
BLUNT	CHB2006400
MOIL	CHB2006620

8.0 Tools Nitrogen (N²) Charge Kit



NITROGEN CHARGE KIT
Part Number: CHT0006

TOOLING NITROGEN (N ₂) CHARGE KIT			
ITEM	PART NUMBER	DESCRIPTION	QTY
	CHTBMS0001	N2 CHARGE KIT	1
1	CHBM1C60052	CHARGE TOOL SOCKET HEAD BOLT	1
2	CH1G020026	CHARGE TOOL ADAPTER	1
3	CGA2507380	O-RING	1

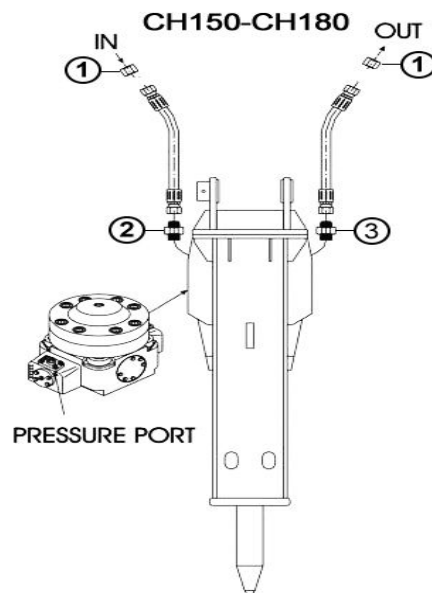
9.0 Hoses - CH130

MODEL	HOSE CHART - CH130				
	PART NUMBER	LENGTH	DIA. / PSI	FITTING 1	FITTING 2
CH130	40-02171	96"	1.00"/3000	16FJSW	16FJSW

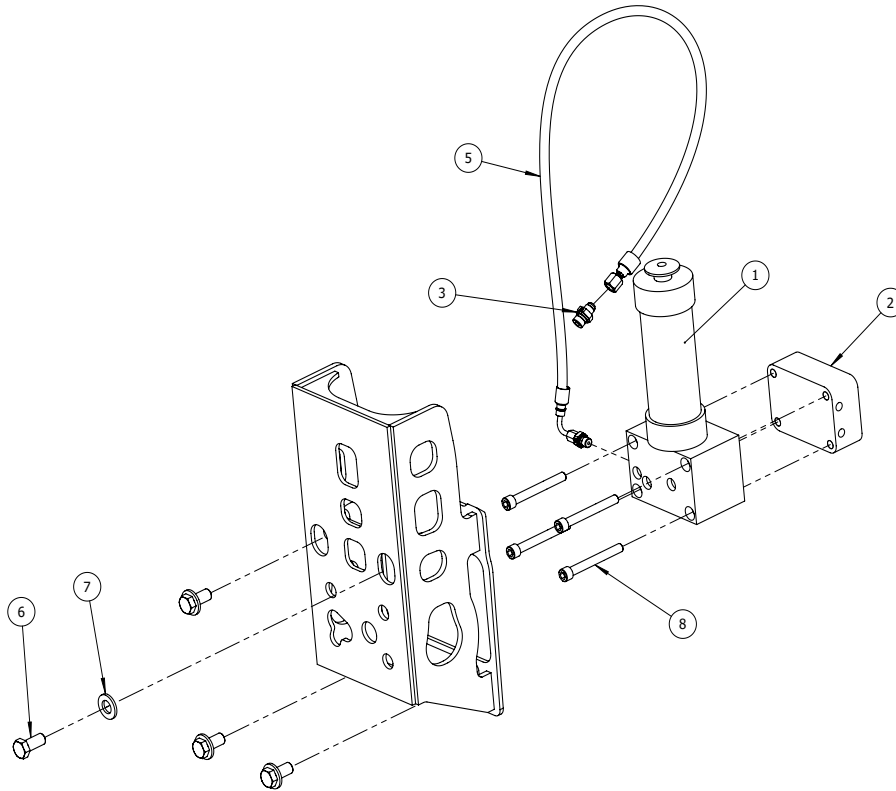
MODEL	HOSE PLUGS - CH130		
	PART NUMBER	ITEM	DESCRIPTION
CH130	CHE00199	1	Plug 16 JIC 37 Degree

MODEL	HOSE ADAPTORS - INLET BREAKER PORT				
	ADAPTOR PN #	ITEM	FLANGE	INLET ADAPTOR	HOSE / CARRIER
CH130	CHE00202	2	CHB1506670	-16 SAE ORB	-16 JIC

MODEL	HOSE ADAPTORS - OUTLET BREAKER PORT				
	ADAPTOR PN #	ITEM	FLANGE	INLET ADAPTOR	HOSE / CARRIER
CH130	CHE00202	3	CHB1506660	-16 SAE ORB	-16 JIC



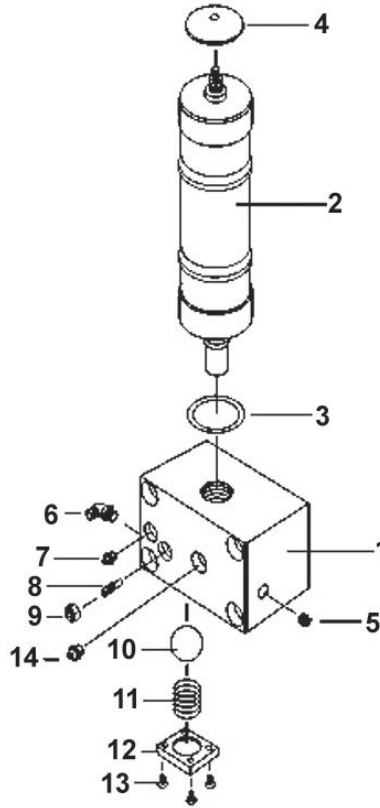
10.0 Mounted Lubricator - Medium Series - CH130



MOUNTED LUBRICATOR - CH130

ITEM	QTY	DESCRIPTION	PN#
1	1	AUTO GREASE PUMP(U)/500ML	CHAGRU0500
2	1	GREASE PUMP PLATE BML WELD-ON	CHB2003550
3	2	ADAPTER	CHBHSSG102
4	1	WLDT BML LUBE GUARD	CHE01091
5	1	PLUMBING KIT BML CH110-CH175	CHE01743
6	4	HEX BOLT	CHHB1620035
7	4	WASHER M16 - 25.4 X 3.4 P_	CHPW160000
8	4	SH CS M12 - 1.75 X 100 B_12.9	CHSB1217100

11.0 Breaker Mounted Lubricator



BREAKER MOUNTED LUBRICATOR

ITEM	PN#	DESCRIPTION
	CHAGRU0500	PUMP
1	CHHLU-0300	11U-BODY
2	CHHL0101	RECHARGEABLE CARTRIDGE
3	CHHL0041	O-RING
4	CHHL0810	HANDLE
5	CHHL0920	PLUG
6	CHHL0360	ZERK
7	CHHNG18	ZERK -GREASE
8	CHHL0240	ADJUSTER
9	CHHNM1201	NUT
10	CHHL0350	BALL
11	CHHL0220	SPRING
12	CHHL0330	COVER
13	CHJBM0615	BOLT
14	CHHNG18	ZERK-GREASE

CONNECTTM
WORK TOOLS

920.238.6657

www.connectworktools.com

