
CONNECTTM
WORK TOOLS



Medium Series Breaker

Model: CH120

Parts Manual CH-Series



Part #CHE02408

Connect Work Tools - www.connectworktools.com - 920.238.6657

Contact Information - CH120



Connect Work Tools
155 Main Street
Superior, WI 54880

E-mail: info@connectworktools.com
Main Phone: 920-238-6657
Fax: 715-395-3703

Contact your Connect Work Tools Representative or the Connect Work Tools Parts Department for replacement manuals.
Inquiries regarding the content of this manual must include the release date shown below.

Information in this manual is subject to change without advance notice.

Table 1.1 About this manual

Document ID No.	CHE02408
Type	Parts
Release Date	February 2025
Product Name	Hydraulic Breakers
Series	CH
Applicable Models	CHE
Years of Manufacture	2025 & above

Table of Contents - CH120

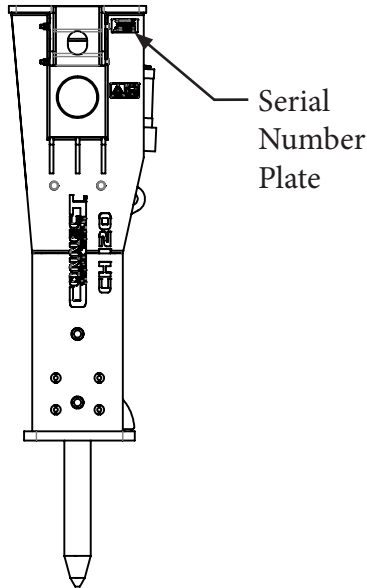
Table of Contents

Contact Information - CH120	3
1.0 Equipment Identification - CH120	
1.1 Location of Serial Number	5
1.2 Owner's Record of Equipment	5
2.0 Decals - CH120	
2.1 Standard Decals	6
2.2 Breaker CH120 Side-Plated Decal Placement	7
3.0 Hammer - CH120	
3.1 Hammer	8
3.2 Accumulator Sub Assembly	10
3.3 Valve Housing Sub Assembly	12
3.3.1 Check Valve Sub Assembly	14
3.3.2 Oper. Valve Sub Assembly	16
3.4 Seal Housing Sub Assembly	18
3.5 Cylinder Sub Assembly	20
3.6 Front Head Sub Assembly	22
3.7 Side Rod Sub Assembly	24
4.0 Housing - CH120	
4.1 Box Housing	26
5.0 Seal Kit - CH120	28
6.0 Rebuild Kits - CH120	30
7.0 Tool Bits - CH120	31
8.0 Tools Nitrogen (N2) Charge Kit - CH120	31
9.0 Hoses - CH120	32
10.0 Mounting Lubricator - Medium Series - CH120	33
11.0 Breaker Mounted Lubricator - CH120	34

1.0 Equipment Identification - CH120

1.1 Location of the Serial Number Decal

Models: CH120



The Serial Equipment Identification Decal is affixed to the side of the housing box. It provides the following information:

- Serial Number:
- Model Number:
- Weight:
- Operating Pressure:
- Oil Flow:
- Carrier Relief Pressure:
- Nitrogen:

****Note: Prior to ordering parts, it's important to confirm your model and serial number**

CONNECT™ WORK TOOLS			
Serial Number:	<input type="text"/>		
Model Number:	<input type="text"/>		
Weight:	<input type="text"/>	kg	<input type="text"/>
Operating Pressure:	<input type="text"/>	bar	<input type="text"/>
Oil Flow:	<input type="text"/>	l/min	<input type="text"/>
Carrier Relief Pressure:	<input type="text"/>	bar	<input type="text"/>
Nitrogen:	<input type="text"/>	bar	<input type="text"/>

1.2 Owner's Record of the Equipment

Record the Model and Serial Number from the Serial Equipment Identification Tag to the space provided below. Indicate the date in which the Connect Work Tools equipment was placed into service.

Model CH120: CH120

Serial Number: _____

In Service Date: _____

Your Connect Work Tools representative requires this information to better assist you with questions regarding parts, warranty, operation, maintenance, or repair.

Your equipment must be registered by your local Distributor at the time of sale.

Product Registration Date: _____

2.0 Decals - CH120

All decals pictured are included in decal kits (with exception of No. 10)

2.1 Standard Decals



1. Part Number 16-00076 - Decal Warning Dust



2. Part Number 16-00077 - Decal Warning Flying Objects



3. Part Number 16-00078 - Decal Warning Read Manual



4. Part Number 16-00079 - Decal Warning Noise



5. Part Number 16-00080 - Decal Grease Point



6. Part Number 16-00081 - Decal Warning Safe Distance



7. Part Number CHE00151 - Decal CH120



8. Part Number CHE00109 - Decal Connect Logo CH120



9. Part Number CHE00127 - Decal SN Plate (Not included in Decal Kit)



10. Part Number 16-00082 - Decal Lift Point



11. Part Number CHE00111 - Decal Warning Nitrogen (N²)

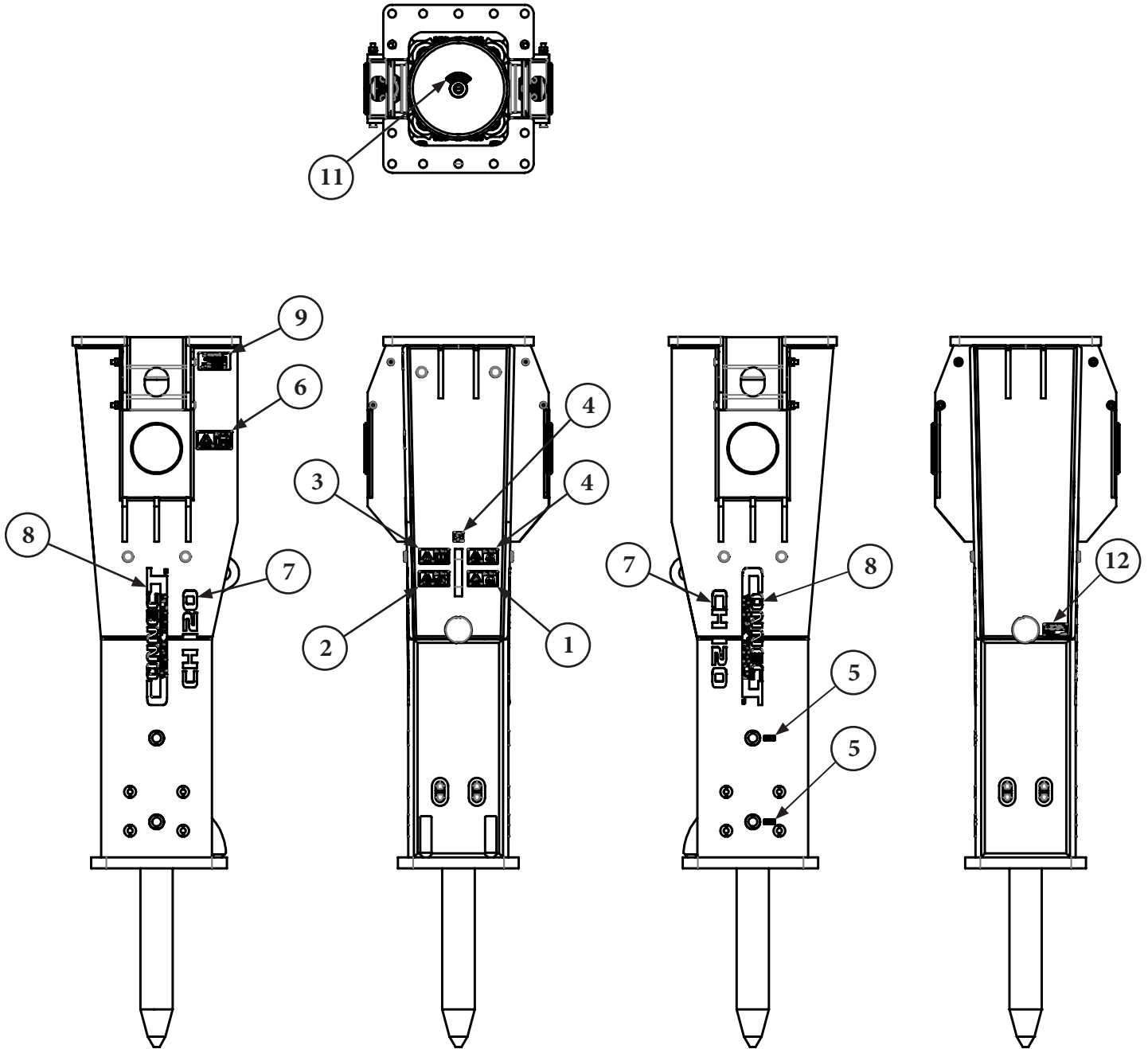


12. Part Number CHE00596 - Decal Warning Anti-Blank Fire (CH100 Model only)

Part Number CHE00152 - Decal Kit for CH120

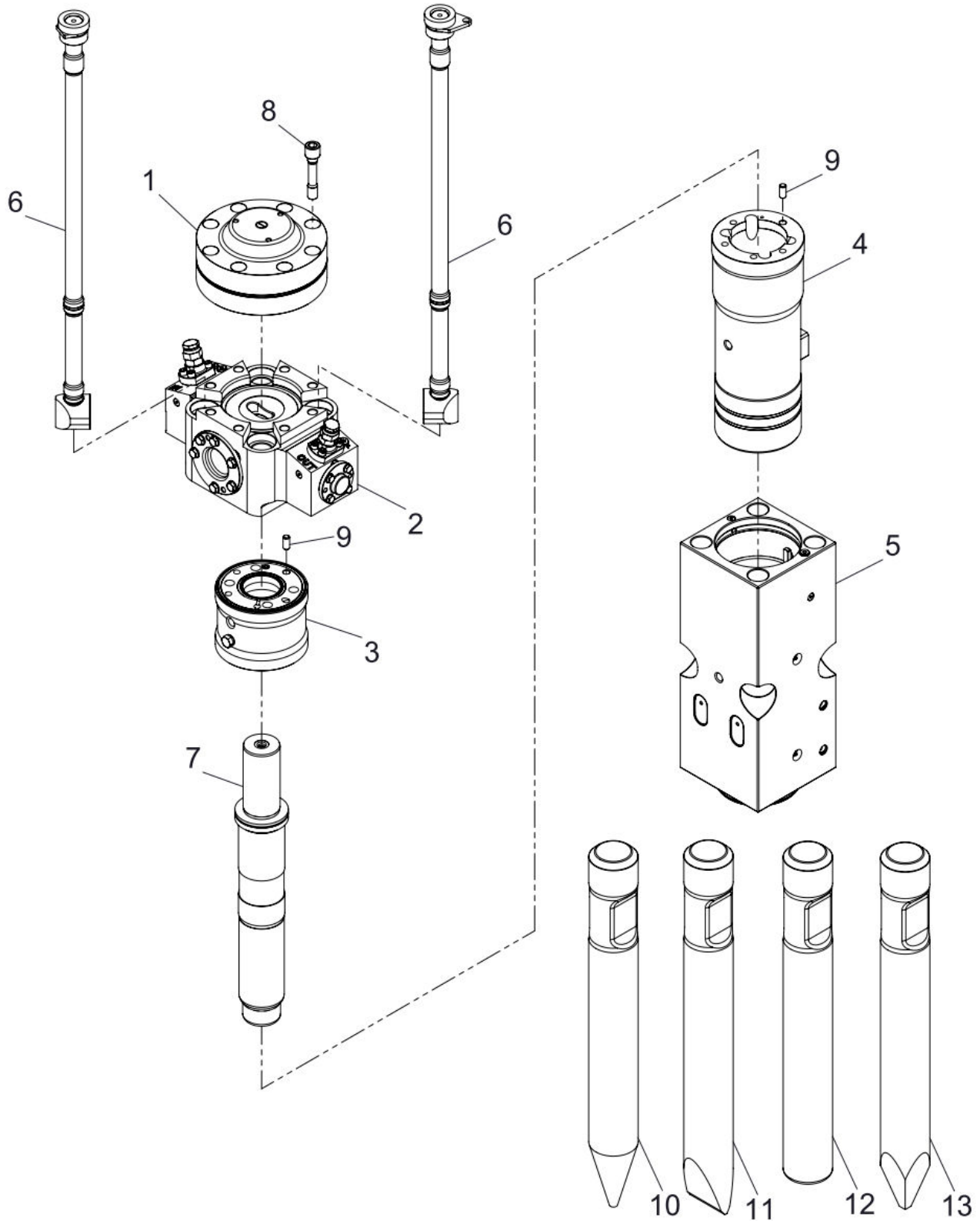
2.0 Decals - CH120

2.2 Breaker CH120 Side-Plated Decal Placement



3.0 Hammer - CH120

3-1. Hammer (Auto Grease)

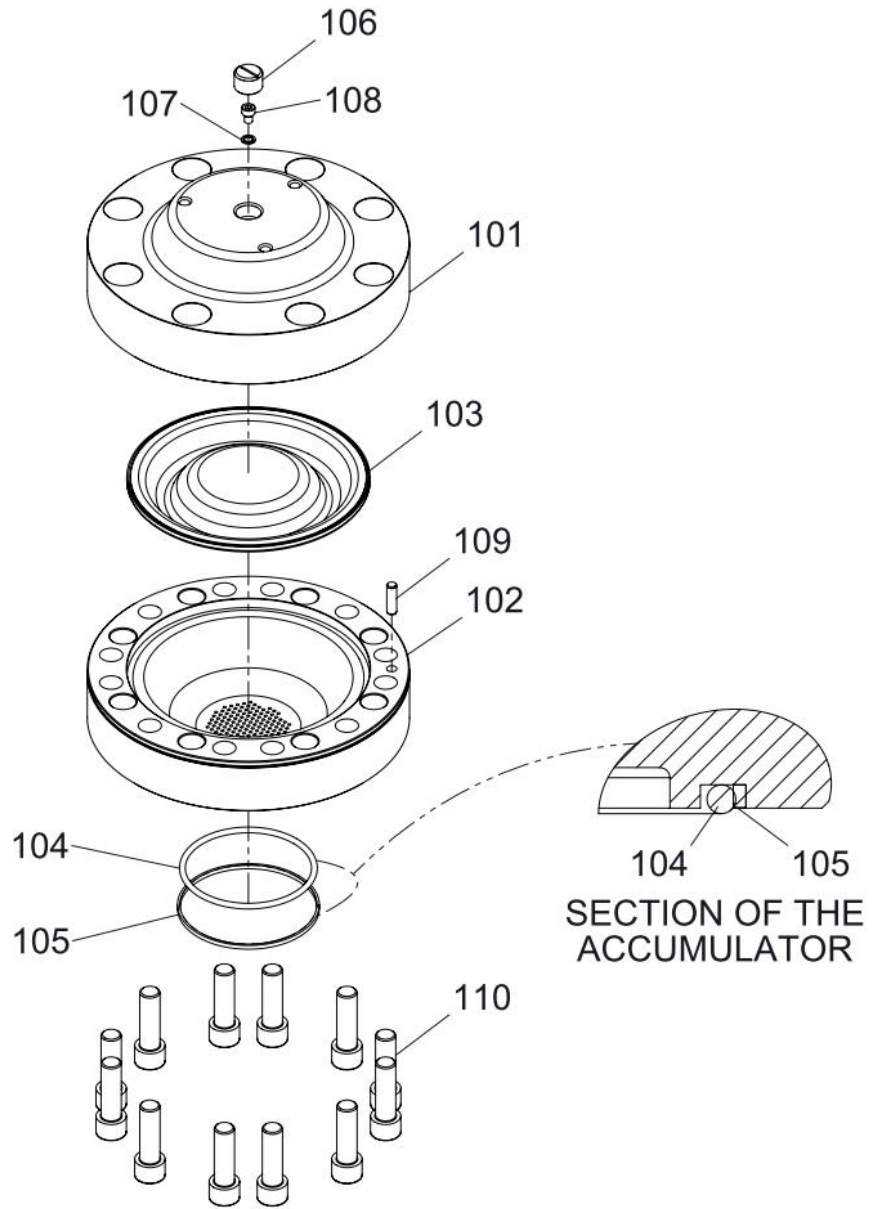


3.0 Hammer - CH120

NO.	PART NO.	PART NAME	QTY	REMARK
	CHB5502	HAMMER TOTAL ASSY	1	
1	CHB1806500	ACC. SUB ASSY	1	
2	CHB180651A	VALVE HOUSING SUB ASSY	1	
3	CHB180652A	SEAL HOUSING SUB ASSY	1	
4	CHB180653B	CYLINDER SUB ASSY	1	
5	CHB180654A	FRONT HEAD SUB ASSY	1	
6	CHB1806130K	SIDE ROD SUB ASSY	4	
7	CHB1806050	PISTON	1	
8	CHB1806100	ACC. COVER ASSY	8	
9	CHB4006310	GUIDE PIN	2	
10	CHB1806380	TOOL-CONE	1	OPTION
11	CHB1806390	TOOL-CHISEL	1	OPTION
12	CHB1806400	TOOL-BLUNT	1	OPTION
13	CHB1806620	TOOL-MOIL	1	OPTION
	CHB180780B	SEAL KIT		

3.0 Hammer - CH120

3-2. Accumulator Sub Assembly

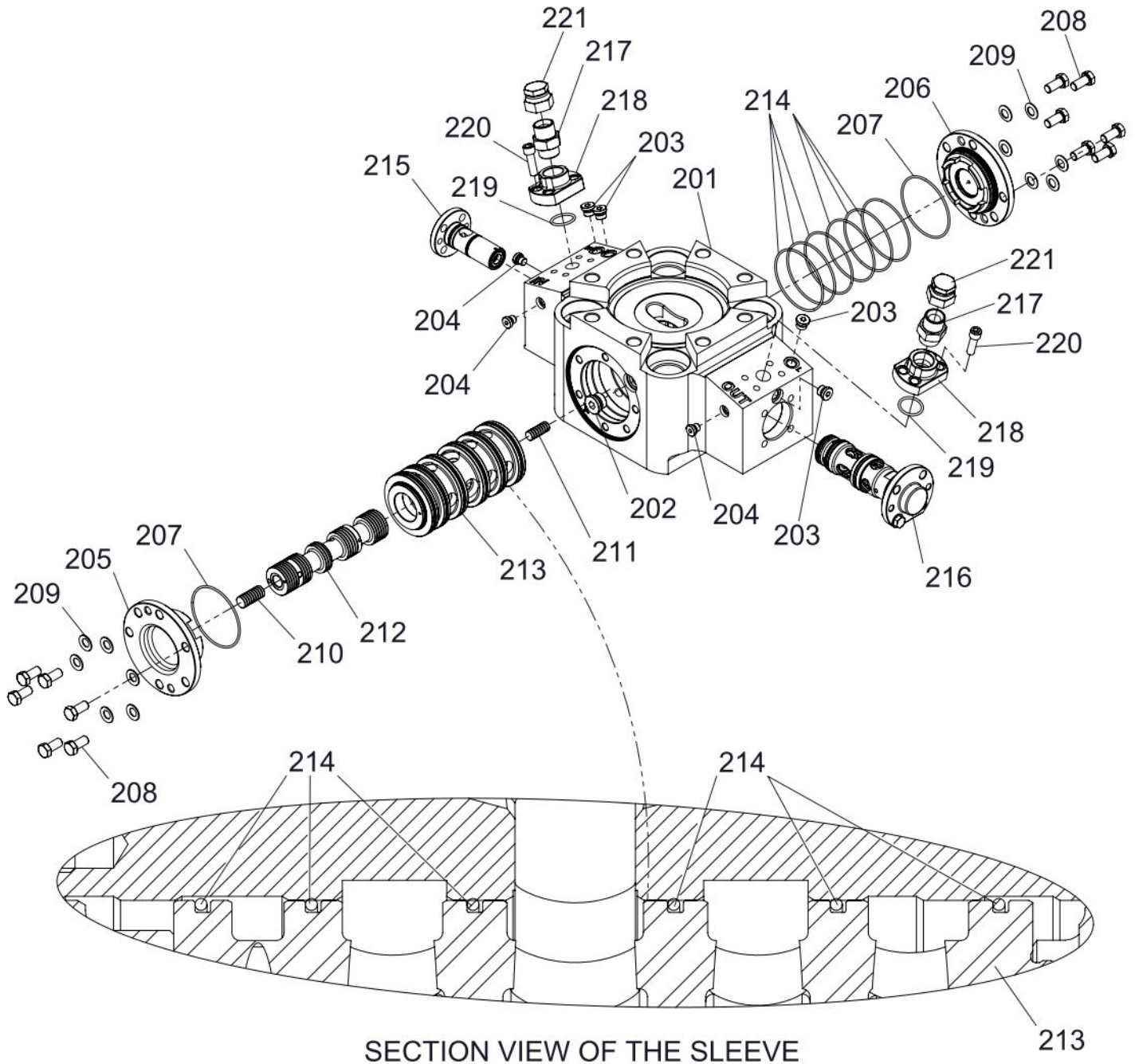


3.0 Hammer - CH120

NO.	PART NO.	PART NAME	QTY	REMARK
1	CHB1806500	ACC. SUB ASSY	1	
101	CHB1806020	ACCUMULATOR COVER	1	
102	CHB180603A	ACC. BOTTOM	1	
103	CHB200704D	MEMBRANE	1	
104	CHB2507270	O-RING	1	PART OF SEAL KIT
105	CHB2507280	BACK UP RING	1	PART OF SEAL KIT
106	CHB4007010	ACC. CAP	1	
107	CHB4007020	USIT RING	1	PART OF SEAL KIT
108	CHB4006420	ACC. GAS BOLT	1	
109	CHB4006370	GUIDE PIN	1	
110	CHSB2215065	SOCKET BOLT	12	

3.0 Hammer - CH120

3-3. Valve Housing Sub Assembly

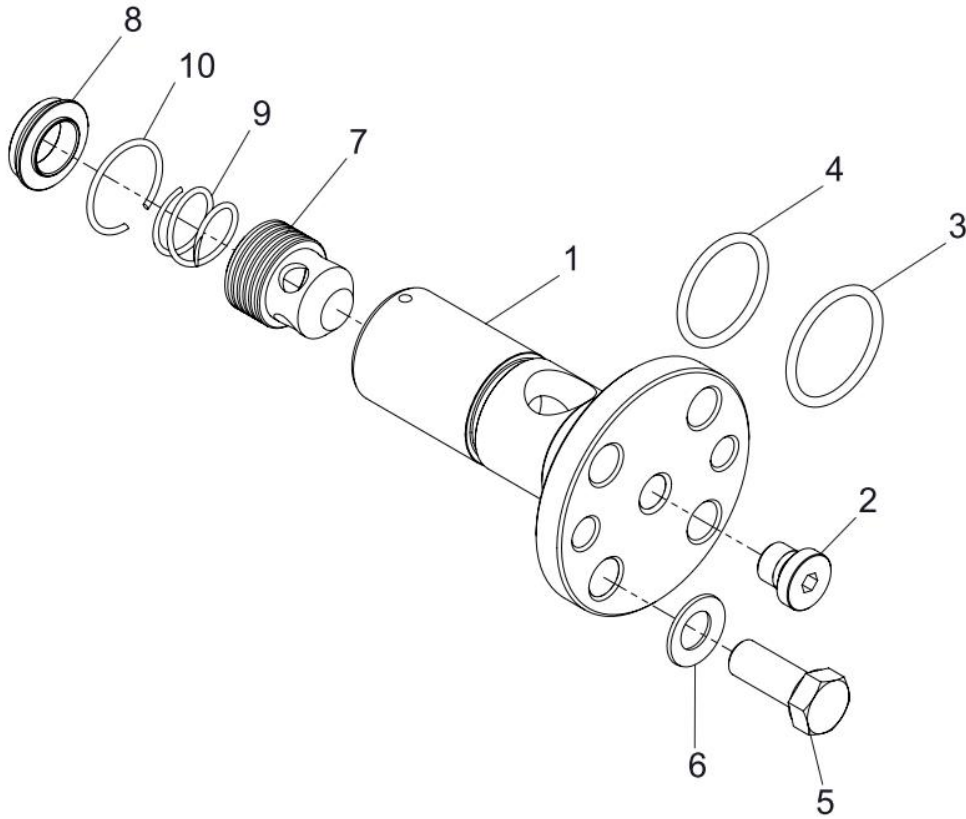


3.0 Hammer - CH120

NO.	PART NO.	PART NAME	QTY	REMARK
2	CHB180651A	VALVE HOUSING SUB ASSY	1	
201	CHB1806760	VALVE HOUSING	1	
202	CHB2506520	SOCKET PLUG	1	
203	CHB4006910	SOCKET PLUG	3	
204	CHB4006450	SOCKET PLUG	4	
205	CHB1506150	SLEEVE COVER 1	1	
206	CHB1506240	SLEEVE COVER 2	1	
207	CHB2507120	O-RING	2	PART OF SEAL KIT
208	CHHB1420030	HEX BOLT	12	
209	CHCW140000	CONICAL WASHER	12	
210	CHB2506250	SPOOL 1	1	
211	CHB2506160	SPOOL 2	1	
212	CHB2506170	MAIN SPOOL	1	
213	CHB2506180	SLEEVE	1	
214	CHB2507070	O-RING	6	PART OF SEAL KIT
215	CHB160607B	CHECK VALVE SUB ASSY	1	
216	CHB180655B	OPER VALVE SUB ASSY	1	
217	CHAPT16MJS16M	ADAPTER	1	PF1" - OPTION
218	CHB4006200	FLANGE	1	OPTION
219	CHB4007050	O-RING	1	OPTION
220	CHSB1217040	SOCKET BOLT	4	OPTION
221	CHCJS16F	UNION CAP	1	PF1" - OPTION

3.0 Hammer - CH120

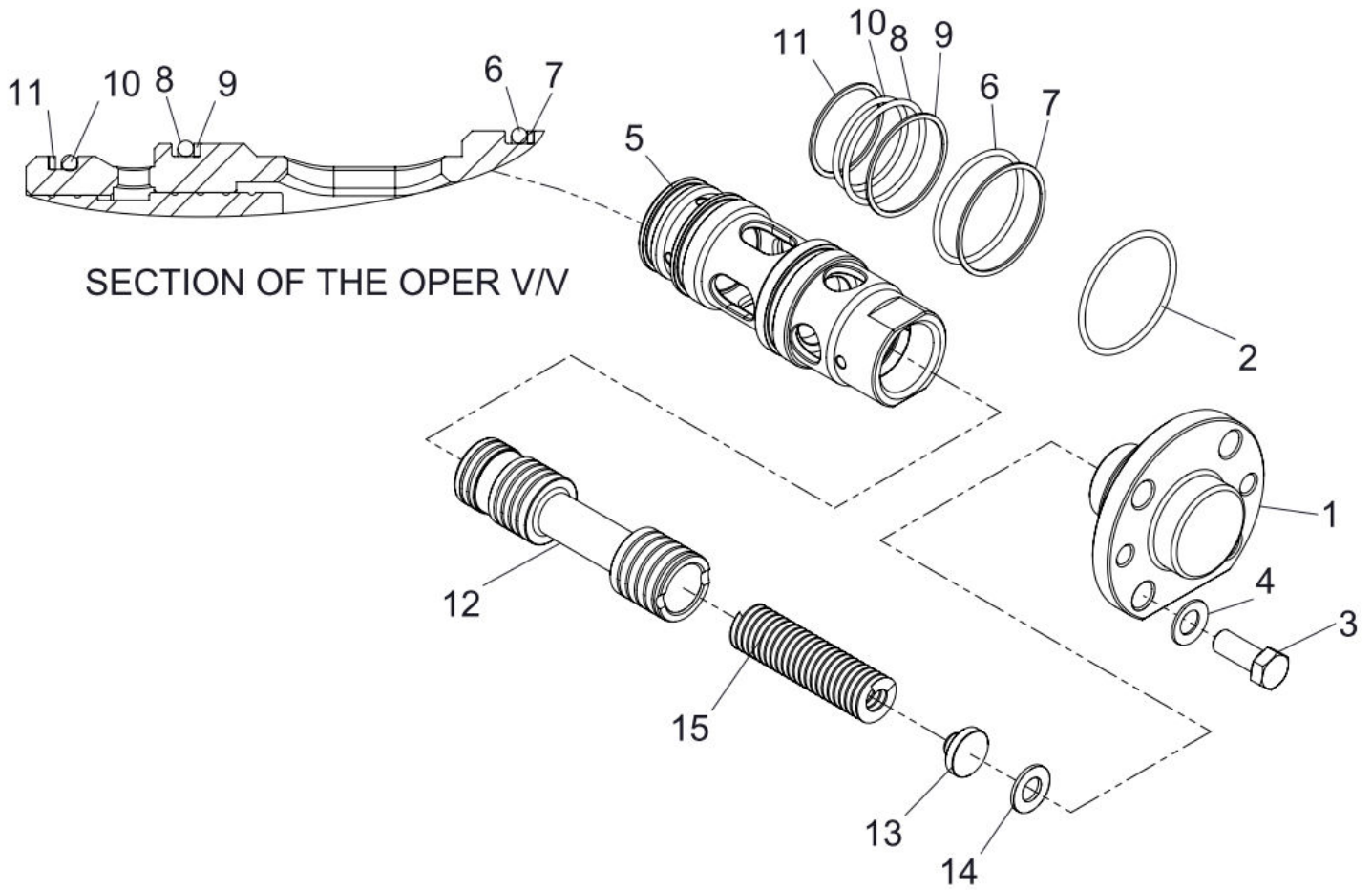
4-3-1. Check Valve Sub Assembly



NO.	PART NO.	PART NAME	QTY	REMARK
215	CHB160607A	CHECK VALVE SUB ASSY	1	
1	CHB2506210	CHECK VALVE HOUSING	1	
2	CHB4006450	SOCKET PLUG	1	
3	CHB2507290	O-RING	1	PART OF SEAL KIT
4	CHB2507300	O-RING	1	PART OF SEAL KIT
5	CHHB1217030	HEX BOLT	4	
6	CHCW120000	CONICAL WASHER	4	
7	CHB2506220	CHECK VALVE SPOOL	1	
8	CHB2506230	CHECK V/V SPRING GUIDE	1	
9	CHB2506480	CHECK VALVE SPRING GUIDE	1	
10	CHB2506490	LOCK RING	1	

3.0 Hammer - CH120

3-3-2 Oper. Valve Sub Assembly

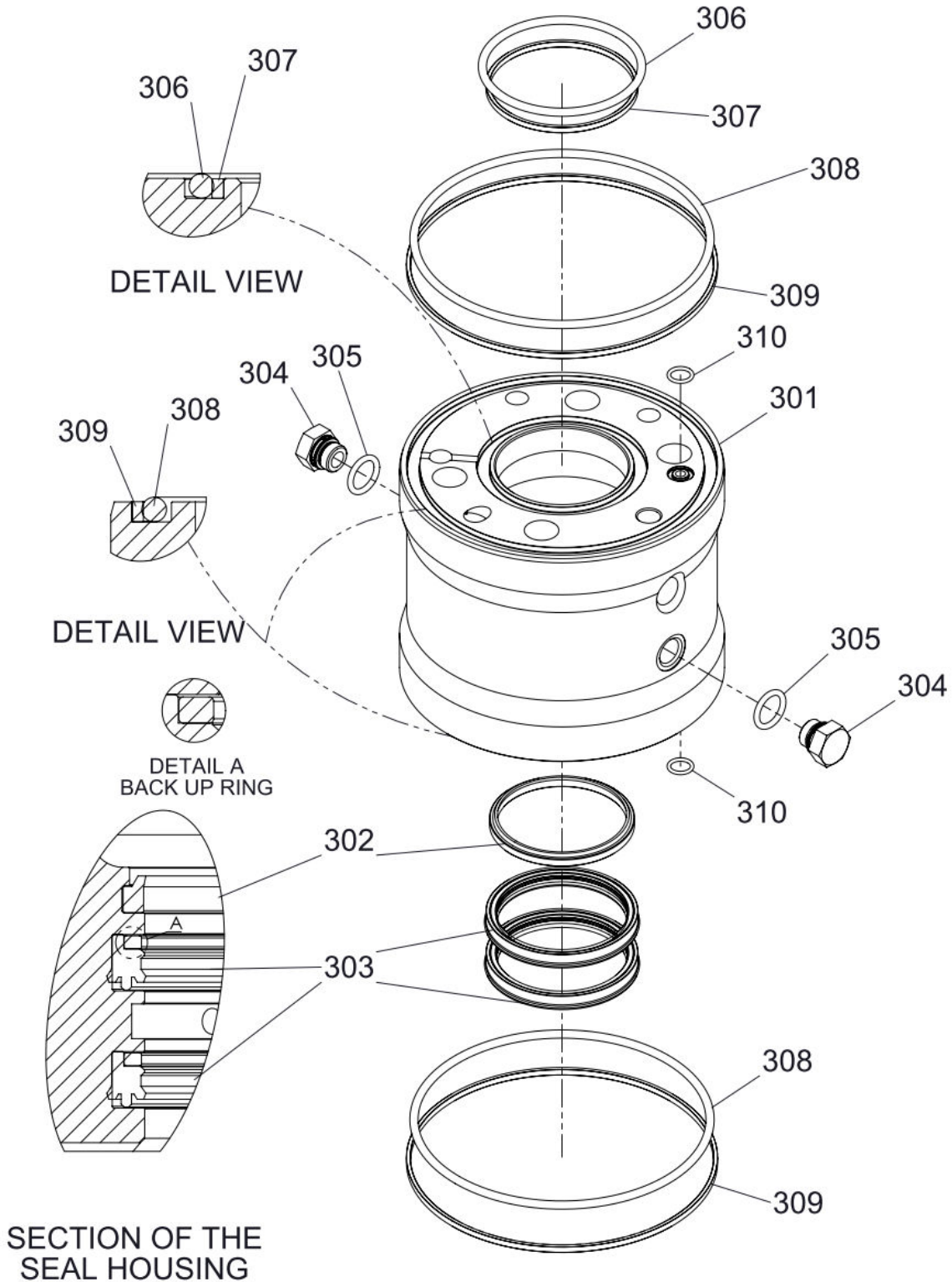


3.0 Hammer - CH120

NO.	PART NO.	PART NAME	QTY	REMARK
216	CHB180655B	OPER VALVE SUB ASSY	1	
1	CHB2506300	OPER. VALVE COVER	1	
2	CHB4007200	O-RING	1	PART OF SEAL KIT
3	CHHB1217030	HEX. BOLT	4	
4	CHCW120000	CONICAL WASHER	4	
5	CHB1806260	OPER. VALVE GUIDE	1	
6	CHB4007190	O-RING	1	PART OF SEAL KIT
7	CHB6007350	BACK UP RING	1	PART OF SEAL KIT
8	CHB2507200	O-RING	1	PART OF SEAL KIT
9	CHB2507360	BACK UP RING	1	PART OF SEAL KIT
10	CHB2507190	O-RING	1	PART OF SEAL KIT
11	CHB2507350	BACK UP RING	1	PART OF SEAL KIT
12	CHB2506270	OPER. VALVE SPOOL	1	
13	CHB2506280	OPER.V/V SPRING GUIDE	1	
14	CHB2506440	SHIM PLATE	1	
15	CHB2506870	OPER. VALVE SPRING	1	

3.0 Hammer - CH120

3-4 Seal Housing Sub Assembly

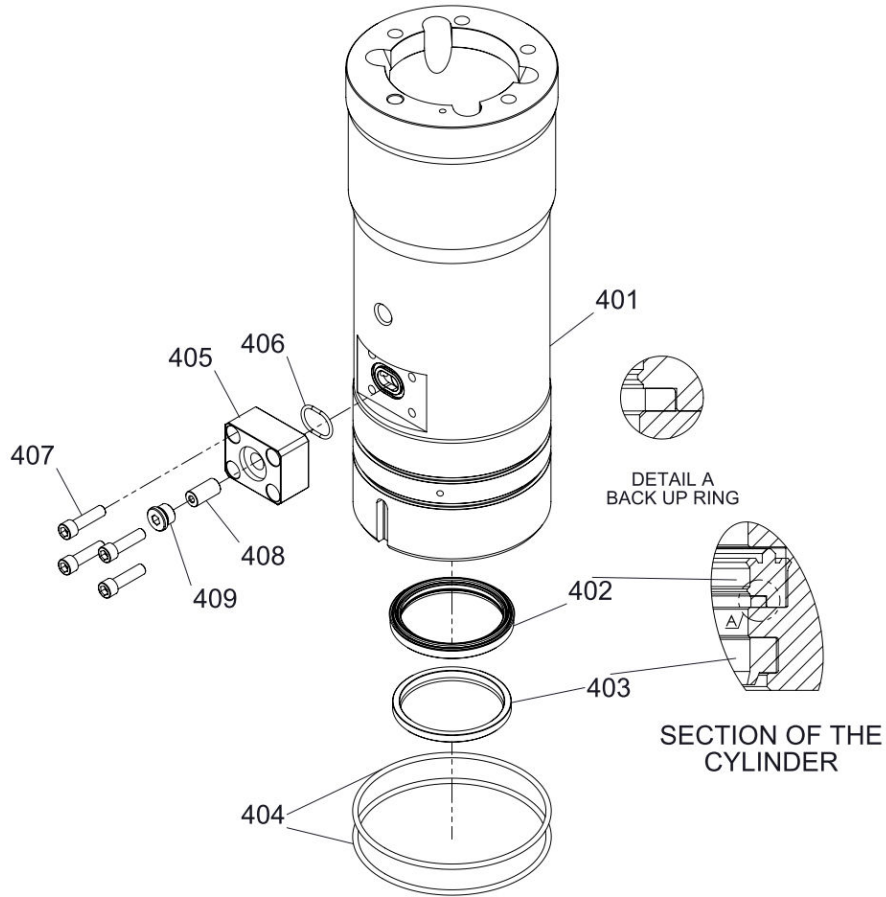


3.0 Hammer - CH120

NO.	PART NO.	PART NAME	QTY	REMARK
3	CHB180652A	SEAL HOUSING SUB ASSY	1	
301	CHB1806710	SEAL HOUSING	1	
302	CHB1807140	WIPER	1	PART OF SEAL KIT
303	CHB1807150	SEAL	2	PART OF SEAL KIT
304	CHB2006870	AIR VENT PLUG	2	
305	CHB0407150	O-RING	2	PART OF SEAL KIT
306	CHB1807080	O-RING	1	PART OF SEAL KIT
307	CHB1807090	BACK UP RING	1	PART OF SEAL KIT
308	CHB1807100	O-RING	2	PART OF SEAL KIT
309	CHB1807110	BACK UP RING	2	PART OF SEAL KIT
310	CHB1807310	O-RING	2	PART OF SEAL KIT

3.0 Hammer - CH120

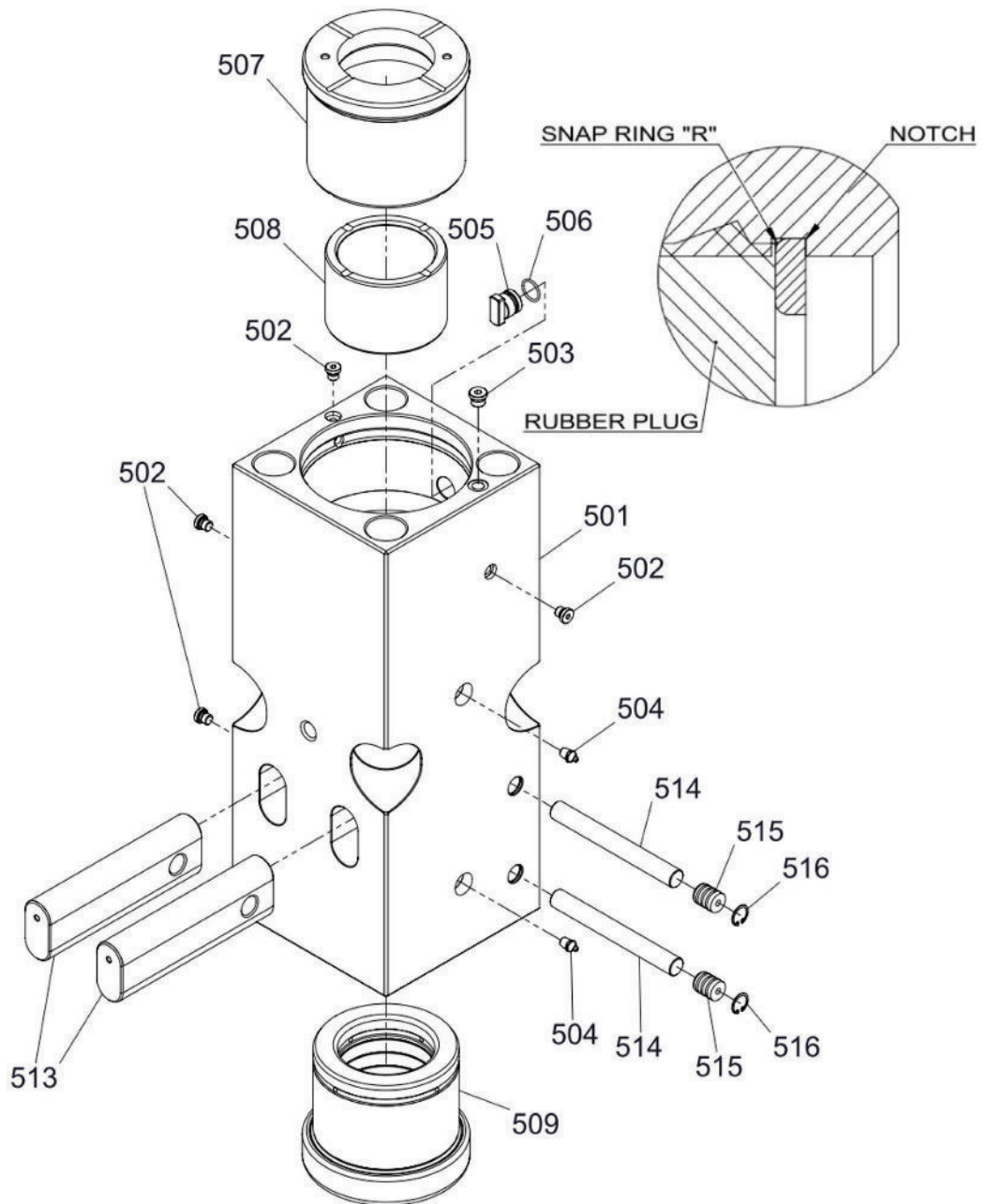
3-5. Cylinder Sub Assembly



NO.	PART NO.	PART NAME	QTY	REMARK
4	CHB180653B	CYLINDER SUB ASSY	1	
401	CHB1806750	CYLINDER	1	
402	CHB1807160	SEAL	1	PART OF SEAL KIT
403	CHB1807170	WIPER	1	PART OF SEAL KIT
404	CHB1807130	O-RING	2	PART OF SEAL KIT
405	CHB2806360	STOP VALVE	1	
406	CHA3206550	O-RING	1	PART OF SEAL KIT
407	CHSB1217045	SOCKET BOLT	4	
408	CHB1406790	ASO PIN	1	
409	CHA1206780	METRIC HOLLOW HEX PLUG	1	

3.0 Hammer - CH120

3-6. Front Head Sub Assembly

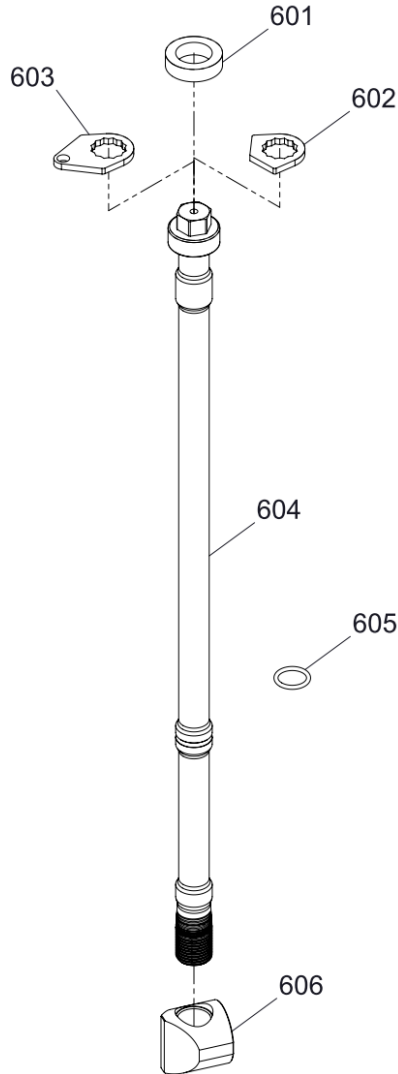


3.0 Hammer - CH120

NO.	PART NO.	PART NAME	QTY	REMARK
5	CHB180654A	FRONT HEAD SUB ASSY	1	
501	CHB1806810	FRONT HEAD	1	
502	CHB4006450	SOCKET PLUG	4	
503	CHB4006910	SOCKET PLUG	1	
504	CHB4006560	GREASE NIPPLE	2	
505	CHB4006330	WEDGE	1	
506	CHB4007260	O-RING	1	PART OF SEAL KIT
507	CHB1806730	THRUST RING	1	
508	CHB1806080	UPPER BUSHING	1	
509	CHB1806840	TOOL BUSHING	1	
513	CHB1806340	TOOL PIN	2	
514	CHB1806350	BUSHING PIN	2	
515	CHB1806580	RUBBER PLUG	2	
516	CHB1806570	SNAP RING	2	

3.0 Hammer - CH120

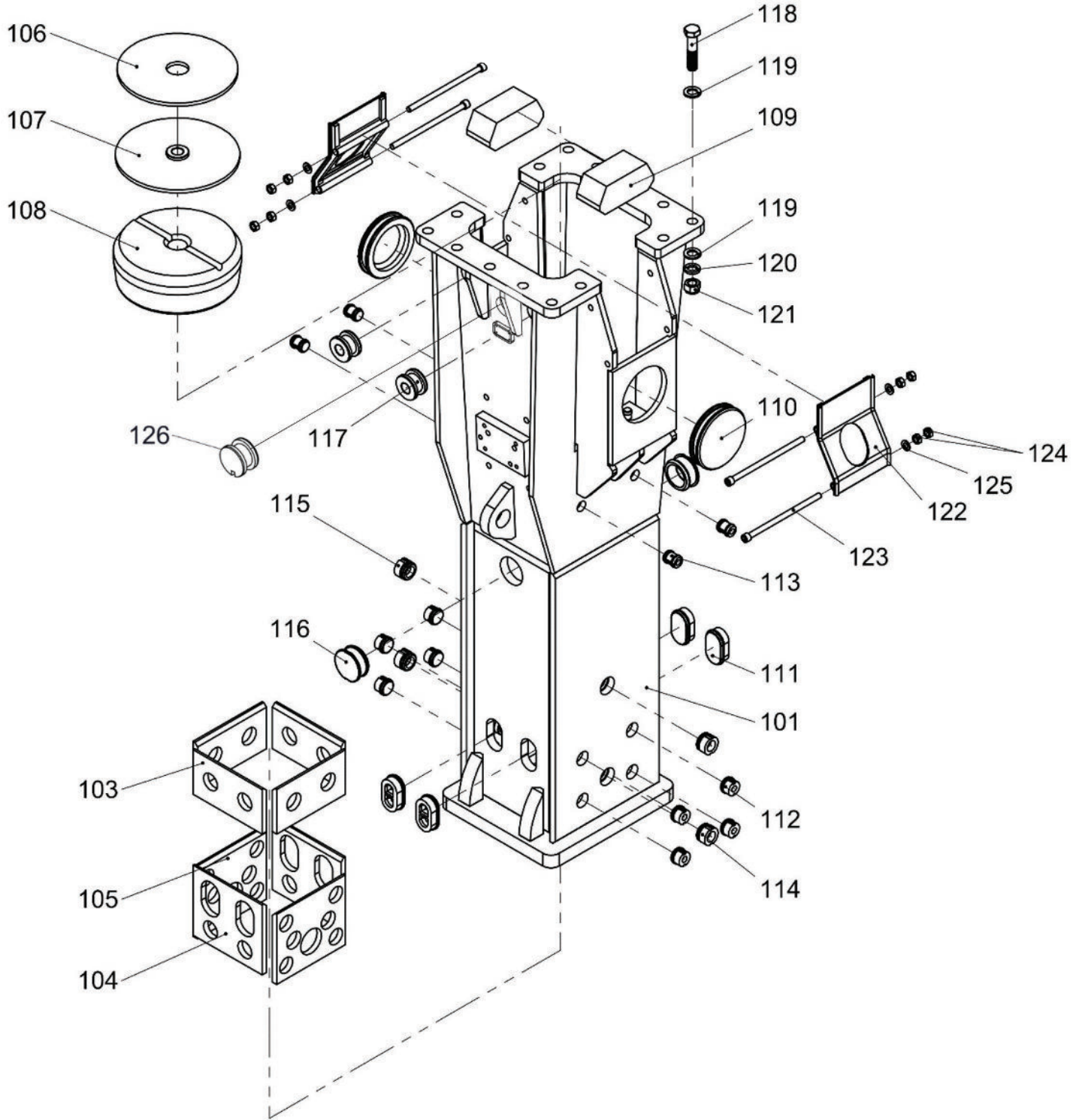
3-7. Side Rod Sub Assembly



NO.	PART NO.	PART NAME	QTY	REMARK
6	CHB1806130K	SIDE ROD SUB ASSY	4	
601	CHB1807030	RUBBER RING	1	
602	CHB1806110	LOCK WASHER	1	3 of 4
603	CHB1806120	LOCK WASHER	1	1 of 4
604	CHB1806130	SIDE ROD	1	
605	CHB1807250	O-RING	1	PART OF SEAL KIT
606	CHB1806140	SIDE ROD NUT	1	

4.0 Housing - CH120

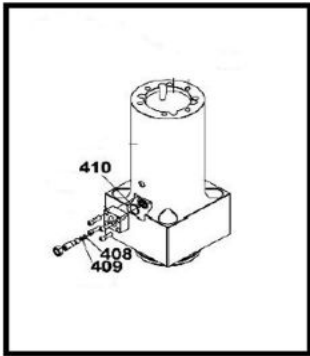
5-1. Box Housing



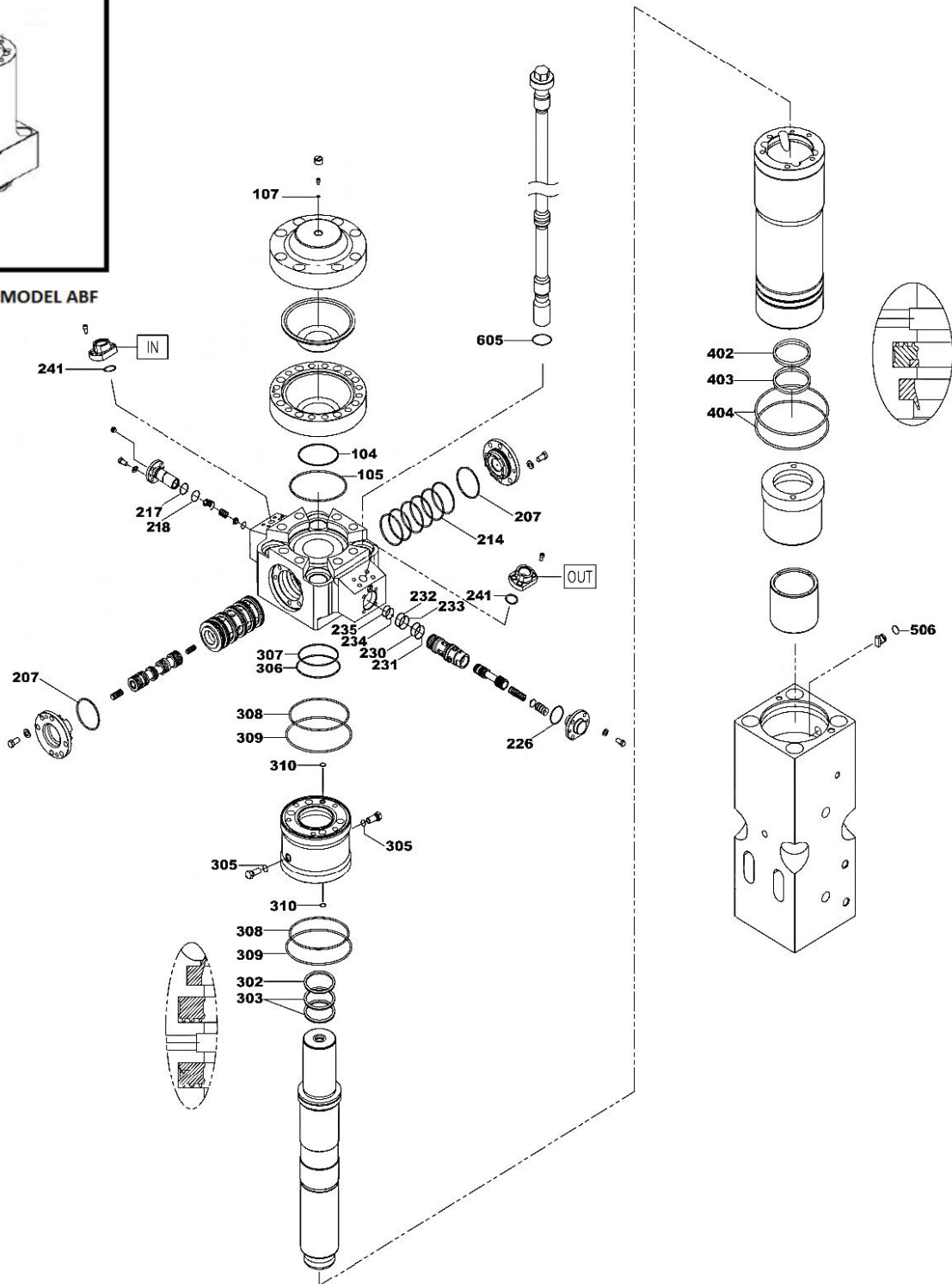
4.0 Housing - CH120

NO.	PART NO.	PART NAME	QTY	REMARK
	CHB1804500	HOUSING TOTAL ASSY	1	
101	CHB1804510	HOUSING WELD ASSY	1	
103	CHB1800030	WEARING PLATE	4	
104	CHB1800040	WEARING PLATE	2	
105	CHB1800050	WEARING PLATE	2	
106	CHB2500060	TOP WEARING PLATE	1	
107	CHB2500070	TOP PLATE ASSY	1	
108	CHB1800080	TOP BUFFER	1	
109	CHB2500090	SIDE BUFFER	2	
110	CHB2500100	RUBBER	2	
111	CHB1800110	RUBBER PLUG	4	
112	CHB1800130	RUBBER PLUG	8	
113	CHB3000140	RUBBER PLUG	4	
114	CHB3200040	RUBBER GREASE	2	
115	CHB3200050	RUBBER PLUG	2	
116	CHB1601460	RUBBER PLUG	2	
117	CHB400W27A	RUBBER PLUG	2	
118	CHHB2430110	HEX BOLT	14	
119	CHPW240000	PLAIN WASHER	28	
120	CHSW240000	SPRING WASHER	14	
121	CHNN243000	NYLON NUT	14	
122	CHB2500150	PORT COVER	2	
123	CHSB1420260	SOCKET	4	
124	CHHN142000	HEX NUT	8	
125	CHPW140000	PLAIN WASHER	4	
126	CHB400W270	RUBBER PLUG	2	

5.0 Seal Kits - CH120



ANTI BLANK FIRE MODEL ABF

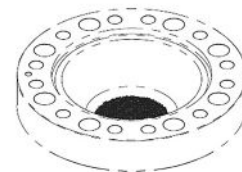
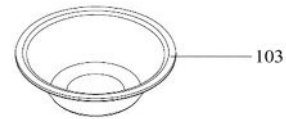
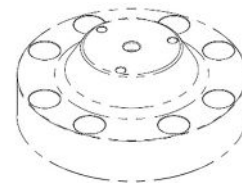
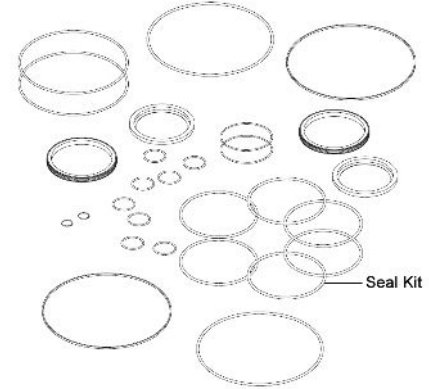
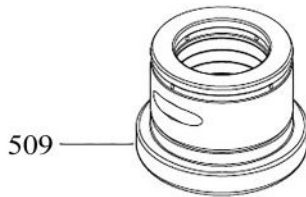
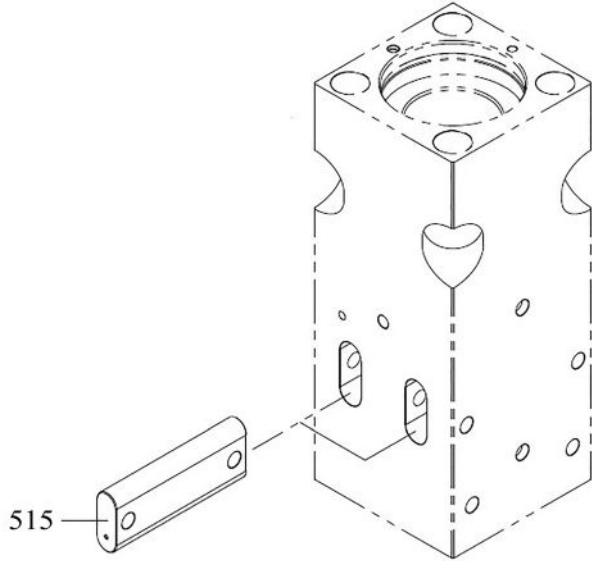


5.0 Seal Kits - CH120

Item	Illustration	QTY	Description	Part Number	Assembly Area
1		1	SEAL KIT	CHB180780BHX	
2	241	2	O - RING	CHB4007050	FLANGE (IN,OUT)
3	214	6	O - RING	CHB2507070	SLEEVE
4	306	1	O - RING	CHB1807080	SEAL HOUSING
5	307	1	BACK UP RING	CHB1807090	SEAL HOUSING
6	308	2	O - RING	CHB1807100	SEAL HOUSING
7	309	2	BACK UP RING	CHB1807110	SEAL HOUSING
8	207	2	O - RING	CHB2507120	SLEEVE COVER 1,2
9	404	2	O - RING	CHB1807130	CYLINDER
10	302	1	WIPER	CHB1807140	SEAL HOUSING
11	303	2	SEAL	CHB1807150	SEAL HOUSING
12	402	1	SEAL	CHB1807160	CYLINDER
13	403	1	WIPER	CHB1807170	CYLINDER
14	234	1	O - RING	CHB2507190	V/V GUIDE
15	232	1	O - RING	CHB2507200	V/V GUIDE
16	230	1	O - RING	CHB4007190	V/V GUIDE
17	226	1	O - RING	CHB4007200	V/V COVER
18	605	4	O - RING	CHB1807250	SIDE ROD
19	506	1	O - RING	CHB4007260	WEDGE
20	107	1	USIT RING	CHB4007020	ACC. COVER
21	104	1	O - RING	CHB2507270	ACC. BOTTOM
22	105	1	BACK UP RING	CHB2507280	ACC. BOTTOM
23	217	1	O - RING	CHB2507290	CHECK V/V HOUSING
24	218	1	O - RING	CHB2507300	CHECK V/V HOUSING
25	310	2	O - RING	CHB1807310	SEAL HOUSING
26	235	1	BACK UP RING	CHB2507350	V/V GUIDE
27	233	1	BACK UP RING	CHB2507360	V/V GUIDE
28	231	1	BACK UP RING	CHB6007350	V/V GUIDE
29	305	2	O - RING	CHB0407150	AIR VENT PLUG
30	408	1	O - RING	CHA3206550	CYLINDER / STOP VALVE
31	409	1	O - RING	CHB1807310	CYLINDER / ADJUST BOLT
32	410	1	BACK UP RING	CHA3007160	CYLINDER / ADJUST BOLT
33	514	1	WIPER	CHB1807330	TOOL BUSHING (OPTION)

6.0 Rebuild Kits - CH120

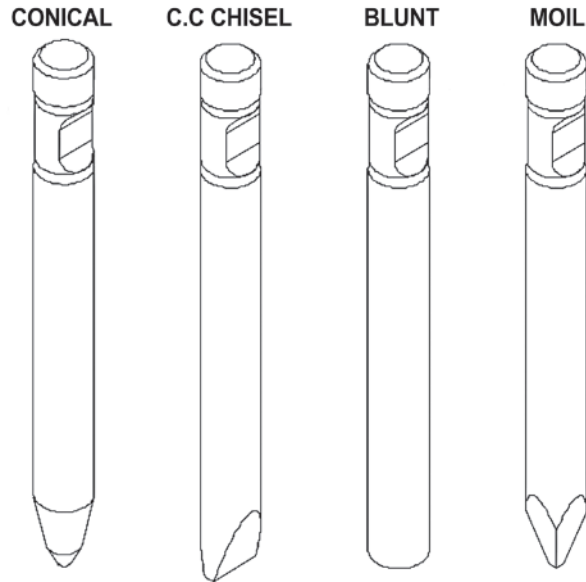
6.1 Rebuild Kits



REBUILD KIT - CH120			
ITEM	QTY	DESCRIPTION	PART NUMBER
	1	KIT	CHTKB550EXO
515	2	TOOL PIN	CHB1806340
509	1	TOOL BUSHING	CHB1806840
103	1	MEMBRANE	CHB200704A
	1	SEAL KIT	CHB180780BHX

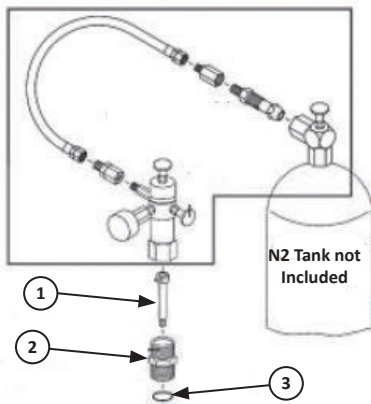
7.0 Tool Bits - CH120

7.1 Tool Bits



TOOL BITS - CH120	
TOOL TYPE	PART NUMBER
CONICAL	CHB1806380
CHISEL	CHB1806390
BLUNT	CHB1806400
MOIL	CHB1806620

8.0 Tools Nitrogen (N²) Charge Kit



NITROGEN CHARGE KIT
Part Number: CHT0006

TOOLING NITROGEN (N ₂) CHARGE KIT			
ITEM	PART NUMBER	DESCRIPTION	QTY
	CHTBMS0001	N2 CHARGE KIT	1
1	CHBM1C60052	CHARGE TOOL SOCKET HEAD BOLT	1
2	CH1G020026	CHARGE TOOL ADAPTER	1
3	CGA2507380	O-RING	1

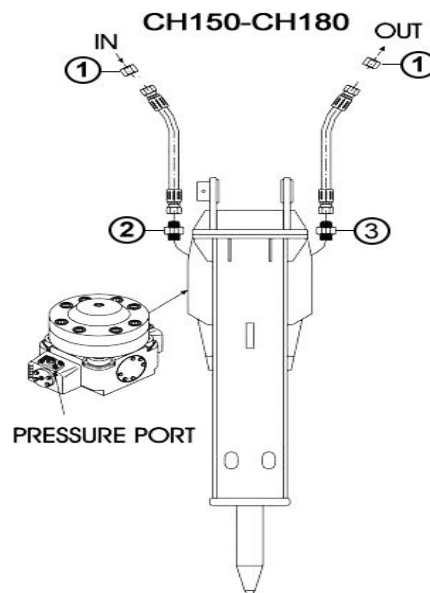
9.0 Hoses - CH120

MODEL	HOSE CHART - CH120				
	PART NUMBER	LENGTH	DIA. / PSI	FITTING 1	FITTING 2
CH120	40-02171	96"	1.00"/3000	16FJSW	16FJSW

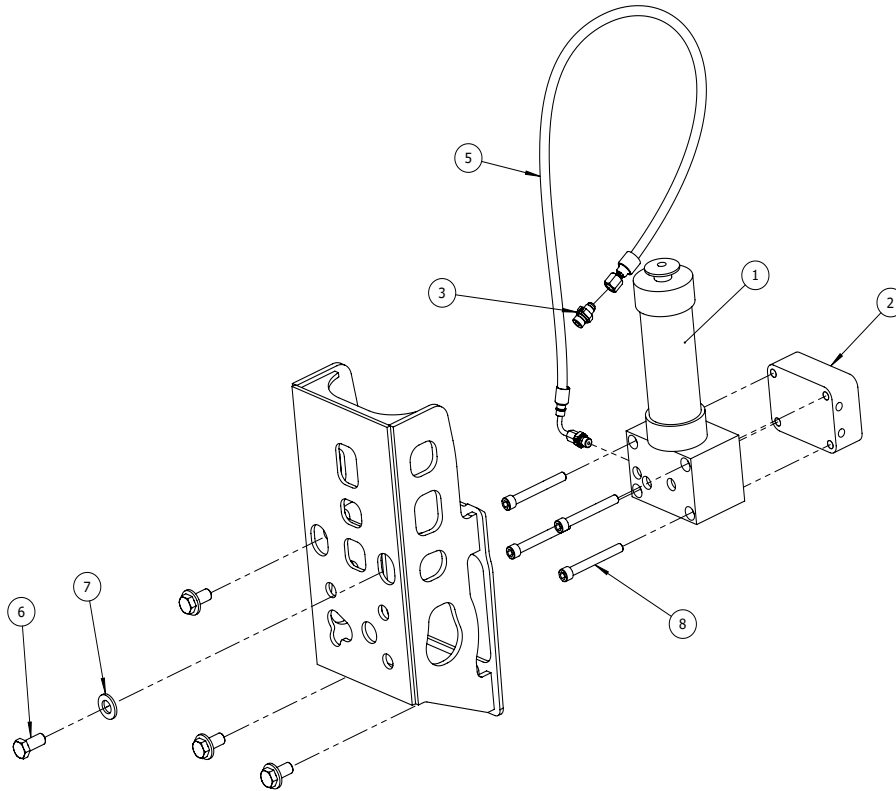
MODEL	HOSE PLUGS - CH120		
	PART NUMBER	ITEM	DESCRIPTION
CH120	CHE00199	1	Plug 16 JIC 37 Degree

MODEL	HOSE ADAPTORS - INLET BREAKER PORT				
	ADAPTOR PN #	ITEM	FLANGE	INLET ADAPTOR	HOSE / CARRIER
CH120	CHE00202	2	CHB1506670	-16 SAE ORB	-16 JIC

MODEL	HOSE ADAPTORS - OUTLET BREAKER PORT				
	ADAPTOR PN #	ITEM	FLANGE	INLET ADAPTOR	HOSE / CARRIER
CH120	CHE00202	3	CHB1506670	-16 SAE ORB	-16 JIC



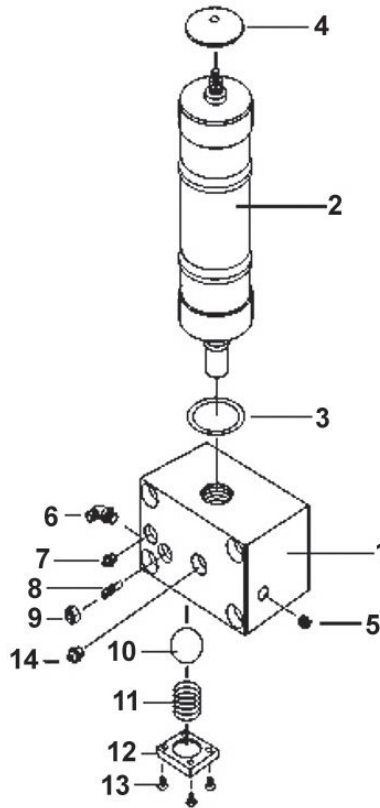
10.0 Mounted Lubricator - Medium Series - CH120



MOUNTED LUBRICATOR - CH120

ITEM	QTY	DESCRIPTION	PN#
1	1	AUTO GREASE PUMP(U)/500ML	CHAGRU0500
2	1	GREASE PUMP PLATE BML WELD-ON	CHB2003550
3	2	ADAPTER	CHBHSSG102
4	1	WLDT BML LUBE GUARD	CHE01091
5	1	PLUMBING KIT BML CH110-CH175	CHE01743
6	4	HEX BOLT	CHHB1620035
7	4	WASHER M16 - 25.4 X 3.4 P_	CHPW160000
8	4	SH CS M12 - 1.75 X 100 B_12.9	CHSB1217100

11.0 Breaker Mounted Lubricator



BREAKER MOUNTED LUBRICATOR

ITEM	PARTS NO.	DESCRIPTION
	CHAGRU0500	PUMP
1	CHHLU-0300	11U-BODY
2	CHHL0101	RECHARGEABLE CARTRIDGE
3	CHHL0041	O-RING
4	CHHL0810	HANDLE
5	CHHL0920	PLUG
6	CHHL0360	ZERK
7	CHHNG18	ZERK -GREASE
8	CHHL0240	ADJUSTER
9	CHHNM1201	NUT
10	CHHL0350	BALL
11	CHHL0220	SPRING
12	CHHL0330	COVER
13	CHJBM0615	BOLT
14	CHHNG18	ZERK-GREASE

CONNECTTM
WORK TOOLS

920.238.6657

www.connectworktools.com

