
CONNECTTM
WORK TOOLS



Large Series Breaker

Model: CH180

Parts Manual CH-Series



Part #CHE02414

Connect Work Tools - www.connectworktools.com - 920.238.6657

Contact Information - CH180



Connect Work Tools
155 Main Street
Superior, WI 54880

E-mail: info@connectworktools.com
Main Phone: 920-238-6657
Fax: 715-395-3703

Contact your Connect Work Tools Representative or the Connect Work Tools Parts Department for replacement manuals.
Inquiries regarding the content of this manual must include the release date shown below.

Information in this manual is subject to change without advance notice.

Table 1.1 About this manual

Document ID No.	CHE02414
Type	Parts
Release Date	February 2025
Product Name	Hydraulic Breakers
Series	CH
Applicable Models	CHE
Years of Manufacture	2025 & above

Table of Contents - CH180

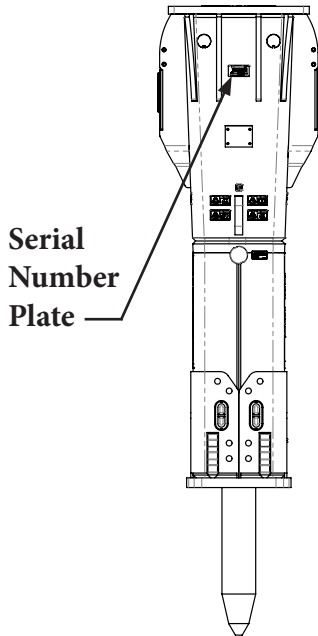
Table of Contents

Contact Information - CH180	3
1.0 Equipment Identification - CH180	
1.1 Location of Serial Number	5
1.2 Owner's Record of Equipment	5
2.0 Decals - CH180	
2.1 Standard Decals	6
2.2 Breaker CH180 Side-Plated Decal Placement	7
3.0 Hammer - CH180	
3.1 Hammer	8
3.2 Accumulator Sub Assembly	10
3.3 Valve Housing Sub Assembly	12
3.3.1 Check Valve Sub Assembly	14
3.3.2 Oper. Valve Sub Assembly	16
3.4 Seal Housing Sub Assembly	18
3.5 Cylinder Sub Assembly	20
3.6 Front Head Sub Assembly	22
3.7 Side Rod Sub Assembly	24
4.0 Housing - CH180	
4.1 Box Housing	26
5.0 Seal Kit - CH180	28
6.0 Rebuild Kits - CH180	30
7.0 Tool Bits - CH180	31
8.0 Tools Nitrogen (N2) Charge Kit - CH180	31
9.0 Hoses - CH180	32
10.0 Mounting Lubricator - Large Series - CH180	33
11.0 Breaker Mounted Lubricator - CH180	34

1.0 Equipment Identification - CH180

1.1 Location of the Serial Number Decal

Models: CH180



The Serial Equipment Identification Decal is affixed to the side of the housing box. It provides the following information:

- Serial Number:
- Model Number:
- Weight:
- Operating Pressure:
- Oil Flow:
- Carrier Relief Pressure:
- Nitrogen:

****Note: Prior to ordering parts, it's important to confirm your model and serial number**

CONNECT™ WORK TOOLS			
Serial Number:	<input type="text"/>		
Model Number:	<input type="text"/>		
Weight:	<input type="text"/>	kg	<input type="text"/>
Operating Pressure:	<input type="text"/>	bar	<input type="text"/>
Oil Flow:	<input type="text"/>	l/min	<input type="text"/>
Carrier Relief Pressure:	<input type="text"/>	bar	<input type="text"/>
Nitrogen:	<input type="text"/>	bar	<input type="text"/>

1.2 Owner's Record of the Equipment

Record the Model and Serial Number from the Serial Equipment Identification Tag to the space provided below. Indicate the date in which the Connect Work Tools equipment was placed into service.

Model CH140: CH180

Serial Number: _____

In Service Date: _____

Your Connect Work Tools representative requires this information to better assist you with questions regarding parts, warranty, operation, maintenance, or repair.

Your equipment must be registered by your local Distributor at the time of sale.

Product Registration Date: _____

2.0 Decals - CH180

All decals pictured are included in decal kits (with exception of No. 10)

2.1 Standard Decals



1. Part Number 16-00076 - Decal Warning Dust



2. Part Number 16-00077 - Decal Warning Flying Objects



3. Part Number 16-00078 - Decal Warning Read Manual



4. Part Number 16-00079 - Decal Warning Noise



5. Part Number 16-00080 - Decal Grease Point



6. Part Number 16-00081 - Decal Warning Safe Distance



7. Part Number CHE00135 - Decal CH180



8. Part Number CHE00385 - Decal Connect Logo CH180



9. Part Number CHE00127 - Decal SN Plate (Not included in Decal Kit)



10. Part Number 16-00082 - Decal Lift Point



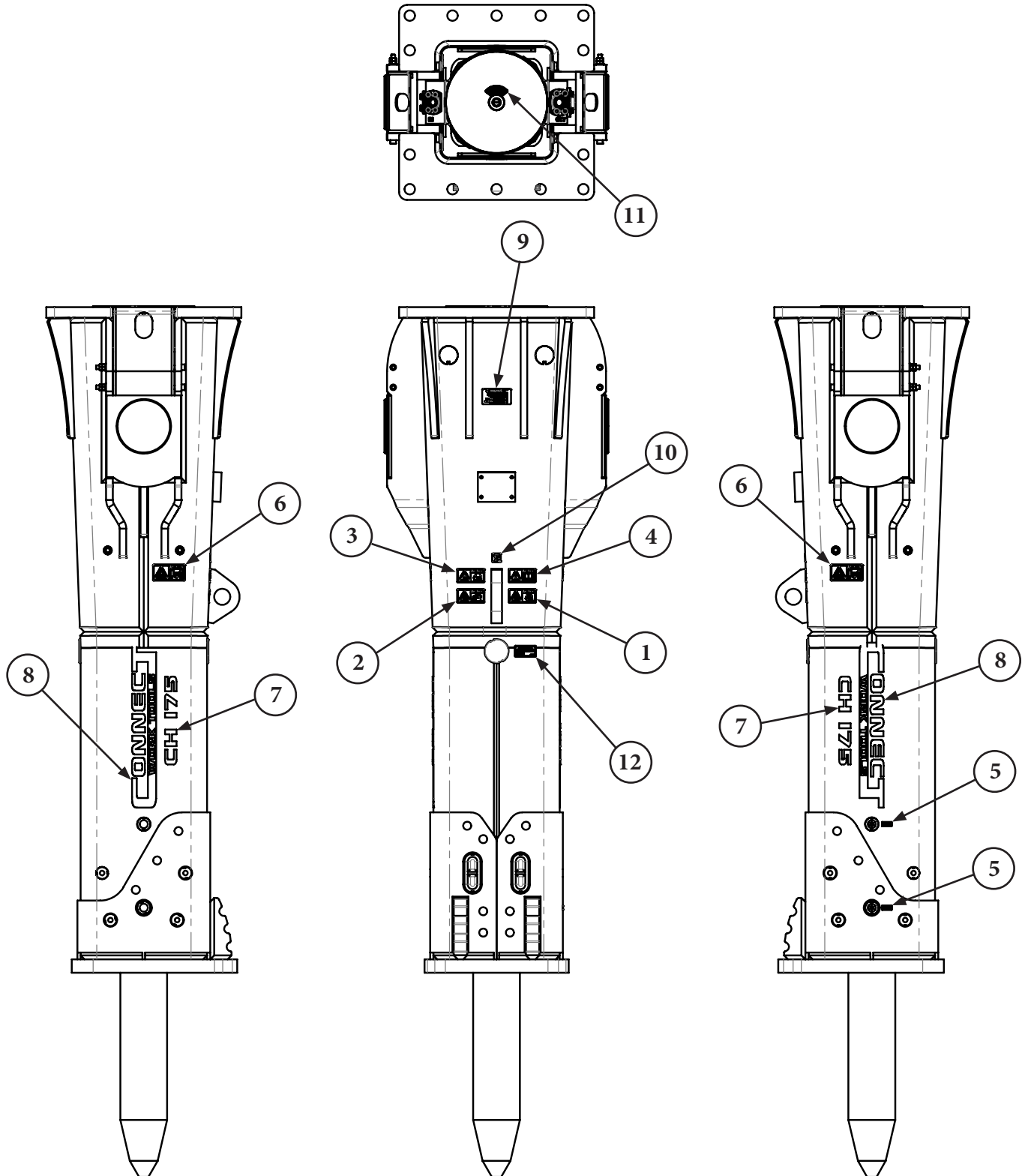
11. Part Number CHE00111 - Decal Warning Nitrogen (N²)



12. Part Number CHE00596 - Decal Warning Anti-Blank Fire (CH100 Model only)

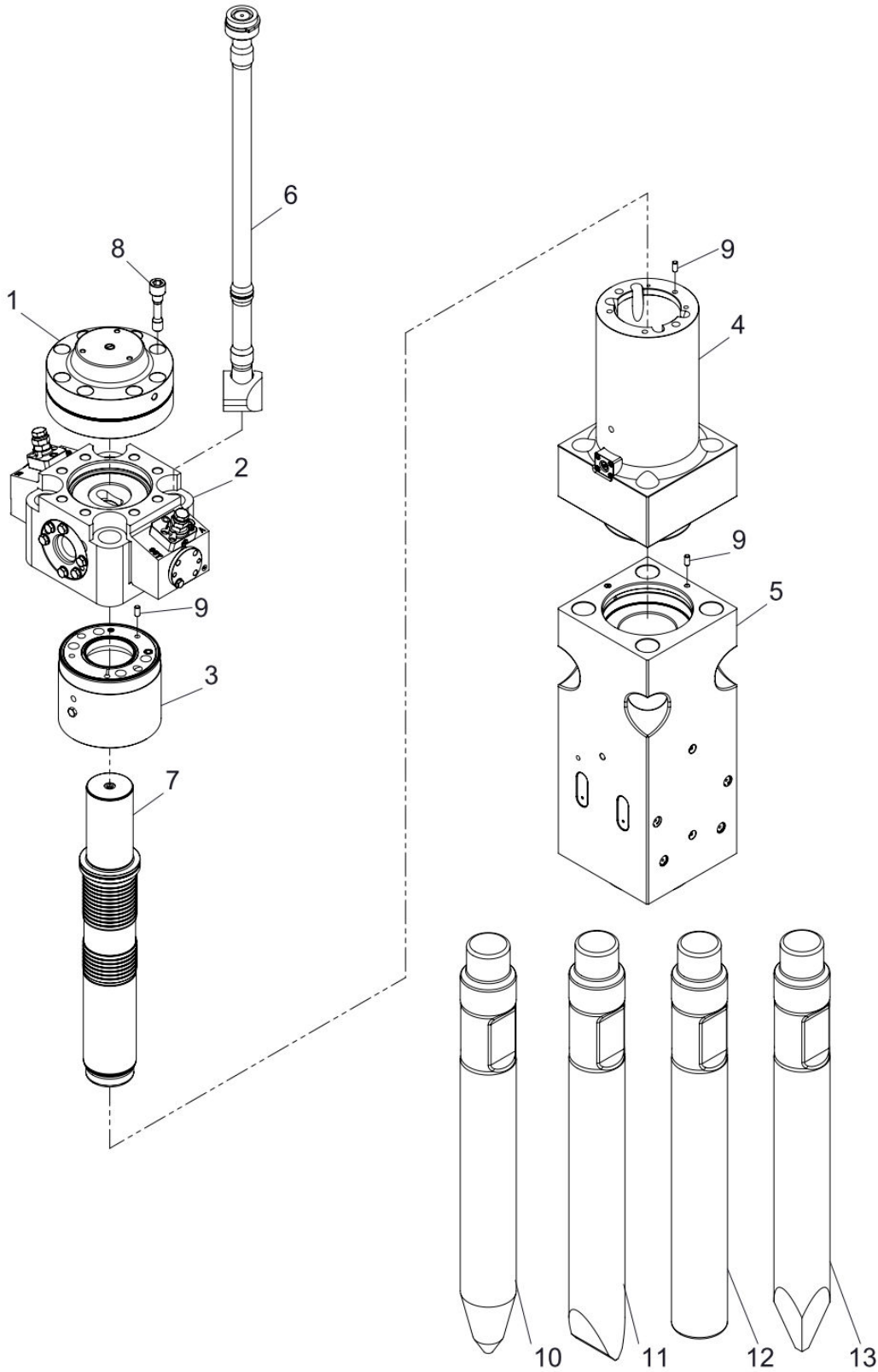
2.0 Decals - CH180

2.2 Breaker CH180 Side-Plated Decal Placement



3.0 Hammer - CH180

3-1. Hammer

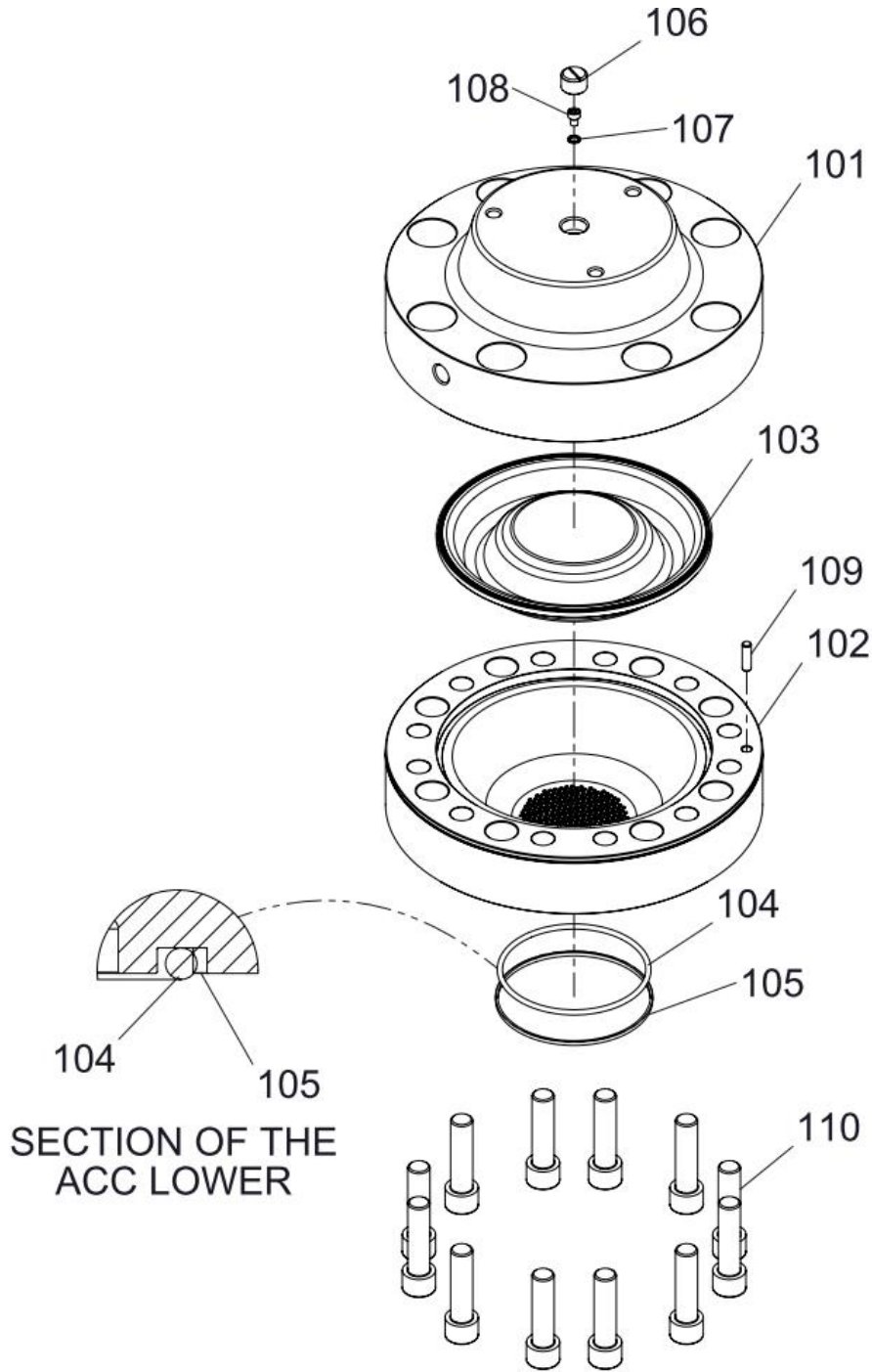


3.0 Hammer - CH180

NO.	PART NO.	PART NAME	QTY	REMARK
	CHD0552	HAMMER TOTAL ASSY	1	
1	CHB600601A	ACCUMULATOR SUB ASSY	1	
2	CHB600602B	VALVE HOUSING SUB ASSY	1	
3	CHB6006250	SEAL HOUSING SUB ASSY	1	
4	CHB600604B	CYLINDER SUB ASSY	1	
5	CHB600605A	FRONT HEAD SUB ASSY	1	
6	CHB6006130K	SIDE ROD SUB ASSY	4	
7	CHB6006050	PISTON	1	
8	CHB4006100	ACC. COVE BOLT	8	
9	CHB4006310	GUIDE PIN	3	
10	CHB6006380	TOOL-CONE	1	OPTION
11	CHB6006390	TOOL-CHISEL	1	OPTION
12	CHB6006400	TOOL-BLUNT	1	OPTION
13	CHB6006620	TOOL-MOIL	1	OPTION
	CHB600810A	SEAL KIT		

3.0 Hammer - CH180

3-2. Accumulator Sub Assembly

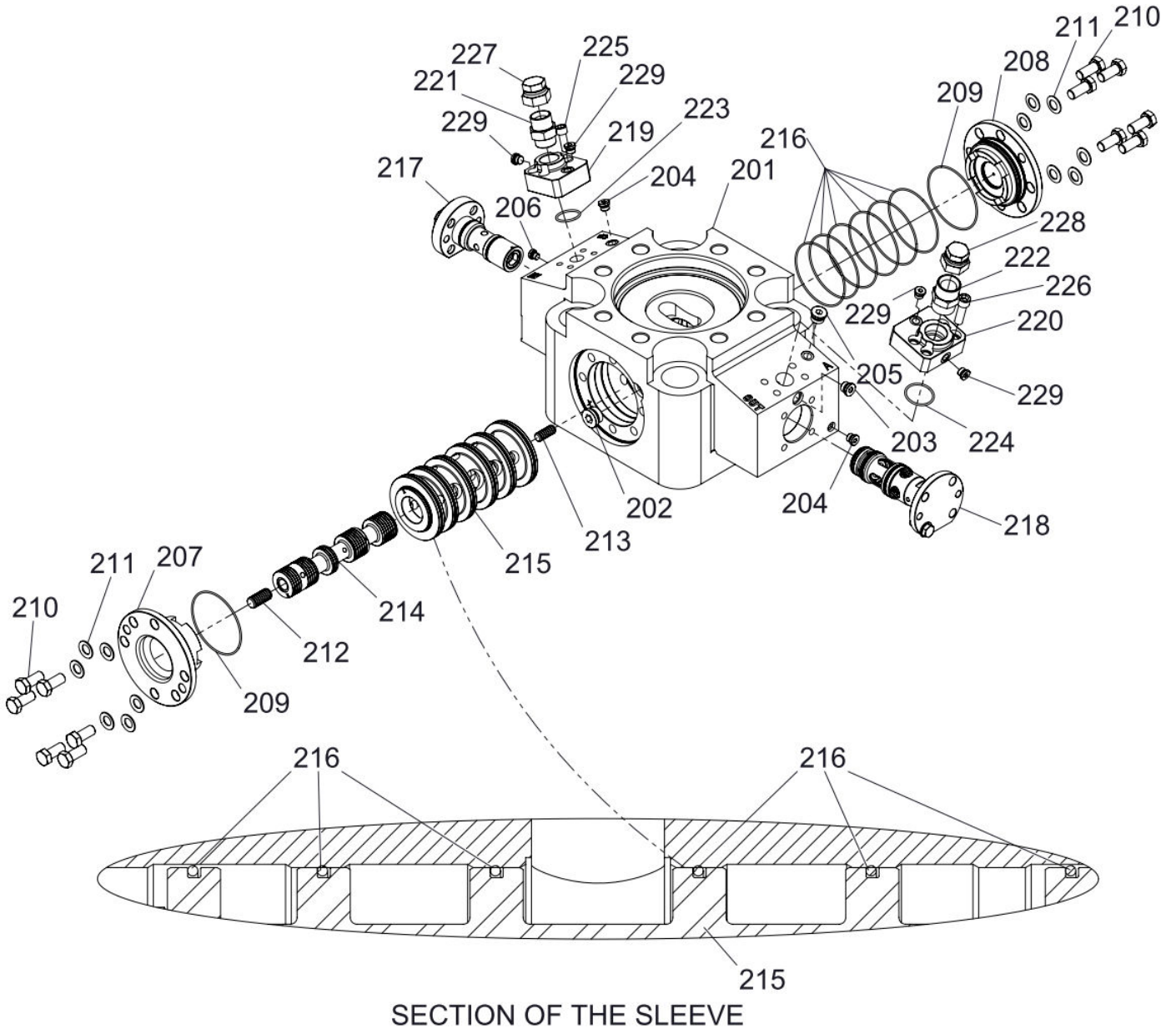


3.0 Hammer - CH180

NO.	PART NO.	PART NAME	QTY	REMARK
	CHB600601A	ACCUMULATOR SUB ASSY	1	
101	CHB6006020	ACC. COVER	1	
102	CHB600603A	ACCUMULATOR BOTTOM	1	
103	CHB600704D	MEMBRANE	1	
104	CHB6007280	O-RING	1	PART OF SEAL KIT
105	CHB6007100	BACK UP RING	1	PART OF SEAL KIT
106	CHB4007010	ACC. CAP	1	
107	CHB4007020	USIT RING	1	PART OF SEAL KIT
108	CHB4006420	ACC.GAS BOLT	1	
109	CHB4006370	GUIDE PIN	1	
110	CHSB2420090	SOCKET BOLT	12	

3.0 Hammer - CH180

3-3. Valve Housing Sub Assembly

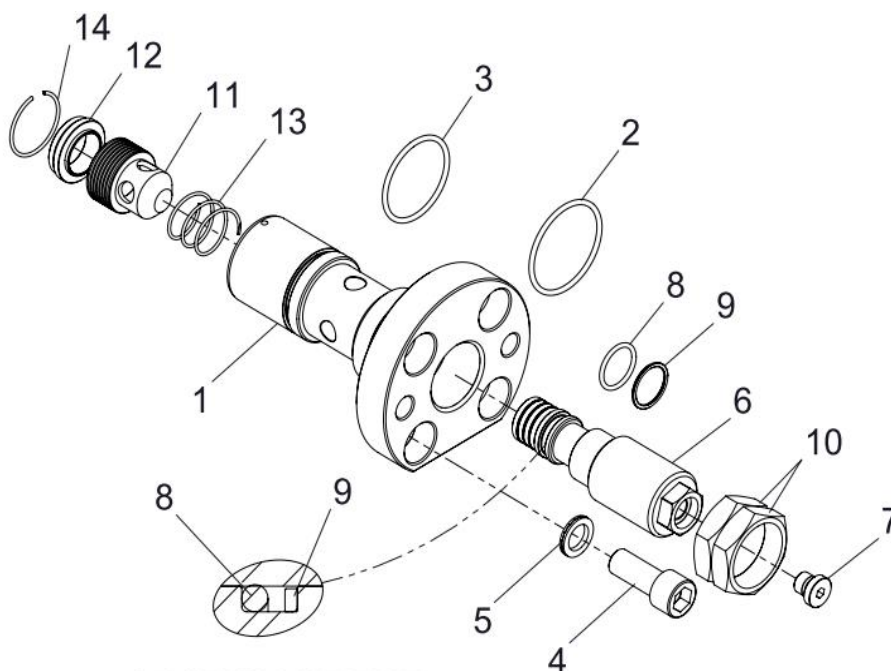


3.0 Hammer - CH180

NO.	PART NO.	PART NAME	QTY	REMARK
	CHB600602B	VALVE HOUSING SUB ASSY	1	
201	CHB6006900	VALVE HOUSING	1	
202	CHB4006520	SOCKET PLUG	1	
203	CHB4006530	SOCKET PLUG	1	
204	CHB4006910	SOCKET PLUG	2	
205	CHB2506520	SOCKET PLUG	1	
206	CHB4006450	SOCKET PLUG	1	
207	CHB6006150	SLEEVE COVER 1	1	
208	CHB6006240	SLEEVE COVER 2	1	
209	CHB6007080	O-RING	2	PART OF SEAL KIT
210	CHHB2015045	HEX. BOLT	12	
211	CHCW200000	CONICAL WASHER	12	
212	CHB4006250	SPOOL 1	1	
213	CHB4006160	SPOOL 2	1	
214	CHB6006170	MAIN SPOOL	1	
215	CHB6006180	SLEEVE	1	
216	CHB6007320	O-RING	6	PART OF SEAL KIT
217	CHB280606A	NEEDLE VALVE SUB ASSY	1	
218	CHB500606A	OPER VALVE SUB ASSY	1	
219	CHB5005220	FLANGE	1	OPTION
220	CHB6005220	FLANGE	1	OPTION
221	CHAPT20MJS20M	ADAPTER	1	PF1-1/4"-OPTION
222	CHAPT24MJS24M	ADAPTER	1	PF1-1/2"-OPTION
223	CHB4007060	O-RING	1	OPTION
224	CHB6007330	O-RING	1	OPTION
225	CHSB1420040	SOCKET BOLT	4	OPTION
226	CHSB1620055	SOCKET BOLT	4	OPTION
227	CHCJS20F	UNION CAP	1	PF1-1/4"-OPTION
228	CHCJS24F	UNION CAP	1	PF1-1/2"-OPTION
229	CHB4006910	SOCKET PLUG	4	OPTION

3.0 Hammer - CH180

4-3-1. Check Valve Sub Assembly

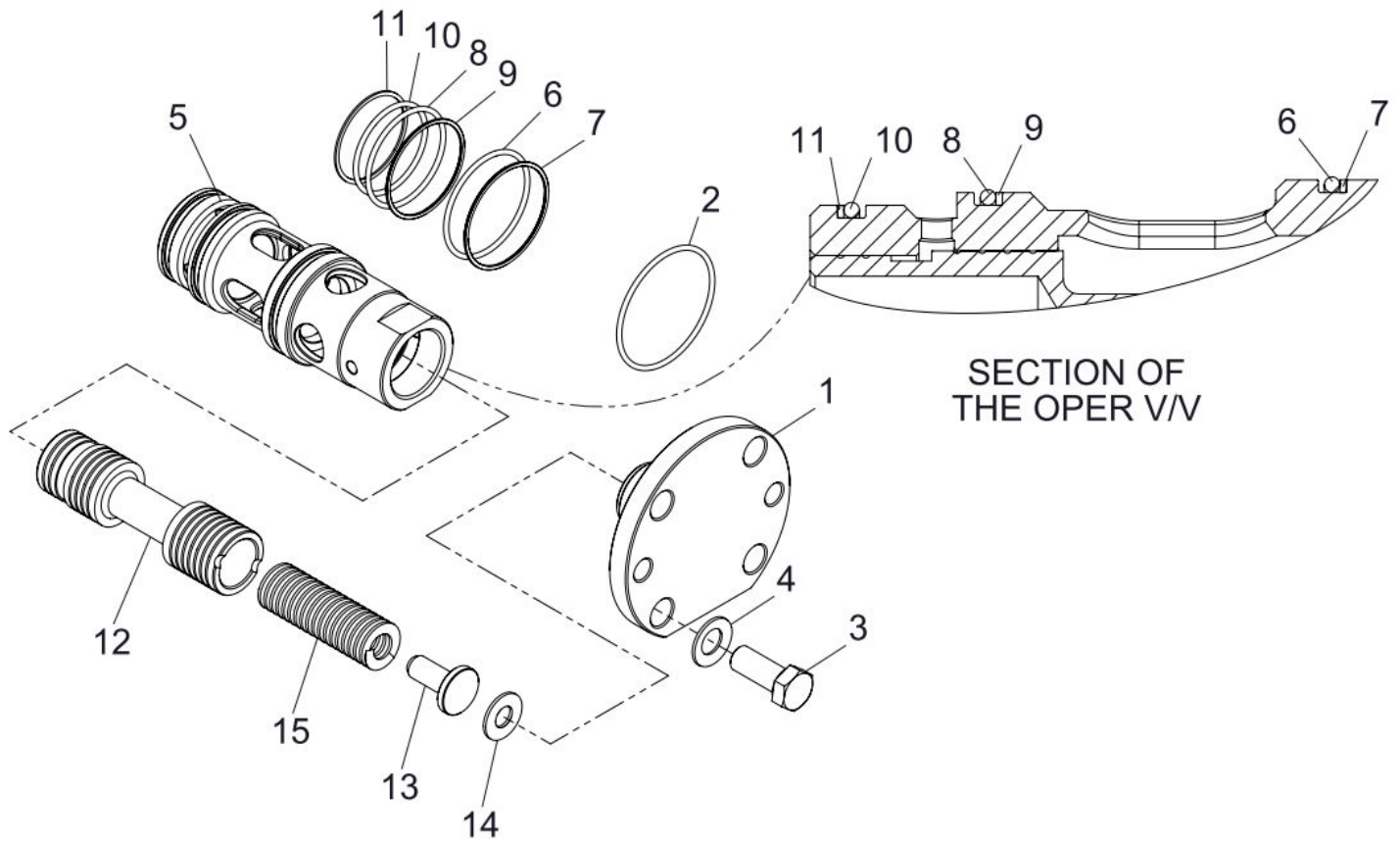


SECTION OF THE
NEEDLE V/V SPOOL

NO.	PART NO.	PART NAME	QTY	REMARK
	CHB280606A	NEEDLE VALVE SUB ASSY	1	
1	CHB280606A	NEEDLE VALVE HOUSING	1	
2	CHB4007190	O-RING	1	PART OF SEAL KIT
3	CHB2507200	O-RING	1	PART OF SEAL KIT
4	CHSB1620040	SOCKET BOLT	4	
5	CHNDLW1600	NORD LOCK WASHER	4	
6	CHB6006920	NEEDLE VALVE SPOOL	1	
7	CHB4006450	SOCKET PLUG	1	
8	CHB4007260	O-RING	1	PART OF SEAL KIT
9	CHB3206940	BACKUP RING	1	PART OF SEAL KIT
10	CHB6006930	NUT	2	
11	CHB4006220	CHECK VALVE SPOOL	1	
12	CHB4006230	CHECK V/V SPRING GUIDE	1	
13	CHB4006480	CHECK VALVE SPRING	1	
14	CHB4006490	LOCK RING	1	

3.0 Hammer - CH180

3-3-2. Oper. Valve Sub Assembly

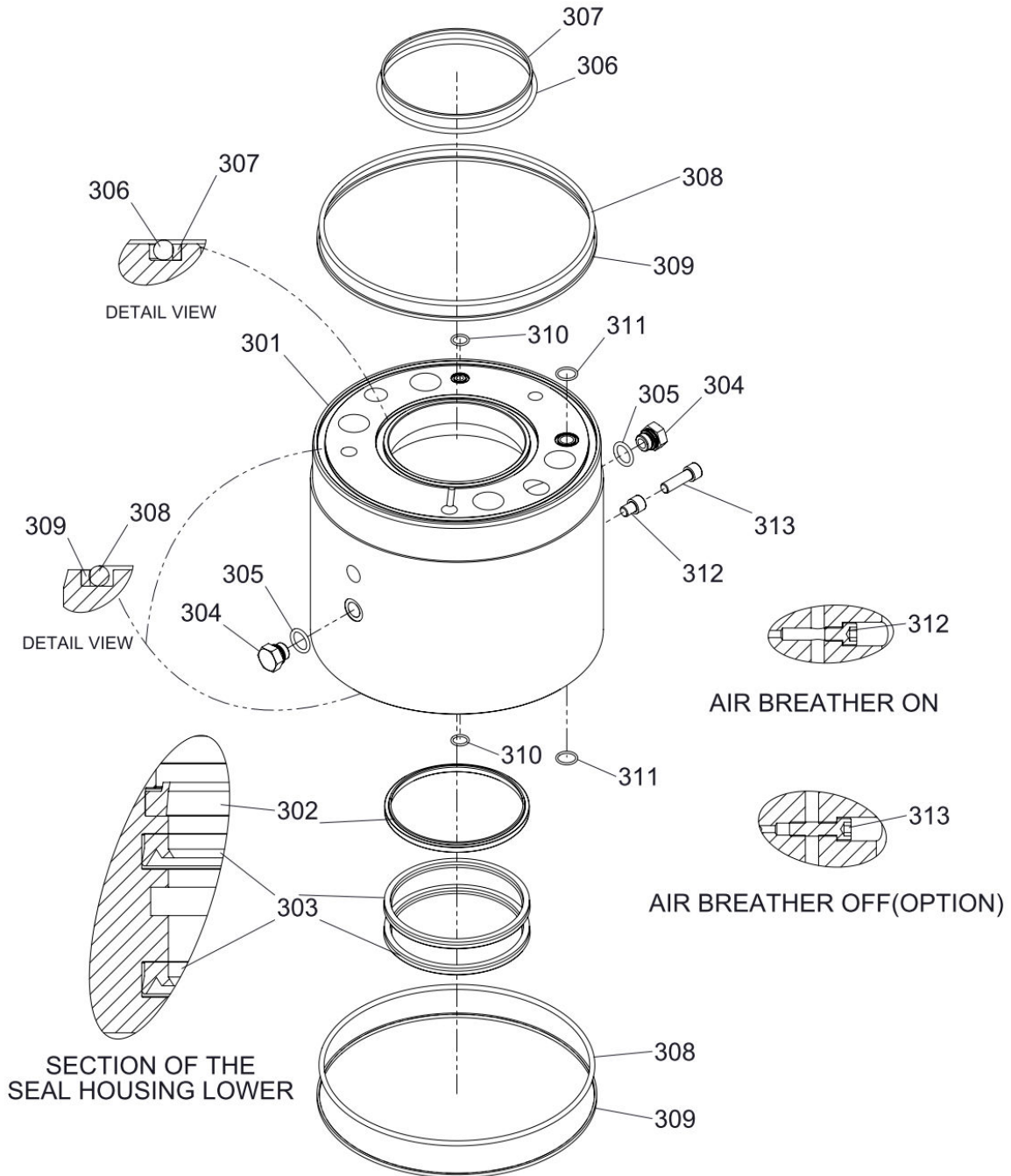


3.0 Hammer - CH180

NO.	PART NO.	PART NAME	QTY	REMARK
	CHB500606A	OPER. VALVE SUB ASSY	1	
1	CHB4006300	OPERATING VALVE COVER	1	
2	CHB4007240	O-RING	1	PART OF SEAL KIT
3	CHHB1620040	HEX. BOLT	4	
4	CHCW160000	CONICAL WASHER	4	
5	CHB4006260	OPERATING VALVE GUIDE	1	
6	CHB4007220	O-RING	1	PART OF SEAL KIT
7	CHB6007370	BACK UP RING	1	PART OF SEAL KIT
8	CHB4007200	O-RING	1	PART OF SEAL KIT
9	CHB6007360	BACK UP RING	1	PART OF SEAL KIT
10	CHB4007190	O-RING	1	PART OF SEAL KIT
11	CHB6007350	BACK UP RING	1	PART OF SEAL KIT
12	CHB4006270	OPER. VALVE SPOOL	1	
13	CHB4006280	OPER. VALVE SPRING GUIDE	1	
14	CHB4006440	SHIM PLATE	1	
15	CHB4006890	OPER. VALVE SPRING	1	

3.0 Hammer - CH180

3-4 Seal Housing Sub Assembly

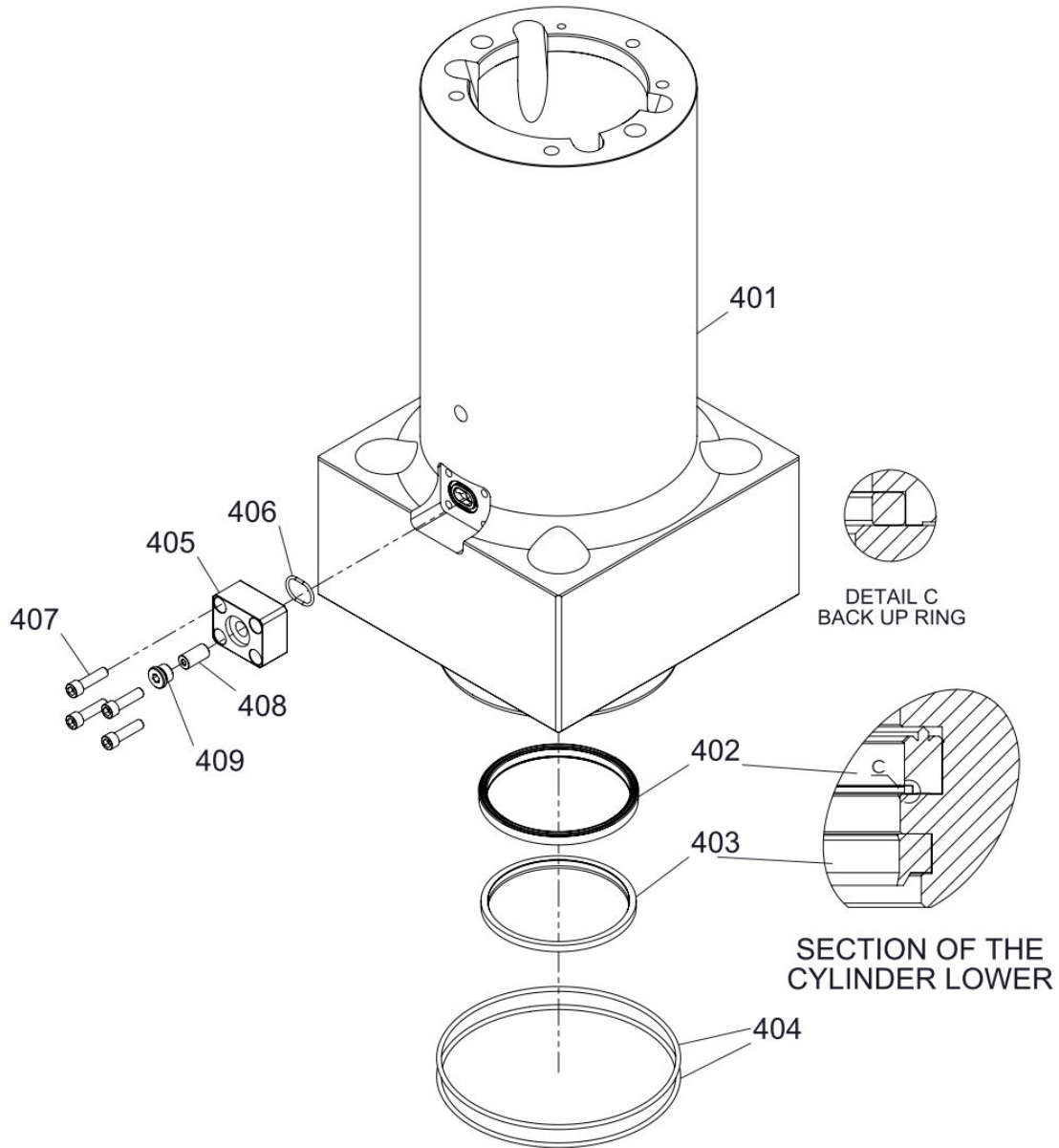


3.0 Hammer - CH180

NO.	PART NO.	PART NAME	QTY	REMARK
	CHB6006250	SEAL HOUSING SUB ASSY	1	
301	CHB6006040	SEAL HOUSING	1	
302	CHB6007140	WIPER	1	PART OF SEAL KIT
303	CHB6007150	SEAL	2	PART OF SEAL KIT
304	CHB2006870	AIR VENT PLUG	2	
305	CHB0407150	O-RING	2	PART OF SEAL KIT
306	CHB6007090	O-RING	1	PART OF SEAL KIT
307	CHB6007100	BACK-UP RING	1	PART OF SEAL KIT
308	CHB6007110	O-RING	2	PART OF SEAL KIT
309	CHB6007120	BACK-UP RING	2	PART OF SEAL KIT
310	CHB4007310	O-RING	2	PART OF SEAL KIT
311	CHB7507290	O-RING	2	PART OF SEAL KIT
312	CHSB1217015	SOCKET BOLT	1	
313	CHSB1217040	SOCKET BOLT	1	OPTION

3.0 Hammer - CH180

3-5. Cylinder Sub Assembly

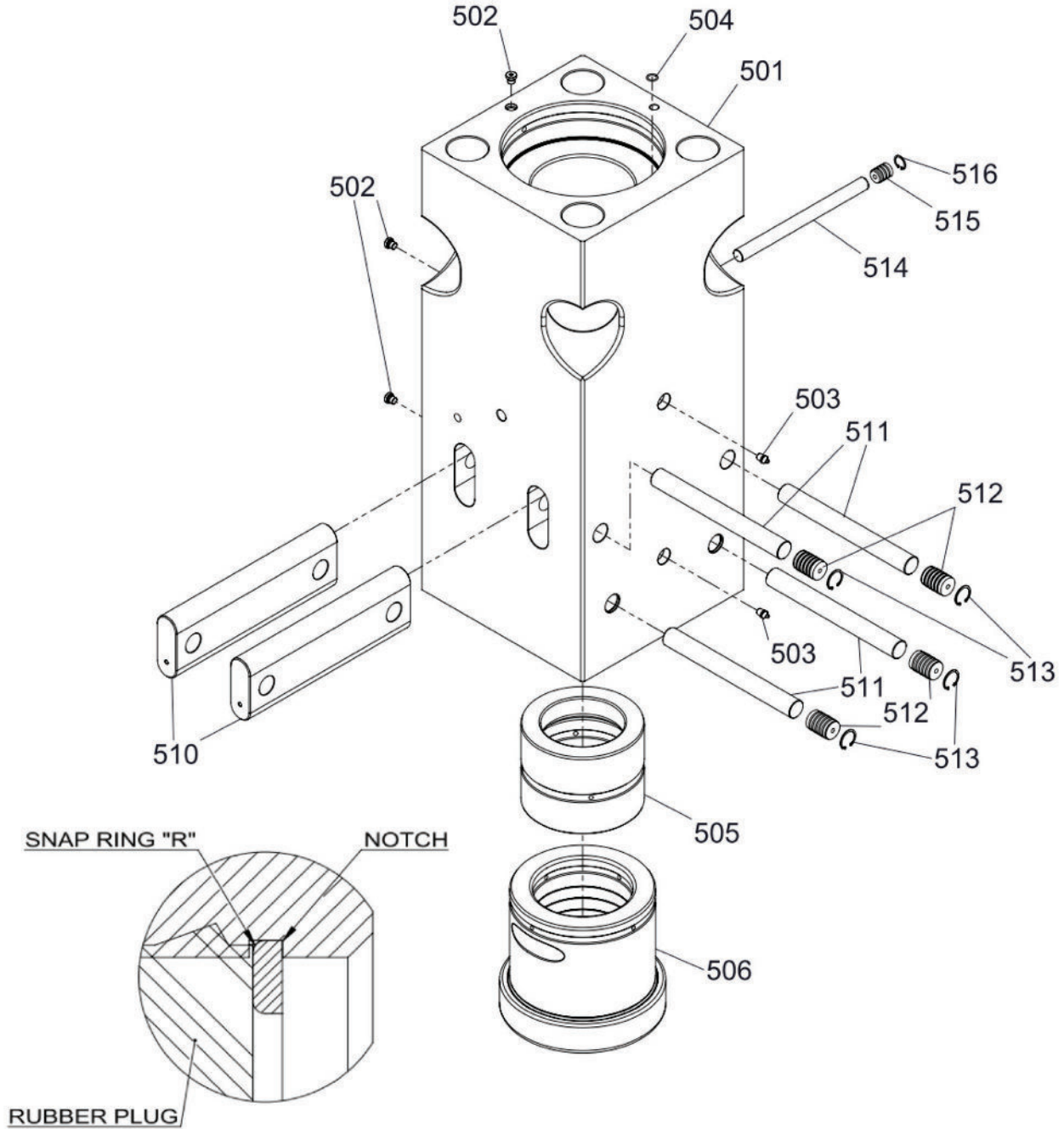


3.0 Hammer - CH180

NO.	PART NO.	PART NAME	QTY	REMARK
	CHB600604B	CYLINDER SUB ASSY	1	
401	CHB6006800	CYLINDER	1	
402	CHB6007380	SEAL	1	PART OF SEAL KIT
403	CHB6007390	WIPER	1	PART OF SEAL KIT
404	CHB6007130	O-RING	2	PART OF SEAL KIT
405	CHB2806360	STOP VALVE	1	
406	CHA3206550	O-RING	1	PART OF SEAL KIT
407	CHSB1217045	SOCKET BOLT	4	
408	CHB1406790	ASO PIN	1	
409	CHA1206780	METRIC HOLLOW HEX PLUG	1	

3.0 Hammer - CH180

3-6. Front Head Sub Assembly

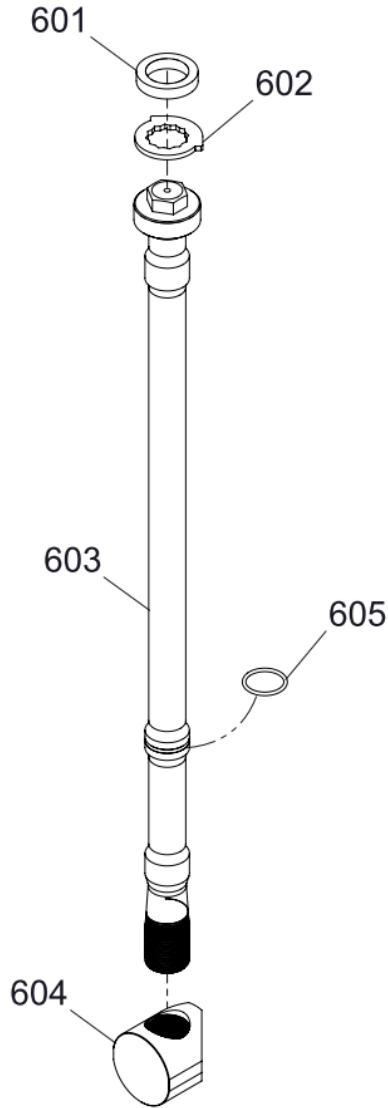


4.0 Hammer - CH180

NO.	PART NO.	PART NAME	QTY	REMARK
	CHB600605A	FRONT HEAD SUB ASSY	1	
501	CHB6006090	FRONT HEAD	1	
502	CHB4006450	SOCKET PLUG	3	
503	CHB4006560	GREASE NIPPLE	2	
504	CHB4007310	O-RING	1	
505	CHB6006080	UPPER BUSHING	1	
506	CHB6006360	TOOL BUSHING	1	
507	CHB6006440	TOOL BUSHING	1	OPTION
508	CHB6006450	TOOL INNER BUSHING	1	OPTION
509	CHB6007340	SEAL	1	OPTION
510	CHB6006340	TOOL PIN	2	
511	CHB6006350	BUSHING PIN	4	
512	CHB4006580	RUBBER PLUG	4	
513	CHB4006570	SNAP RING	4	
514	CHB6006630	BUSHING PIN	1	
515	CHB1806580	RUBBER PLUG	1	
516	CHB1806570	SNAP RING	1	

3.0 Hammer - CH180

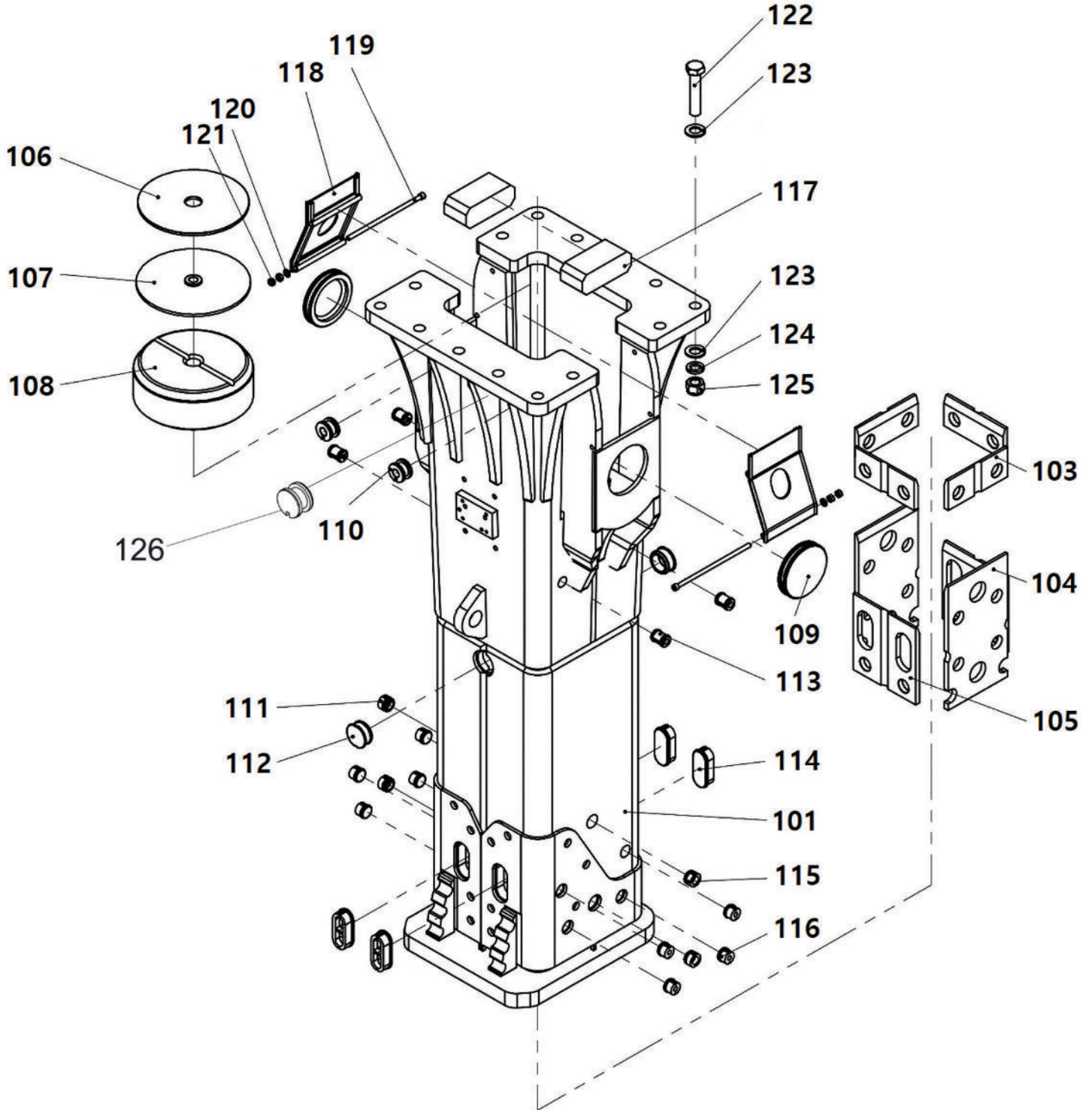
3-7. Side Rod Sub Assembly



NO.	PART NO.	PART NAME	QTY	REMARK
	CHB6006130K	SIDE ROD SUB ASSY	4	
601	CHB4007030	RUBBER RING	1	
602	CHB4006110	LOCK WASHER	1	
603	CHB6006130	SIDE ROD	1	
604	CHB6006140	SIDE ROD NUT	1	PART OF SEAL KIT
605	CHB4007250	O-RING	1	

4.0 Housing - CH180

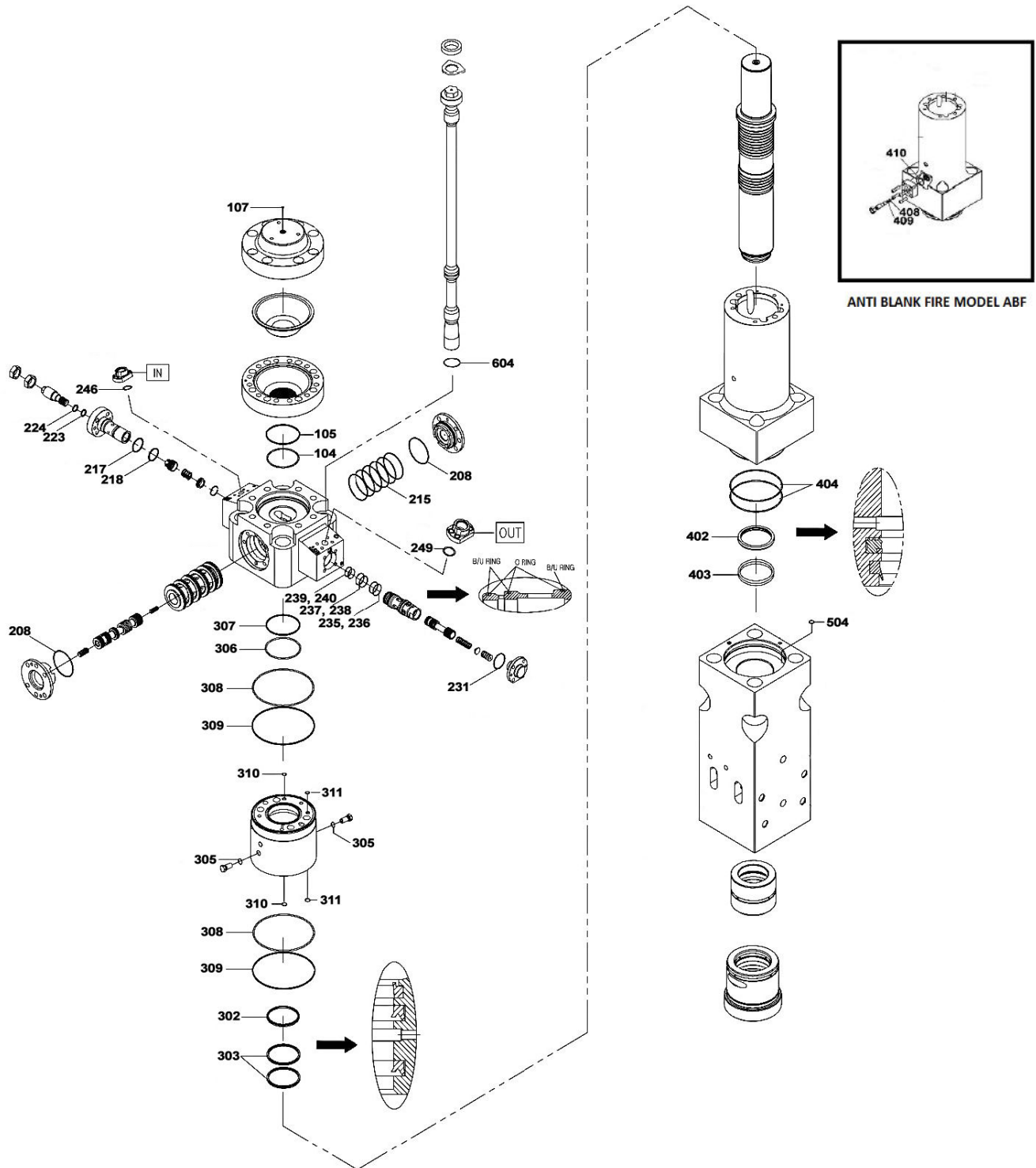
4-1. Box Housing



4.0 Housing - CH180

NO.	PART NO.	PART NAME	QTY	REMARK
	CHB5005300	HOUSING TOTAL ASSY	1	
101	CHB5005310	HOUSING WELD ASSY	1	
103	CHB6002020	WEARING PLATE	4	
104	CHB6002030	WEARING PLATE	2	
105	CHB6002040	WEARING PLATE	2	
106	CHB4000060	TOP WEARING PLATE	1	
107	CHB4000070	TOP PLATE ASSY	1	
108	CHB6000080	TOP BUFFER	1	
109	CHB6000090	RUBBER	2	
110	CHB4000100	RUBBER PLUG	2	
111	CHB4000110	RUBBER PLUG	2	
112	CHB4000120	RUBBER PLUG	2	
113	CHB400W27A	RUBBER PLUG	4	
114	CHB3200040	RUBBER PLUG	4	
115	CHB3200050	RUBBER GREASE	2	
116	CHB6000140	RUBBER PLUG	4	
117	CHB1601460	RUBBER PLUG	2	
118	CHB6000150	PORT COVER	2	
119	CHSB1420350	SOCKET BOLT	4	
120	CHPW140000	PLAIN WASHER	4	
121	CHHN142000	HEX. NUT	8	
122	CHHB3640170	HEX HEAD BOLT	14	
123	CHPW360000	PLAIN WASHER	28	
124	CHSW360000	SPRING WASHER	14	
125	CHNN364000	NYLON NUT	14	
126	CHB400W270	RUBBER PLUG	2	

5.0 Seal Kits - CH180

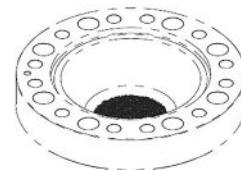
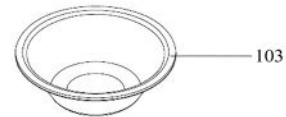
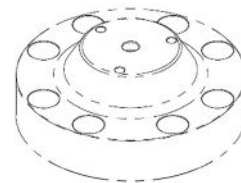
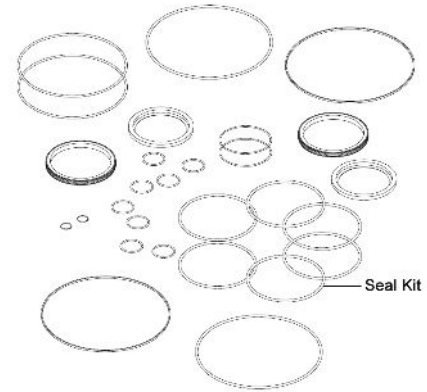
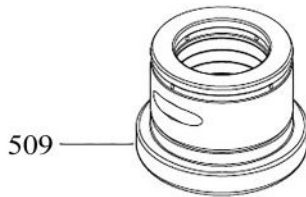
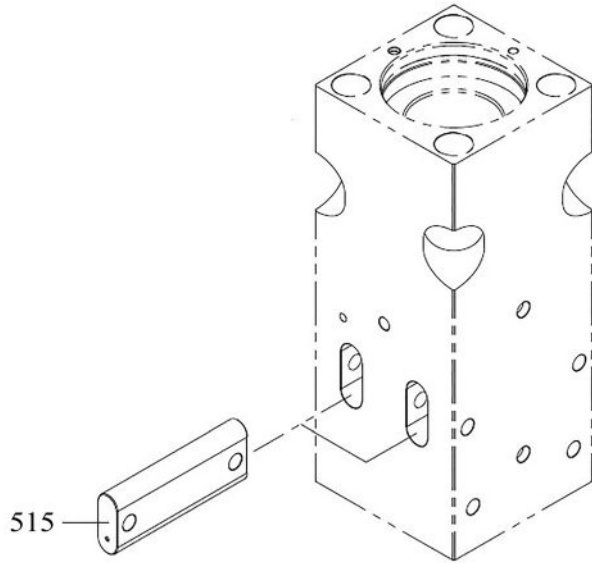


5.0 Seal Kits - CH180

ITEM	ILLUSTRATION	QTY	DESCRIPTION	PART NUMBER	ASSEMBLY AREA
		1	SEAL KIT	CHB600810AHX	
1	246	1	O - RING	CHB4007060	FLANGE
2	208	2	O - RING	CHB6007080	SLEEVE COVER 1,2
3	306	1	O - RING	CHB6007090	SEAL HOUSING
4	307	2	BACK UP RING	CHB6007100	ACC. BOTTOM, SEAL HOUSING
5	308	2	O - RING	CHB6007110	SEAL HOUSING
6	309	2	BACK UP RING	CHB6007120	SEAL HOUSING
7	404	2	O - RING	CHB6007130	CYLINDER
8	302	1	WIPER	CHB6007140	SEAL HOUSING
9	303	2	SEAL	CHB6007150	SEAL HOUSING
10	402	1	SEAL	CHB6007380	CYLINDER
11	403	1	WIPER	CHB6007390	CYLINDER
12	240	1	BACK UP RING	CHB6007350	OPER. V/V GUIDE
13	239/217	2	O - RING	CHB4007190	OPER. V/V GUIDE, Needle V/V
14	237	1	O - RING	CHB4007200	OPER. V/V GUIDE
15	238	1	BACK UP RING	CHB6007360	OPER. V/V GUIDE
16	235	1	O - RING	CHB4007220	OPER. V/V GUIDE
17	236	1	BACK UP RING	CHB6007370	OPER. V/V GUIDE
18	231	1	O - RING	CHB4007240	OPER. V/V COVER
19	605	4	O - RING	CHB4007250	SIDE ROD
20	107	1	USIT RING	CHB4007020	ACC. COVER
21	104	1	O - RING	CHB6007280	ACC. BOTTOM
22	105	1	O - RING	CHB4007270	NEEDLE V/V
23	310	2	O - RING	CHB4007310	SEAL HOUSING
24	215	6	O - RING	CHB6007320	SLEEVE
25	249	1	O - RING	CHB6007330	FLANGE
26	223	1	O - RING	CHB4007260	NEEDLE V/V
27	224	1	BACK UP RING	CHB3206940	NEEDLE V/V
28	305	2	O - RING	CHB0407150	AIR VENT PLUG
29	311& 504	3	O - RING	CHB7507290	SEAL HOUSING/FRONT HEAD
30	408	1	O - RING	CHA3206550	CYLINDER / STOP VALVE
31	409	1	O - RING	CHB1807310	CYLINDER / ADJUST BOLT
32	410	1	BACK UP RING	CHA3007160	CYLINDER / ADJUST BOLT

6.0 Rebuild Kits - CH180

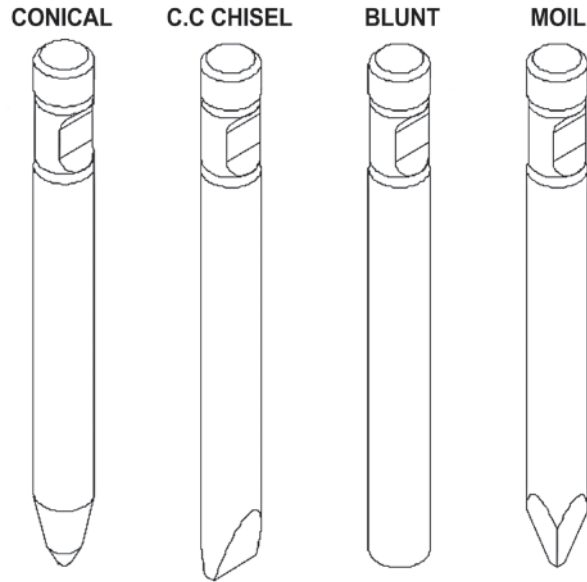
6.1 Rebuild Kits



REBUILD KIT - CH180			
ITEM	QTY	DESCRIPTION	PART NUMBER
	1	KIT	CHTKD055EXO
515	2	TOOL PIN	CHB5006340
509	1	TOOL BUSHING	CHB6006360
103	1	MEMBRANE	CHB300704A
	1	SEAL KIT	CHB600810AHX

7.0 Tool Bits - CH180

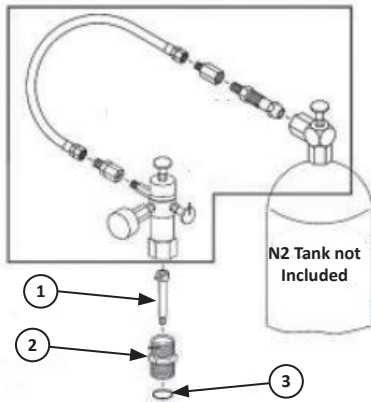
7.1 Tool Bits



TOOL BITS - CH180

TOOL TYPE	PART NUMBER
CONICAL	CHB6006380
CHISEL	CHB6006390
BLUNT	CHB6006400
MOIL	CHB6006620

8.0 Tools Nitrogen (N²) Charge Kit - CH180



NITROGEN CHARGE KIT
Part Number: CHT0006

TOOLING NITROGEN (N₂) CHARGE KIT

ITEM	PART NUMBER	DESCRIPTION	QTY
	CHTBMS0001	N2 CHARGE KIT	1
1	CHBM1C60052	CHARGE TOOL SOCKET HEAD BOLT	1
2	CH1G020026	CHARGE TOOL ADAPTER	1
3	CGA2507380	O-RING	1

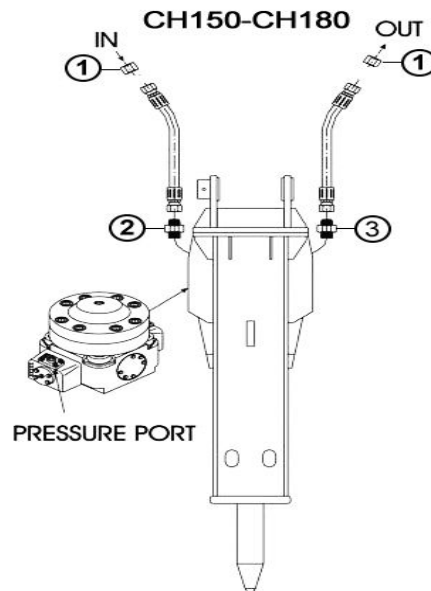
9.0 Hoses - CH180

MODEL	HOSE CHART - CH180				
	PART NUMBER	LENGTH	DIA. / PSI	FITTING 1	FITTING 2
CH180	40-02172	102"	1.25"/3000	20FJSW	20FJSW

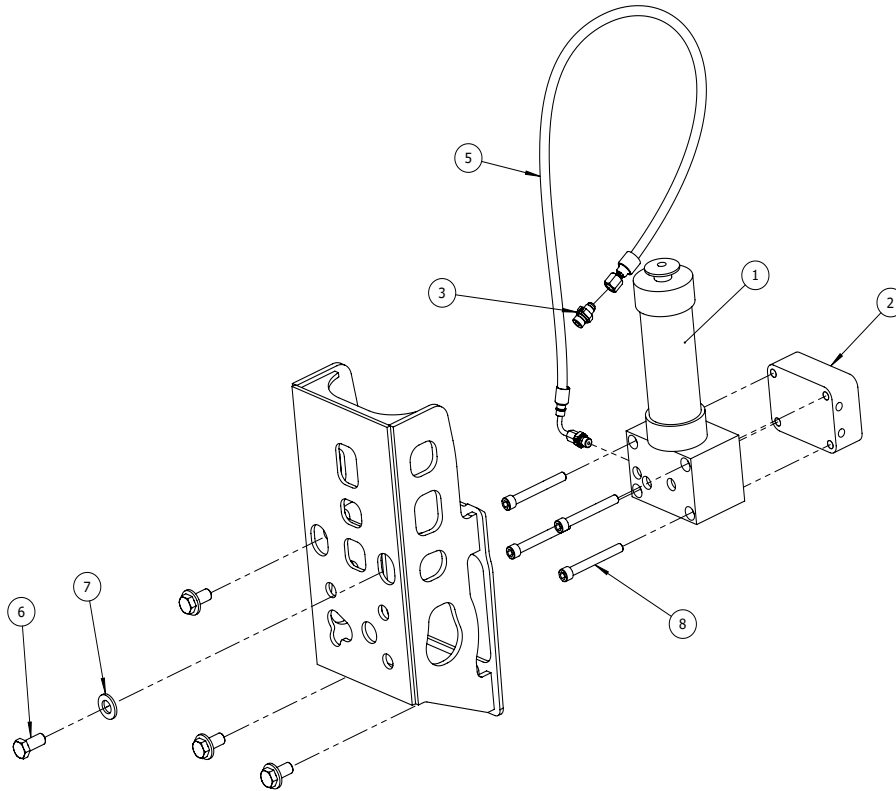
MODEL	HOSE PLUGS - CH180		
	PART NUMBER	ITEM	DESCRIPTION
CH180	CHE00200	1	Plug 20 JIC 37 Degree

MODEL	HOSE ADAPTORS - INLET BREAKER PORT				
	ADAPTOR PN #	ITEM	FLANGE	INLET ADAPTOR	HOSE / CARRIER
CH180	CHE00204	2	CHB3006660	-20 SAE ORB	-20 JIC

MODEL	HOSE ADAPTERS - OUTLET BREAKER PORT				
	ADAPTOR PN #	ITEM	FLANGE	OUTLET ADAPTOR	HOSE / CARRIER
CH180	CHE00205	3	CHB600522U	-24 SAE ORB	-20 JIC



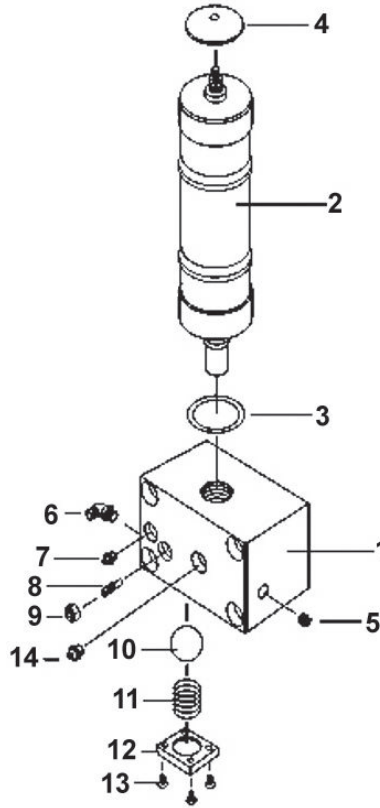
10.0 Mounted Lubricator - Large Series - CH180



MOUNTED LUBRICATOR - CH180

ITEM	QTY	DESCRIPTION	PN#
1	1	AUTO GREASE PUMP(U)/500ML	CHAGRU0500
2	1	GREASE PUMP PLATE BML WELD-ON	CHB2003550
3	2	ADAPTER	CHBHSSG102
4	1	WLDT BML LUBE GUARD	CHE01091
5	1	PLUMBING KIT BML CH110-CH175	CHE01743
6	4	HEX BOLT	CHHB1620035
7	4	WASHER M16 - 25.4 X 3.4 P_	CHPW160000
8	4	SH CS M12 - 1.75 X 100 B_12.9	CHSB1217100

11.0 Breaker Mounted Lubricator - CH180



BREAKER MOUNTED LUBRICATOR

ITEM	PARTS NO.	DESCRIPTION
	CHAGRU0500	PUMP
1	CHHLU-0300	11U-BODY
2	CHHL0101	RECHARGEABLE CARTRIDGE
3	CHHL0041	O-RING
4	CHHL0810	HANDLE
5	CHHL0920	PLUG
6	CHHL0360	ZERK
7	CHHNG18	ZERK -GREASE
8	CHHL0240	ADJUSTER
9	CHHNM1201	NUT
10	CHHL0350	BALL
11	CHHL0220	SPRING
12	CHHL0330	COVER
13	CHJBM0615	BOLT
14	CHHNG18	ZERK-GREASE

CONNECTTM
WORK TOOLS

920.238.6657

www.connectworktools.com

