
CONNECTTM
WORK TOOLS



Large Series Breaker

Model: CH165

Parts Manual CH-Series



Part #CHE02412

Connect Work Tools - www.connectworktools.com - 920.238.6657

Contact Information - CH165



Connect Work Tools
155 Main Street
Superior, WI 54880

E-mail: info@connectworktools.com
Main Phone: 920-238-6657
Fax: 715-395-3703

Contact your Connect Work Tools Representative or the Connect Work Tools Parts Department for replacement manuals.
Inquiries regarding the content of this manual must include the release date shown below.

Information in this manual is subject to change without advance notice.

Table 1.1 About this manual

| | |
|----------------------|--------------------|
| Document ID No. | CHE02412 |
| Type | Parts |
| Release Date | February 2025 |
| Product Name | Hydraulic Breakers |
| Series | CH |
| Applicable Models | CHE |
| Years of Manufacture | 2025 & above |

Table of Contents - CH165

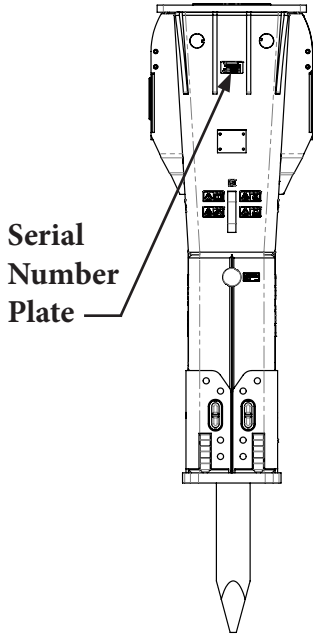
Table of Contents

| | |
|--|----|
| Contact Information - CH165 | 3 |
| 1.0 Equipment Identification - CH165 | |
| 1.1 Location of Serial Number | 5 |
| 1.2 Owner's Record of Equipment | 5 |
| 2.0 Decals - CH165 | |
| 2.1 Standard Decals | 6 |
| 2.2 Breaker CH165 Side-Plated Decal Placement | 7 |
| 3.0 Hammer - CH165 | |
| 3.1 Hammer | 8 |
| 3.2 Accumulator Sub Assembly | 10 |
| 3.3 Valve Housing Sub Assembly | 12 |
| 3.3.1 Check Valve Sub Assembly | 14 |
| 3.3.2 Oper. Valve Sub Assembly | 16 |
| 3.4 Seal Housing Sub Assembly | 18 |
| 3.5 Cylinder Sub Assembly | 20 |
| 3.6 Front Head Sub Assembly | 22 |
| 3.7 Side Rod Sub Assembly | 24 |
| 4.0 Housing - CH165 | |
| 4.1 Box Housing | 26 |
| 5.0 Auto Grease Pump Option - CH165 | |
| 5.1 Refill Up Type | 28 |
| 6.0 Seal Kit - CH165 | 30 |
| 7.0 Rebuild Kits - CH165 | 32 |
| 8.0 Tool Bits - CH165 | 33 |
| 9.0 Tools Nitrogen (N2) Charge Kit - CH165 | 33 |
| 10.0 Hoses - CH165 | 34 |
| 11.0 Mounting Lubricator - Medium Series - CH165 | 35 |
| 12.0 Breaker Mounted Lubricator - CH165 | 36 |
| 13.0 Breaker Carrier Mounted Lubricator | 38 |
| 14.0 Quarry Wear Guard Kit - CH165 | 39 |

1.0 Equipment Identification - CH165

1.1 Location of the Serial Number Decal

Models: CH165



The Serial Equipment Identification Decal is affixed to the side of the housing box. It provides the following information:

- Serial Number:
- Model Number:
- Weight:
- Operating Pressure:
- Oil Flow:
- Carrier Relief Pressure:
- Nitrogen:

****Note: Prior to ordering parts, it's important to confirm your model and serial number**

| | | | |
|--------------------------------|-------|--|-----|
| CONNECT™ WORK TOOLS | | | |
| Serial Number: | | | |
| Model Number: | | | |
| Weight: | kg | | lb |
| Operating Pressure: | bar | | psi |
| Oil Flow: | l/min | | gpm |
| Carrier Relief Pressure: | bar | | psi |
| Nitrogen: | bar | | psi |

1.2 Owner's Record of the Equipment

Record the Model and Serial Number from the Serial Equipment Identification Tag to the space provided below. Indicate the date in which the Connect Work Tools equipment was placed into service.

Model CH165: CH165

Serial Number: _____

In Service Date: _____

Your Connect Work Tools representative requires this information to better assist you with questions regarding parts, warranty, operation, maintenance, or repair.

Your equipment must be registered by your local Distributor at the time of sale.

Product Registration Date: _____

2.0 Decals - CH165

All decals pictured are included in decal kits (with exception of No. 10)

2.1 Standard Decals



1. Part Number 16-00076 - Decal Warning Dust



2. Part Number 16-00077 - Decal Warning Flying Objects



3. Part Number 16-00078 - Decal Warning Read Manual



4. Part Number 16-00079 - Decal Warning Noise



5. Part Number 16-00080 - Decal Grease Point



6. Part Number 16-00081 - Decal Warning Safe Distance



7. Part Number CHE00132 - Decal CH165



8. Part Number CHE00385 - Decal Connect Logo CH165



9. Part Number CHE00127 - Decal SN Plate (Not included in Decal Kit)



10. Part Number 16-00082 - Decal Lift Point



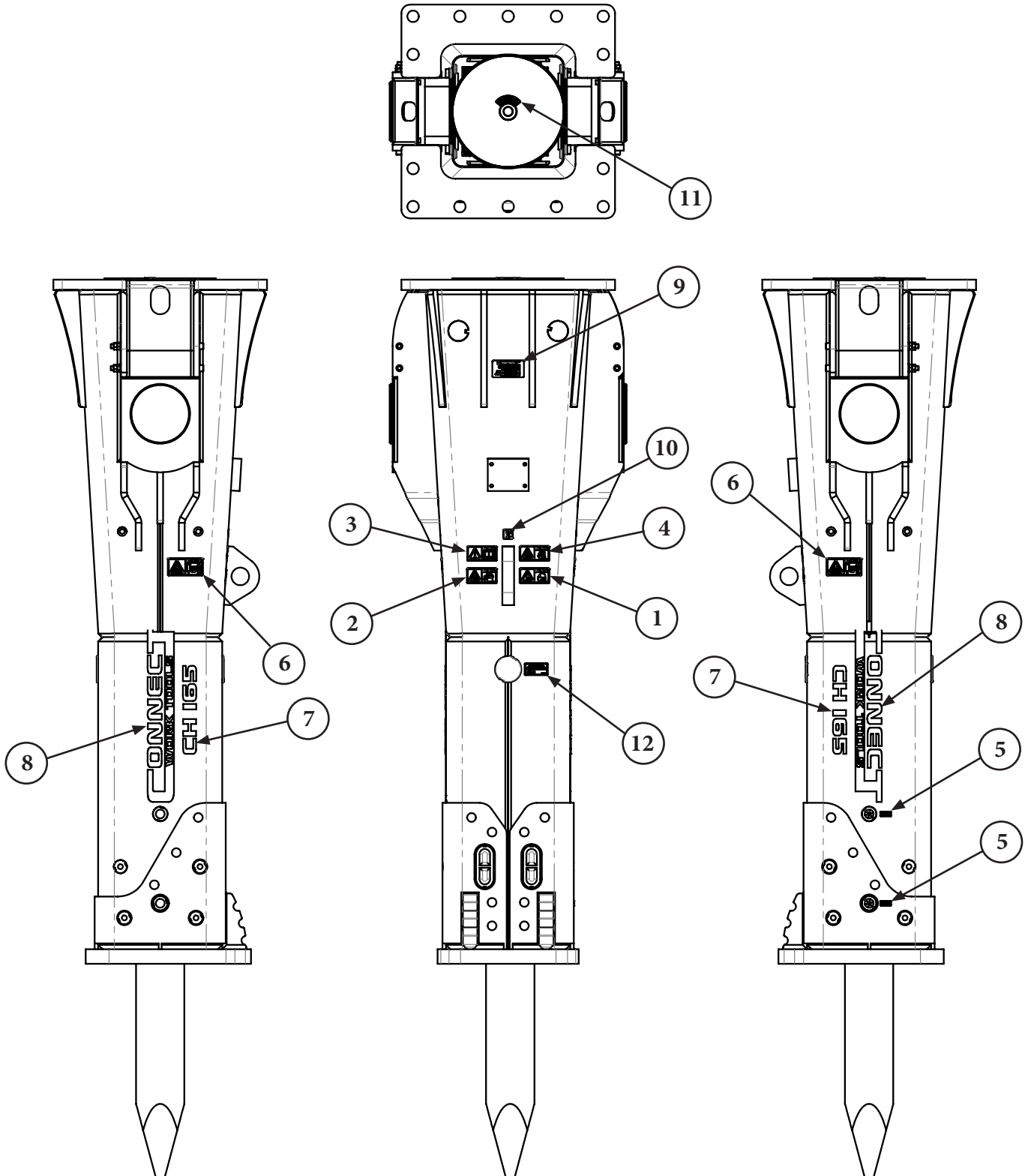
11. Part Number CHE00111 - Decal Warning Nitrogen (N²)



12. Part Number CHE00596 - Decal Warning Anti-Blank Fire (CH100 Model only)

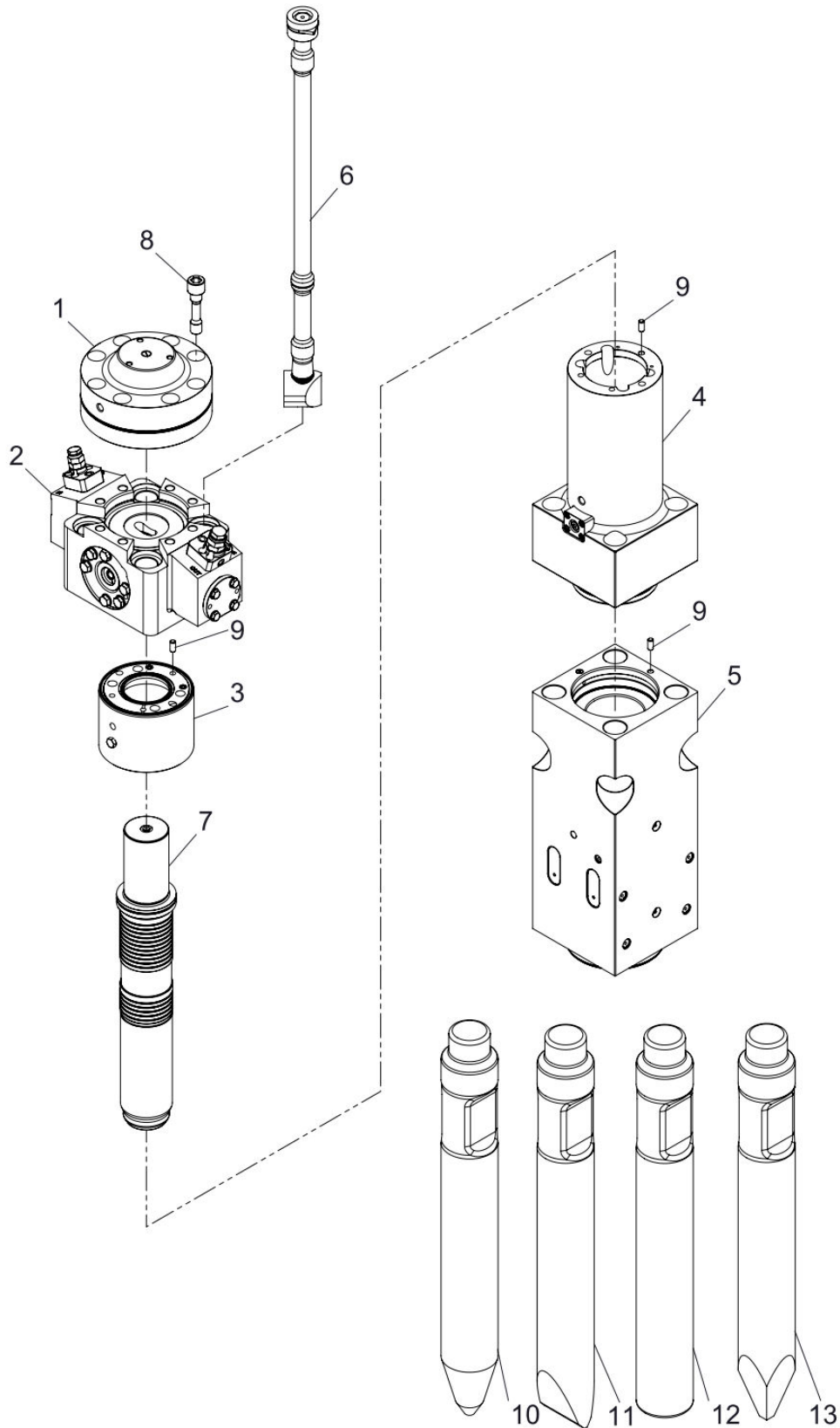
2.0 Decals - CH165

2.2 Typical Breaker Decal Placement



3.0 Hammer - CH165

3-1. Hammer (Auto Shut Off)

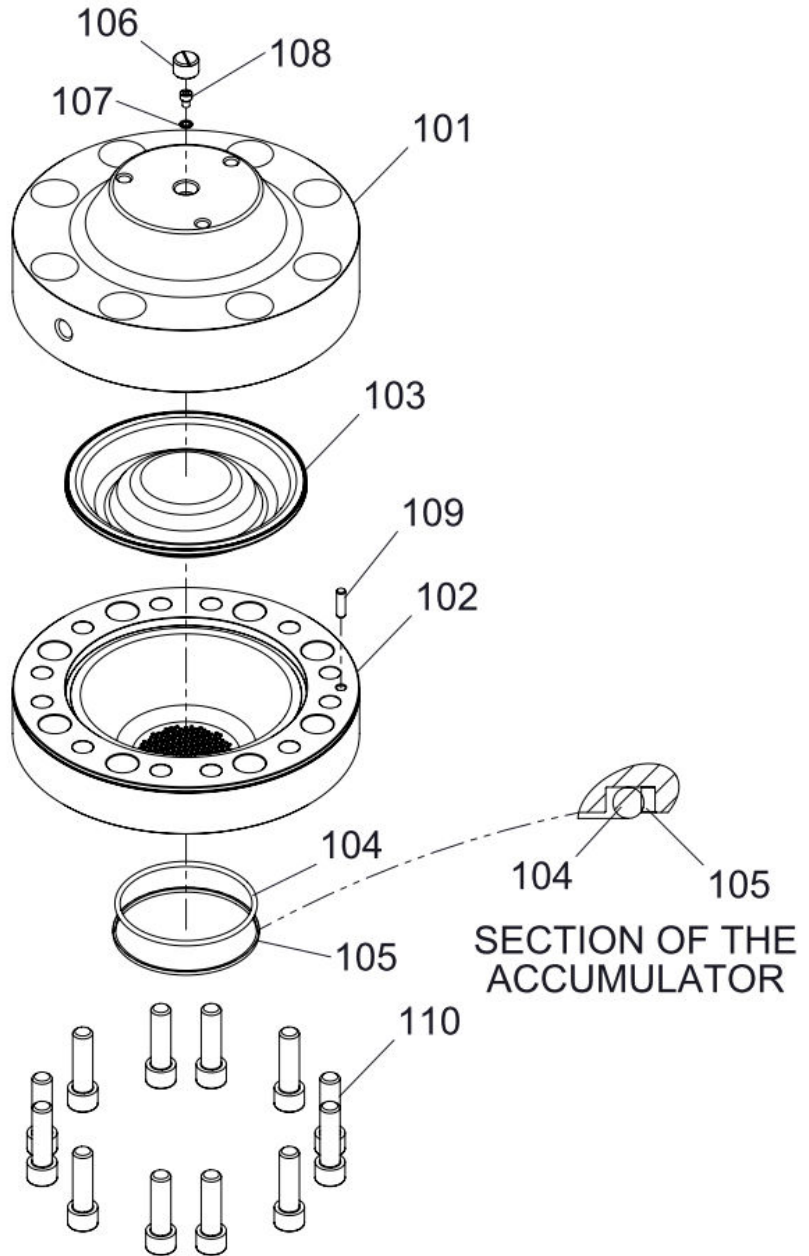


3.0 Hammer - CH165

| NO. | PART NO. | PART NAME | QTY | REMARK |
|-----|-------------|------------------------|-----|--------|
| | CHD0352 | HAMMER TOTAL ASSY | 1 | |
| 1 | CHB320601A | ACC. SUB ASSY | 1 | |
| 2 | CHB320602A | VALVE HOUSING SUB ASSY | 1 | |
| 3 | CHB320603A | SEAL HOUSING SUB ASSY | 1 | |
| 4 | CHB320604B | CYLINDER SUB ASSY | 1 | |
| 5 | CHB320605A | FRONT HEAD SUB ASSY | 1 | |
| 6 | CHB3206130K | SIDE ROD SUB ASSY | 4 | |
| 7 | CHB3206050 | PISTON | 1 | |
| 8 | CHB4006100 | ACCUMULATOR COVE BOLT | 8 | |
| 9 | CHB4006310 | GUIDE PIN | 3 | |
| 10 | CHB3206380 | TOOL-CONE | 1 | OPTION |
| 11 | CHB3206390 | TOOL-CHISEL | 1 | OPTION |
| 12 | CHB3206400 | TOOL-BLUNT | 1 | OPTION |
| 13 | CHB3206620 | TOOL-MOIL | 1 | OPTION |
| | | | | |
| | CHB320810B | SEAL KIT | | |

3.0 Hammer - CH165

3-2. Accumulator Sub Assembly

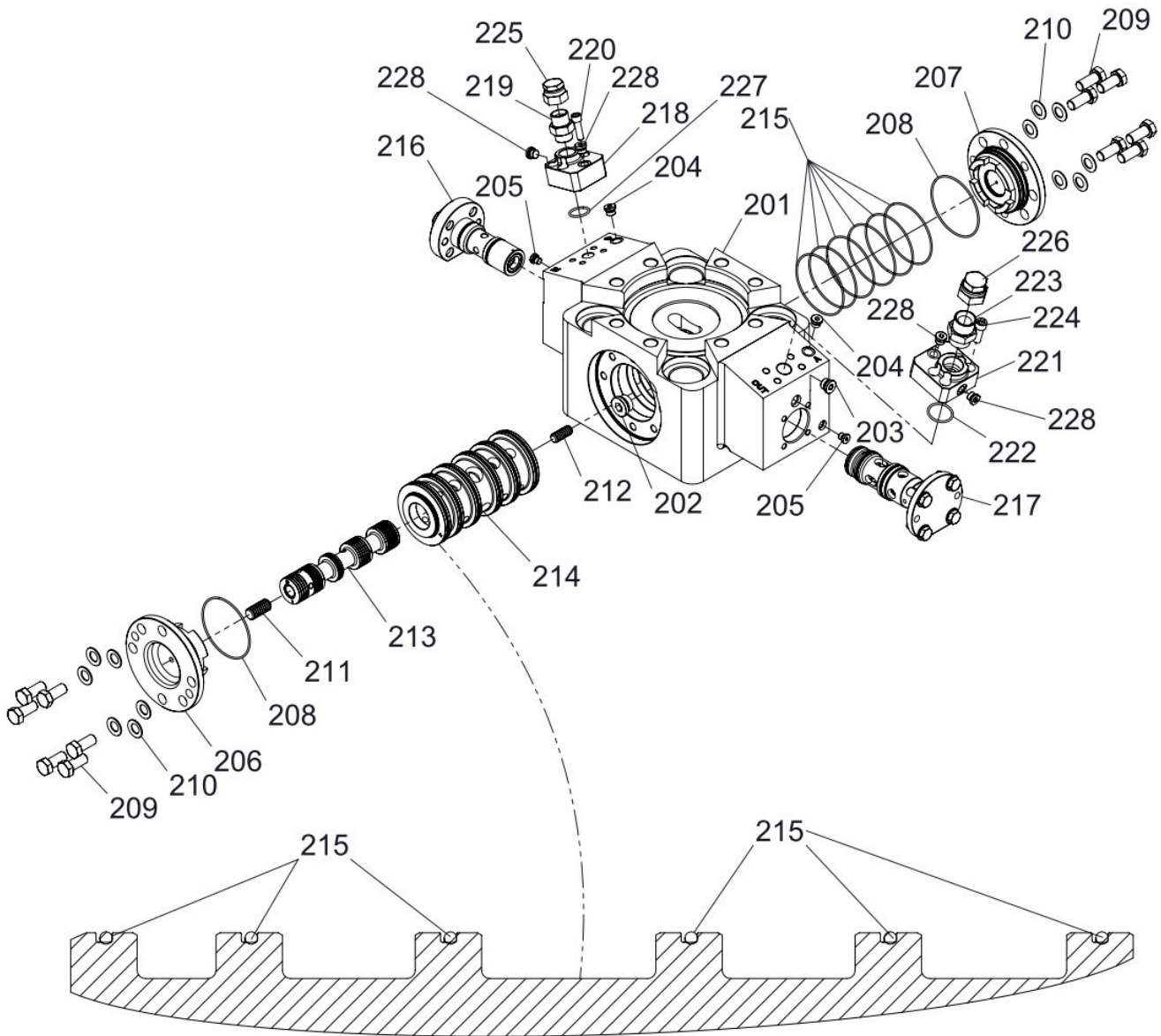


3.0 Hammer - CH165

| NO. | PART NO. | PART NAME | QTY | REMARK |
|-----|-------------|--------------------|-----|------------------|
| 1 | CHB320601A | ACC. SUB ASSY | 1 | |
| 101 | CHB3206020 | ACCUMULATOR COVER | 1 | |
| 102 | CHB300603A | ACCUMULATOR BOTTOM | 1 | |
| 103 | CHB300704U | MEMBRANE | 1 | |
| 104 | CHB4007270 | O-RING | 1 | PART OF SEAL KIT |
| 105 | CHB4007280 | BACK UP RING | 1 | PART OF SEAL KIT |
| 106 | CHB4007010 | ACC. CAP | 1 | |
| 107 | CHB4007020 | USIT RING | 1 | PART OF SEAL KIT |
| 108 | CHB4006420 | ACC.GAS BOLT | 1 | |
| 109 | CHB4006370 | GUIDE PIN | 1 | |
| 110 | CHSB2215075 | SOCKET BOLT | 12 | |

3.0 Hammer - CH165

3-3. Valve Housing Sub Assembly



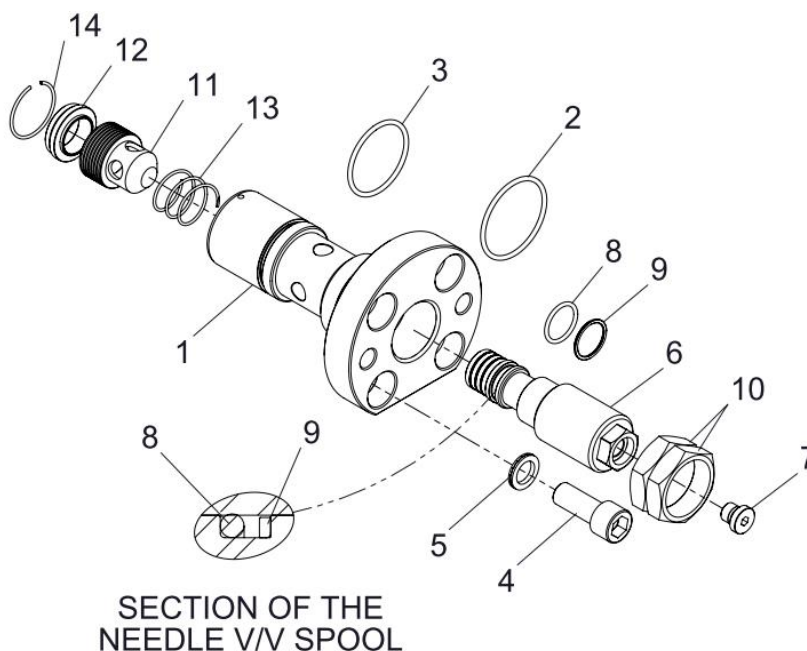
SECTION OF THE SLEEVE

3.0 Hammer - CH165

| NO. | PART NO. | PART NAME | QTY | REMARK |
|-----|---------------|------------------------|-----|------------------|
| 2 | CHB320602A | VALVE HOUSING SUB ASSY | 1 | |
| 201 | CHB3206900 | VALVE HOUSING | 1 | |
| 202 | CHB4006520 | SOCKET PLUG | 1 | |
| 203 | CHB4006530 | SOCKET PLUG | 1 | |
| 204 | CHB4006910 | SOCKET PLUG | 2 | |
| 205 | CHB4006450 | SOCKET PLUG | 2 | |
| 206 | CHB4006150 | SLEEVE COVER 1 | 1 | |
| 207 | CHB4006240 | SLEEVE COVER 2 | 1 | PART OF SEAL KIT |
| 208 | CHB4007120 | O-RING | 2 | |
| 209 | CHHB2015045 | HEX. BOLT | 12 | |
| 210 | CHCW200000 | CONICAL WASHER | 12 | |
| 211 | CHB4006250 | SPOOL 1 | 1 | |
| 212 | CHB4006160 | SPOOL 2 | 1 | |
| 213 | CHB3006170 | MAIN SPOOL | 1 | |
| 214 | CHB3006750 | SLEEVE | 1 | |
| 215 | CHB4007070 | O-RING | 6 | PART OF SEAL KIT |
| 216 | CHB280606A | NEEDLE VALVE SUB ASSY | 1 | |
| 217 | CHB320606A | OPER VALVE SUB ASSY | 1 | |
| 218 | CHB5005210 | FLANGE | 1 | OPTION |
| 219 | CHAPT16MJS16M | ADAPTER | 1 | PF1"-OPTION |
| 220 | CHSB1217040 | SOCKET BOLT | 4 | OPTION |
| 221 | CHB5005220 | FLANGE | 1 | OPTION |
| 222 | CHB4007060 | O-RING | 1 | OPTION |
| 223 | CHAPT20MJS20M | ADAPTER | 1 | PF1-1/4"-OPTION |
| 224 | CHSB1420040 | SOCKET BOLT | 4 | OPTION |
| 225 | CHCJS16F | UNION CAP | 1 | PF1"-OPTION |
| 226 | CHCJS20F | UNION CAP | 1 | PF1-1/4"-OPTION |
| 227 | CHB4007050 | O-RING | 1 | OPTION |
| 228 | CHB4006910 | SOCKET PLUG | 4 | OPTION |

3.0 Hammer - CH165

3-3-1. Needle Valve Sub Assembly



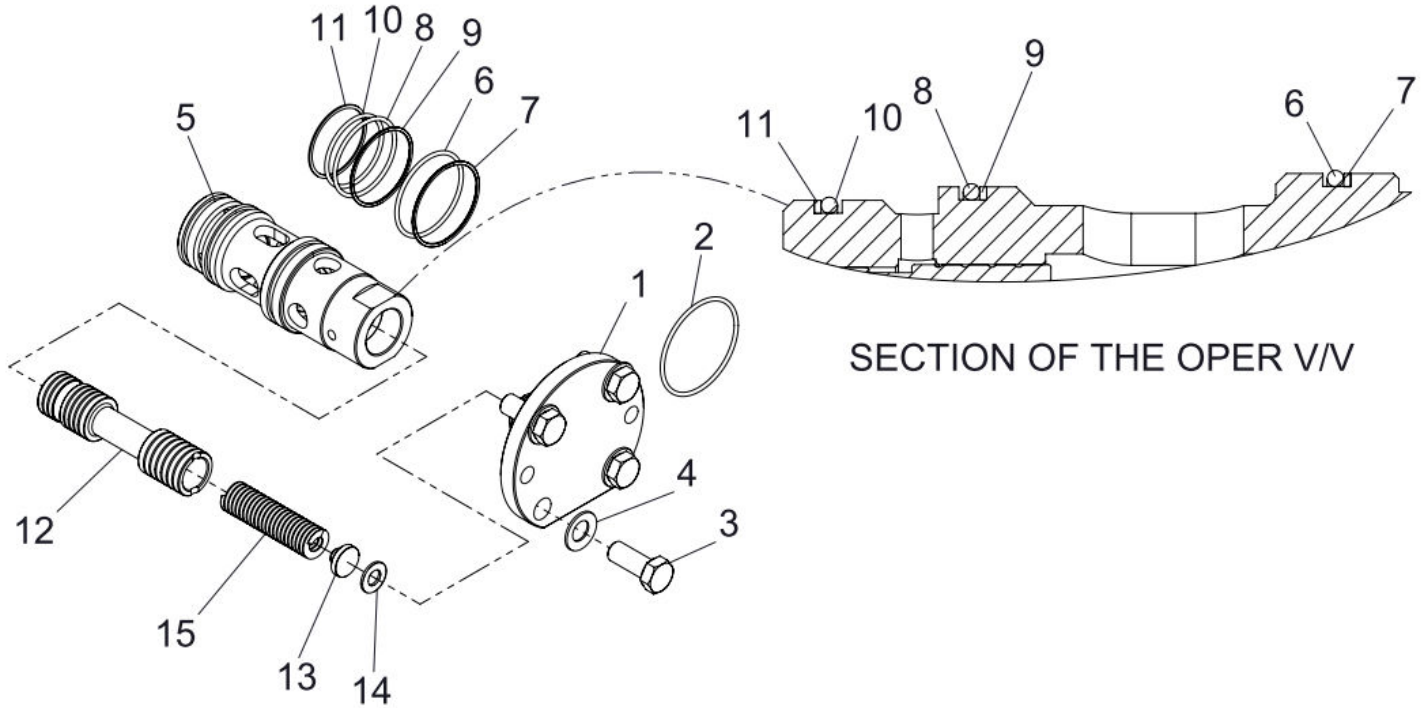
| NO. | PART NO. | PART NAME | QTY | REMARK |
|-----|-------------|------------------------|-----|------------------|
| 215 | CHB280606A | NEEDLE VALVE SUB ASSY | 1 | |
| 1 | CHB6006910 | NEEDLE VALVE HOUSING | 1 | |
| 2 | CHB4007190 | O-RING | 1 | PART OF SEAL KIT |
| 3 | CHB2507200 | O-RING | 1 | PART OF SEAL KIT |
| 4 | CHSB1620040 | SOCKET BOLT | 4 | |
| 5 | CHNDLW1600 | NORD LOCK WASHER | 4 | |
| 6 | CHB6006920 | NEEDLE VALVE SPOOL | 1 | |
| 7 | CHB4006450 | SOCKET PLUG | 1 | |
| 8 | CHB4007260 | O-RING | 1 | PART OF SEAL KIT |
| 9 | CHB3206940 | BACKUP RING | 1 | PART OF SEAL KIT |
| 10 | CHB6006930 | NUT | 2 | |
| 11 | CHB4006220 | CHECK VALVE SPOOL | 1 | |
| 12 | CHB4006230 | CHECK V/V SPRING GUIDE | 1 | |
| 13 | CHB4006480 | CHECK VALVE SPRING | 1 | |
| 14 | CHB4006490 | LOCK RING | 1 | |

Notes



3.0 Hammer - CH165

3-3-2. Oper Valve Sub Assembly

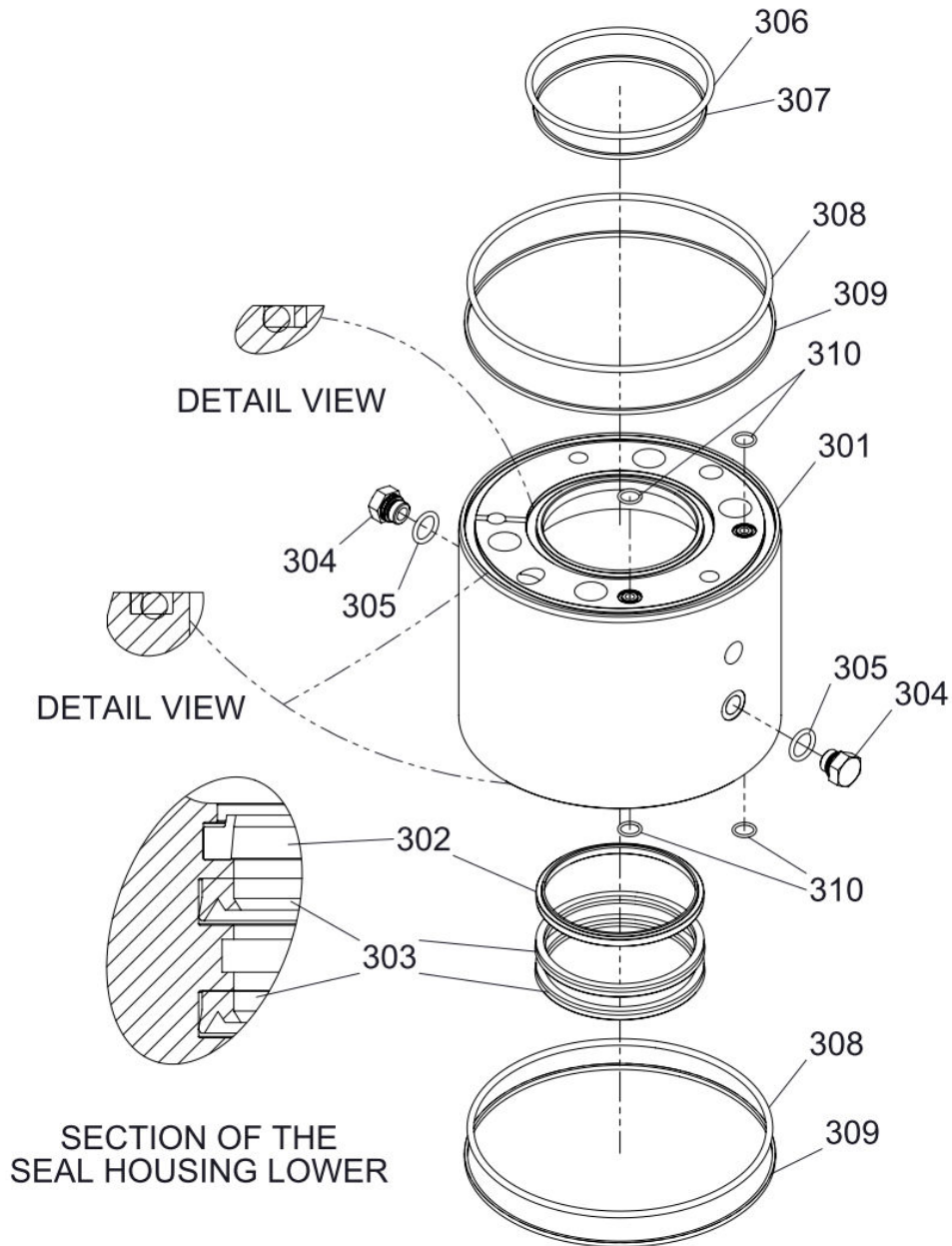


3.0 Hammer - CH165

| NO. | PART NO. | PART NAME | QTY | REMARK |
|-----|-------------|--------------------------|-----|------------------|
| 216 | CHB320606A | OPER VALVE SUB ASSY | 1 | |
| 1 | CHB3006790 | OPER. VALVE COVER | 1 | |
| 2 | CHB4007240 | O-RING | 1 | PART OF SEAL KIT |
| 3 | CHHB1620040 | HEX. BOLT | 4 | |
| 4 | CHCW160000 | CONICAL WASHER | 4 | |
| 5 | CHB3006770 | OPERATING VALVE GUIDE | 1 | |
| 6 | CHB4007220 | O-RING | 1 | PART OF SEAL KIT |
| 7 | CHB6007370 | BACK UP RING | 1 | PART OF SEAL KIT |
| 8 | CHB4007200 | O-RING | 1 | PART OF SEAL KIT |
| 9 | CHB6007360 | BACK UP RING | 1 | PART OF SEAL KIT |
| 10 | CHB4007190 | O-RING | 1 | PART OF SEAL KIT |
| 11 | CHB6007350 | BACK UP RING | 1 | PART OF SEAL KIT |
| 12 | CHB3006780 | OPERATING VALVE SPOOL | 1 | |
| 13 | CHB2506280 | OPER. VALVE SPRING GUIDE | 1 | |
| 14 | CHB2506440 | SHIM PLATE | 1 | |
| 15 | CHB2506870 | OPER. VALVE SPRING | 1 | |

3.0 Hammer - CH165

3-4 Seal Housing Sub Assembly

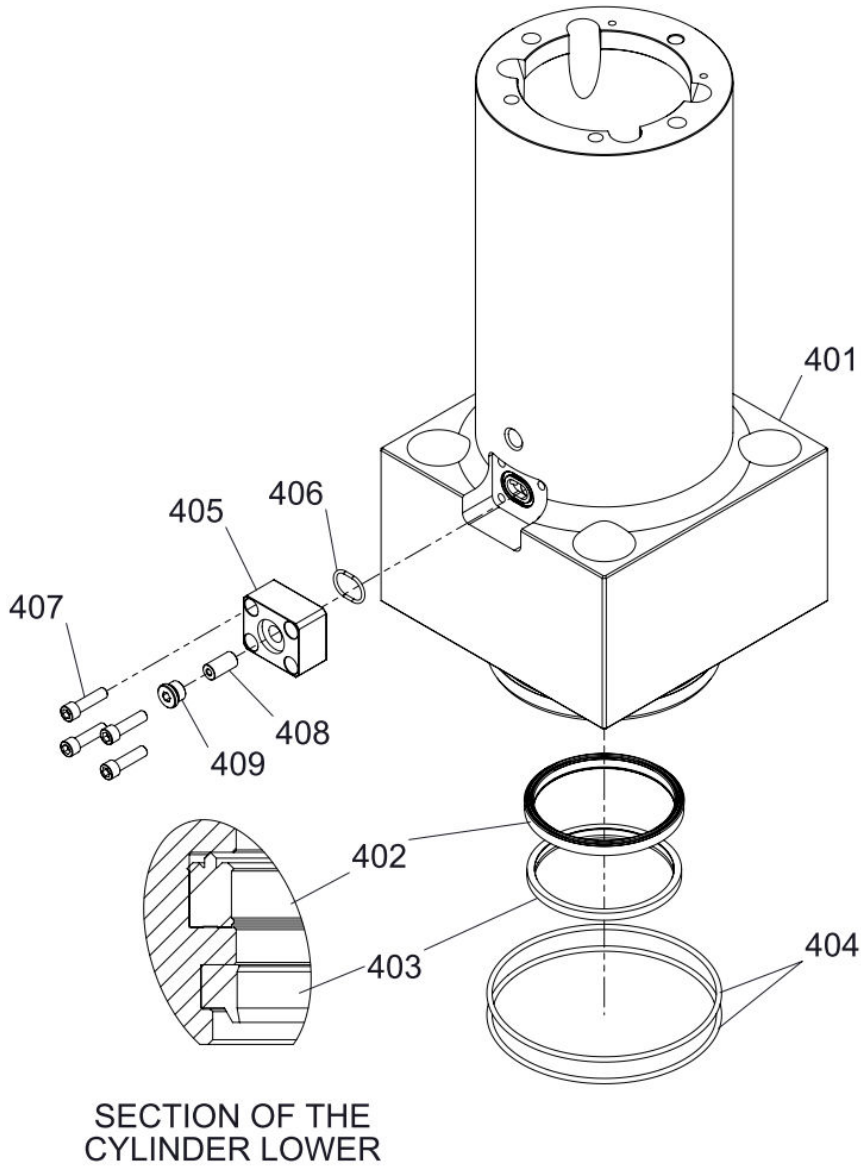


3.0 Hammer - CH165

| NO. | PART NO. | PART NAME | QTY | REMARK |
|-----|------------|-----------------------|-----|------------------|
| 3 | CHB320603A | SEAL HOUSING SUB ASSY | 1 | |
| 301 | CHB3206040 | SEAL HOUSING | 1 | |
| 302 | CHB3207120 | WIPER | 1 | PART OF SEAL KIT |
| 303 | CHB3207130 | SEAL | 2 | PART OF SEAL KIT |
| 304 | CHB2006870 | AIR VENT PLUG | 2 | |
| 305 | CHB0407150 | O-RING | 2 | PART OF SEAL KIT |
| 306 | CHB4007080 | O-RING | 1 | PART OF SEAL KIT |
| 307 | CHB3007090 | BACK-UP RING | 1 | PART OF SEAL KIT |
| 308 | CHB6007190 | O-RING | 2 | PART OF SEAL KIT |
| 309 | CHB3207110 | BACK-UP RING | 2 | PART OF SEAL KIT |
| 310 | CHB4007310 | O-RING | 4 | PART OF SEAL KIT |

3.0 Hammer - CH165

3-5. Cylinder Sub Assembly

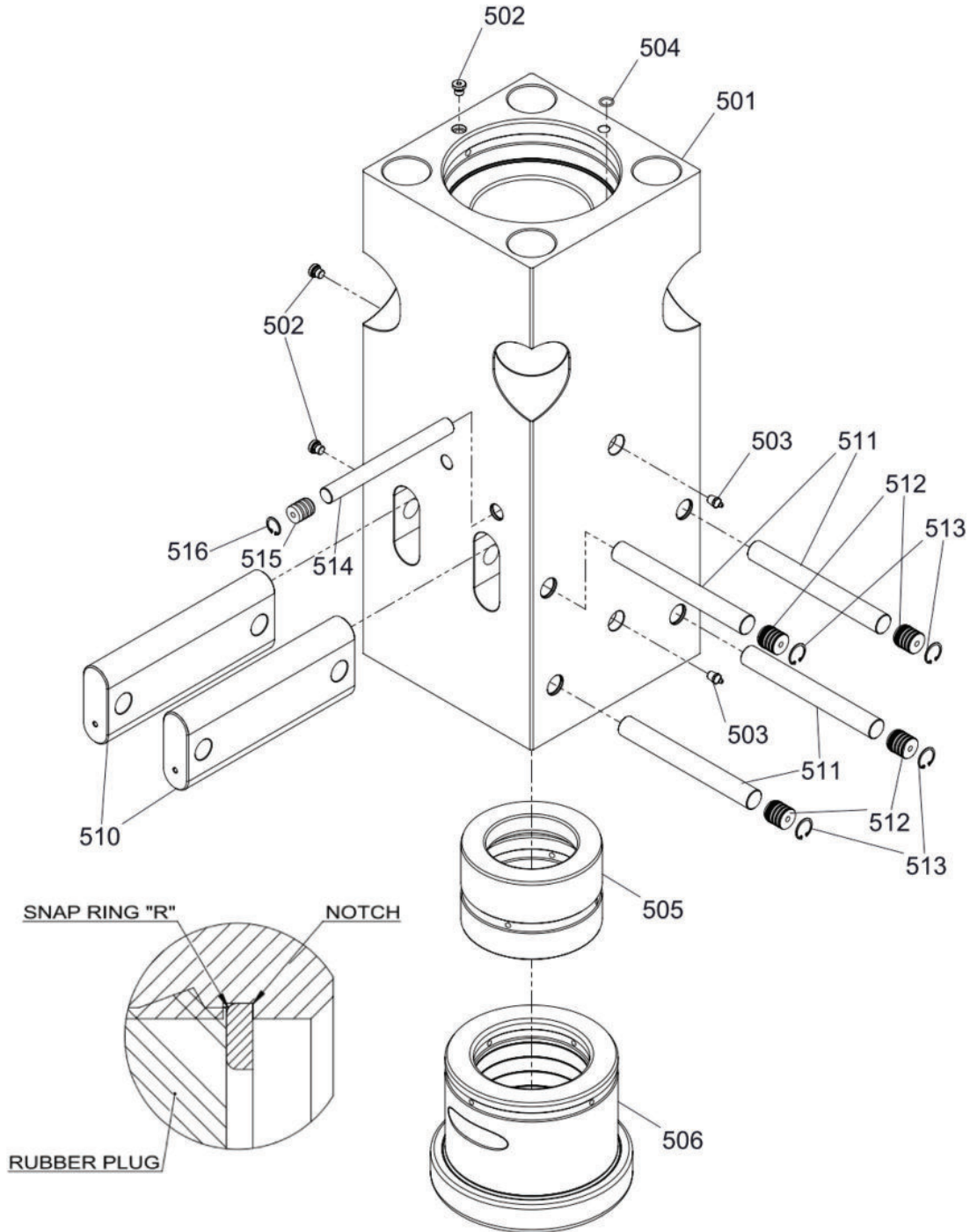


3.0 Hammer - CH165

| NO. | PART NO. | PART NAME | QTY | REMARK |
|-----|-------------|------------------------|-----|------------------|
| 4 | CHB320604B | CYLINDER SUB ASSY | 1 | |
| 401 | CHB3206960 | CYLINDER | 1 | |
| 402 | CHB3207160 | SEAL | 1 | PART OF SEAL KIT |
| 403 | CHB3207170 | WIPER | 1 | PART OF SEAL KIT |
| 404 | CHB3007100 | O-RING | 2 | PART OF SEAL KIT |
| 405 | CHB2806360 | STOP VALVE | 1 | |
| 406 | CHA3206550 | O-RING | 1 | PART OF SEAL KIT |
| 407 | CHSB1217045 | SOCKET BOLT | 4 | |
| 408 | CHB1406790 | ASO PIN | 1 | |
| 409 | CHA1206780 | METRIC HOLLOW HEX PLUG | 1 | |

3.0 Hammer - CH165

3-6. Front Head Sub Assembly

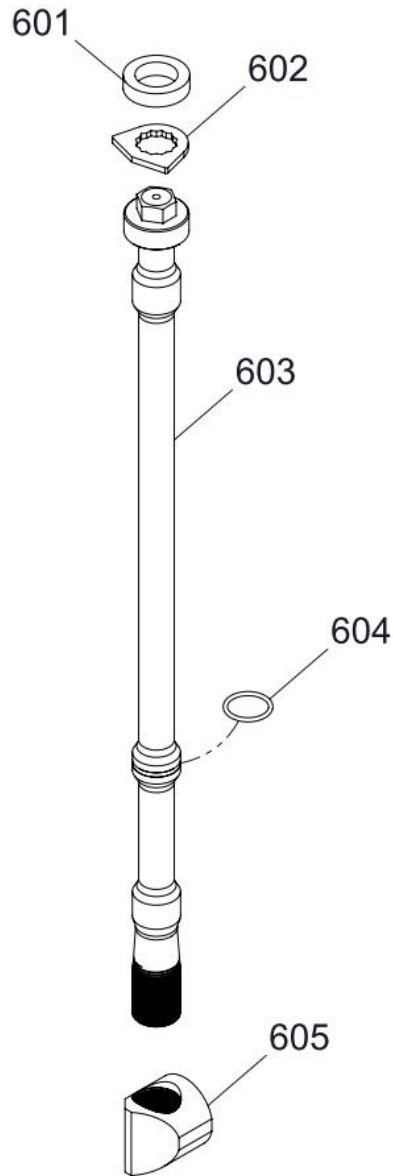


3.0 Hammer - CH165

| NO. | PART NO. | PART NAME | QTY | REMARK |
|-----|------------|---------------------|-----|------------------|
| 5 | CHB280604A | FRONT HEAD SUB ASSY | 1 | |
| 501 | CHB2806020 | FRONT HEAD | 1 | |
| 502 | CHB4006450 | SOCKET PLUG | 3 | |
| 503 | CHB4006560 | GREASE NIPPLE | 2 | |
| 504 | CHB4007310 | O-RING | 1 | PART OF SEAL KIT |
| 505 | CHB2806030 | UPPER BUSHING | 1 | |
| 506 | CHB2806050 | TOOL BUSHING | 1 | |
| 507 | CHB2806320 | TOOL INNER BUSHING | 1 | OPTION |
| 508 | CHB2806310 | TOOL BUSHING | 1 | OPTION |
| 509 | CHB6007140 | SEAL | 1 | OPTION |
| 510 | CHB2806040 | TOOL PIN | 2 | |
| 511 | CHA5006050 | BUSHING PIN | 4 | |
| 512 | CHB3006580 | RUBBER PLUG | 4 | |
| 513 | CHB3006570 | SNAP RING | 4 | |
| 514 | CHA3006230 | BUSHING PIN | 1 | |
| 515 | CHB1806580 | RUBBER PLUG | 1 | |
| 516 | CHB1806570 | SNAP RING | 1 | |

3.0 Hammer - CH165

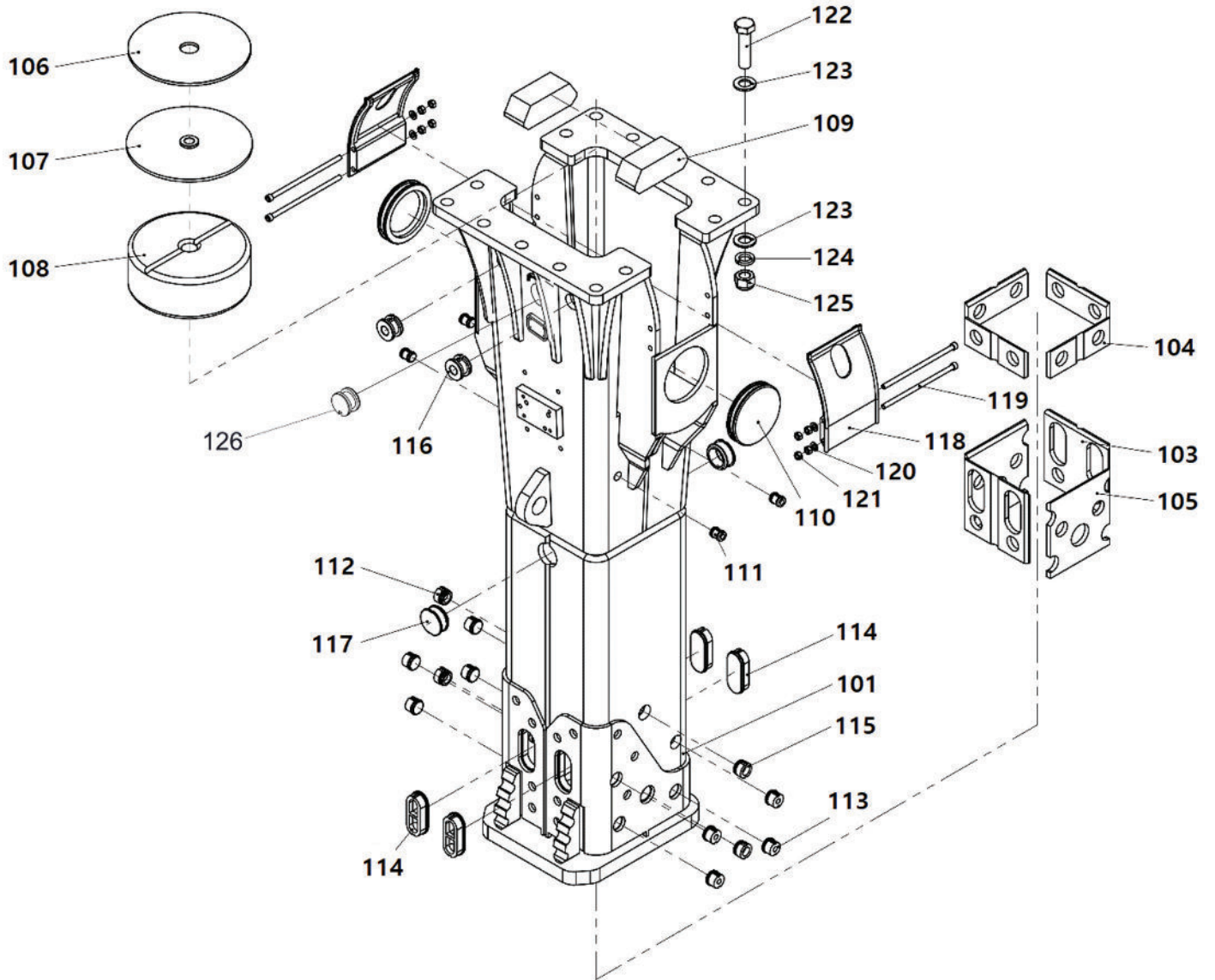
3-7. Side Rod Sub Assembly



| NO. | PART NO. | PART NAME | QTY | REMARK |
|-----|-------------|-------------------|-----|------------------|
| 6 | CHB3206130K | SIDE ROD SUB ASSY | 4 | |
| 601 | CHB3007030 | RUBBER RING | 1 | |
| 602 | CHB3006110 | LOCK WASHER | 1 | |
| 603 | CHB3206130 | SIDE ROD | 1 | |
| 604 | CHB3007250 | O-RING | 1 | PART OF SEAL KIT |
| 605 | CHB3206140 | SIDE ROD NUT | 1 | |

4.0 Housing - CH165

4-1. R- Box Housing

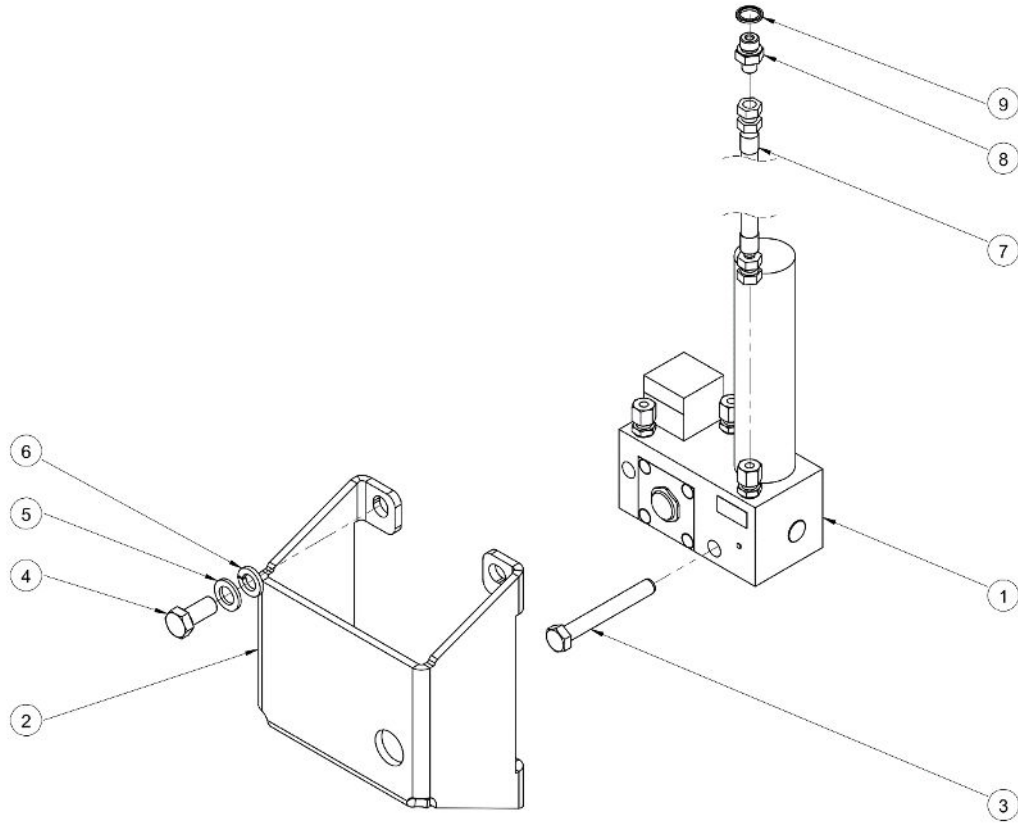


4.0 Housing - CH165

| NO. | PART NO. | PART NAME | QTY | REMARK |
|-----|-------------|--------------------|-----|--------|
| | CHB3203500 | HOUSING TOTAL ASSY | 1 | |
| 101 | CHB3203510 | HOUSING WELD ASSY | 1 | |
| 103 | CHB3200060 | WEARING PLATE | 2 | |
| 104 | CHB300A030 | WEARING PLATE | 4 | |
| 105 | CHB3200020 | WEARING PLATE | 2 | |
| 106 | CHB4000060 | TOP WEARING PLATE | 1 | |
| 107 | CHB4000070 | TOP PLATE ASSY | 1 | |
| 108 | CHB3200030 | TOP BUFFER | 1 | |
| 109 | CHB4000090 | SIDE BUFFER | 2 | |
| 110 | CHB4000100 | RUBBER | 2 | |
| 111 | CHB3000140 | RUBBER | 4 | |
| 112 | CHB3200050 | RUBBER | 2 | |
| 113 | CHB4000120 | RUBBER | 8 | |
| 114 | CHB3000110 | RUBBER | 4 | |
| 115 | CHB3200040 | RUBBER | 2 | |
| 116 | CHB400W27A | RUBBER | 2 | |
| 117 | CHB1601460 | RUBBER PLUG | 2 | |
| 118 | CHB5000150 | PORT COVER | 2 | |
| 119 | CHSB1420300 | SOCKET BOLT | 4 | |
| 120 | CHPW140000 | PLAIN WASHER | 4 | |
| 121 | CHHN142000 | HEX NUT | 8 | |
| 122 | CHHB3640140 | HEX BOLT | 14 | |
| 123 | CHPW360000 | PLAIN WASHER | 28 | |
| 124 | CHSW360000 | SPRING WASHER | 14 | |
| 125 | CHNN364000 | NYLON NUT | 14 | |
| 126 | CHB400W270 | RUBBER PLUG | 2 | |

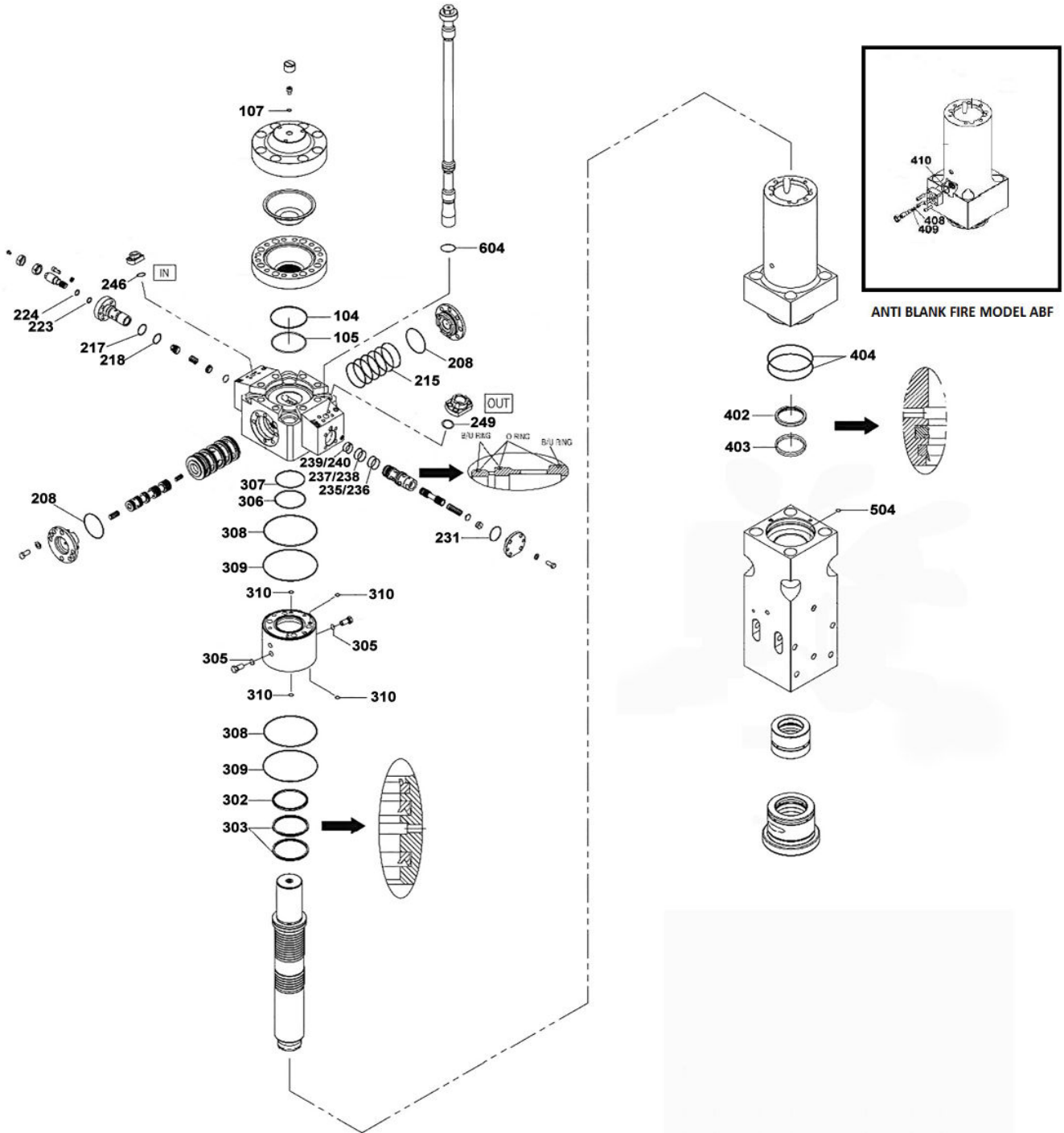
5.0 Auto Grease Pump Option - CH165

5-1. Refill Up Type



| NO. | PART NO. | PART NAME | QTY | REMARK |
|-----|--------------|------------------------------|-----|--------|
| | CHPHBKD | AUTO GREASE PUMP (BEKA) ASSY | 1 | |
| 1 | CHHAMAX2-100 | AUTO GREASE PUMP (BEKA) | 1 | |
| 2 | CHB6003220 | PUMP COVER | 1 | |
| 3 | CHHB1420110 | HEX. BOLT | 2 | |
| 4 | CHHB1620035 | HEX. BOLT | 4 | |
| 5 | CHPW160000 | PLAIN WASHER | 4 | |
| 6 | CHSW160000 | SPRING WASHER | 4 | |
| 7 | - | HOSE | 3 | |
| 8 | - | ADAPTER | 3 | |
| 9 | CHBS060000 | BONDED SEAL | 3 | |

6.0 Seal Kits - CH165

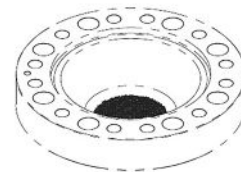
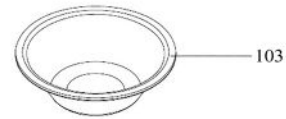
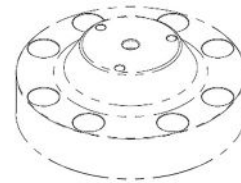
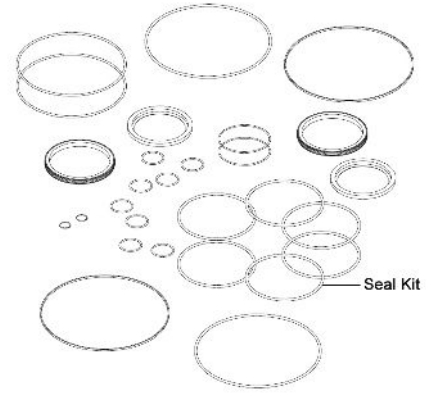
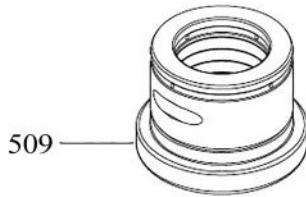
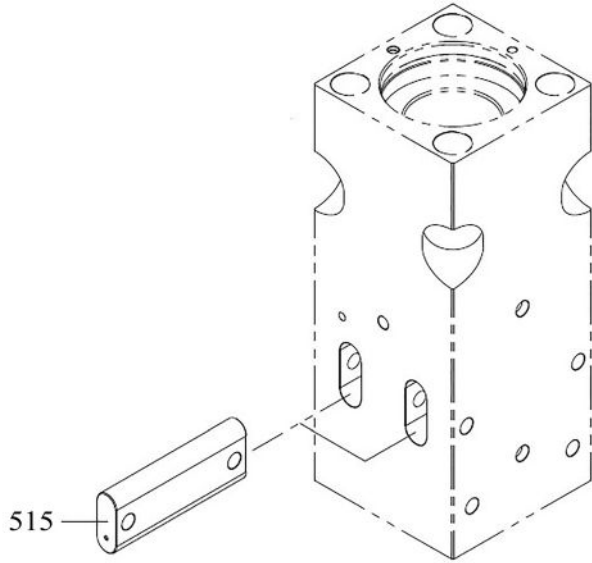


6.0 Seal Kits - CH165

| Item | Illustration | QTY | Description | Part Number | Assembly Area |
|------|--------------|-----|--------------|--------------|-----------------------------|
| | | 1 | SEAL KIT | CHB320810BHX | |
| 1 | 246 | 1 | O - RING | CHB4007050 | FLANGE(IN) |
| 2 | 249 | 1 | O - RING | CHB4007060 | FLANGE(OUT) |
| 3 | 215 | 6 | O - RING | CHB4007070 | SLEEVE |
| 4 | 306 | 1 | O - RING | CHB3007080 | SEAL HOUSING |
| 5 | 307 | 1 | BACK UP RING | CHB3007090 | SEAL HOUSING |
| 6 | 308 | 2 | O - RING | CHB6007190 | SEAL HOUSING |
| 7 | 309 | 2 | BACK UP RING | CHB3207110 | SEAL HOUSING |
| 8 | 208 | 2 | O - RING | CHB4007120 | SLEEVE COVER 1,2 |
| 9 | 404 | 2 | O - RING | CHB3007100 | CYLINDER |
| 10 | 302 | 1 | WIPER | CHB3207120 | SEAL HOUSING |
| 11 | 303 | 2 | U - PACKING | CHB3207130 | SEAL HOUSING |
| 12 | 402 | 1 | SEAL | CHB3207160 | CYLINDER |
| 13 | 403 | 1 | WIPER | CHB3207170 | CYLINDER |
| 14 | 240 | 1 | BACK UP RING | CHB6007350 | OPER. V/V GUIDE |
| 15 | 239/217 | 2 | O - RING | CHB4007190 | OPER. V/V GUIDE, Needle V/V |
| 16 | 237 | 1 | O - RING | CHB4007200 | OPER. V/V GUIDE |
| 17 | 238 | 1 | BACK UP RING | CHB6007360 | OPER. V/V GUIDE |
| 18 | 235 | 1 | O - RING | CHB4007220 | OPER. V/V GUIDE |
| 19 | 236 | 1 | BACK UP RING | CHB6007370 | OPER. V/V GUIDE |
| 20 | 231 | 1 | O - RING | CHB4007240 | OPER. V/V COVER |
| 21 | 604 | 4 | O - RING | CHB3007250 | SIDE ROD |
| 22 | 107 | 1 | USIT RING | CHB4007020 | ACC. COVER |
| 23 | 104 | 1 | O - RING | CHB4007270 | ACC. BOTTOM |
| 24 | 105 | 1 | BACK UP RING | CHB4007280 | ACC. BOTTOM |
| 25 | 218 | 1 | O - RING | CHB2507200 | NEEDLE V/V |
| 26 | 310 | 5 | O - RING | CHB4007310 | SEAL HOUSING, CYLINDER |
| 27 | 223 | 1 | O - RING | CHB4007260 | NEEDLE V/V |
| 28 | 224 | 1 | BACK UP RING | CHB3206940 | NEEDLE V/V |
| 29 | 305 | 2 | O - RING | CHB0407150 | AIR VENT PLUG |
| 30 | 408 | 1 | O - RING | CHA3206550 | CYLINDER / STOP VALVE |
| 31 | 409 | 1 | O - RING | CHB1807310 | CYLINDER / ADJUST BOLT |
| 32 | 410 | 1 | BACK UP RING | CHA3007160 | CYLINDER / ADJUST BOLT |

7.0 Rebuild Kits - CH165

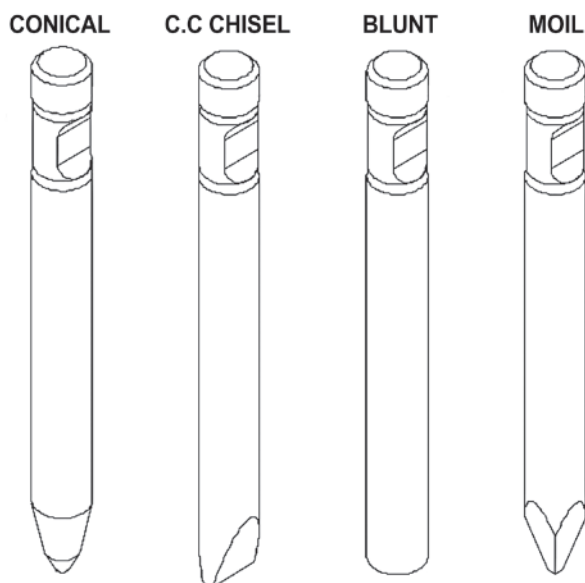
7.1 Rebuild Kits



| REBUILD KIT - CH165 | | | |
|---------------------|-----|--------------|--------------|
| ITEM | QTY | DESCRIPTION | PART NUMBER |
| | 1 | KIT | CHTKD035EXO |
| 515 | 2 | TOOL PIN | CHB3206340 |
| 509 | 1 | TOOL BUSHING | CHB3206840 |
| 103 | 1 | MEMBRANE | CHB300704A |
| | 1 | SEAL KIT | CHB320810BHX |

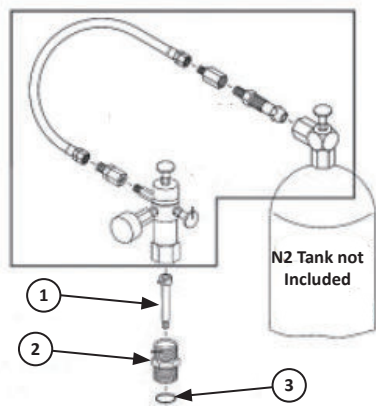
8.0 Tool Bits - CH165

7.1 Tool Bits



| TOOL BITS - CH165 | |
|-------------------|-------------|
| TOOL TYPE | PART NUMBER |
| CONICAL | CHB3206380 |
| CHISEL | CHB3206390 |
| BLUNT | CHB3206400 |
| MOIL | CHB3206620 |

9.0 Tools Nitrogen (N²) Charge Kit - CH165



NITROGEN CHARGE KIT
Part Number: CHT0006

| TOOLING NITROGEN (N ₂) CHARGE KIT | | | |
|---|-------------|------------------------------|-----|
| ITEM | PART NUMBER | DESCRIPTION | QTY |
| | CHT0006 | N2 CHARGE KIT | 1 |
| 1 | CHBM1C60052 | CHARGE TOOL SOCKET HEAD BOLT | 1 |
| 2 | CH1G020026 | CHARGE TOOL ADAPTER | 1 |
| 3 | CGA2507380 | O-RING | 1 |

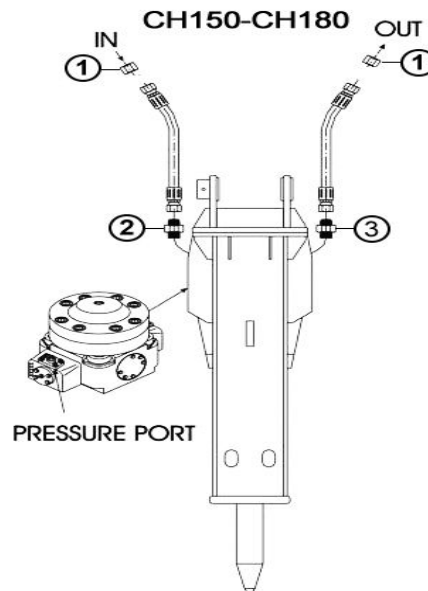
10.0 Hoses - CH165

| MODEL | HOSE CHART - CH165 | | | | |
|-------|--------------------|--------|------------|-----------|-----------|
| | PART NUMBER | LENGTH | DIA. / PSI | FITTING 1 | FITTING 2 |
| CH165 | 40-02172 | 102" | 1.25"/3000 | 20FJSW | 20FJSW |

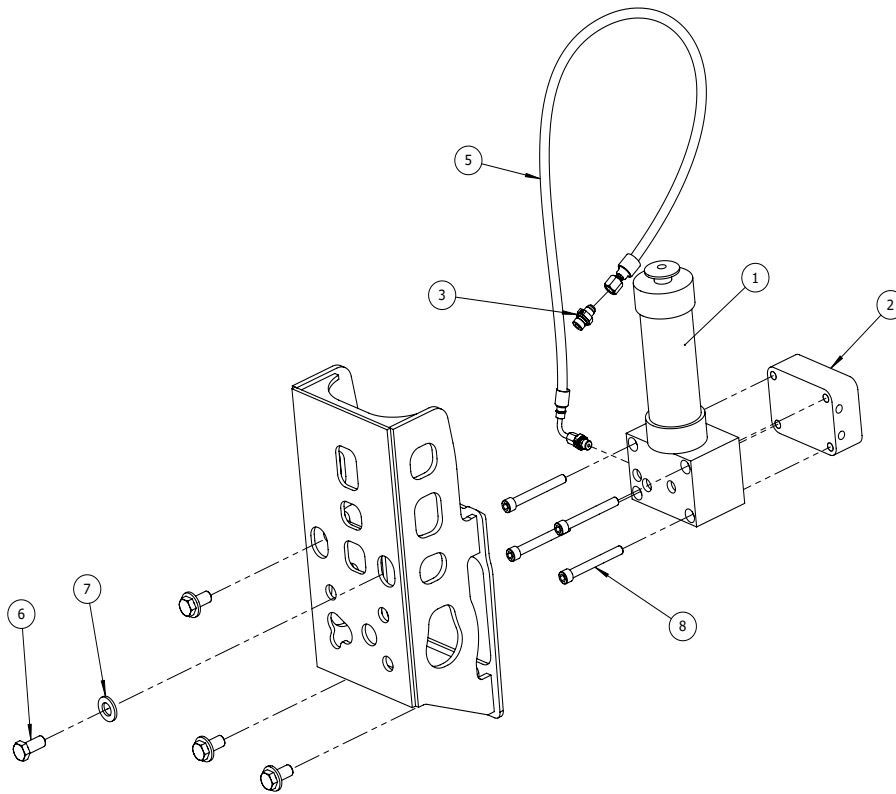
| MODEL | HOSE PLUGS | | |
|-------|-------------|------|-----------------------|
| | PART NUMBER | ITEM | DESCRIPTION |
| CH165 | CHE00200 | 1 | Plug 20 JIC 37 Degree |

| MODEL | HOSE ADAPTORS - INLET BREAKER PORT | | | | |
|-------|------------------------------------|------|------------|---------------|----------------|
| | ADAPTOR PN # | ITEM | FLANGE | INLET ADAPTOR | HOSE / CARRIER |
| CH165 | CHE00203 | 2 | CHB1506670 | -16 SAE ORB | -20 JIC |

| MODEL | HOSE ADAPTORS - OUTLET BREAKER PORT | | | | |
|-------|-------------------------------------|------|------------|----------------|----------------|
| | ADAPTOR PN # | ITEM | FLANGE | OUTLET ADAPTOR | HOSE / CARRIER |
| CH165 | CHE00204 | 3 | CHC3006660 | -20 SAE ORB | -20 JIC |

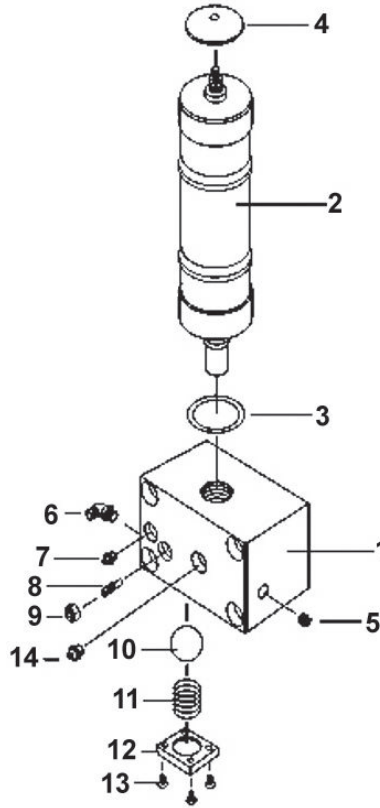


11.0 Mounted Lubricator - Large Series - CH165



| MOUNTED LUBRICATOR - CH165 | | | |
|----------------------------|-----|----------------------------------|-------------|
| ITEM | QTY | DESCRIPTION | PN# |
| 1 | 1 | PUMP | CHAGRU0500 |
| 2 | 1 | PLATE | CHB2003550 |
| 3 | 1 | COVER | CHA2001570 |
| 4 | 4 | SOCKET BOLT | CHSB1217100 |
| 5 | 4 | PLAIN WASHER | CHPW120000 |
| 6 | 4 | SPRING WASHER | CHSW120000 |
| 7 | 4 | SOCKET BOLT | CHSB1217025 |
| 8 | 1 | ADAPTER | CHBHSSG102 |
| 9 | 1 | HOSE | CHE01743 |
| | 1 | GREASE PUMP KIT (REFILL TYPE) | — |

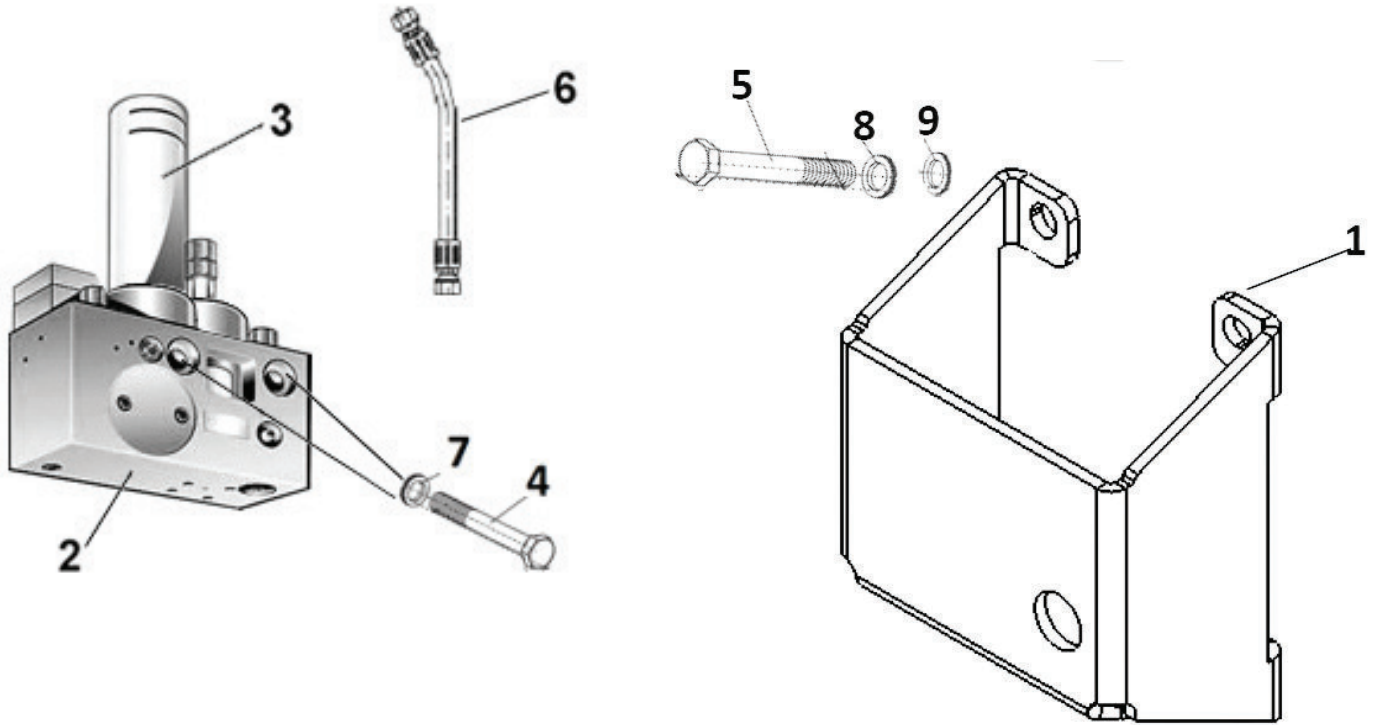
12.0 Breaker Mounted Lubricator - CH165



| BREAKER MOUNTED LUBRICATOR | | |
|----------------------------|------------|------------------------|
| ITEM | PARTS NO. | DESCRIPTION |
| | CHAGRU0500 | PUMP |
| 1 | CHHLU-0300 | 11U-BODY |
| 2 | CHHL0101 | RECHARGEABLE CARTRIDGE |
| 3 | CHHL0041 | O-RING |
| 4 | CHHL0810 | HANDLE |
| 5 | CHHL0920 | PLUG |
| 6 | CHHL0360 | ZERK |
| 7 | CHHNG18 | ZERK -GREASE |
| 8 | CHHL0240 | ADJUSTER |
| 9 | CHHNM1201 | NUT |
| 10 | CHHL0350 | BALL |
| 11 | CHHL0220 | SPRING |
| 12 | CHHL0330 | COVER |
| 13 | CHJBM0615 | BOLT |
| 14 | CHHNG18 | ZERK-GREASE |

12.0 Breaker Mounted Lubricator - CH165

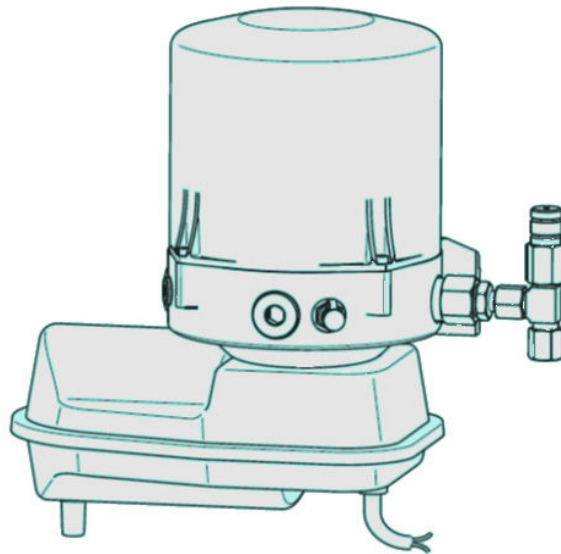
7.1 Breaker Mounted Lubricator



| HYD. MOUNTED LUBRICATOR - CH165 | | | |
|---------------------------------|-----|------------------|--------------|
| ITEM | QTY | DESCRIPTION | PN# |
| | 1 | KIT | CHPHBKD035 |
| 1 | 1 | PUMP COVER | CHB6003220 |
| 2 | 1 | PUMP ASSY | CHHAMAX2-100 |
| *3 | 1 | CARTRIDGE | CHE00933 |
| 4 | 2 | HEX. BOLT | CHHB1420110 |
| 5 | 4 | HEX. BOLT | CHHB1620035 |
| 6 | 3 | HOSE (A/G PUMP) | CHB5005230 |
| 7 | 2 | NORD LOCK WASHER | CHNDLW1600 |
| 8 | 4 | PLAIN WASHER | CHPW160000 |
| 9 | 4 | SPRING WASHER | CHSW160000 |

* Not sold separately - sold by the case

13.0 Breaker Carrier Mounted Lubricator - CH165

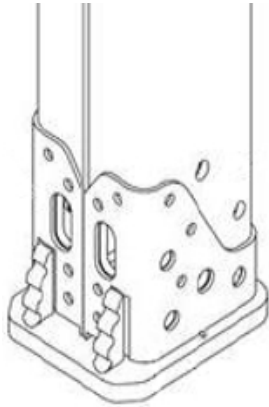


CARRIER MOUNTED LUBRICATOR - CH165

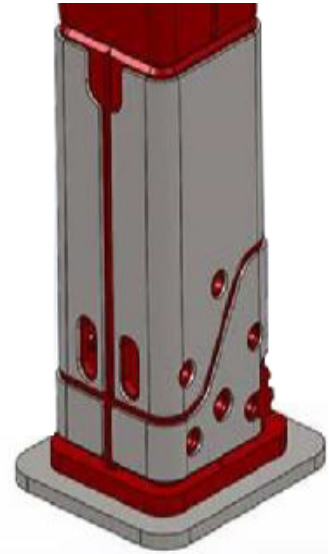
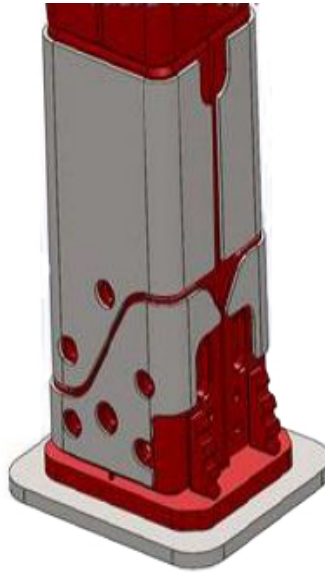
| MODEL | CARRIER MOUNTED LUBRICATOR KIT (CML) | PART NUMBER |
|-------|--------------------------------------|-------------|
| CH165 | DOUBLE PUMP | CHE00652 |

Kits include hoses, fittings, relay/circuit breaker, harness, signal light and couplers

14.0 Quarry Wear Guard Kit



CURRENT STANDARD HOUSING DESIGN



QUARRY WEAR GUARD KIT

| QUARRY WEAR GUARD KIT | | |
|------------------------------|-----------------------------|--------------------|
| Model | DESCRIPTION | PART NUMBER |
| CH165 | Quarry Wear Guard Kit CH165 | CHE00998 |

CONNECTTM
WORK TOOLS

920.238.6657

www.connectworktools.com

