

Gas Fired Breakers

Model: CHG7

Parts Manual CHG-Series



Part #CHGE00013

Connect Work Tools - www.connectworktools.com - 920.238.6657

Table of Contents

| | |
|---------------------------------------|----|
| Contact Information | 4 |
| 1.0 Equipment Identification | |
| 1.1 Location of Serial Number | 5 |
| 1.2 Owner's Record of Equipment | 5 |
| 2.0 Decals | 6 |
| 3.0 Base Plates | 8 |
| 4.0 CHG Hammer | |
| 4.1 Hammer | 10 |
| 4.2 Back Head Sub Assembly | 11 |
| 4.3 Cylinder Sub Assembly | 12 |
| 4.4 Front Head Sub Assembly | 14 |
| 4.5 Side Rod Set | 15 |
| 5.0 CHG7 Housing | |
| 5.1 Box Housing | 16 |

Contact Information



Connect Work Tools
155 Main Street
Superior, WI 54880

E-mail: info@connectworktools.com
Main Phone: 920-238-6657
Fax: 715-395-3703

Contact your Connect Work Tools Representative or the Connect Work Tools Parts Department for replacement manuals. Inquiries regarding the content of this manual must include the release date shown below.

Information in this manual is subject to change without advance notice.

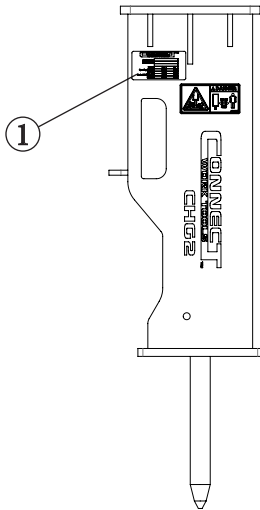
Table 1.1 About this manual

| | |
|----------------------|--------------------|
| Document ID No. | CHGE00013 |
| Type | Parts |
| Release Date | January 2024 |
| Product Name | Gas fired Breakers |
| Series | CHG |
| Applicable Models | CHGE |
| Years of Manufacture | 2024 & above |

1.0 Equipment Identification

1.1 Location of the Serial Number Decal

Models: CHG2/CHG3/CHG6/CHG7/
CHG9/ CHG10/CHG15



The Serial Equipment Identification Decal is affixed to the side of the housing box. It provides the following information:

- Serial Number
- Model
- Part Number
- Weight
- Operating Pressure
- Oil Flow
- Carrier Relief Pressure
- Nitrogen

****Note: Prior to ordering parts, it's important to confirm your model and serial number**

| | | | |
|--------------------------------|-------|--|-----|
| CONNECT™ WORK TOOLS | | | |
| Serial Number: | | | |
| Model Number: | | | |
| Weight: | kg | | lb |
| Operating Pressure: | bar | | psi |
| Oil Flow: | l/min | | gpm |
| Carrier Relief Pressure: | bar | | psi |
| Nitrogen: | bar | | psi |

1.2 Owner's Record of the Equipment

Record the Model and Serial Number from the Serial Equipment Identification Tag to the space provided below. Indicate the date in which the Connect Work Tools equipment was placed into service.

Model CHG2: CHG2
 Model CHG3: CHG3
 Model CHG6: CHG6
 Model CHG7: CHG7
 Model CHG9: CHG9
 Model CHG10: CHG10
 Model CHG15: CHG15

Serial Number: _____

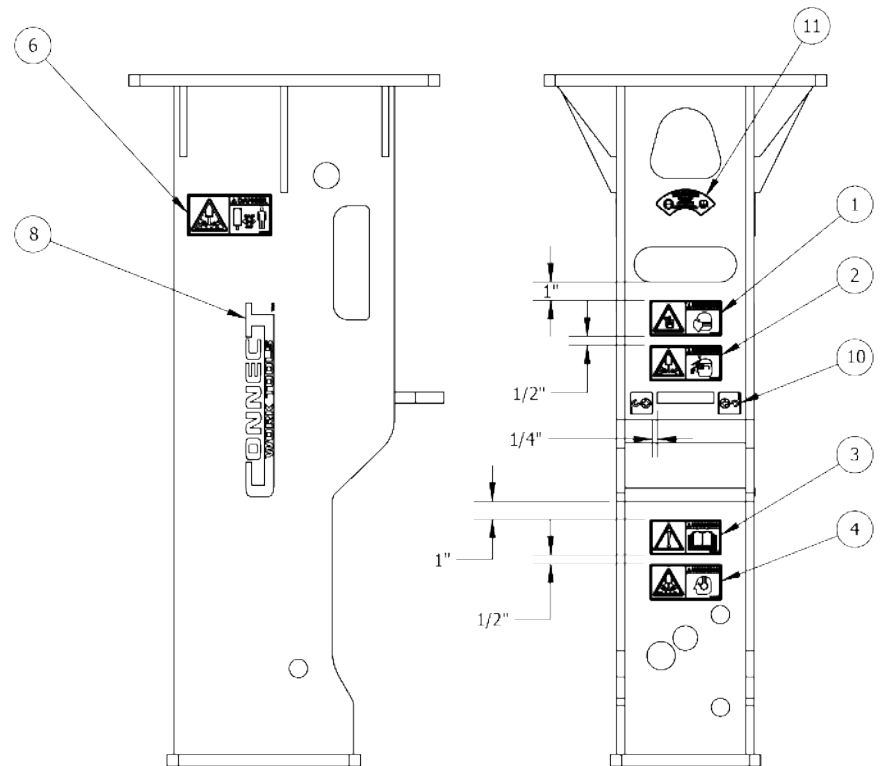
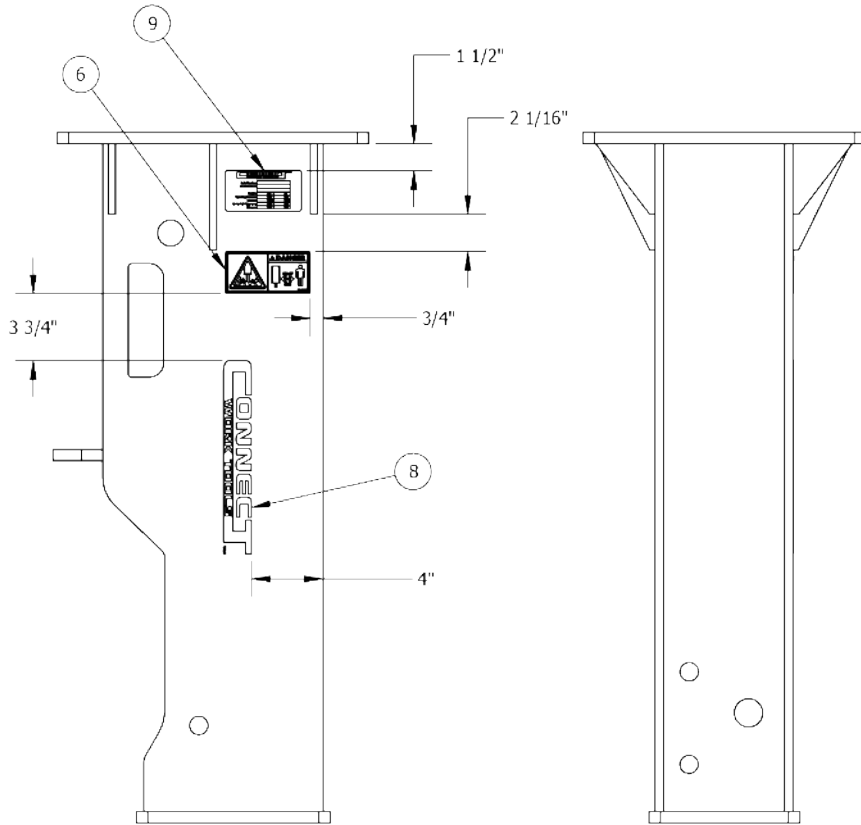
In Service Date: _____

Your Connect Work Tools representative requires this information to better assist you with questions regarding parts, warranty, operation, maintenance, or repair.

Your equipment must be registered by your local Distributor at the time of sale.

Product Registration Date: _____

2.0 Decals



2.0 Decals

All decals pictured are included in decal kits (with exception of No. 10)

2.1 Standard Decals



1. Part Number 16-00076 - Decal Warning Dust



2. Part Number 16-00077 - Decal Warning Flying Objects



3. Part Number 16-00078 - Decal Warning Read Manual



4. Part Number 16-00079 - Decal Warning Noise



5. Part Number 16-00080 - Decal Grease Point



6. Part Number 16-00086 - Decal Warning Safe Distance



7. Part Number CHG00006 - Decal CHG7



8. Part Number CHE00166 - Decal Connect Logo 11" - CHG2/CHG3/CHG6/CHG7
Part Number CHE00109 - Decal Connect Logo 18" - CHG9/CHG10/CHG15



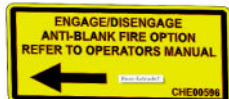
9. Part Number CHE00127 - Decal SN Plate (Not included in Decal Kit)



10. Part Number 16-00082 - Decal Lift Point

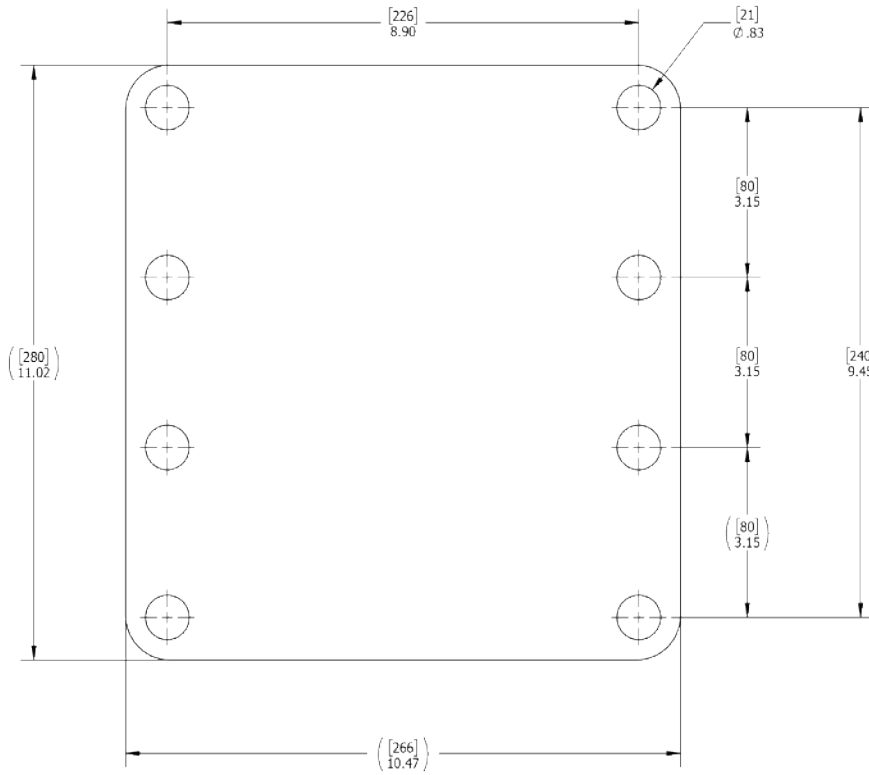


11. Part Number CHE00111 - Decal Warning Nitrogen

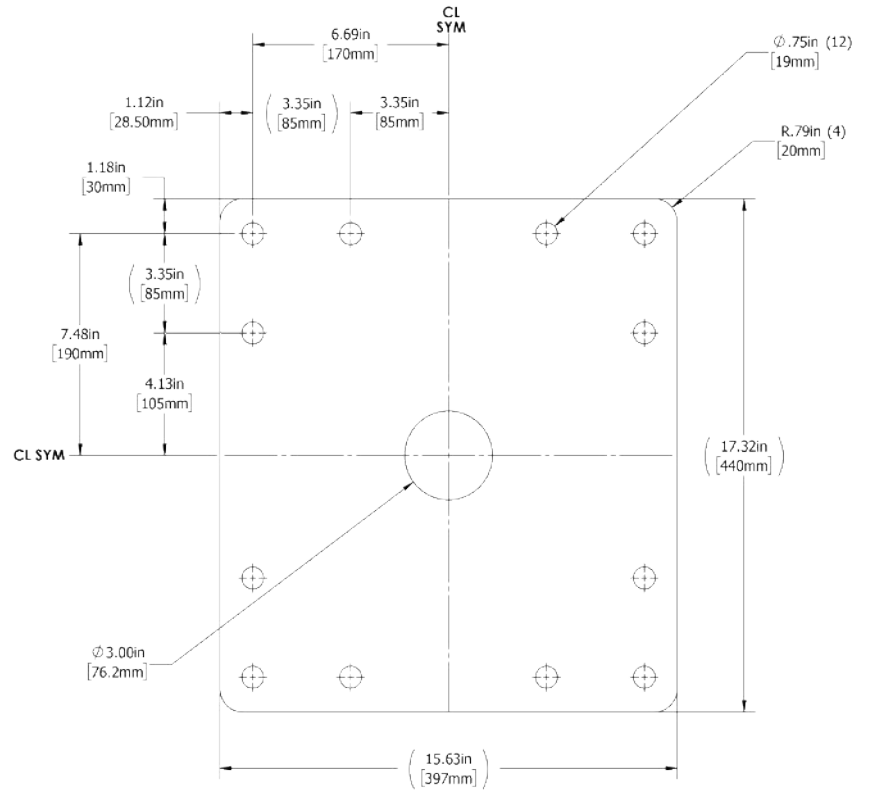


12. Part Number CHE00596 - Decal Warning Anti-Blank Fire

3.0 Base Plates

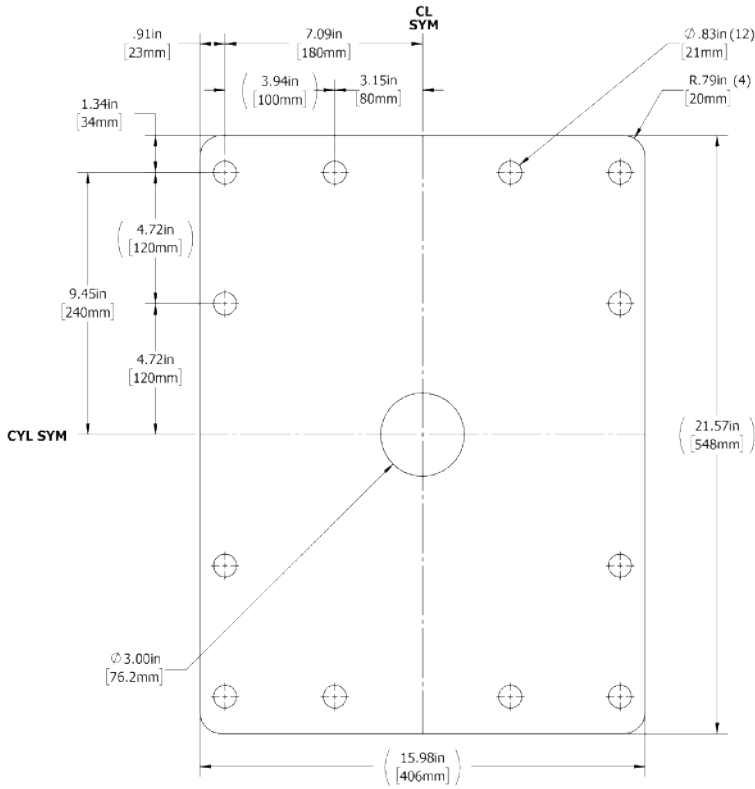


CHGE00101 - CHG2 - BASE PLATE

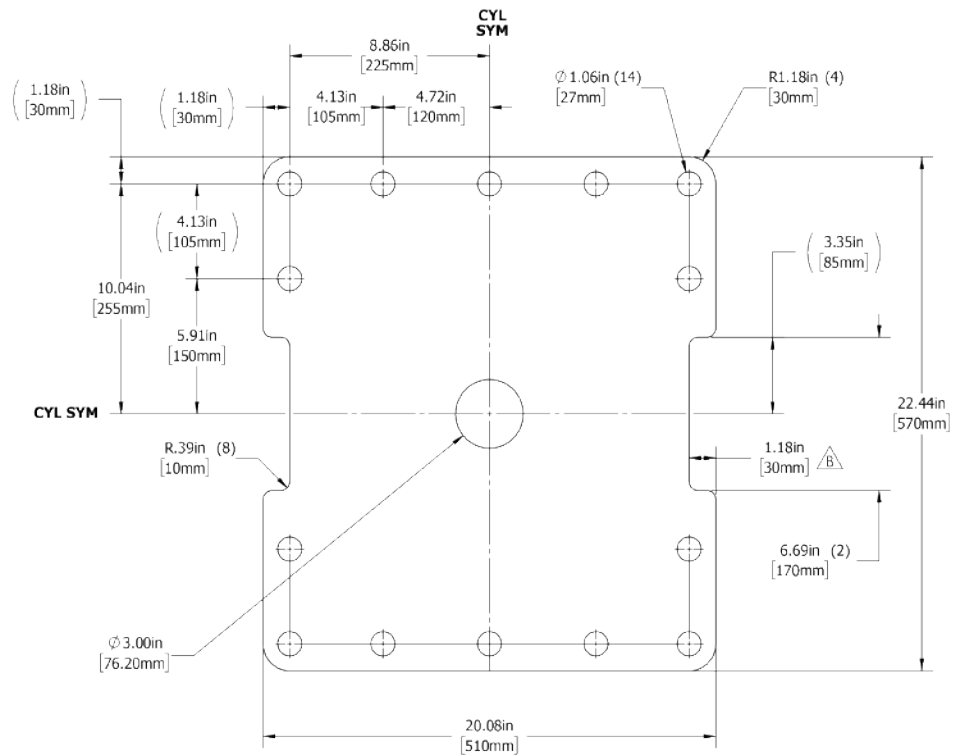


CHE00100 - CHG3/CHG6/CHG7 - BASE PLATE

3.0 Base Plates



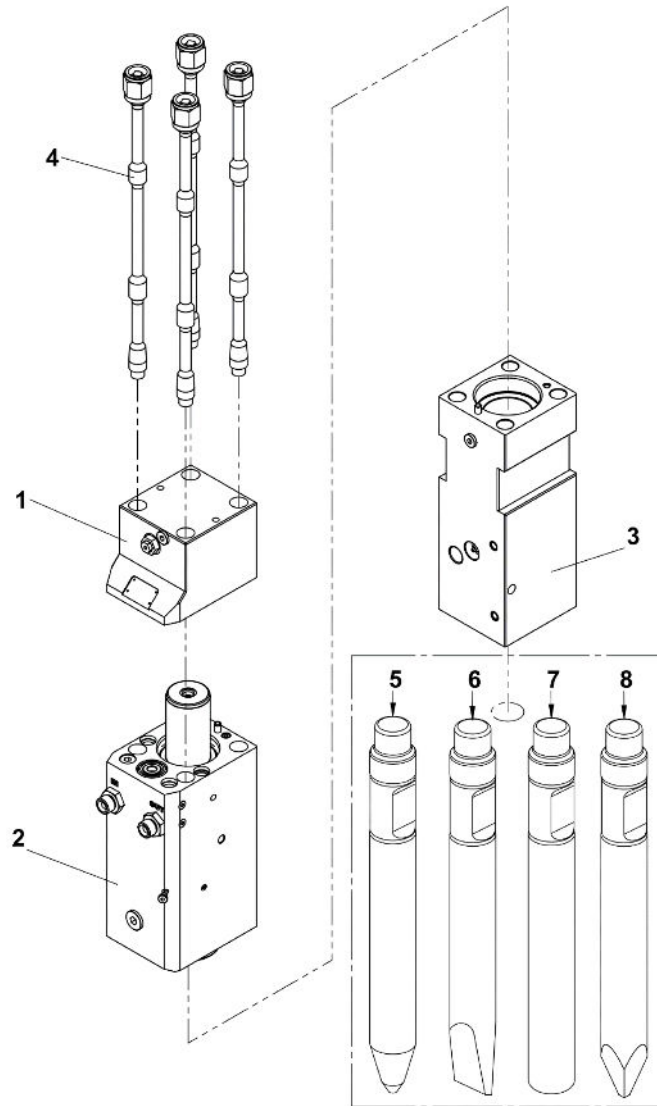
CHE00101 - CHG9/CHG10 - BASE PLATE



CHE00103 - CHG15 - BASE PLATE

4.0 CHG7 Hammer

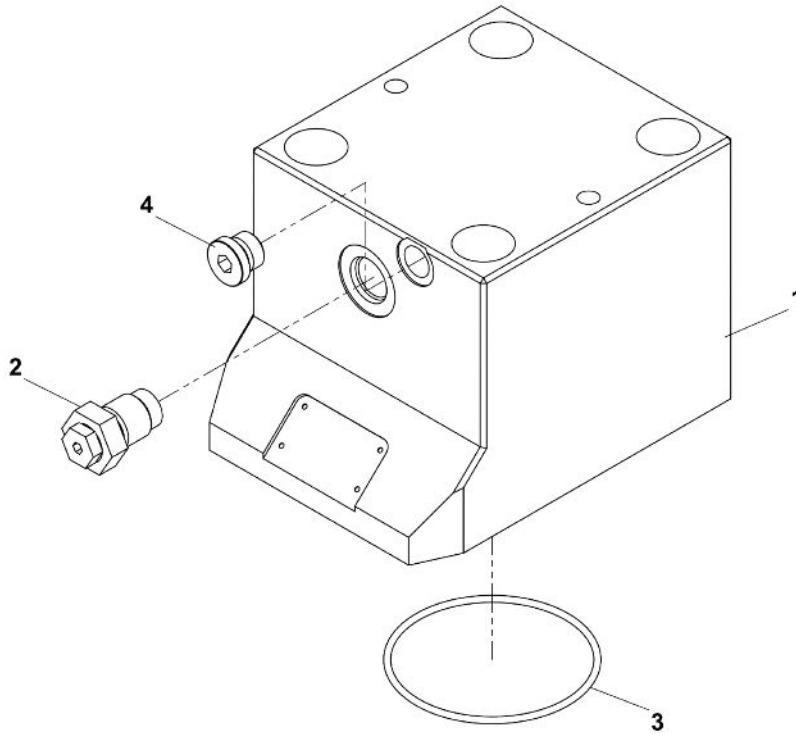
4-1. Hammer



| NO. | PART NO. | PART NAME | QTY | REMARKS |
|-----|------------|--------------------------------|-----|---------|
| | CHG0720000 | HAMMER TOTAL ASSEMBLY | 1 | |
| 1 | CHG0721000 | BACK HEAD SUB ASSEMBLY | 1 | |
| 2 | CHG0722000 | CYLINDER SUB ASSEMBLY | 1 | |
| 3 | CHG0723000 | FRONT HEAD SUB ASSEMBLY | 1 | |
| 4 | CHG0724000 | SIDE ROD SET | 4 | |
| 5 | CHG0725000 | CHG7 CONE | 1 | |
| 6 | CHG0726000 | CHG7 CHISEL | 1 | |
| 7 | CHG0727000 | CHG7 BLUNT | 1 | |
| 8 | CHG0728000 | CHG7 MOIL | 1 | |
| | CHG0730000 | CHG7 SEAL KIT | 1 | |

4.0 CHG7 Hammer

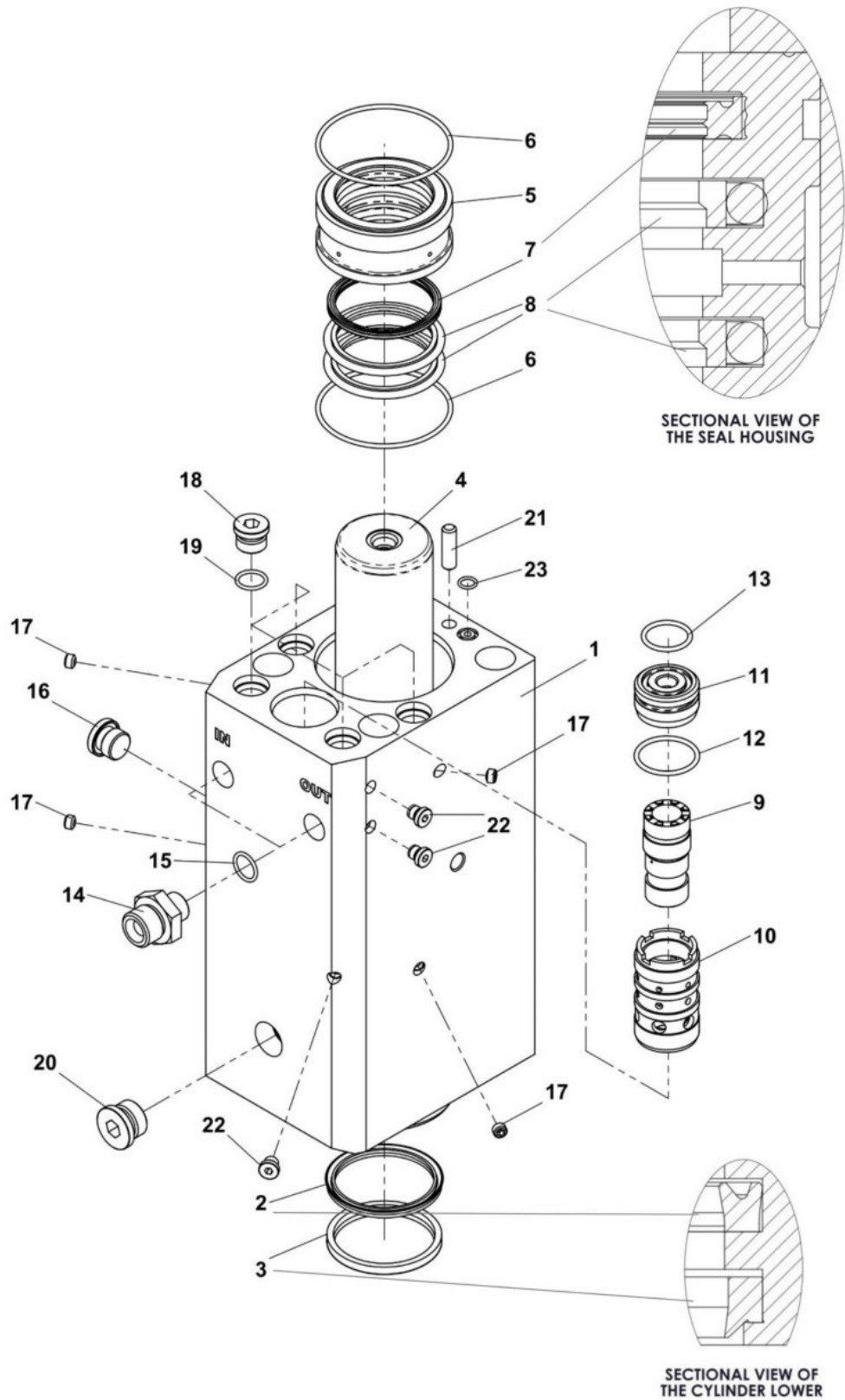
4-2. Back Head Sub Assembly



| NO. | PART NO. | PART NAME | QTY | REMARKS |
|-----|------------|-------------------------------|-----|------------------|
| | CHG0721000 | BACK HEAD SUB ASSEMBLY | 1 | |
| 1 | CHG0721001 | CHG7 BACK HEAD | 1 | |
| 2 | CHG0201003 | GAS CHARGING VALVE ASSEMBLY | 1 | |
| 3 | CHG0721003 | O-RING | 1 | PART OF SEAL KIT |
| 4 | CHG0721004 | PLUG | 1 | |

4.0 CHG7 Hammer

4-3. Cylinder Sub Assembly

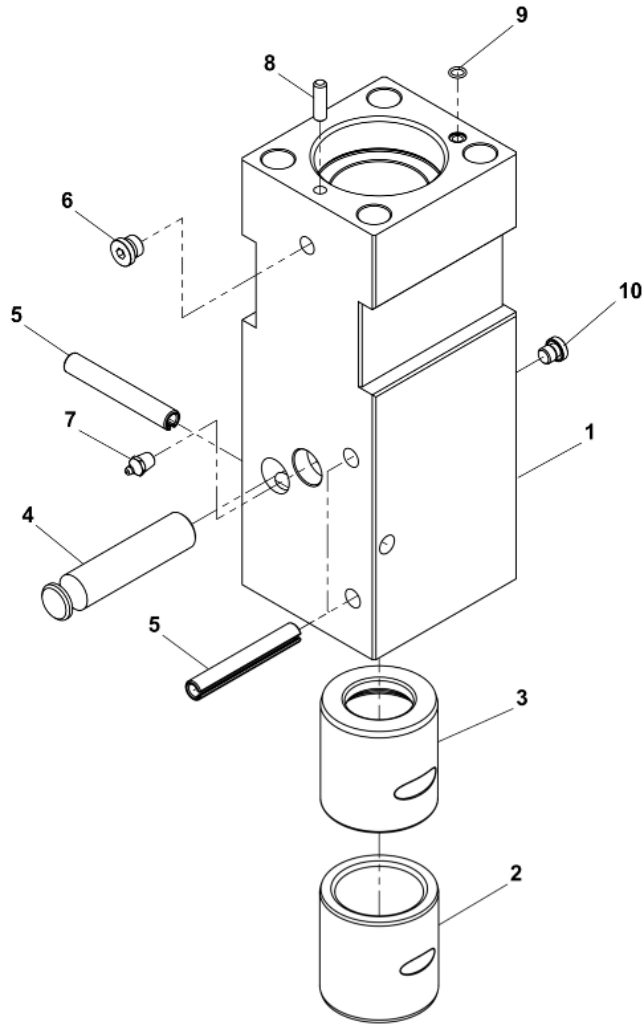


4.0 CHG7 Hammer

| NO. | PART NO. | PART NAME | QTY | REMARKS |
|-----|------------|------------------------------|-----|------------------|
| | CHG0722000 | CYLINDER SUB ASSEMBLY | 1 | |
| 1 | CHG0722001 | CHG7 CYLINDER | 1 | |
| 2 | CHG0722002 | U-PACKING | 1 | PART OF SEAL KIT |
| 3 | CHG0722003 | WIPER | 1 | PART OF SEAL KIT |
| 4 | CHG0722004 | CHG7 PISTON | 1 | |
| 5 | CHG0722005 | CHG7 SEAL HOUSING | 1 | |
| 6 | CHG0721003 | O-RING | 2 | PART OF SEAL KIT |
| 7 | CHG0722007 | GAS SEAL | 1 | PART OF SEAL KIT |
| 8 | CHG0722008 | STEP SEAL | 2 | PART OF SEAL KIT |
| 9 | CHG0722009 | OPER V/V COVER | 1 | |
| 10 | CHG0722010 | OPER V/V GUIDE | 1 | |
| 11 | CHG0722011 | OPER V/V SPOOL | 1 | |
| 12 | CHG0722012 | O-RING | 1 | PART OF SEAL KIT |
| 13 | CHG0722013 | O-RING | 1 | PART OF SEAL KIT |
| 14 | CHG0722024 | ADAPTER | 2 | PF 3/4" - OPTION |
| 15 | CHG0722026 | O-RING | 2 | OPTION |
| 16 | CHG0722016 | SOCKET PLUG | 1 | |
| 17 | CHG0722017 | SET SCREW | 4 | |
| 18 | CHG0722018 | SOCKET PLUG | 4 | |
| 19 | CHG0722019 | O-RING | 4 | PART OF SEAL KIT |
| 20 | CHG0602014 | SOCKET PLUG | 1 | |
| 21 | CHG0600011 | GUIDE PIN | 1 | |
| 22 | CHG0602013 | SOCKET PLUG | 3 | |
| 23 | CHG0722023 | O-RING | 1 | PART OF SEAL KIT |

4.0 CHG7 Hammer

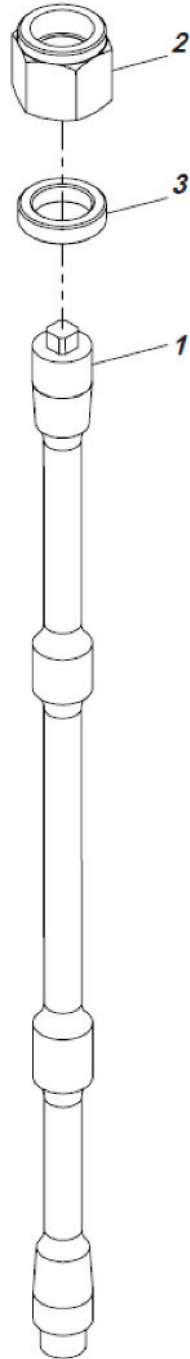
4-4. Front Head Sub Assembly



| NO. | PART NO. | PART NAME | QTY | REMARKS |
|-----|------------|--------------------------------|-----|------------------|
| | CHG0723000 | FRONT HEAD SUB ASSEMBLY | 1 | |
| 1 | CHG0723001 | CHG7 FRONT HEAD | 1 | |
| 2 | CHG0723002 | CHG7 TOOL BUSHING | 1 | |
| 3 | CHG0723003 | CHG7 THRUST RING | 1 | |
| 4 | CHG0723004 | CHG7 TOOL PIN | 1 | |
| 5 | CHG0603006 | SPRING PIN | 3 | |
| 6 | CHG0721004 | SOCKET PLUG | 1 | |
| 7 | CHG0203004 | GREASE NIPPLE | 1 | |
| 8 | CHG0203007 | GUIDE PIN | 1 | |
| 9 | CHG0202011 | SOCKET PLUG | 1 | PART OF SEAL KIT |
| 10 | CHG0923005 | SPRING PIN | 1 | |

4.0 CHG7 Hammer

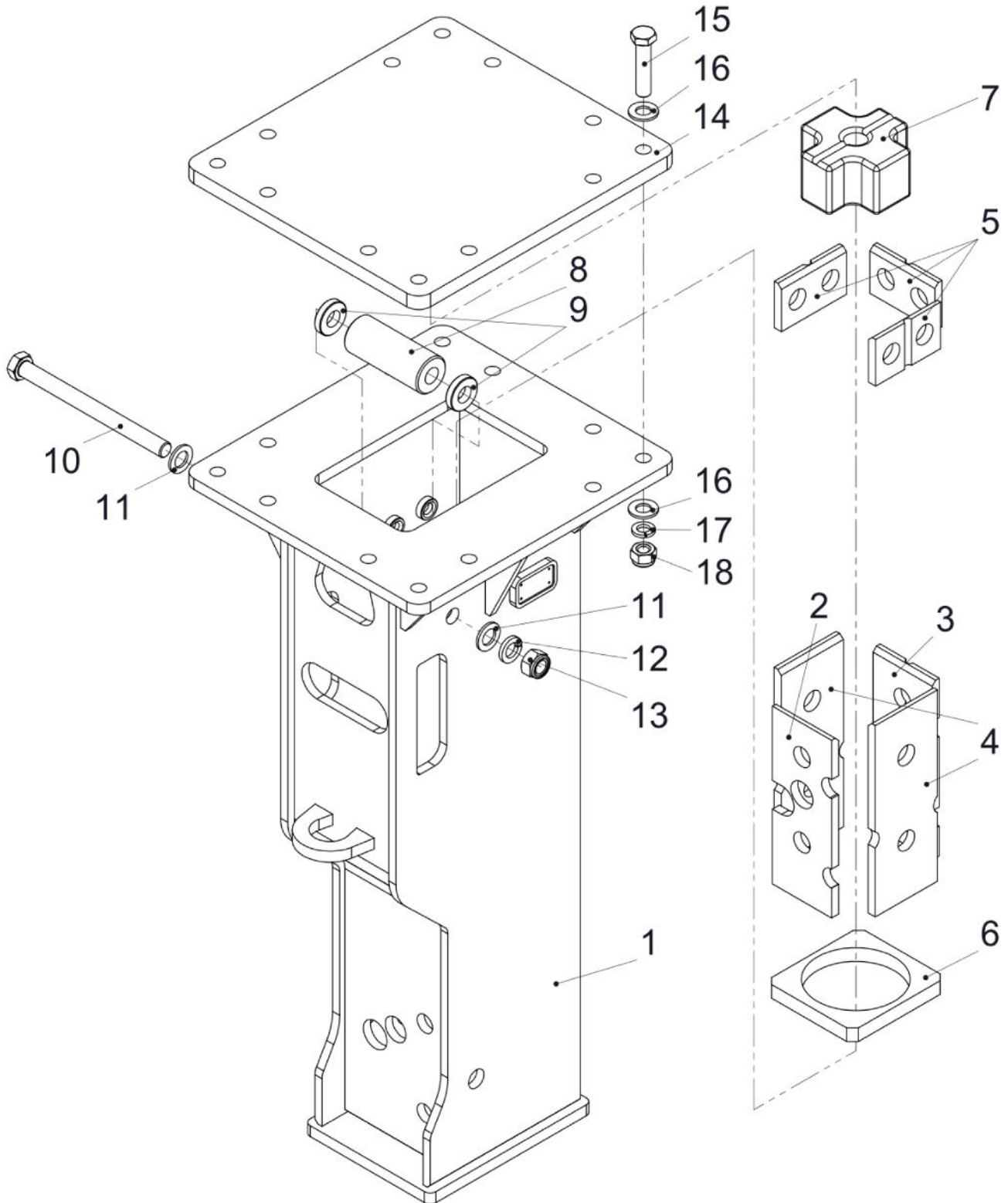
4-5. Side Rod Set



| NO. | PART NO. | PART NAME | QTY | REMARKS |
|-----|------------|---------------------|-----|---------|
| | CHG0704000 | SIDE ROD SET | 4 | |
| 1 | CHG0724001 | CHG7 SIDE ROD | 4 | |
| 2 | CHG0724002 | CHG7 SIDE ROD NUT | 4 | |
| 3 | CHG0724003 | CHG7 SIDE ROD NUT | 4 | |

5.0 CHG7 Housing

5-1. Box Housing



5.0 CHG7 Housing

| NO. | PART NO. | PART NAME | QTY | REMARKS |
|-----|------------|-------------------------------|-----|---------|
| | CHG0758000 | HOUSING TOTAL ASSEMBLY | 1 | |
| 1 | CHG0725001 | HOUSING WELD ASSEMBLY | 1 | |
| 2 | CHG0751003 | WEARING PLATE | 1 | |
| 3 | CHG0751004 | WEARING PLATE | 1 | |
| 4 | CHG0751005 | WEARING PLATE | 2 | |
| 5 | CHG0751006 | WEARING PLATE | 3 | |
| 6 | CHG0751007 | BASE BUFFER | 1 | |
| 7 | CHG0654005 | TOP BUFFER | 1 | |
| 8 | CHG0751014 | SIDE BUFFER | 1 | |
| 9 | CHG0751013 | SIDE WASHER | 2 | |
| 10 | CHG0751015 | HEX BOLT | 1 | |
| 11 | CHG0751018 | PLAIN WASHER | 2 | |
| 12 | CHG0751017 | SPRING WASHER | 1 | |
| 13 | CHG0751016 | NYLON LOCK NUT | 1 | |
| 14 | CHG0654011 | TOP COVER PLATE | 1 | OPTION |
| 15 | CHG0654012 | HEX. BOLT | 12 | |
| 16 | CHG0751009 | PLAIN WASHER | 24 | |
| 17 | CHG0751011 | SPRING WASHER | 12 | |
| 18 | CHG0751012 | NYLON LOCK NUT | 12 | |



CHG Series Gas Fired Hammers Limited Warranty

Connect Work Tools offers this warranty to owners of new Connect Work Tools equipment that, after delivery and placement into service by the first user, the authorized Connect Work Tools Distributor in whose service area the product is operated will repair or replace any part that fails because of defects in material or workmanship. Connect Work Tools warranty covers new or original equipment only. This warranty does not apply to used equipment, that has been in service beyond the new product warranty period.

STANDARD RATE SCHEDULE

The following rate schedule is in effect and will be applied when evaluating and processing all related requests.

Warranty Coverage:

CHG2 - CHG3 - CHG6 - CHG7 - CHG9 - CHG10 - CHG15

| Months | Parts | Labor |
|--------|-----------|-----------|
| 0-12 | No Change | No Change |

Connect Work Tools guarantees that the product shall be free from defects in materials or workmanship for a period of 12 months of installation date or 18 months from invoice date, whatever comes first.

Before submitting a warranty claim, make sure the attachment qualifies and meets the guidelines for warranty consideration.

Prior to performing a warranty action and submitting Connect Work Tools warranty claim the distributor must obtain pre-approval and a warranty claim number.

Contact the Connect Work Tools Customer Service Department at: 920-238-6657 or Email: service@connectworktools.com

CONNECTTM
WORK TOOLS

920.238.6657

www.connectworktools.com

