

Gas Fired Breakers

Model: CHG3

Parts Manual CHG-Series



Part #CHGE00011

Connect Work Tools - www.connectworktools.com - 920.238.6657

Table of Contents

Contact Information	4
1.0 Equipment Identification	
1.1 Location of Serial Number	5
1.2 Owner's Record of Equipment	5
2.0 Decals	6
3.0 Base Plates	8
4.0 CHG3 Hammer	
4.1 Hammer	10
4.2 Back Head Sub Assembly	11
4.3 Cylinder Sub Assembly	12
4.4 Front Head Sub Assembly	14
4.5 Side Rod Set	15
5.0 CHG3 Housing	
5.1 Box Housing	16

Contact Information



Connect Work Tools
155 Main Street
Superior, WI 54880

E-mail: info@connectworktools.com
Main Phone: 920-238-6657
Fax: 715-395-3703

Contact your Connect Work Tools Representative or the Connect Work Tools Parts Department for replacement manuals. Inquiries regarding the content of this manual must include the release date shown below.

Information in this manual is subject to change without advance notice.

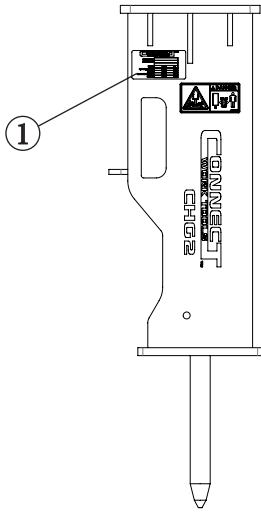
Table 1.1 About this manual

Document ID No.	CHGE00011
Type	Parts
Release Date	January 2024
Product Name	Gas fired Breakers
Series	CHG
Applicable Models	CHGE
Years of Manufacture	2024 & above

1.0 Equipment Identification

1.1 Location of the Serial Number Decal

Models: CHG2/CHG3/CHG6/CHG7/
CHG9/ CHG10/CHG15



The Serial Equipment Identification Decal is affixed to the side of the housing box. It provides the following information:

- Serial Number
- Model
- Part Number
- Weight
- Operating Pressure
- Oil Flow
- Carrier Relief Pressure
- Nitrogen

****Note: Prior to ordering parts, it's important to confirm your model and serial number**

CONNECT™ WORK TOOLS			
Serial Number:	<input type="text"/>		
Model Number:	<input type="text"/>		
Weight:	<input type="text"/>	kg	<input type="text"/>
Operating Pressure:	<input type="text"/>	bar	<input type="text"/>
Oil Flow:	<input type="text"/>	l/min	<input type="text"/>
Carrier Relief Pressure:	<input type="text"/>	bar	<input type="text"/>
Nitrogen:	<input type="text"/>	bar	<input type="text"/>

1.2 Owner's Record of the Equipment

Record the Model and Serial Number from the Serial Equipment Identification Tag to the space provided below. Indicate the date in which the Connect Work Tools equipment was placed into service.

Model CHG2: CHG2
 Model CHG3: CHG3
 Model CHG6: CHG6
 Model CHG7: CHG7
 Model CHG9: CHG9
 Model CHG10: CHG10
 Model CHG15: CHG15

Serial Number: _____

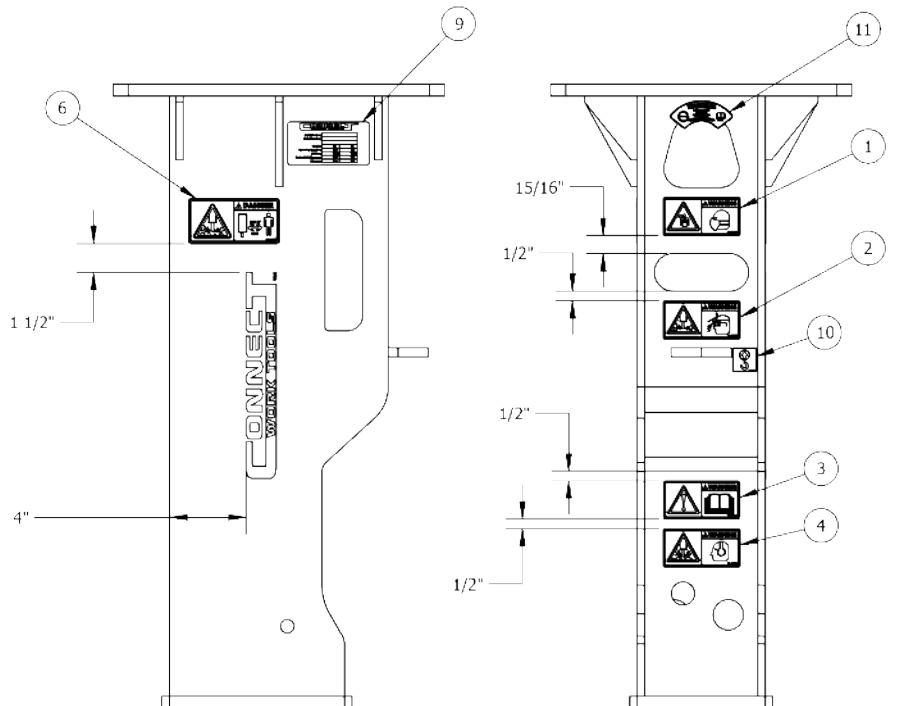
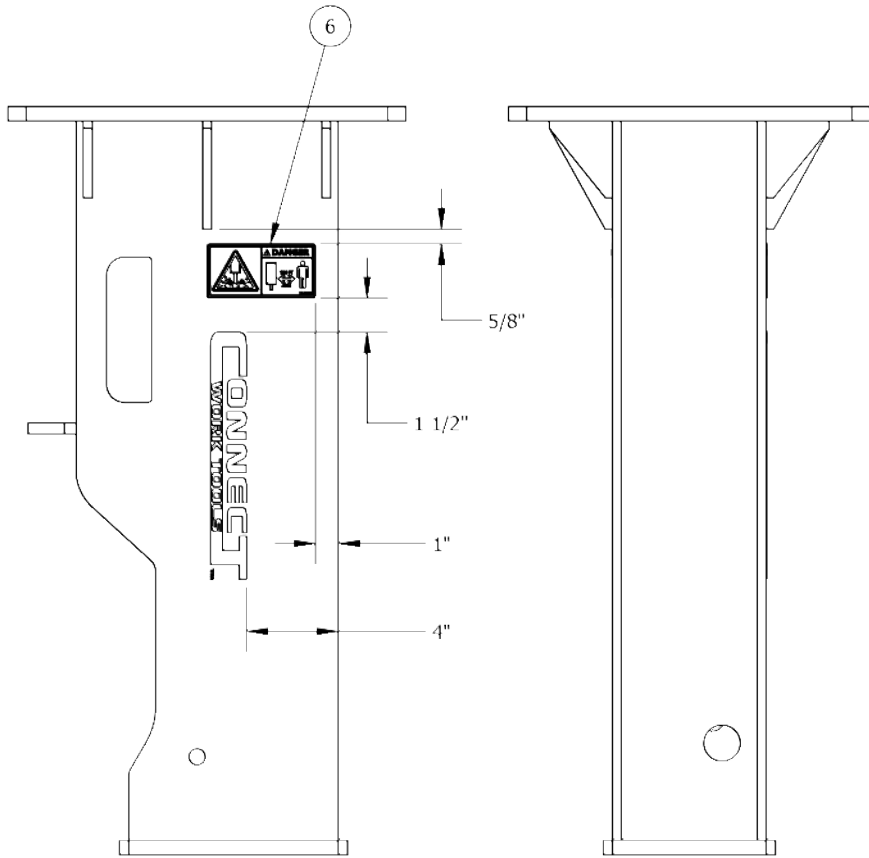
In Service Date: _____

Your Connect Work Tools representative requires this information to better assist you with questions regarding parts, warranty, operation, maintenance, or repair.

Your equipment must be registered by your local Distributor at the time of sale.

Product Registration Date: _____

2.0 Decals



2.0 Decals

All decals pictured are included in decal kits (with exception of No. 10)

2.1 Standard Decals



1. Part Number 16-00076 - Decal Warning Dust



2. Part Number 16-00077 - Decal Warning Flying Objects



3. Part Number 16-00078 - Decal Warning Read Manual



4. Part Number 16-00079 - Decal Warning Noise



5. Part Number 16-00080 - Decal Grease Point



6. Part Number 16-00086 - Decal Warning Safe Distance



7. Part Number CHG00004 - Decal CHG3



8. Part Number CHE00166 - Decal Connect Logo 11" - CHG2/CHG3/CHG6/CHG7
Part Number CHE00109 - Decal Connect Logo 18" - CHG9/CHG10/CHG15



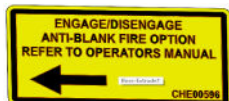
9. Part Number CHE00127 - Decal SN Plate (Not included in Decal Kit)



10. Part Number 16-00082 - Decal Lift Point

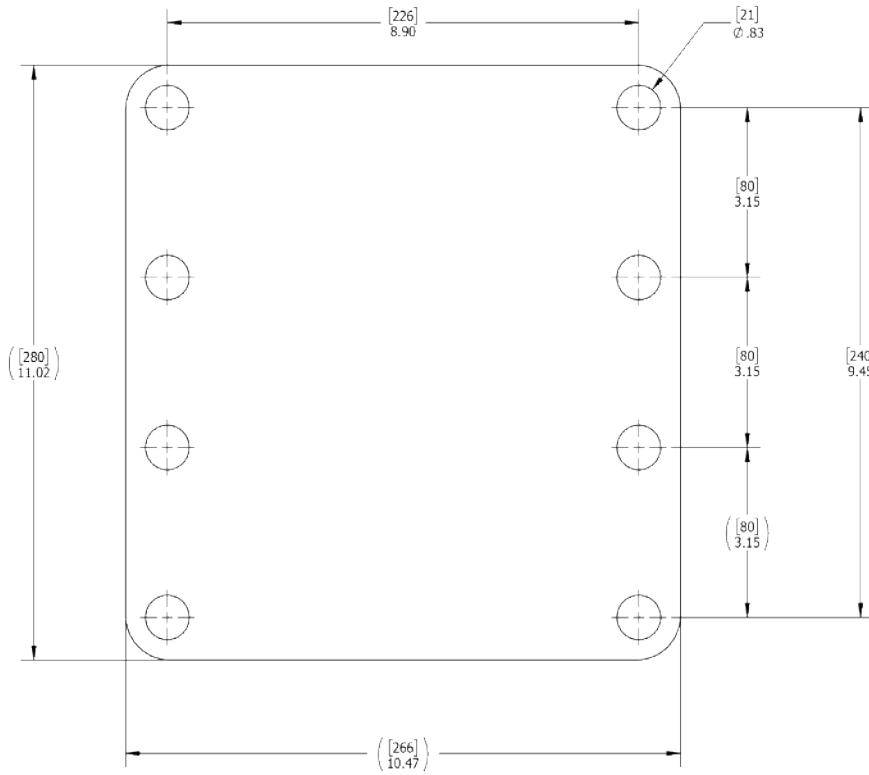


11. Part Number CHE00111 - Decal Warning Nitrogen

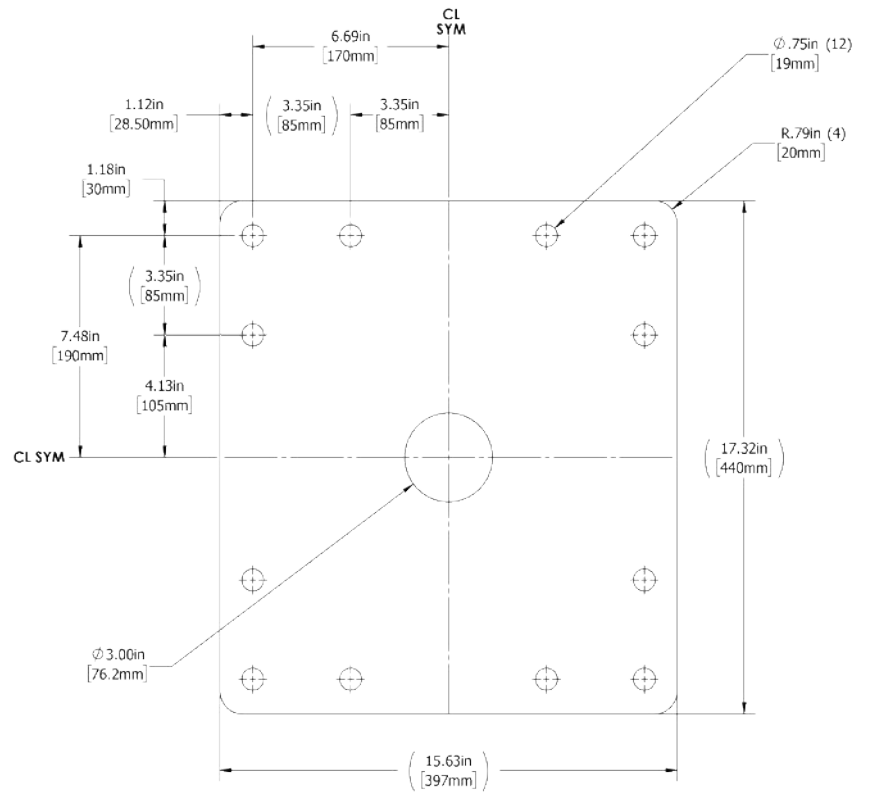


12. Part Number CHE00596 - Decal Warning Anti-Blank Fire

3.0 Base Plates

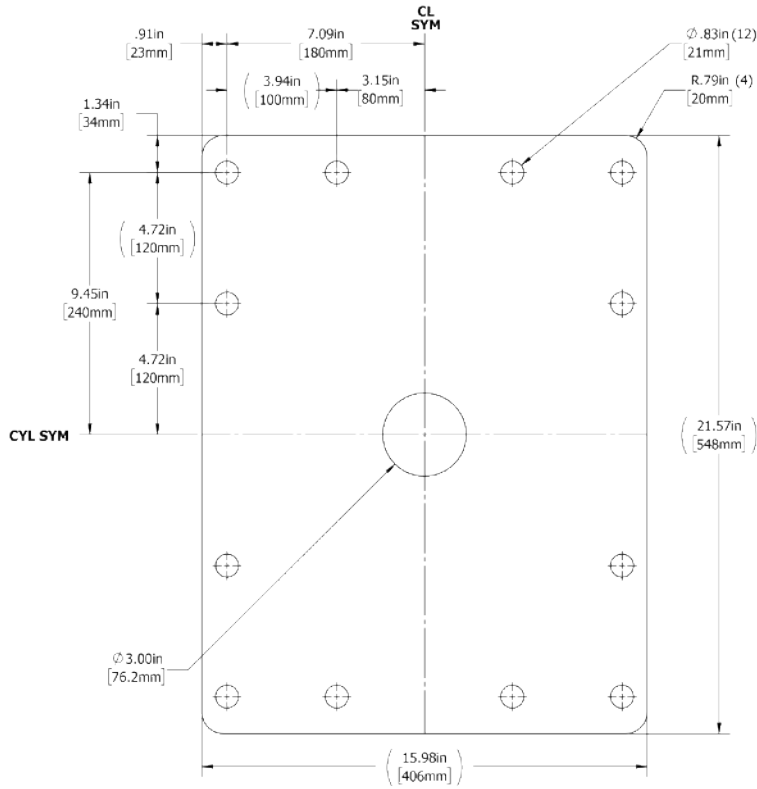


CHGE00101 - CHG2 - BASE PLATE

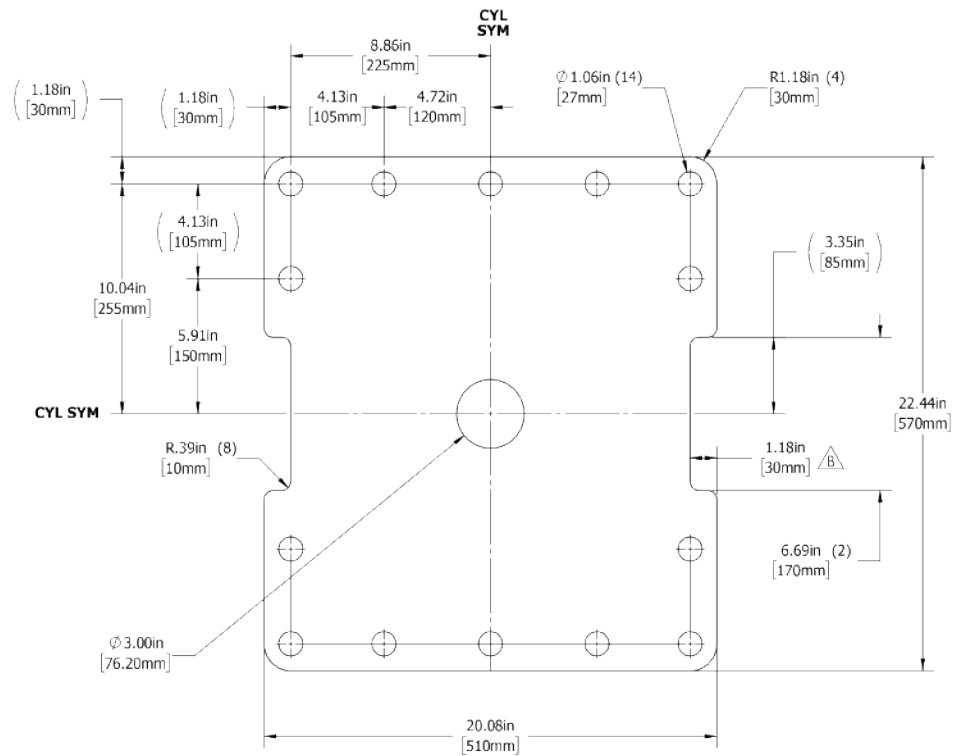


CHE00100 - CHG3/CHG6/CHG7 - BASE PLATE

3.0 Base Plates



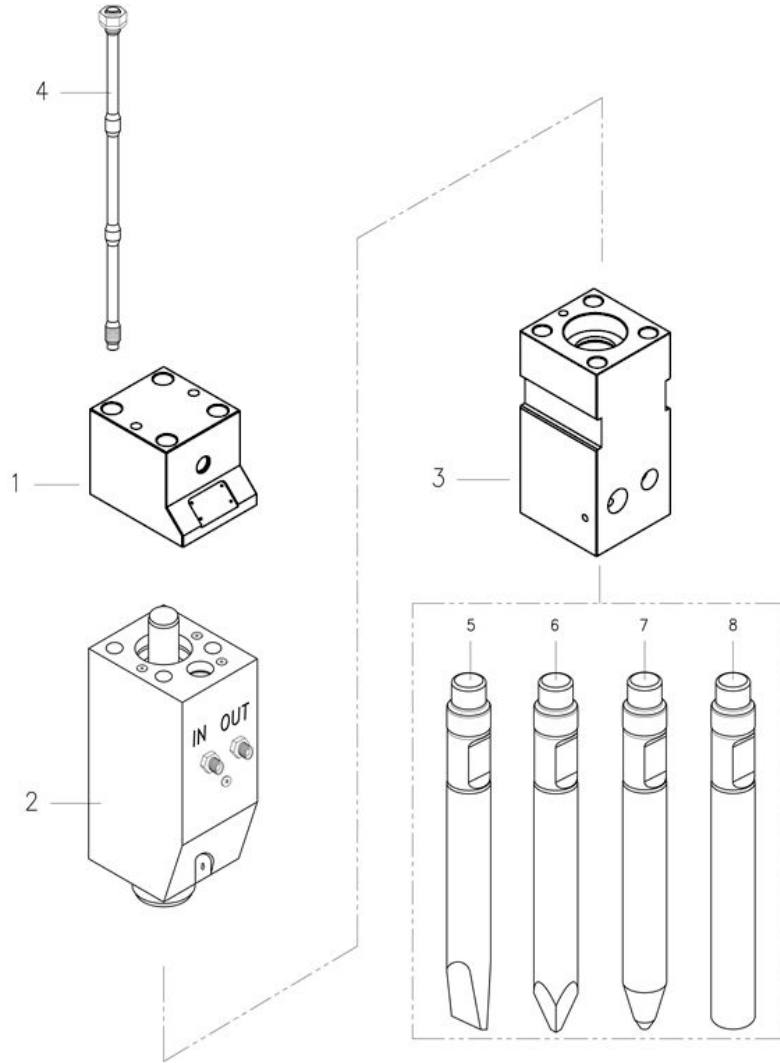
CHE00101 - CHG9/CHG10 - BASE PLATE



CHE00103 - CHG15 - BASE PLATE

4.0 CHG3 Hammer

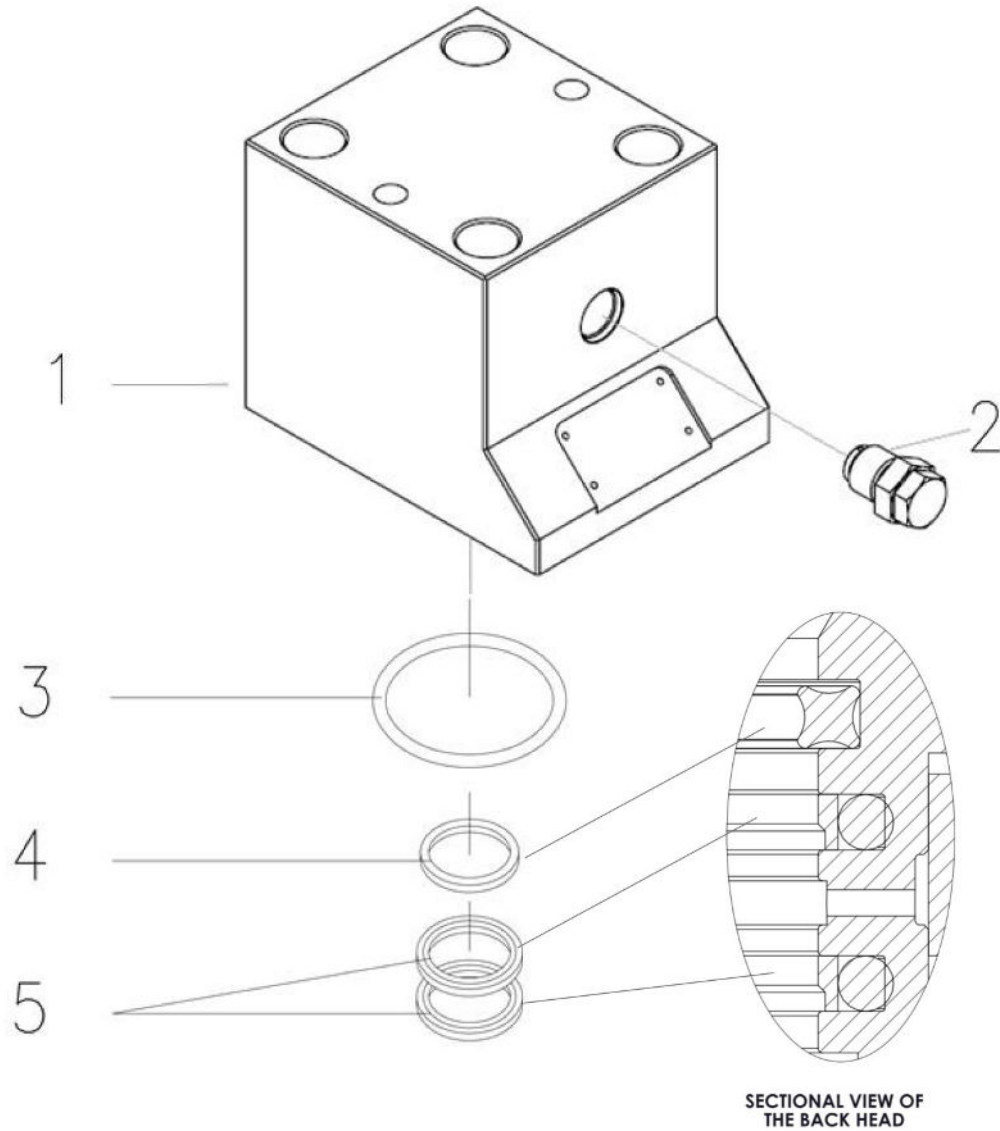
4-1. Hammer



NO.	PART NO.	PART NAME	QTY	REMARKS
	CHG0300000	HAMMER TOTAL ASSEMBLY	1	
1	CHG0301000	BACK HEAD SUB ASSEMBLY	1	
2	CHG0302000	CYLINDER SUB ASSEMBLY	1	
3	CHG0303000	FRONT HEAD SUB ASSEMBLY	1	
4	CHG0304000	SIDE ROD SET	4	
5	CHG0305000	CHG3 CHISEL	1	
6	CHG0306000	CHG3 MOIL	1	
7	CHG0307000	CHG3 CONE	1	
8	CHG0308000	CHG3 BLUNT	1	
	CHG0310000	CHG3 SEAL KIT	1	

4.0 CHG3 Hammer

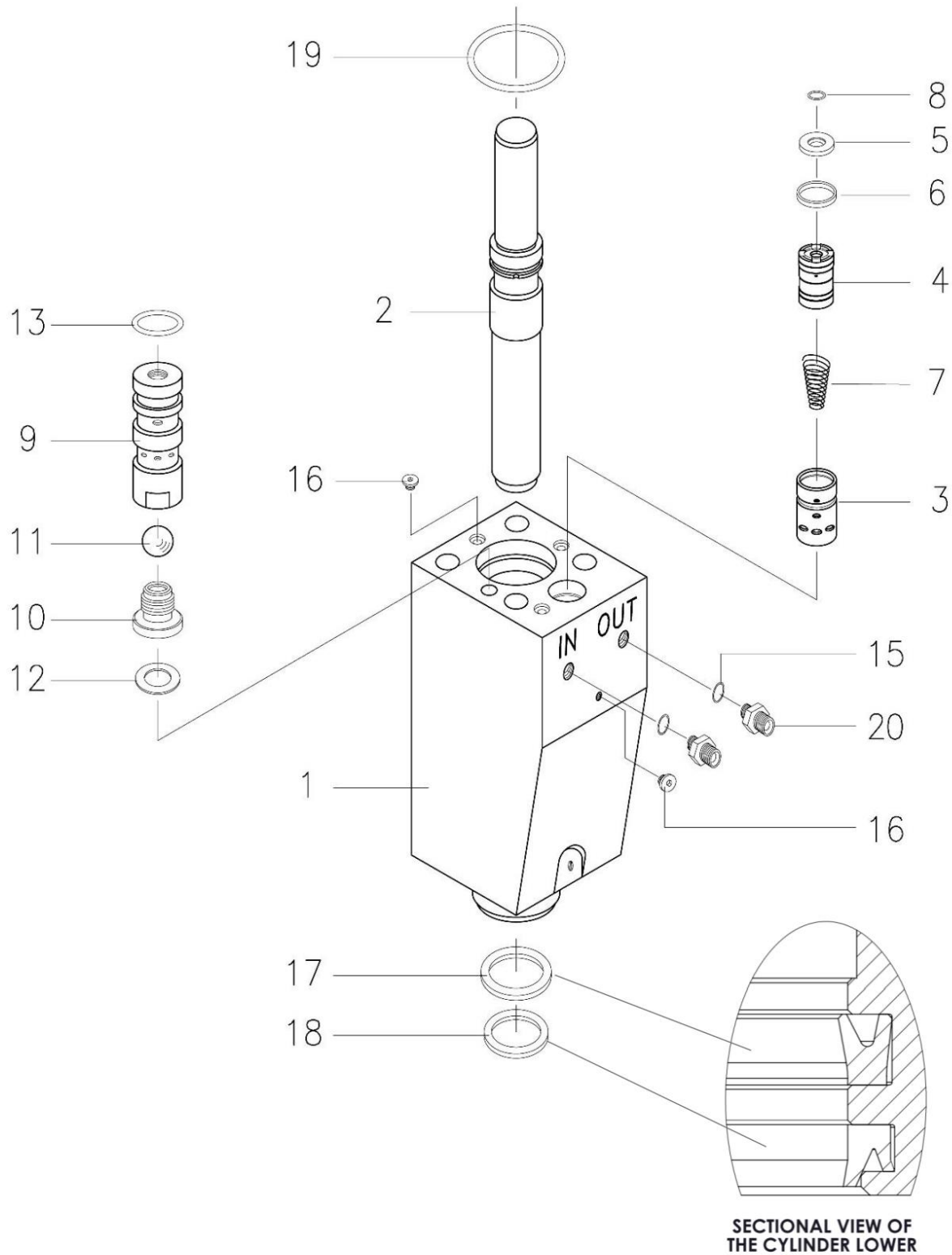
4-2. Back Head Sub Assembly



NO.	PART NO.	PART NAME	QTY	REMARKS
	CHG0301000	BACK HEAD SUB ASSEMBLY	1	
1	CHG0301001	CHG3BACK HEAD	1	
2	CHG0201003	GAS CHARGING V/V ASS'Y	1	
3	CHG0301003	O-RING	1	PART OF SEAL KIT
4	CHG0301004	GAS SEAL	1	PART OF SEAL KIT
5	CHG0301005	STEP SEAL	2	PART OF SEAL KIT

4.0 CHG3 Hammer

4-3. Cylinder Sub Assembly

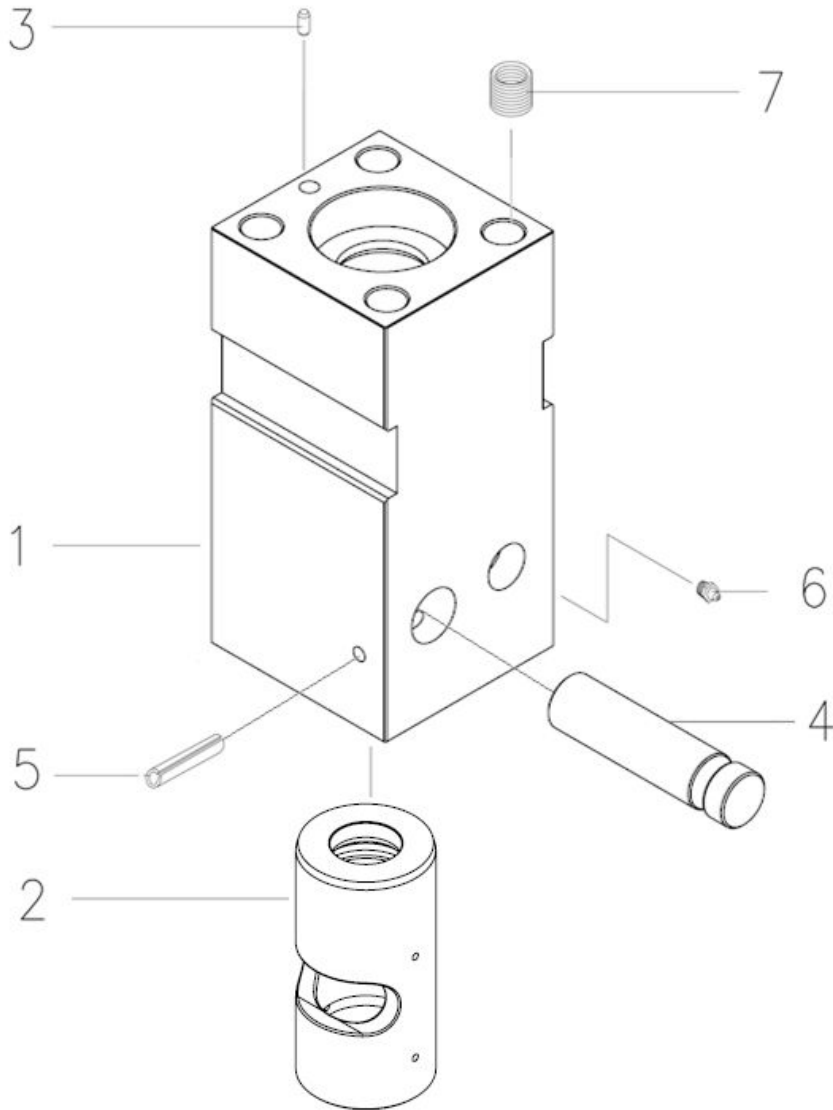


4.0 CHG3 Hammer

NO.	PART NO.	PART NAME	QTY	REMARKS
	CHG0302000	CYLINDER SUB ASSEMBLY	1	
1	CHG0302001	CHG3 CYLINDER	1	
2	CHG0302002	CHG3 PISTON	1	
3	CHG0302003	OPER. V/V SPOOL GUIDE	1	
4	CHG0302004	OPER. V/V SPOOL	1	
5	CHG0302005	OPER. V/V SPOOL COVER	1	
6	CHG0302006	STATIC SEAL	1	PART OF SEAL KIT
7	CHG0302007	OPER. V/V SPRING	1	
8	CHG0302008	O-RING	1	PART OF SEAL KIT
9	CHG0302009	SHUTTLE V/V	1	
10	CHG0302010	HOLLOW SCREW	1	
11	CHG0302011	BALL	1	
12	CHG0302012	SHIM PLATE	1	
13	CHG0302013	O-RING	1	PART OF SEAL KIT
15	CHG0202013	O-RING	2	OPTION
16	CHG0202011	SOCKET PLUG	4	
17	CHG0302017	O-RING	1	PART OF SEAL KIT
18	CHG0302018	U-PACKING	1	PART OF SEAL KIT
19	CHG0301003	WIPER	1	PART OF SEAL KIT
20	CHG0302020	ADAPTER	2	PF 1/2" - OPTION

4.0 CHG3 Hammer

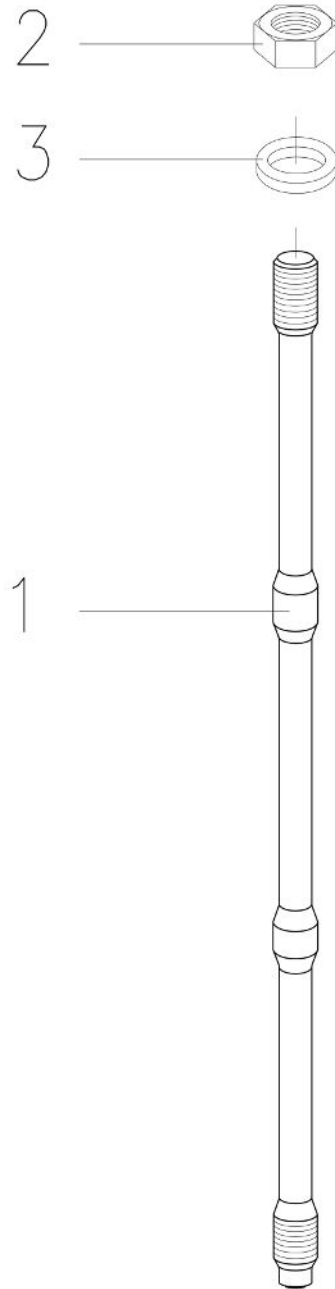
4-4. Front Head Sub Assembly



NO.	PART NO.	PART NAME	QTY	REMARKS
	CHG0303000	FRONT HEAD SUB ASSEMBLY	1	
1	CHG0303001	CHG3 FRONT HEAD	1	
2	CHG0303002	CHG3 TOOL BUSHING	1	
3	CHG0303007	HELICOIL	1	
4	CHG0303004	CHG3 TOOL PIN	1	
5	CHG0303005	SPRING PIN	1	
6	CHG0203004	GREASE NIPPLE	1	
7	CHG0303007	HELICOIL	4	

4.0 CHG3 Hammer

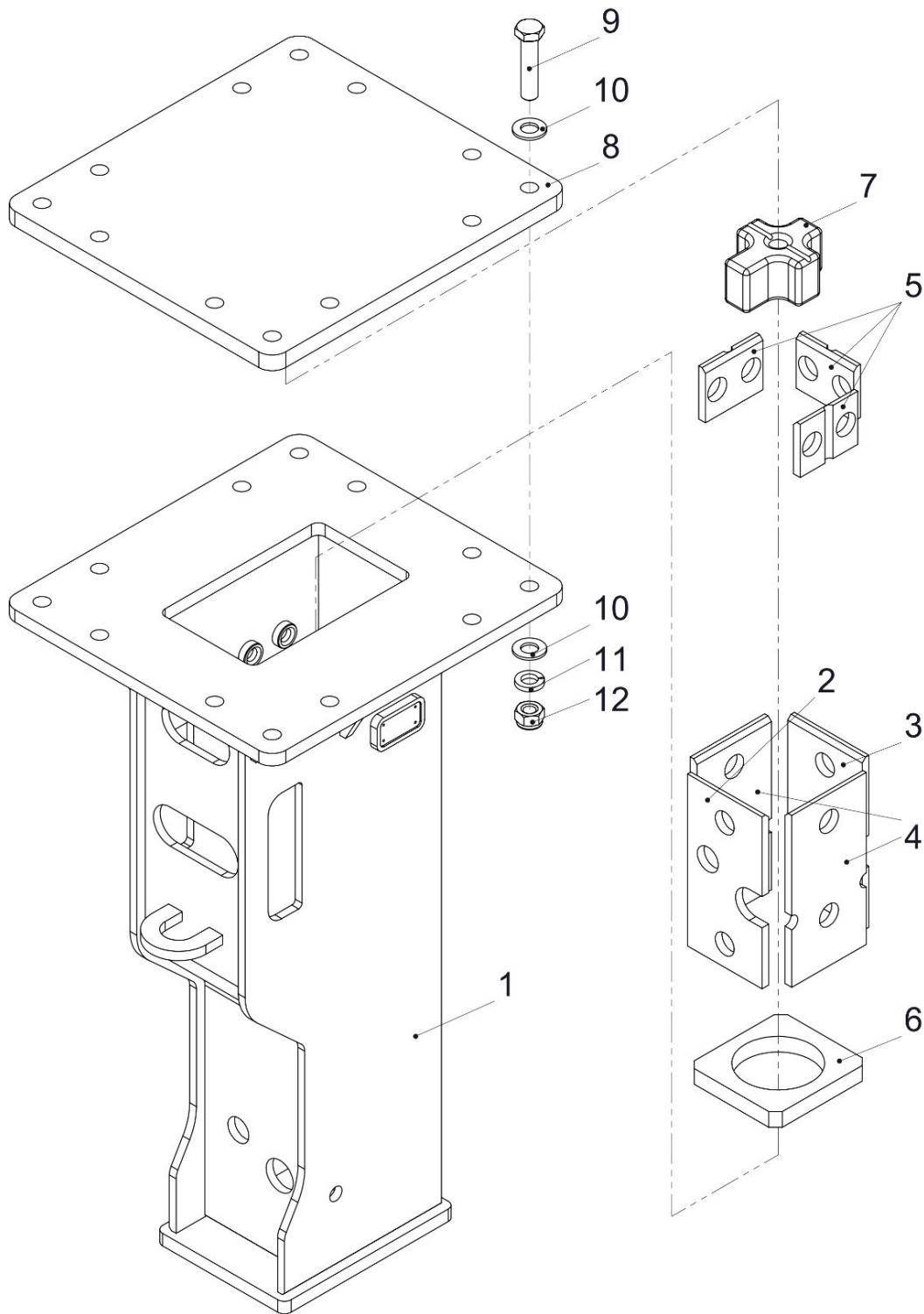
4-5. Side Rod Set



NO.	PART NO.	PART NAME	QTY	REMARKS
	CHG0304000	SIDE ROD SET	4	
1	CHG0304001	CHG3 SIDE ROD	4	
2	CHG0304002	CHG3 SIDE ROD NUT	4	
3	CHG0304003	CHG3 SIDE ROD WASHER	4	

5.0 CHG3 Housing

5-1. Box Housing



5.0 CHG3 Housing

NO.	PART NO.	PART NAME	QTY	REMARKS
	CHG0354000	HOUSING TOTAL ASSEMBLY	1	
1	CHG0354001	HOUSING WELD ASSEMBLY	1	
2	CHG0351004	WEARING PLATE	1	
3	CHG0351005	WEARING PLATE	1	
4	CHG0351006	WEARING PLATE	2	
5	CHG0351007	WEARING PLATE	3	
6	CHG0351003	BASE BUFFER	1	
7	CHG0351008	TOP BUFFER	1	
8	CHG0351002	TOP COVER PLATE	1	OPTION
9	CHG0352006	HEX. BOLT	12	
10	CHG0351010	PLAIN WASHER	24	
11	CHG0351011	SPRING WASHER	12	
12	CHG0351012	NYLON LOCK NUT	12	



CHG Series Gas Fired Hammers Limited Warranty

Connect Work Tools offers this warranty to owners of new Connect Work Tools equipment that, after delivery and placement into service by the first user, the authorized Connect Work Tools Distributor in whose service area the product is operated will repair or replace any part that fails because of defects in material or workmanship. Connect Work Tools warranty covers new or original equipment only. This warranty does not apply to used equipment, that has been in service beyond the new product warranty period.

STANDARD RATE SCHEDULE

The following rate schedule is in effect and will be applied when evaluating and processing all related requests.

Warranty Coverage:

CHG2 - CHG3 - CHG6 - CHG7 - CHG9 - CHG10 - CHG15

Months	Parts	Labor
0-12	No Change	No Change

Connect Work Tools guarantees that the product shall be free from defects in materials or workmanship for a period of 12 months of installation date or 18 months from invoice date, whatever comes first.

Before submitting a warranty claim, make sure the attachment qualifies and meets the guidelines for warranty consideration.

Prior to performing a warranty action and submitting Connect Work Tools warranty claim the distributor must obtain pre-approval and a warranty claim number.

Contact the Connect Work Tools Customer Service Department at: 920-238-6657 or Email: service@connectworktools.com

CONNECTTM
WORK TOOLS

920.238.6657

www.connectworktools.com

