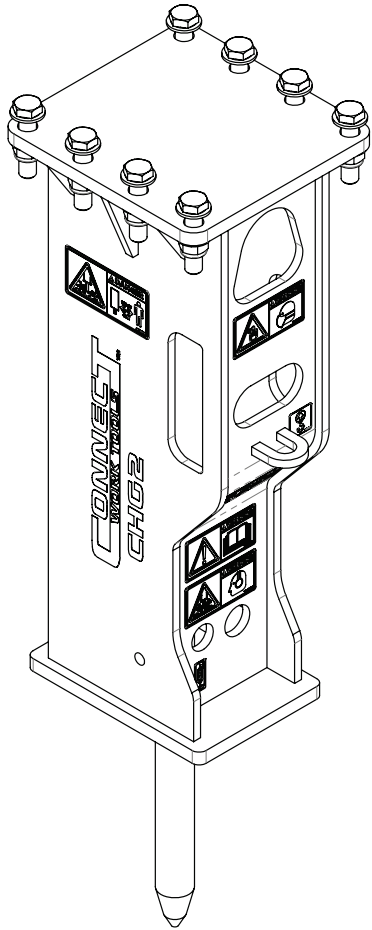




Gas Fired Breakers



Model: CHG2

Parts Manual CHG-Series



Part #CHGE00010

Connect Work Tools - www.connectworktools.com - 920.238.6657

Table of Contents

Contact Information	4
1.0 Equipment Identification	
1.1 Location of Serial Number	5
1.2 Owner's Record of Equipment	5
2.0 Decals	6
3.0 Base Plates	8
4.0 CHG2 Hammer	
4.1 Hammer	10
4.2 Back Head Sub Assembly	11
4.3 Cylinder Sub Assembly	12
4.4 Front Head Sub Assembly	14
4.5 Side Rod Set	15
5.0 CHG2 Housing	
5.1 Box Housing	16

Contact Information



Connect Work Tools
155 Main Street
Superior, WI 54880

E-mail: info@connectworktools.com
Main Phone: 920-238-6657
Fax: 715-395-3703

Contact your Connect Work Tools Representative or the Connect Work Tools Parts Department for replacement manuals. Inquiries regarding the content of this manual must include the release date shown below.

Information in this manual is subject to change without advance notice.

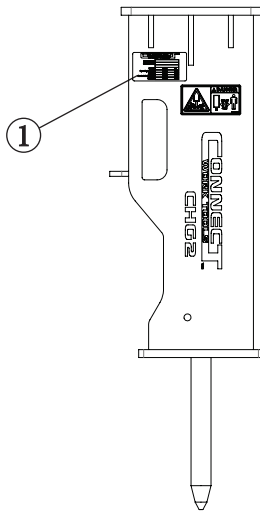
Table 1.1 About this manual

Document ID No.	CHGE00010
Type	Parts
Release Date	January 2024
Product Name	Gas fired Breakers
Series	CHG
Applicable Models	CHGE00010
Years of Manufacture	2024 & above

1.0 Equipment Identification

1.1 Location of the Serial Number Decal

Models: CHG2/CHG3/CHG6/CHG7/
CHG9/ CHG10/CHG15



The Serial Equipment Identification Decal is affixed to the side of the housing box. It provides the following information:

- Serial Number
- Model
- Part Number
- Weight
- Operating Pressure
- Oil Flow
- Carrier Relief Pressure
- Nitrogen

****Note: Prior to ordering parts, it's important to confirm your model and serial number**

CONNECT™ WORK TOOLS			
Serial Number:			
Model Number:			
Weight:	kg		lb
Operating Pressure:	bar		psi
Oil Flow:	l/min		gpm
Carrier Relief Pressure:	bar		psi
Nitrogen:	bar		psi

1.2 Owner's Record of the Equipment

Record the Model and Serial Number from the Serial Equipment Identification Tag to the space provided below. Indicate the date in which the Connect Work Tools equipment was placed into service.

Model CHG2: CHG2
 Model CHG3: CHG3
 Model CHG6: CHG6
 Model CHG7: CHG7
 Model CHG9: CHG9
 Model CHG10: CHG10
 Model CHG15: CHG15

Serial Number: _____

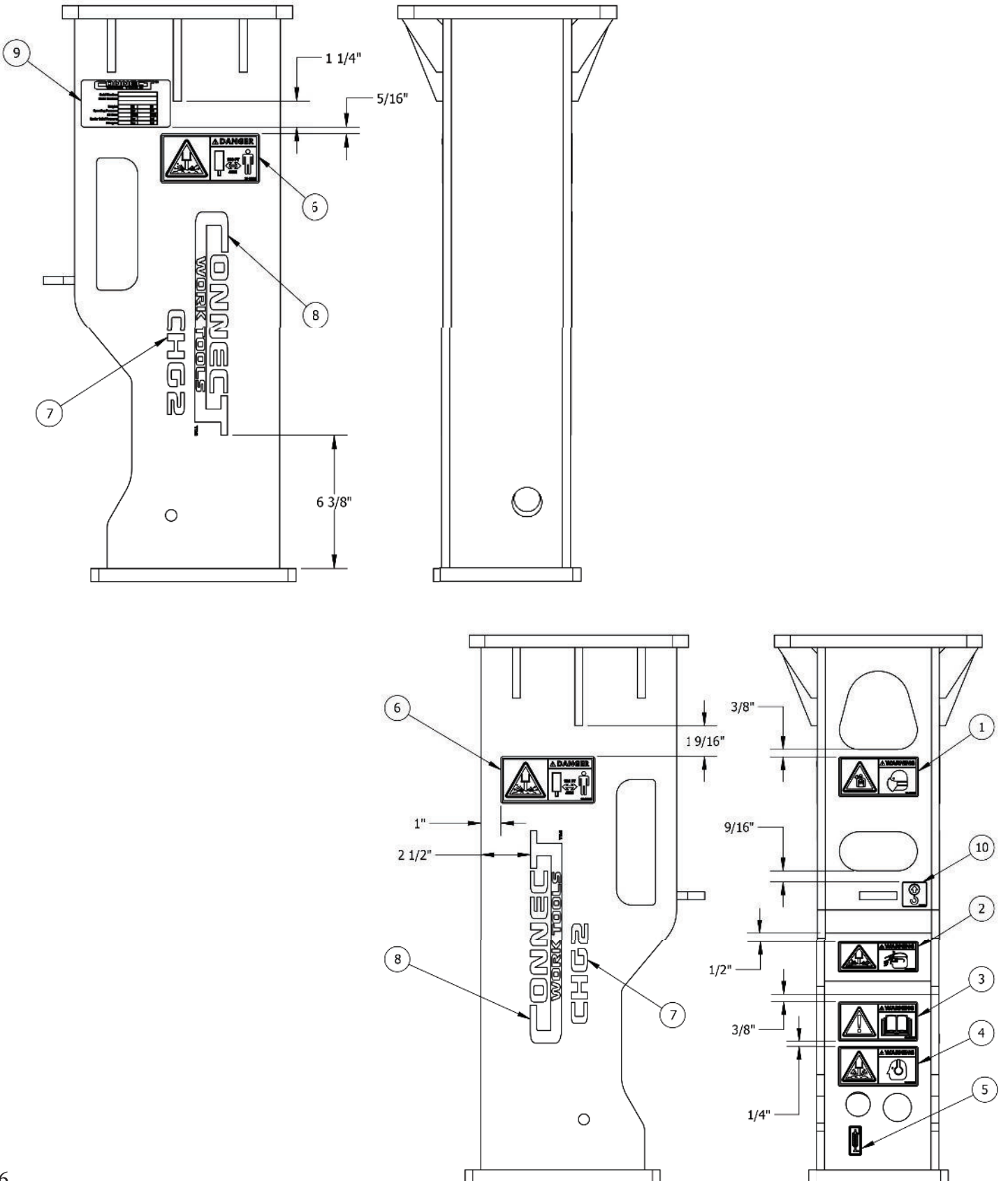
In Service Date: _____

Your Connect Work Tools representative requires this information to better assist you with questions regarding parts, warranty, operation, maintenance, or repair.

Your equipment must be registered by your local Distributor at the time of sale.

Product Registration Date: _____

2.0 Decals



2.0 Decals

All decals pictured are included in decal kits (with exception of No. 10)

2.1 Standard Decals



1. Part Number 16-00076 - Decal Warning Dust



2. Part Number 16-00077 - Decal Warning Flying Objects



3. Part Number 16-00078 - Decal Warning Read Manual



4. Part Number 16-00079 - Decal Warning Noise



5. Part Number 16-00080 - Decal Grease Point



6. Part Number 16-00086 - Decal Warning Safe Distance



7. Part Number CHG00003 - Decal CHG2



8. Part Number CHE00166 - Decal Connect Logo 11" - CHG2/CHG3/CHG6/CHG7
Part Number CHE00109 - Decal Connect Logo 18" - CHG9/CHG10/CHG15



9. Part Number CHE00127 - Decal SN Plate (Not included in Decal Kit)



10. Part Number 16-00082 - Decal Lift Point

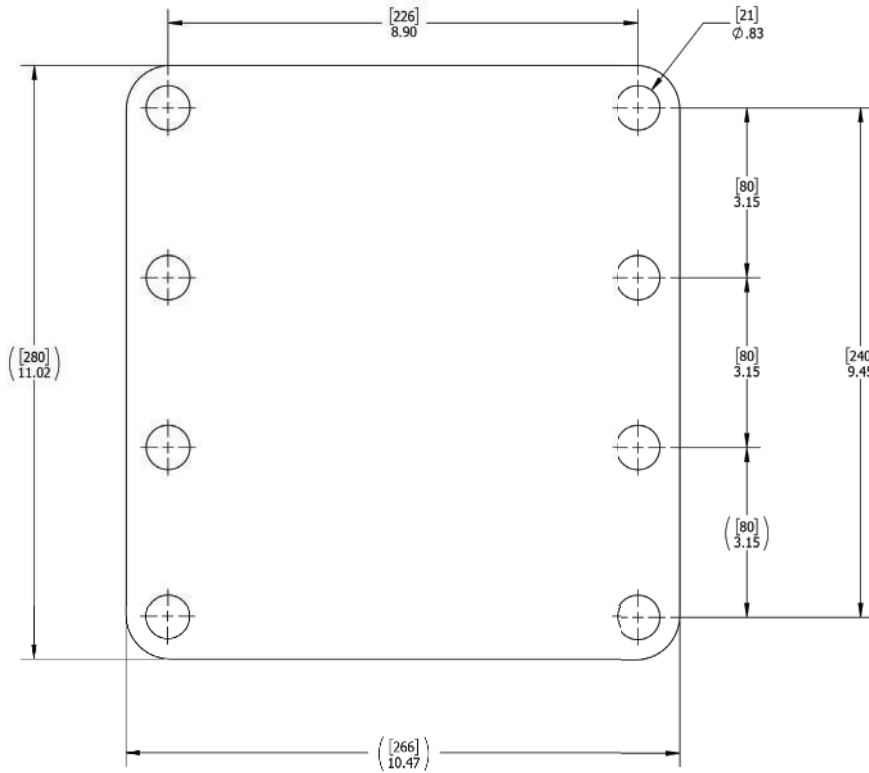


11. Part Number CHE00111 - Decal Warning Nitrogen

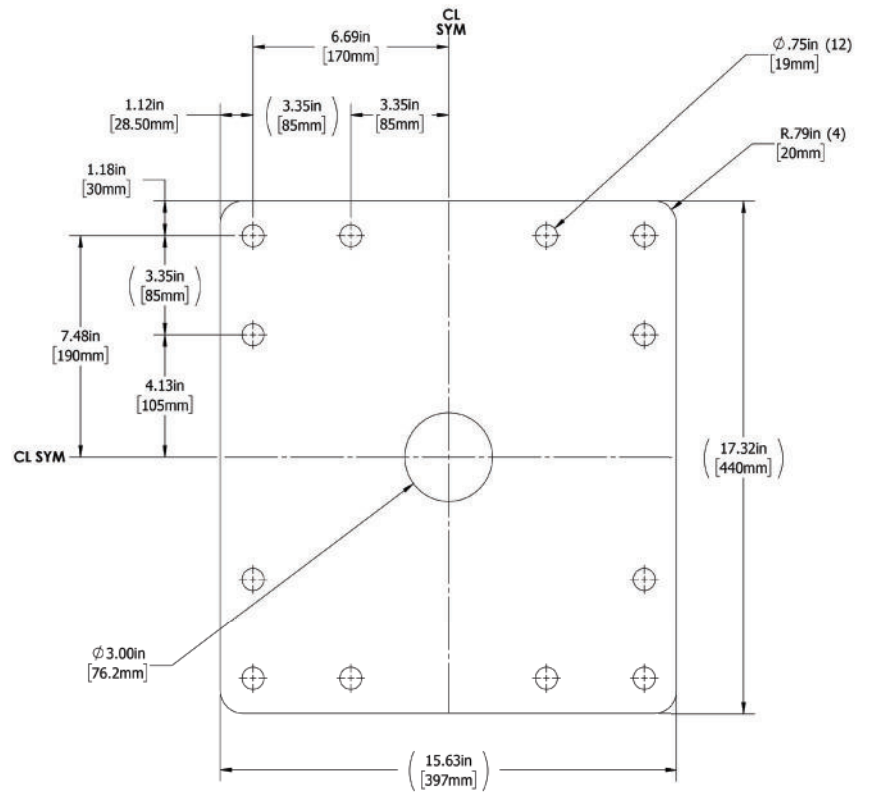


12. Part Number CHE00596 - Decal Warning Anti-Blank Fire

3.0 Base Plates

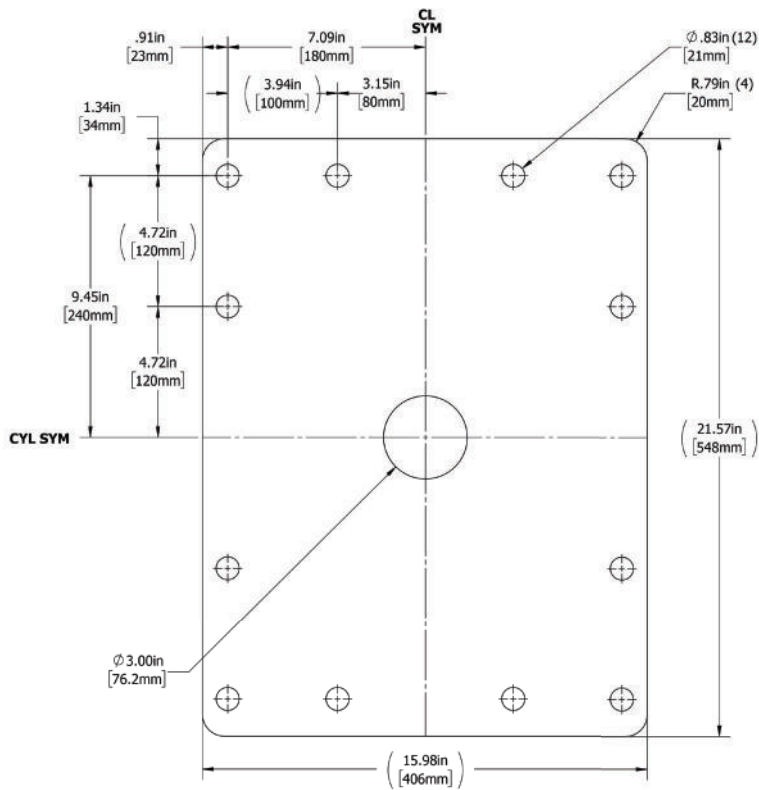


CHGE00101 - CHG2 - BASE PLATE

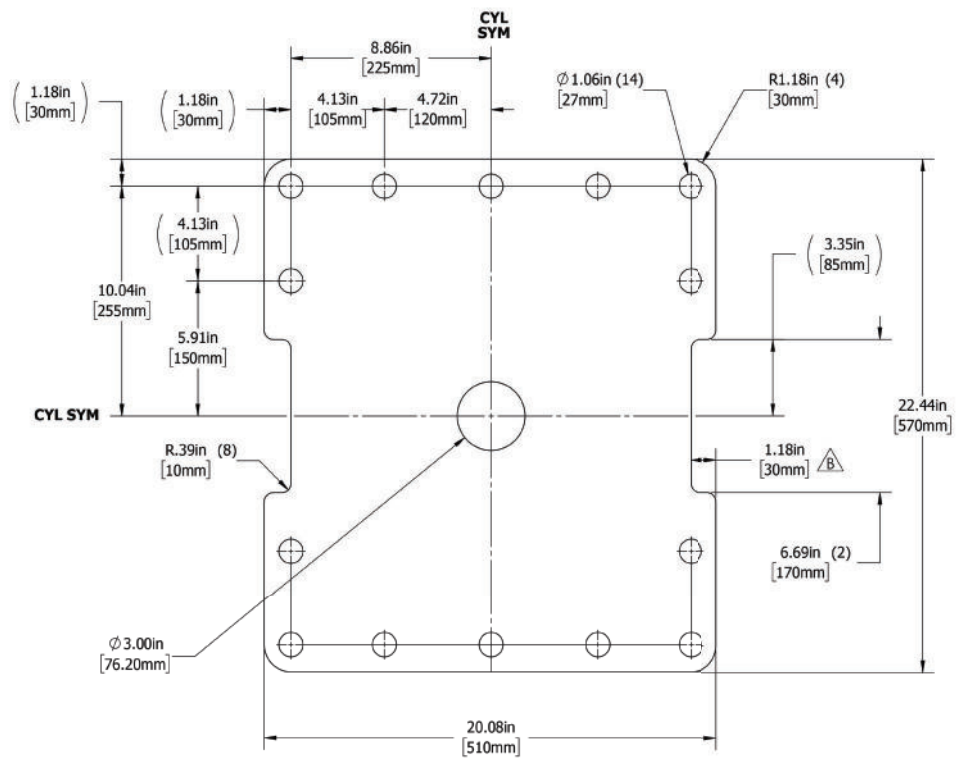


CHE00100 - CHG3/CHG6/CHG7 - BASE PLATE

3.0 Base Plates



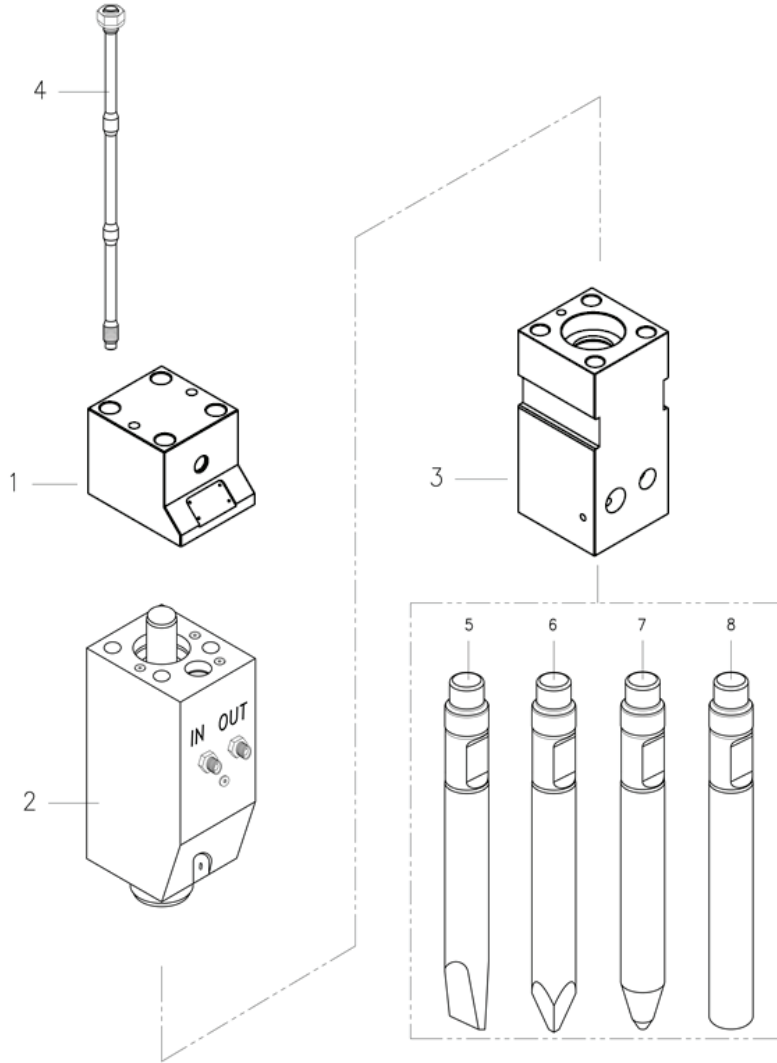
CHE00101 - CHG9/CHG10 - BASE PLATE



CHE00103 - CHG15 - BASE PLATE

4.0 CHG2 Hammer

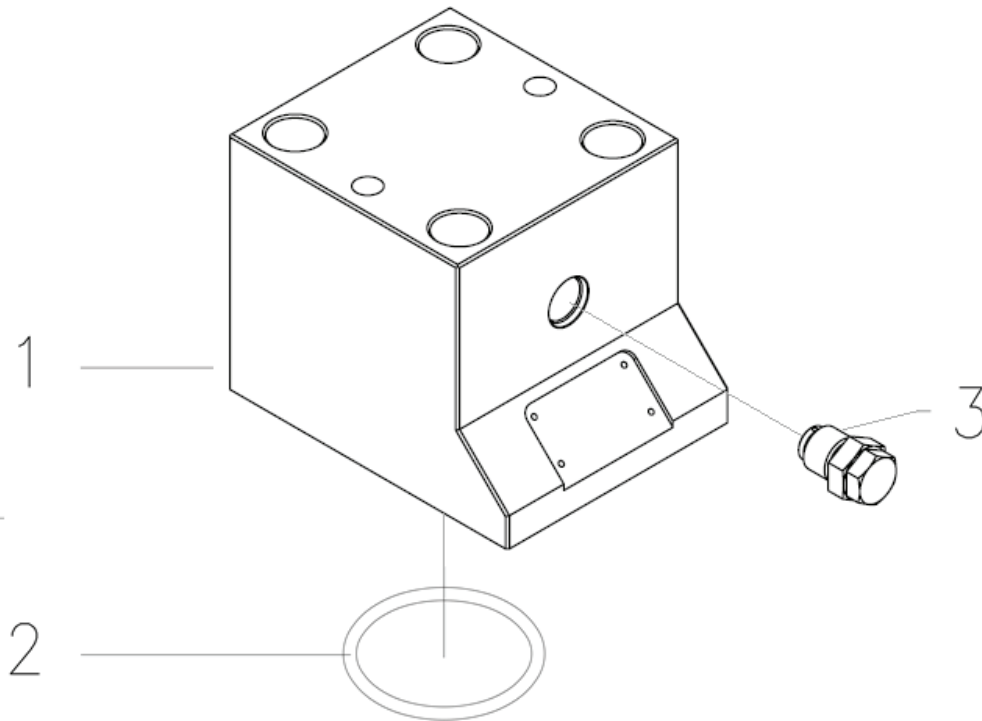
4-1. Hammer



NO.	PART NO.	PART NAME	QTY	REMARKS
	CHG0200000	HAMMER TOTAL ASSEMBLY	1	
1	CHG0201000	BACK HEAD SUB ASSEMBLY	1	
2	CHG0202000	CYLINDER SUB ASSEMBLY	1	
3	CHG0203000	FRONT HEAD SUB ASSEMBLY	1	
4	CHG0204000	SIDE ROD SUB ASSEMBLY	4	
5	CHG0205000	CHG2 CHISEL	1	
6	CHG0206000	CHG2 MOIL	1	
7	CHG0207000	CHG2 CONE	1	
8	CHG0208000	CHG2 BLUNT	1	
	CHG0210000	CHG2 SEAL KIT	1	

4.0 CHG2 Hammer

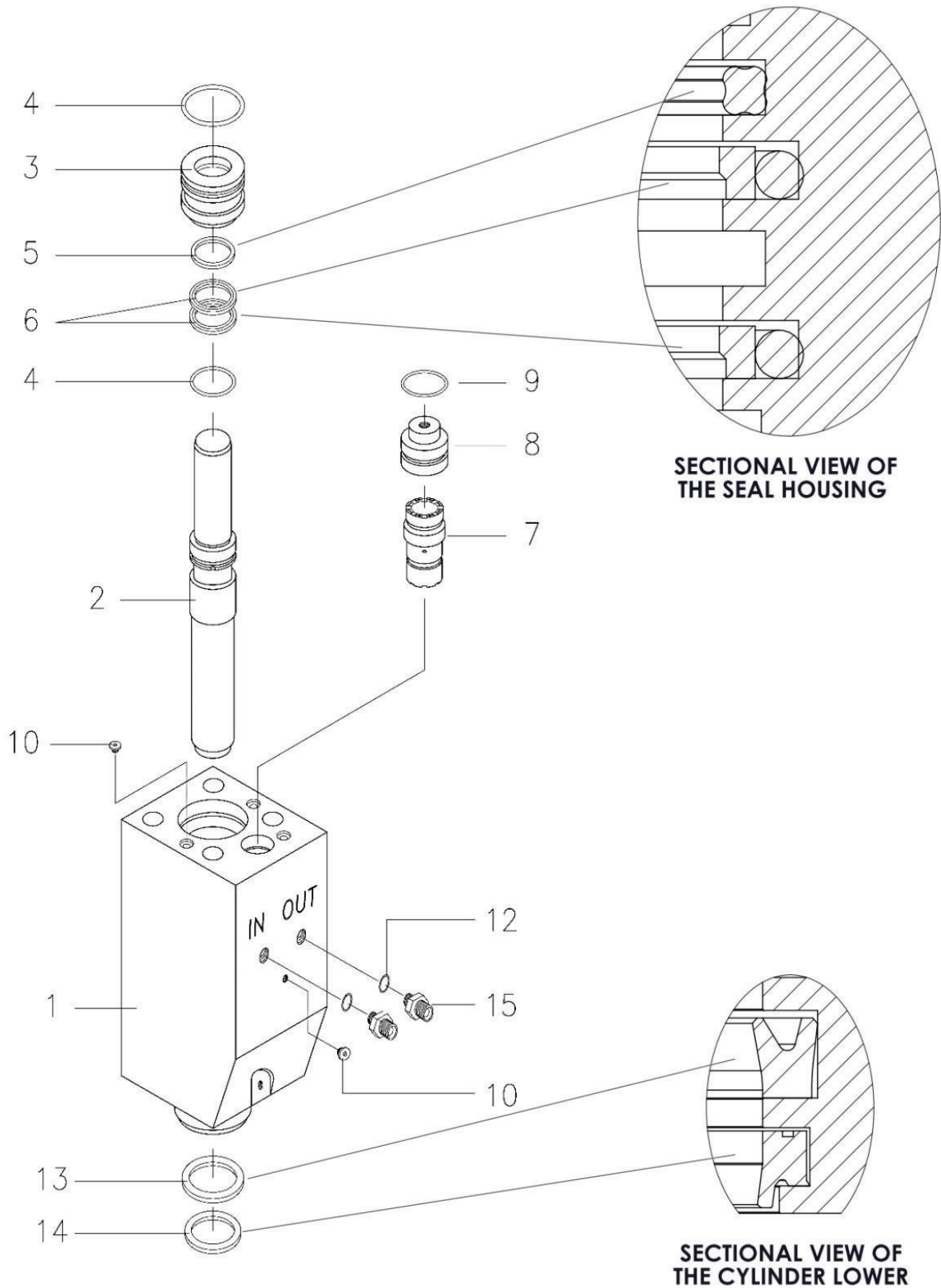
4-2. Back Head Sub Assembly



NO.	PART NO.	PART NAME	QTY	REMARKS
	CHG0201000	BACK HEAD SUB ASSEMBLY	1	
1	CHG0201001	BACKHEAD	1	
2	CHG0201002	O-RING	1	
3	CHG0201003	GAS CHARGING VALVE ASSEMBLY	1	

4.0 CHG2 Hammer

4-3. Cylinder Sub Assembly

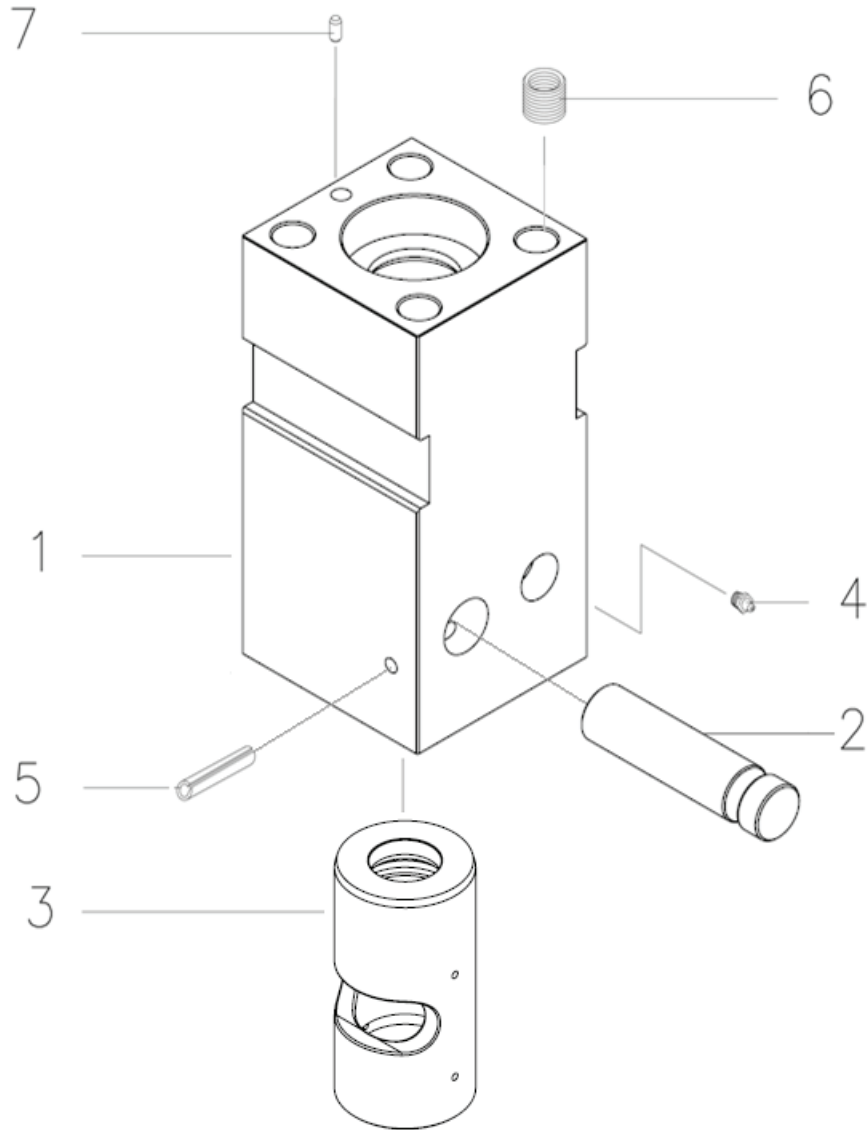


4.0 CHG2 Hammer

NO.	PART NO.	PART NAME	QTY	REMARKS
	CHG0202000	CYLINDER SUB ASSEMBLY	1	
1	CHG0202001	CHG2 CYLINDER	1	
2	CHG0202002	CHG2 PISTON	1	
3	CHG0202003	CHG2 SEAL HOUSING	1	
4	CHG0202004	O-RING	2	PART OF SEAL KIT
5	CHG0202005	GAS SEAL	1	PART OF SEAL KIT
6	CHG0202006	STEP SEAL	2	PART OF SEAL KIT
7	CHG0202008	OPER. V/V SPOOL	1	
8	CHG0202009	OPER. V/V SPOOL COVER	1	
9	CHG0202010	O-RING	1	PART OF SEAL KIT
10	CHG0202011	SOCKET PLUG	4	
12	CHG0202013	O-RING	2	OPTION
13	CHG0202014	U-PACKING	1	PART OF SEAL KIT
14	CHG0202015	WIPER	1	PART OF SEAL KIT
15	CHG0202016	ADAPTER	2	PF 1/2" - OPTION

4.0 CHG2 Hammer

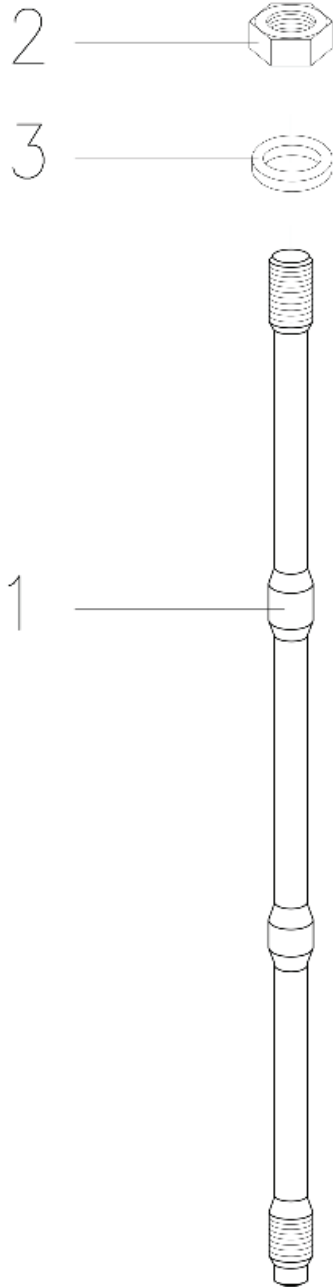
4-4. Front Head Sub Assembly



NO.	PART NO.	PART NAME	QTY	REMARKS
	CHG0203000	FRONT HEAD SUB ASSEMBLY	1	
1	CHG0203001	CHG2 FRONT HEAD	1	
2	CHG0203002	CHG2 TOOL PIN	1	
3	CHG0203003	CHG2 TOOL BUSHING	1	
4	CHG0203004	GREASE NIPPLE	1	
6	CHG0203006	HELI COIL	4	
7	CHG0203007	GUIDE PIN	1	
8	CHG0203008	SPRING PIN	1	

4.0 CHG2 Hammer

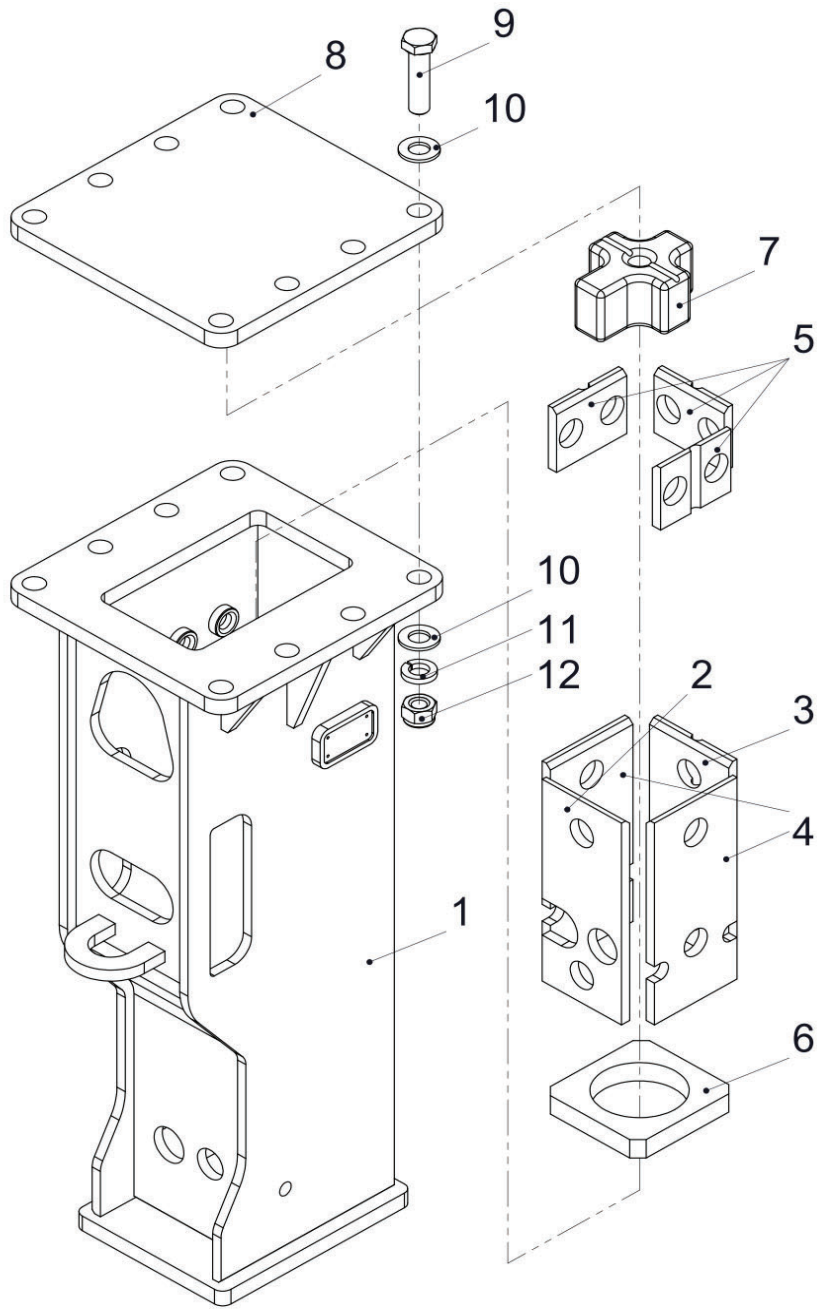
4-5. Side Rod Set



NO.	PART NO.	PART NAME	QTY	REMARKS
	CHG0204000	SIDE ROD SET	4	
1	CHG0204001	CHG2 SIDE ROD	4	
2	CHG0204002	CHG2 SIDE ROD NUT	4	
3	CHG0204003	CHG2 SIDE ROD WASHER	4	

5.0 CHG2 Housing

5-1. Box Housing



5.0 CHG2 Housing

NO.	PART NO.	PART NAME	QTY	REMARKS
	CHG0254000	HOUSING TOTAL ASSEMBLY	1	
1	CHG0254001	HOUSING WELD ASSEMBLY	1	
2	CHG0251004	WEARING PLATE	1	
3	CHG0251005	WEARING PLATE	1	
4	CHG0251006	WEARING PLATE	2	
5	CHG0251007	WEARING PLATE	3	
6	CHG0251003	BASE BUFFER	1	
7	CHG0251008	TOP BUFFER	1	
8	CHG0251002	TOP COVER PLATE	1	OPTION
9	CHG0251009	HEX. BOLT	8	
10	CHG0251010	FLAT WASHER	16	
11	CHG0251011	SPRING WASHER	8	
12	CHG0251012	NYLON LOCK NUT	8	



CHG Series Gas Fired Hammers Limited Warranty

Connect Work Tools offers this warranty to owners of new Connect Work Tools equipment that, after delivery and placement into service by the first user, the authorized Connect Work Tools Distributor in whose service area the product is operated will repair or replace any part that fails because of defects in material or workmanship. Connect Work Tools warranty covers new or original equipment only. This warranty does not apply to used equipment, that has been in service beyond the new product warranty period.

STANDARD RATE SCHEDULE

The following rate schedule is in effect and will be applied when evaluating and processing all related requests.

Warranty Coverage:

CHG2 - CHG3 - CHG6 - CHG7 - CHG9 - CHG10 - CHG15

Months	Parts	Labor
0-12	No Change	No Change

Connect Work Tools guarantees that the product shall be free from defects in materials or workmanship for a period of 12 months of installation date or 18 months from invoice date, whatever comes first.

Before submitting a warranty claim, make sure the attachment qualifies and meets the guidelines for warranty consideration.

Prior to performing a warranty action and submitting Connect Work Tools warranty claim the distributor must obtain pre-approval and a warranty claim number.

Contact the Connect Work Tools Customer Service Department at: 920-238-6657 or Email: service@connectworktools.com

CONNECTTM
WORK TOOLS

920.238.6657

www.connectworktools.com

