



Small Series Breakers



(CH85 Model Pictured)

Models

CH65

CH65H

CH65P

CH70EX

CH70SS

CH75

CH75H

CH85

CH95

CH100

Parts Manual

CH-Series

Part #CHE00163



Connect Work Tools - www.connectworktools.com - 920.238.6657

Contact Information



Connect Work Tools
155 Main Street
Superior, WI 54880

E-mail: info@connectworktools.com
Main Phone: 920-238-6657
Fax: 715-395-3703

Contact your Connect Work Tools Representative or the Connect Work Tools Parts Department for replacement manuals. Inquiries regarding the content of this manual must include the release date shown below.

Information in this manual is subject to change without advance notice.

Table 1.1 About this manual

Document ID No.	CHE00163
Type	Parts
Release Date	January 2020
Product Name	Hydraulic Impact Breaker
Series	CH
Applicable Models	CH65/CH65H/CH65P/CH70EX/ CH70SS/CH75/CH75H/CH85/ CH95/CH100
Years of Manufacture	2016 & above

Table of Contents



<u>Section</u>	<u>Section</u>
Table of Contents	iii
1.0 CH Equipment Identification	
1.1 Location of Serial Number Decal	1
1.2 Owner's Record of Equipment	1
2.0 CH Decals	
2.1 Standard Decals	2
2.2 Typical Breaker CH65/CH65P/CH75 Decal Placement	3
2.3 Typical Breaker CH70EX/CH70SS Decal Placement	4
2.4 Typical Breaker CH65H/CH75H/CH85/CH95 CH100 Decal Placement	5
3.0 CH Power Cells	
3.1 CH65/CH65H/CH65P Power Cell	8
3.2 CH70EX/CH70SS Power Cell	12
3.3 CH75/CH75H Power Cell	16
3.4 CH85 Power Cell	20
3.5 CH95 Power Cell	24
3.6 CH100 Power Cell	28
4.0 CH Housings	
4.1 CH65 Side-Plated Flat Top Bracket	34
4.2 CH65 Housed	36
4.3 CH65 Pin On Side Plates	38
4.4 CH70EX/CH70SS Skid Loader	40
4.5 CH75 Side Plated Housing	42
4.6 CH75 Housed	44
4.7 CH85 Housed	46
4.8 CH95 Housed	48
4.9 CH100 Housed	50
5.0 CH Seal Kits	
5.1 CH65/CH65H/CH65P Seal Kit	52
5.2 CH70EX/CH70SS Seal Kit	53
5.3 CH75/CH75H Seal Kit	54
5.4 CH85 Seal Kit	55
5.5 CH95 Seal Kit	56
5.6 CH100 Seal Kit	57
6.0 CH Rebuild Kits	
6.1 CH65/CH65H/CH65P Rebuild Kit	58
6.2 CH70EX/CH70SS Rebuild Kit	59
6.3 CH75/CH75H/CH85/CH95/CH100 Rebuild Kits	60
7.0 CH Tool Bits	
7.1 Tool Bits	61
	8.0 CH Tool N2 Charge Kit
	8.1 Tool Nitrogen (N ²) Charge Kit
	62
	9.0 CH Hoses
	9.1 CH65/CH65H/CH65P/CH70EX/CH70SS/CH75/CH75H/ CH85/CH95/CH100 Hoses
	62
	10.0 CH Hydraulic Mounted Breaker Lubricator
	10.1 CH85/CH95/CH100 Hydraulic Mounted Lubricator
	63
	11.0 CH Carrier Mounted Breaker Lubricator
	11.1 CH Carrier Mounted Breaker Lubricator
	64
	12.0 CH Skid Loader Bracket
	12.1 CH65/CH70SS/CH75 Skid Loader Bracket
	65
	13.0 CH Hose Guard Kits
	13.1 CH70SS/ CH75 Hose Guard Kits
	66
	14.0 CH Flow Control Valve
	14.1 CH65/CH70SS/CH75 Flow Control Valve
	67

Contact your Connect Work Tools Representative or the Connect Work Tools Parts Department for replacement manuals.

Inquiries regarding the content of this manual must include the release date shown below.

Information in this manual is subject to change without advance notice.

Table of Contents



Figures

1.0 CH Equipment Identification

Fig.1.1 Equipment Identification	1
Fig.1.2 Serial Decal	1

2.0 CH Decals

Fig.2.1 Standard Decals	2
Fig.2.2 Typical Breaker CH65/CH65P/CH75 Decal Placement. .3	
Fig.2.3 Typical Breaker CH70EX/CH70SS Decal Placement . . .4	
Fig.2.4 Typical Breaker CH65H/CH75/CH75H/CH85/CH95/ CH100 Decal Placement	5

3.0 CH Power Cells

Fig.3.1 CH65/CH65H/CH65P Power Cell	8
Fig. 3.2 CH70EX/CH70SS Power Cell	12
Fig. 3.3 CH75/CH75H Power Cell.	16
Fig. 3.4 CH85 Power Cell.	20
Fig. 3.5 CH95 Power Cell.	24
Fig. 3.6 CH100 Power Cell	28

4.0 CH Housings

Fig. 4.1 CH65 Side-Plated Flat Top Bracket.	34
Fig. 4.2 CH65 Housed.	36
Fig. 4.3 CH65 Pin On Side Plate	38
Fig. 4.4 CH70EX/CH70SS Housing	40
Fig. 4.5 CH75 Side Plated Housing	42
Fig. 4.6 CH75 Housed	44
Fig. 4.7 CH85 Housing	46
Fig. 4.8 CH95 Housing	48
Fig. 4.9 CH100 Housing.	50

5.0 CH Seal Kits

Fig. 5.1 CH65/CH65H/CH65P Seal Kit	52
Fig. 5.2 CH70EX/CH70SS Seal Kit	53
Fig. 5.3 CH75/CH75H Seal Kit	54
Fig. 5.4 CH85 Seal Kit	55
Fig. 5.5 CH95 Seal Kit	56
Fig. 5.6 CH100 Seal Kit	57

6.0 CH Rebuild Kits

Fig. 6.1 CH65/CH65H/CH65P Rebuild Kits	58
Fig. 6.2 CH70EX/CH70SS Rebuild Kits	59
Fig. 6.3 CH75/CH75H/CH85/CH95/CH100 Rebuild Kits	60

7.0 CH Tool Bits

Fig. 7.1 Tool Bits	61
------------------------------	----

Figures

8.0 CH Tool N2 Charge Kit

Fig. 8.1 Tool Nitrogen (N ²) Charge Kit	62
---	----

9.0 CH Hoses

Fig. 9.1 CH65/CH65H/CH65P/CH70EX/CH70SS/CH75/ CH75H/CH85/CH95/CH100 Hoses	62
--	----

10.0 CH Hydraulic Mounted Breaker Lubricator

Fig. 10.1 CH85/CH95/CH100 Hydraulic Mounted Lubricator. .63	
---	--

11.0 CH Carrier Mounted Breaker Lubricator

Fig. 11.1 CH Carrier Mounted Breaker Lubricator	64
---	----

12.0 CH Skid Loader Bracket

Fig. 12.1 CH65/CH70SS /CH75Skid Loader Bracket	65
--	----

13.0 CH Hose Guard Kits

Fig.13.1 CH70SS/CH75 Hose Guard Kits	66
--	----

14.0 CH Flow Control Valve

14.1 CH65/CH70SS/CH75 Flow Control Valve	67
--	----

Contact your Connect Work Tools Representative or the Connect Work Tools Parts Department for replacement manuals.

Inquiries regarding the content of this manual must include the release date shown below.

Information in this manual is subject to change without advance notice.

1.0 Equipment Identification

1.1 Location of the Serial Number Decal

Models: CH65/CH65P/CH70EX/ Models: CH65H/CH75H/
CH70SS/CH75 (Side-Plated) CH85/CH95/CH100

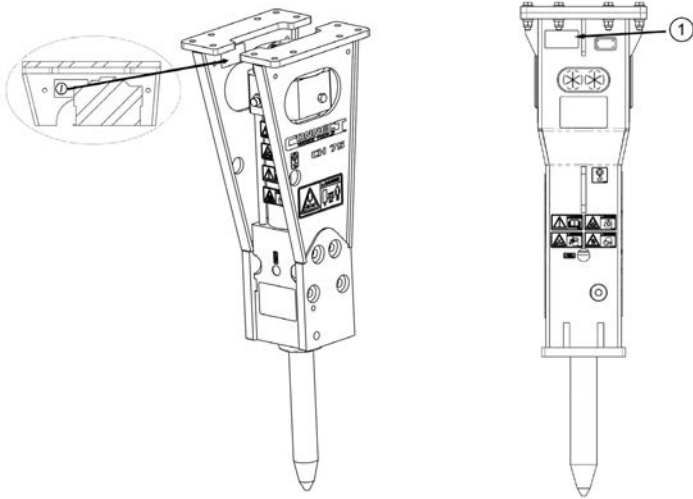


Fig.1.1 Equipment Identification

The Serial Equipment Identification Decal is affixed to the side of the housing box. It provides the following information:

- Serial Number
- Model
- Part Number
- Weight
- Operating Pressure
- Oil Flow
- Carrier Relief Pressure
- Nitrogen

****Note: Prior to ordering parts, it's important to confirm your model and serial number**



Fig.1.2 Serial Decal

1.2 Owner's Record of the Equipment

Record the Model and Serial Number from the Serial Equipment Identification Tag to the space provided below. Indicate the date in which the Connect Work Tools equipment was placed into service.

Model CH65: CH65
 Model CH65H: CH65H
 Model CH65P: CH65P
 Model CH70EX: CH70EX
 Model CH70SS: CH70SS
 Model CH75: CH75
 Model CH75H: CH75H
 Model CH85: CH85
 Model CH95: CH95
 Model CH100: CH100

Serial Number: _____

In Service Date: _____

Your Connect Work Tools representative requires this information to better assist you with questions regarding parts, warranty, operation, maintenance, or repair.

Your equipment must be registered by your local Distributor at the time of sale.

Product Registration Date: _____

2.0 Decals

All decals pictured are included in decal kits (with exception of No. 10)

2.1 Standard Decals



1. Part Number 16-00076 - Decal Warning Dust



2. Part Number 16-00077 - Decal Warning Flying Objects



3. Part Number 16-00078 - Decal Warning Read Manual



4. Part Number 16-00079 - Decal Warning Noise



5. Part Number 16-00080 - Decal Grease Point



6. Part Number 16-00081 - Decal Warning Safe Distance

7. Part Number CHE01338 - Decal CH65/CH65H/CH65P

Part Number CHE00402 - Decal CH70EX

Part Number CHE00403 - Decal CH70SS

Part Number CHE00154 - Decal CH75

Part Number CHE00618 - Decal CH75H

Part Number CHE00110 - Decal CH85

Part Number CHE00139 - Decal CH95

Part Number CHE00404 - Decal CH100



Example Shown: CH85

8. Part Number CHE00166 - Decal Connect Logo CH65/CH65H/CH65P/CH70EX/
CH70SS/CH75 Side Plated

Part Number CHE00109 - Decal Connect Logo CH75H/CH85/CH95/CH100



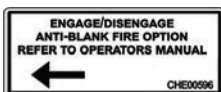
9. Part Number CHE00127 - Decal SN Plate (Not included in Decal Kit)



10. Part Number 16-00082 - Decal Lift Point



11. Part Number CHE00111 - Decal Warning Nitrogen (N²)



12. Part Number CHE00596 - Decal Warning Anti-Blank Fire (CH100 Model only)

Fig.2.1 Standard Decals

2.0 Decals

2.2 Typical Breaker CH65/CH65P/CH75 Side-Plated Decal Placement

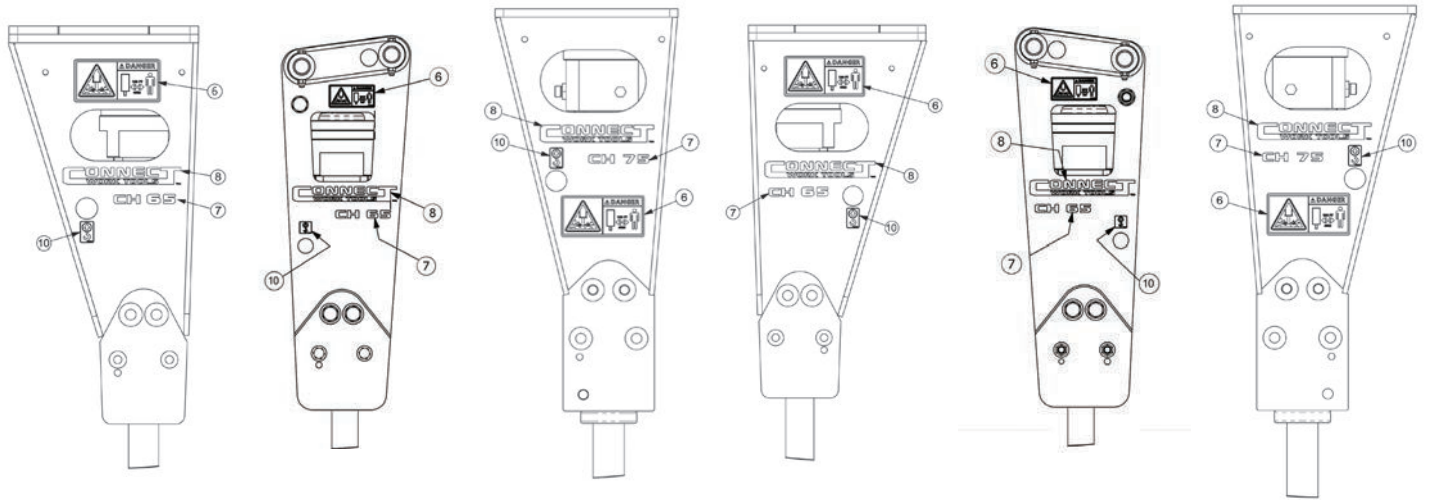


Fig.2.2-1 CH65 Fig.2.2-1 CH65P Fig.2.2-1 CH75 Fig.2.2-2 CH65 Fig.2.2-2 CH65P Fig.2.2-2 CH75

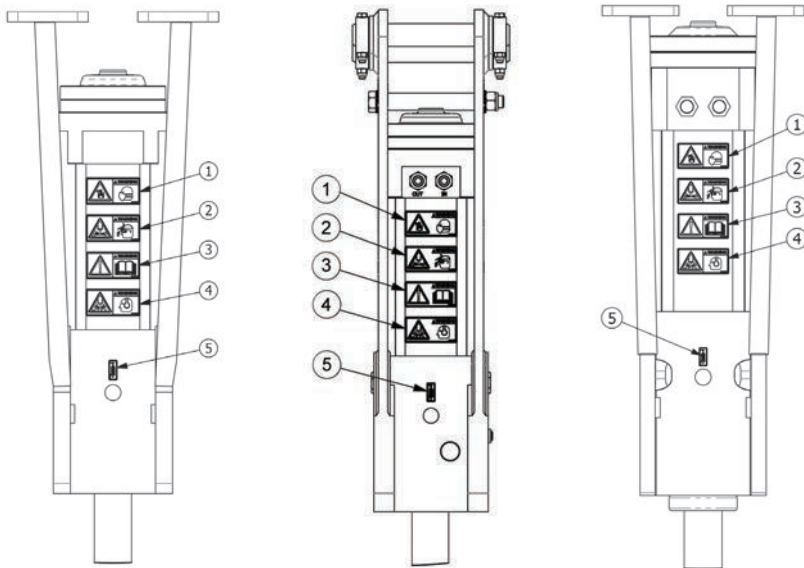


Fig.2.2-3 CH65 Fig.2.2-3 CH65P Fig.2.2-3 CH75

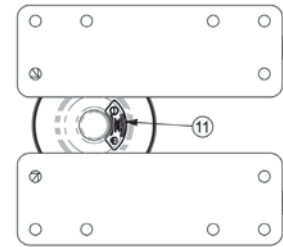


Fig.2.2-4 CH65

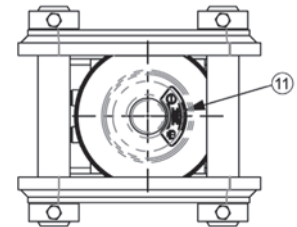


Fig.2.2-4 CH65P

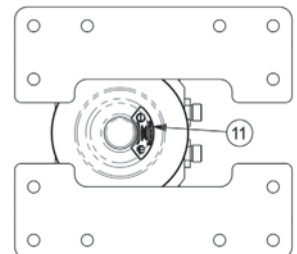


Fig.2.2-4 CH75

All decals pictured are included in decal kits

PART NO.	PART NAME	QTY
CHE01396	Decal Kit CH65	1
CHE01448	Decal Kit CH65P	1
CHE00153	Decal Kit CH75	1

2.0 Decals

2.3 Typical Breaker CH70EX/CH70SS Decal Placement

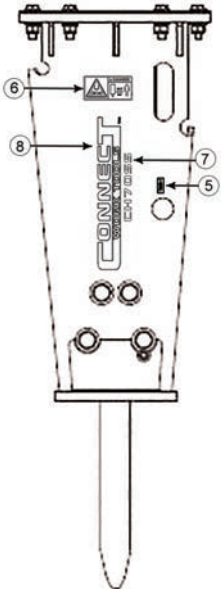


Fig.2.3-1 CH70EX

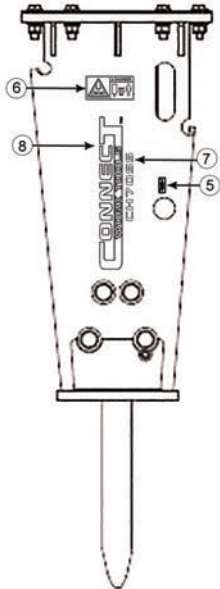


Fig.2.3-1 CH70SS

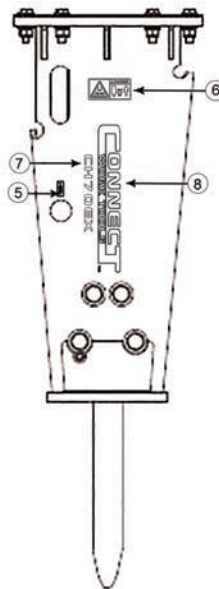


Fig.2.3-2 CH70EX

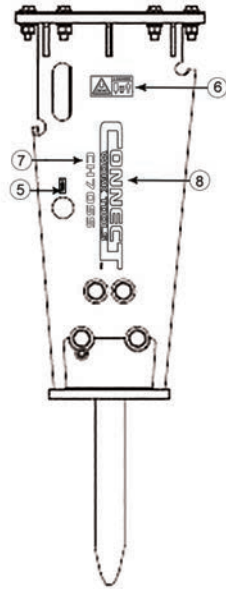


Fig.2.3-2 CH70SS

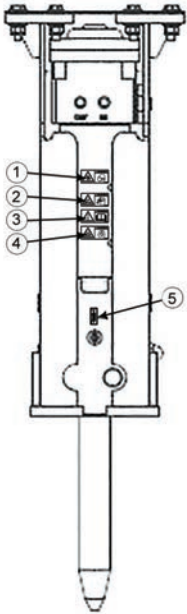


Fig.2.3-3 CH70EX

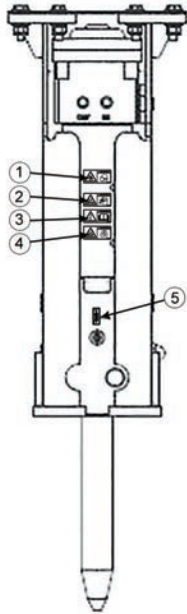


Fig.2.3-3 CH70SS

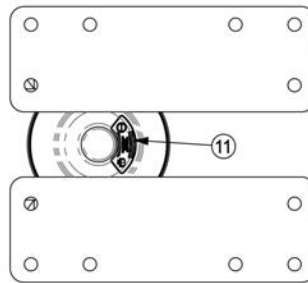


Fig.2.3-4 CH70EX

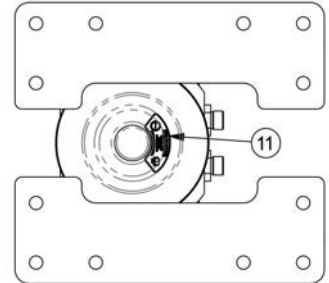


Fig.2.3-4 CH70SS

All decals pictured are included in decal kits

PART NO.	PART NAME	QTY
CHE00398	Decal Kit CH70EX	1
CHE00399	Decal Kit CH70SS	1

2.0 Decals

2.4 Typical Breaker CH65H/CH75H/CH85/CH95/CH100 Housed Decal Placement

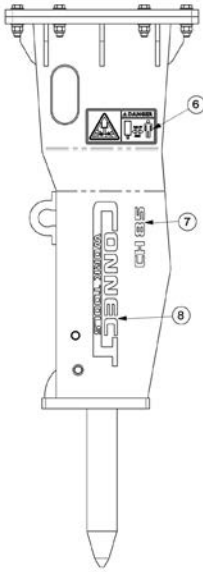


Fig.2.4-1 CH65H/CH75H/CH85/
CH95CH100 Housed Decal Placement

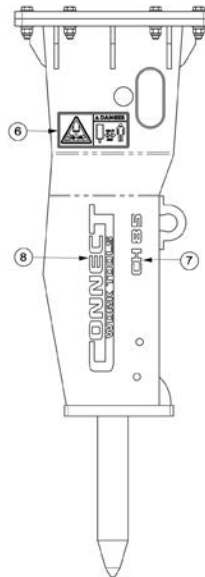


Fig.2.4-2 CH65H/CH75H/CH85/
CH95CH100 Housed Decal Placement

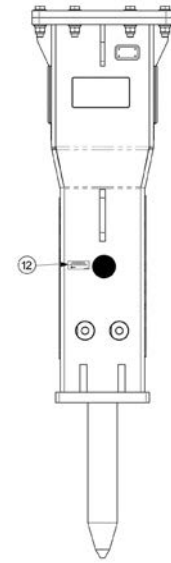


Fig.2.4-3 CH100 Decal Placement

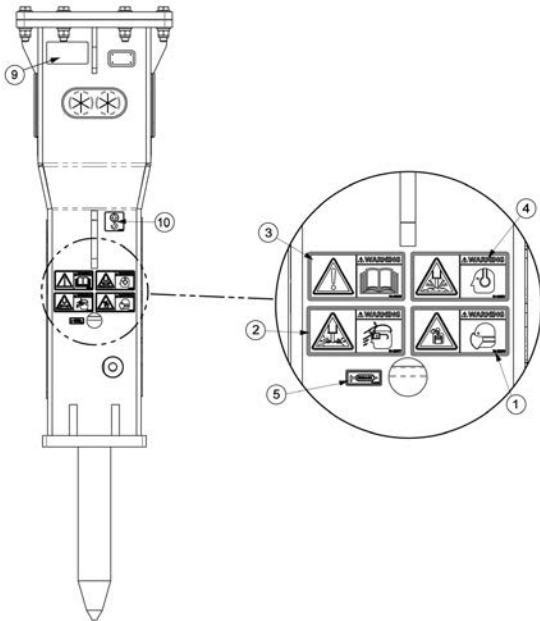


Fig.2.4-4 CH65H/CH75H/CH85/CH95CH100
Housed Decal Placement

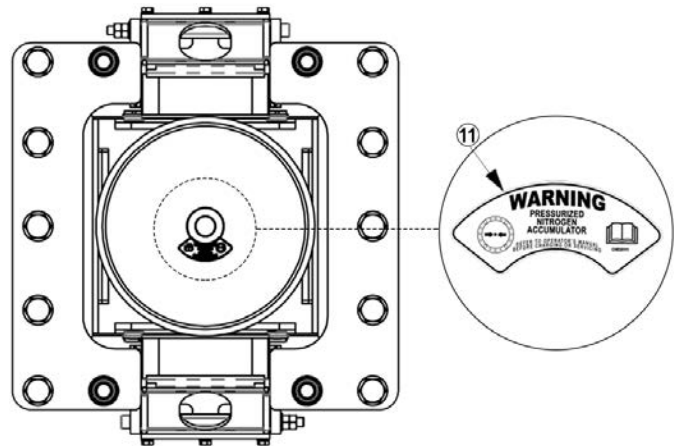


Fig.2.4-5 CH65H/CH75H/CH85/CH95CH100
Housed Decal Placement

All decals pictured are included in decal kits

PART NO.	PART NAME	QTY
CHE01395	Decal Kit CH65H	1
CHE00400	Decal Kit CH75H	1
CHE00129	Decal Kit CH85	1
CHE00138	Decal Kit CH95	1
CHE00404	Decal Kit CH100	1



Small Series Breakers

Models

CH65

CH65H

CH65P

CH70EX

CH70SS

CH75

CH75H

CH85

CH95

CH100

Power Cells

3.0 CH Power Cells - CH65/CH65H/CH65P

3.1 CH65/CH65H/CH65P Power Cell

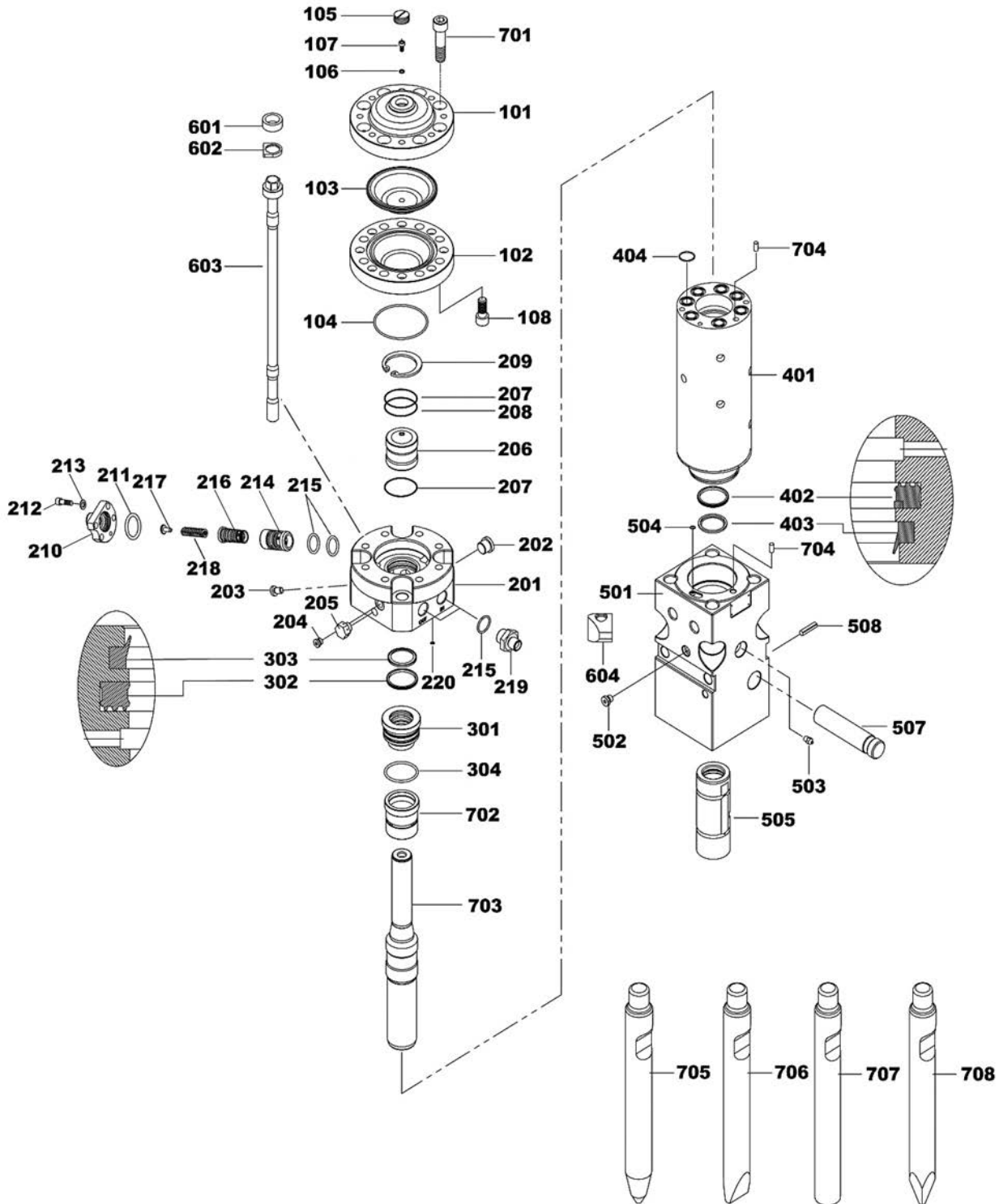


Fig.3.1 CH65/CH65H/CH65P Breaker

Connect Work Tools Small Series Breaker Model CH65/CH65H/CH65P

3.0 CH Power Cells - CH65/CH65H/CH65P

3.1 CH65/CH65H/CH65P Power Cell Parts List

NO	PART NO.	PART NAME	QTY	ALTERNATE P/N
	CH65/CH65H/CH65P	CH65/CH65H/CH65P	1	
101	CHB0406020	ACC. COVER	1	676155
102	CHB040603A	ACC. BOTTOM	1	676156
103	CHB040704A	MEMBRANE	1	CHB0407040/676162
104	CHB2507120	O-RING	1	676202
105	CHB1307010	ACC. CAP	1	676157
106	CHB4007020	USIT RING	1	676201
107	CHB4006420	ACC. GAS BOLT	1	676161
108	CHSB1615035	ACC. BOTTOM BOLT	8	676164
201	CHB0406710	VALVE HOUSING	1	676154
202	CHB4006530	SOCKET PLUG	1	676158
203	CHB4006450	SOCKET PLUG	1	676159
204	CHB4006910	SOCKET PLUG	1	N/A
205	CHA0306190	AIR BREATHER	1	676215
206	CHB0406130	IN COVER BUSHING	1	676166
207	CHB4007200	O-RING	2	676203
208	CHB0407080	BACKUP RING	1	676205
209	CHB0406430	SNAP RING	1	676165
210	CHB0406170	OPER. VALVE COVER	1	676175
211	CHB2507290	O-RING	1	676206
212	CHSB1015030	SOCKET BOLT	4	940587
213	CHCW100000	LOCK WASHER	4	571053
214	CHB0406180	OPER. VALVE GUIDE	1	676199
215	CHA2007110	O-RING	4	676204
216	CHB0406190	OPER. VALVE SPOOL	1	676172
217	CHB0406350	OPER. VALVE SPRING GUIDE	1	676173
218	CHB0406490	OPER. VALVE SPRING	1	676171
219	CHAPE12MJIC10M	ADAPTER CH70	2	CHJICBSPP-03
220	CHA0607130	O-RING	1	N/A

Connect Work Tools Small Series Breaker Model CH65/CH65H/CH65P

3.0 CH Power Cells - CH65/CH65H/CH65P

3.1 CH65/CH65H/CH65P Power Cell Parts List

NO	PART NO.	PART NAME	QTY	ALTERNATE P/N
301	CHB0406040	SEAL HOUSING	1	676179
302	CHB0407090	SEAL	1	676207
303	CHB0407100	WIPER	1	676208
304	CHB4007200	O-RING	1	676203
401	CHB0406720	CYLINDER	1	676182
402	CHB0407110	SEAL	1	676210
403	CHB0407120	WIPER	1	676211
404	CHB0407150	O-RING	7	676209
501	CHB0406730	FRONT HEAD	1	571032
502	CHB4006450	SOCKET PLUG	1	B4006450
503	CHB4006560	GREASE NIPPLE	1	816675
504	CHB7507290	O-RING	1	B7507290
505	CHB0406120	TOOL BUSHING	1	571033
507	CHB0406510	TOOL PIN	1	573854
508	CHSP140080	SPRING PIN	1	573853
601	CHB0407030	RUBBER RING	4	676169
602	CHB0406250	LOCK WASHER	4	676168
603	CHB0406100	SIDE ROD	4	676167
604	CHB0406110	SIDE ROD NUT	4	676187
701	CHSB1615055	ACC. COVER BOLT	8	676163
702	CHB0406140	DISTRIBUTOR	1	676181
703	CHB0406050	PISTON	1	676178
704	CHB4006370	ACC. GUIDE PIN	2	676183

****Note: For CH65/CH65H/CH65P Tool Bit information, see 61****

Connect Work Tools Small Series Breaker Model CH65/CH65H/CH65P

3.0 CH Power Cells - CH70EX/CH70SS

3.2 CH70EX/CH70SS Power Cell

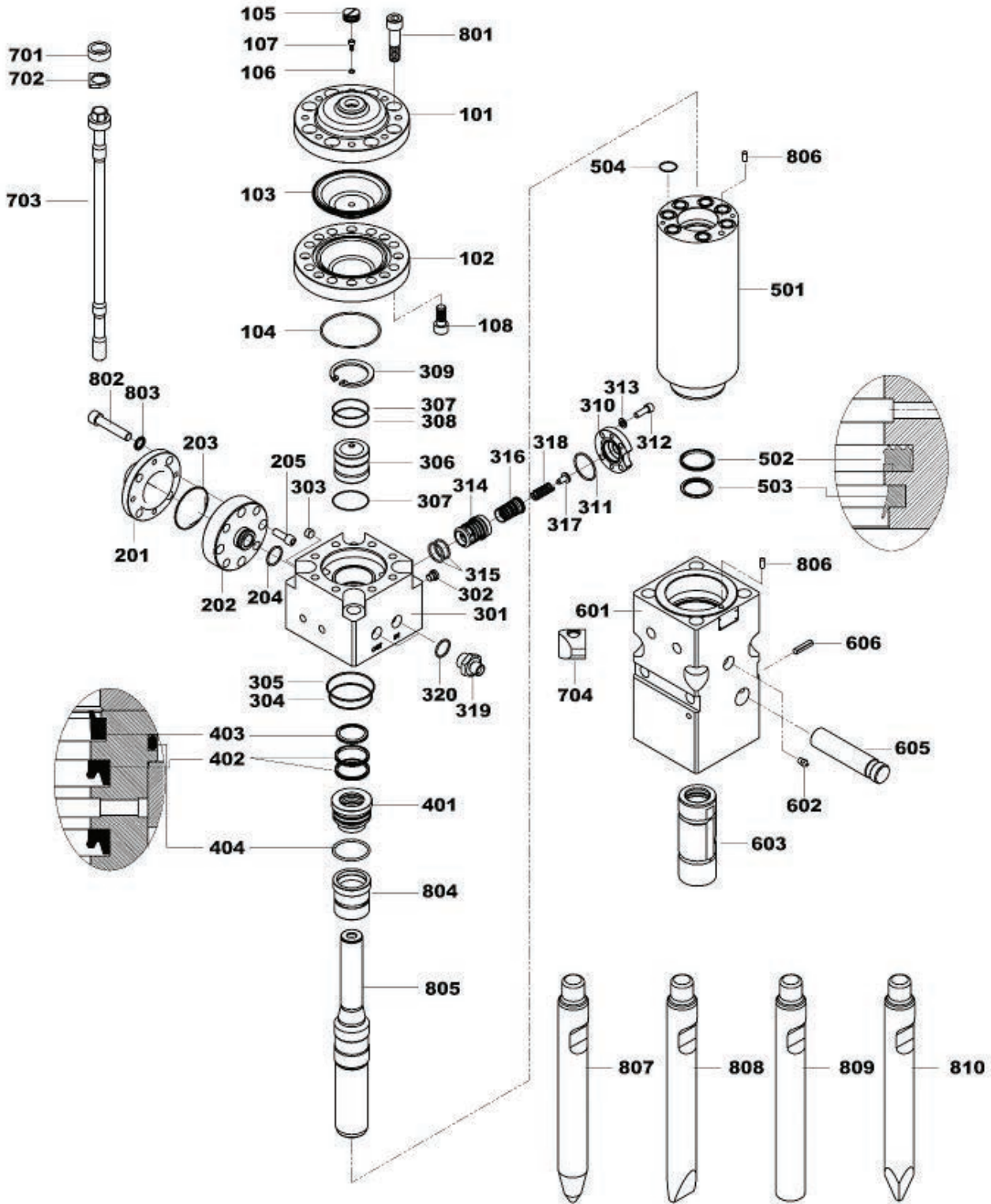


Fig.3.2 CH70EX/CH70SS Breaker

3.0 CH Power Cells - CH70EX/CH70SS

3.2 CH70EX/CH70SS Power Cell Parts List

NO	PART NO.	PART NAME	QTY	ALTERNATE P/N
	CH70EX/CH70SS	CH70EX/CH70SS	1	
101	CHB0406020	ACC. COVER (HIGH TOP)	1	
102	CHB050603A	ACC. BOTTOM (HIGH TOP)	1	CHB0506030
103	CHB040704A	MEMBRANE (HIGH TOP)	1	CHB0407040
104	CHA1007010	O-RING	1	
105	CHB1307010	ACC. CAP	1	
106	CHB4007020	USIT RING	1	
107	CHB4006420	ACC. GAS BOLT	1	
108	CHSB1615035	ACC. BOTTOM BOLT	8	
201	CHB0506370	ACC. COVER (LOW SIDE)	1	
202	CHB050636A	ACC. BOTTOM (LOW SIDE)	1	CHB0506360
203	CHB050638A	MEMBRANE (LOW SIDE)	1	CHB0506380
204	CHB2507290	O-RING	1	
205	CHSB1217035	ACC. BOTTOM BOLT	4	
301	CHB0506300	VALVE HOUSING	1	
302	CHB4006450	SOCKET PLUG	1	
303	CHA0406200	PLUG	1	
304	CHB4007200	O-RING	1	
305	CHB0507070	BACK UP RING	1	
306	CHB0506390	IN COVER BUSHING	1	
307	CHA2507310	O-RING	2	
308	CHB0507020	BACK UP RING	1	
309	CHB0806430	SNAP RING	1	
310	CHB1006170	OPER. VALVE COVER	1	
311	CHB2507200	O-RING	1	
312	CHSB1015030	SOCKET BOLT	4	
313	CHCW10000	LOCK WASHER	4	
314	CHB0506180	OPER. VALVE GUIDE	1	

3.0 CH Power Cells - CH70EX/CH70SS

3.2 CH70EX/CH70SS Power Cell Parts List

NO	PART NO.	PART NAME	QTY	ALTERNATE P/N
315	CHB2507290	O-RING	2	
316	CHB0506250	OPER. VALVE SPOOL	1	
317	CHB1306350	OPER. VALVE SPRING GUIDE	1	
318	CHB0506260	OPER. VALVE SPRING	1	
319	CHAPE12MJIC12M	ADAPTER	2	CHJICBSPP-05
320	CHA2007110	O-RING	2	
401	CHB0506330	SEAL HOUSING	1	
402	CHB0507030	SEAL	2	
403	CHB0507040	WIPER	1	
404	CHB4007240	O-RING	1	
501	CHB0506310	CYLINDER	1	
502	CHB0507050	SEAL	1	
503	CHB0507060	WIPER	1	
504	CHB0507080	O-RING	7	
601	CHB0506090	FRONT HEAD	1	
602	CHB4006560	GREASE NIPPLE	2	
603	CHB0506070	TOOL BUSHING	1	
605	CHB0506200	TOOL PIN	1	
606	CHSP160080	SPRING PIN	1	
701	CHB0407030	RUBBER RING	4	
702	CHB0406250	LOCK WASHER	4	
703	CHB0506350	SIDE ROD	4	
704	CHB0506110	SIDE ROD NUT	4	
801	CHSB1615055	ACC. COVER BOLT	8	
802	CHSB1620075	ACC. COVER BOLT	4	
803	CHNDLW1600	NORD LOCK WASHER	4	
804	CHB0506340	DISTRIBUTOR	1	
805	CHB0506320	PISTON	1	
806	CHB4006370	GUIDE PIN	2	

****Note: For CH70EX/CH70SS Tool Bit information, see 61****

3.0 CH Power Cells - CH75/CH75H

3.3 CH75/CH75H Power Cell

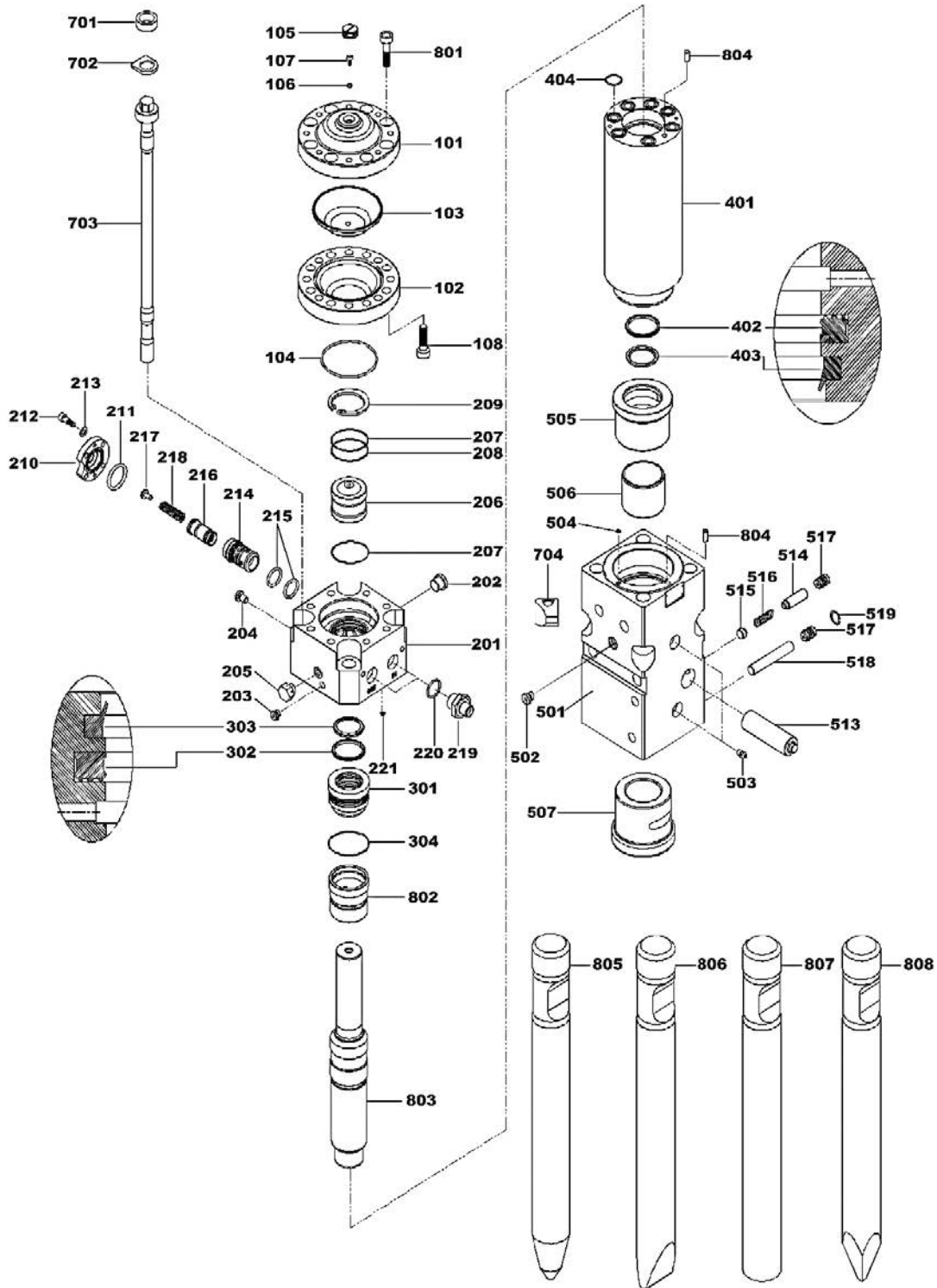


Fig.3.3 CH75/CH75H Breaker

Connect Work Tools Small Series Breaker Model CH75/CH75H

3.0 CH Power Cells - CH75/CH75H

3.3 CH75/CH75H Power Cell Parts List

NO	PART NO.	PART NAME	QTY	ALTERNATE P/N
	CH75/CH75H	CH75/CH75H	1	
101	CHB0806020	ACC. COVER	1	676213
102	CHB060603A	ACC. BOTTOM	1	CHB0606030/676214
103	CHB080704A	MEMBRANE	1	676217
104	CHB0607060	O-RING	1	676247
105	CHB1307010	ACC. CAP	1	676157
106	CHB4007020	USIT RING	1	676201
107	CHB4006420	ACC. GAS BOLT	1	676161
108	CHSB1615045	ACC. BOTTOM BOLT	8	676219
201	CHB0606710	VALVE HOUSING	1	676176
202	CHB2506520	SOCKET PLUG	1	676216
203	CHB4006910	SOCKET PLUG	1	N/A
204	CHB4006450	SOCKET PLUG	1	676159
205	CHA0306190	AIR BREATHER	1	676215
206	CHB0806130	IN COVER BUSHING	1	676221
207	CHB4007240	O-RING	2	676248
208	CHB0807080	BACKUP RING	1	676250
209	CHB0806430	SNAP RING	1	676220
210	CHB1006170	OPER. VALVE COVER	1	676230
211	CHB2507200	O-RING	1	676251
212	CHSB1015030	SOCKET BOLT	4	940587
213	CHCW100000	LOCK WASHER	4	571053
214	CHB1006270	OPER. VALVE GUIDE	1	676226
215	CHB2507290	O-RING	2	676206
216	CHB1006260	OPER. VALVE SPOOL	1	676227
217	CHB1306350	OPER. VALVE SPRING GUIDE	1	676228
218	CHB1306410	OPER. VALVE SPRING	1	676225
219	CHAPE16MJIC12M	ADAPTER CH75/85	2	CHJICBSP-10
220	CHA0307060	O-RING	2	676245
221	CHA2007220	O-RING	1	N/A

3.0 CH Power Cells - CH75/CH75H

3.3 CH75/CH75H Power Cell Parts List

NO	PART NO.	PART NAME	QTY	ALTERNATE P/N
301	CHB0806040	SEAL HOUSING	1	676231
302	CHB0807090	SEAL	1	676252
303	CHB0807100	WIPER	1	676253
304	CHA2007120	O-RING	1	676257
401	CHB0606720	CYLINDER	1	676233
402	CHB1307090	SEAL	1	676255
403	CHB1307100	WIPER	1	676256
404	CHB0607150	O-RING	7	B0607150
501	CHB0606730	FRONT HEAD	1	103025
502	CHB4006450	SOCKET PLUG	1	N/A
503	CHB4006560	GREASE NIPPLE	2	816675
504	CHA2007220	O-RING	1	N/A
505	CHB0606070	THRUST RING	1	676234
506	CHB0606080	UPPER BUSHING	1	676235
507	CHB0606120	TOOL BUSHING	1	676240
513	CHB0606200	TOOL PIN	1	676238
514	CHB0806380	LOCK PIN	1	676193
515	CHB1306400	LOCK PIN SPRING GUIDE	1	676195
516	CHB0606170	LOCK PIN SPRING	1	676242
517	CHB1306460	RUBBER PLUG	2	676243
518	CHB0606210	BUSHING PIN	1	676190
519	CHB1006440	SNAP RING	1	103034

3.0 CH Power Cells - CH75/CH75H

3.3 CH75/CH75H Power Cell Parts List

NO	PART NO.	PART NAME	QTY	ALTERNATE P/N
701	CHB0807030	RUBBER RING	4	676224
702	CHB0806250	LOCK WASHER	4	676223
703	CHB0806100	SIDE ROD	4	676222
704	CHB0806110	SIDE ROD NUT	4	676237
801	CHSB1825070	ACC. COVER BOLT	8	676218
802	CHB0806140	DISTRIBUTOR	1	676232
803	CHB0606050	PISTON	1	676198
804	CHB4006370	ACC. GUIDE PIN	2	676183

****Note: For CH75/CH75H Tool Bit information, see 61****

3.0 CH Power Cells - CH85

3.4 CH85 Power Cell

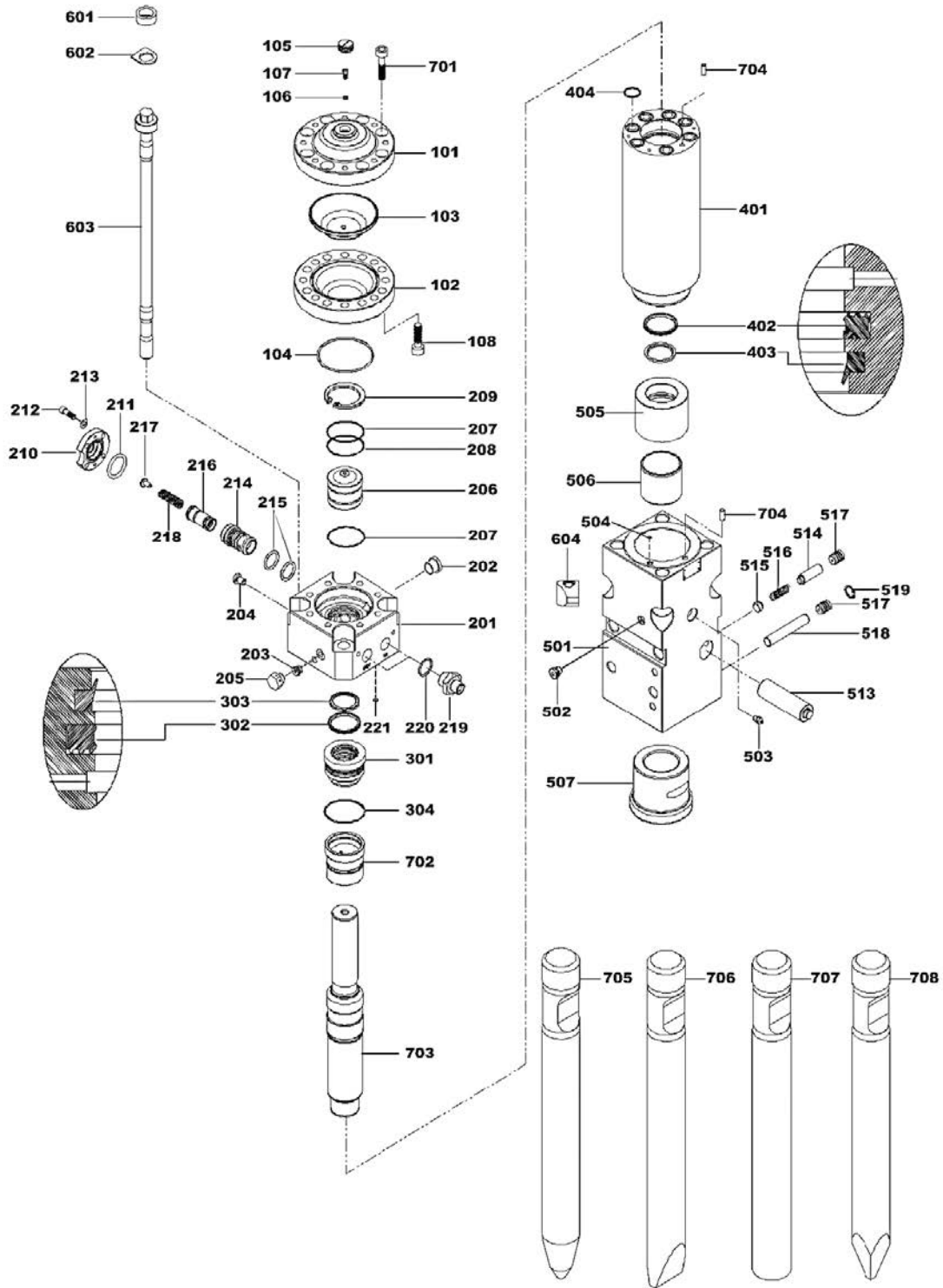


Fig.3.4 CH85 Breaker

Connect Work Tools Small Series Breaker Model CH85

3.0 CH Power Cells - CH85

3.4 CH85 Power Cell Parts List

NO	PART NO.	PART NAME	QTY	ALTERNATE P/N
	CH85	CH85	1	
101	CHB0806020	ACC. COVER	1	676213
102	CHB080603A	ACC. BOTTOM	1	CHB0806030/103319
103	CHB080704A	MEMBRANE	1	103324
104	CHA1207010	O-RING	1	101330
105	CHB1307010	ACC. CAP	1	676157
106	CHB4007020	USIT RING	1	676201
107	CHB4006420	ACC. GAS BOLT	1	676161
108	CHSB1615045	ACC. BOTTOM BOLT	8	676218
201	CHB0806710	VALVE HOUSING	1	B0806710
202	CHB2506520	SOCKET PLUG	1	676216
203	CHB4006910	SOCKET PLUG	1	102241
204	CHB4006450	SOCKET PLUG	1	676159
205	CHA0306190	AIR BREATHER	1	676215
206	CHB0806130	IN COVER BUSHING	1	676221
207	CHB4007240	O-RING	2	676248
208	CHB0807080	BACKUP RING	1	676250
209	CHB0806430	SNAP RING	1	676220
210	CHB1006170	OPER. VALVE COVER	1	676230
211	CHB2507200	O-RING	1	676251
212	CHSB1015030	SOCKET BOLT	4	940587
213	CHCW100000	LOCK WASHER	4	571053
214	CHB1006270	OPER. VALVE GUIDE	1	676226
215	CHB2507290	O-RING	2	676206
216	CHB1006260	OPER. VALVE SPOOL	1	676227
217	CHB1306350	OPER. VALVE SPRING GUIDE	1	676228
218	CHB1306410	OPER. VALVE SPRING	1	676225
219	CHAPE16MJIC12M	ADAPTER CH85	2	CHJICBSPP-10
220	CHA0307060	O-RING	2	676204
221	CHA0607130	O-RING	1	N/A

3.0 CH Power Cells - CH85

3.5 CH85 Power Cell Parts List

NO	PART NO.	PART NAME	QTY	ALTERNATE P/N
301	CHB0806040	SEAL HOUSING	1	676231
302	CHB0807090	SEAL	1	676252
303	CHB0807100	WIPER	1	676253
304	CHA2007120	O-RING	1	676257
401	CHB0806720	CYLINDER	1	B0806720
402	CHB1307090	SEAL	1	676255
403	CHB1307100	WIPER	1	676256
404	CHA2007110	O-RING	7	676204
501	CHB0806730	FRONT HEAD	1	B0806780
502	CHB4006450	SOCKET PLUG	1	676159
503	CHB4006560	GREASE NIPPLE	1	816675
504	CHA0607130	O-RING	1	A0607130
505	CHB0806070	THRUST RING	1	103320
506	CHB0806080	UPPER BUSHING	1	103321
507	CHB0806120	TOOL BUSHING	1	103322
513	CHB0806200	TOOL PIN	1	103323
514	CHB0806380	LOCK PIN	1	676193
515	CHB1306400	LOCK PIN SPRING GUIDE	1	676195
516	CHB1006390	LOCK PIN SPRING	1	676242
517	CHB1306460	RUBBER PLUG	2	676243
518	CHB0806210	BUSHING PIN	1	103325
519	CHB1006440	SNAP RING	1	103034

3.0 CH Power Cells - CH85

3.5 CH85 Power Cell Parts List

NO	PART NO.	PART NAME	QTY	ALTERNATE P/N
601	CHB0807030	RUBBER RING	4	676224
602	CHB0806250	LOCK WASHER	4	676223
603	CHB0806100	SIDE ROD	4	676222
604	CHB0806110	SIDE ROD NUT	4	676237
701	CHSB1825070	ACC. COVER BOLT	8	676219
702	CHB0806140	DISTRIBUTOR	1	676232
703	CHB0806050	PISTON	1	103318
704	CHB4006370	GUIDE PIN	2	676183

****Note: For CH85 Tool Bit information, see 61****

3.0 CH Power Cells - CH95

3.5 CH95 Power Cell

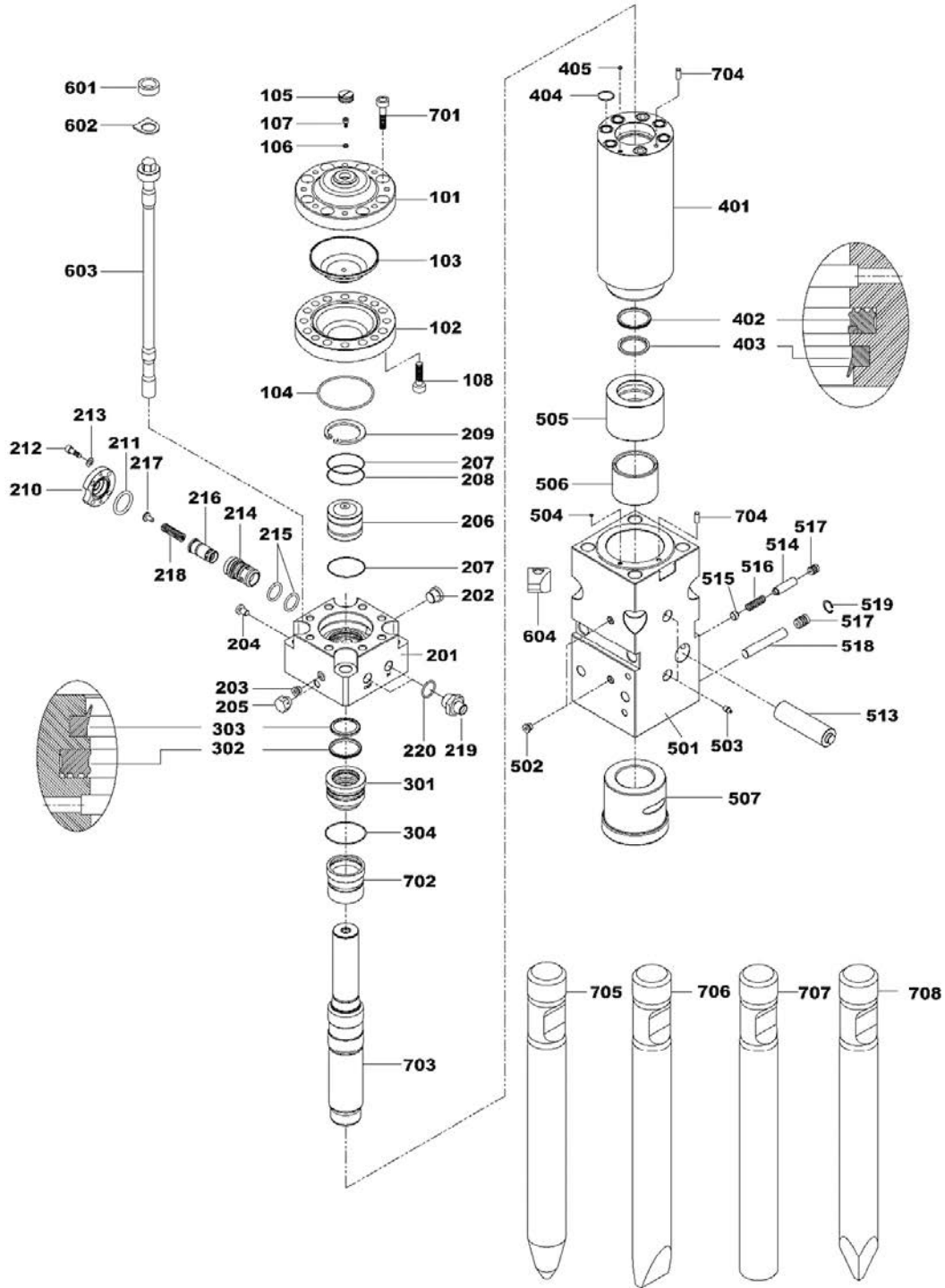


Fig.3.5 CH95 Breaker

3.0 CH Power Cells - CH95

3.5 CH95 Power Cell Parts List

NO	PART NO.	PART NAME	QTY	ALTERNATE P/N
	CH95	CH95	1	
101	CHB1006020	ACC. COVER	1	101308
102	CHB100603A	ACC. BOTTOM	1	CHB1006030/101309
103	CHB100704A	MEMBRANE	1	101331
104	CHA1207010	O-RING	1	101330
105	CHB1307010	ACC. CAP	1	676157
106	CHB4007020	USIT RING	1	676201
107	CHB4006420	ACC. GAS BOLT	1	676161
108	CHSB1615055	ACC. BOTTOM BOLT	8	676163
201	CHB1006710	VALVE HOUSING	1	101307
202	CHB2506520	SOCKET PLUG	1	676216
203	CHB4006910	SOCKET PLUG	1	N/A
204	CHB4006450	SOCKET PLUG	1	676159
205	CHA0306190	AIR BREATHER	1	676215
206	CHB1006130	IN COVER BUSHING	1	101325
207	CHB1507120	O-RING	2	101338
208	CHB1007080	BACKUP RING	1	101339
209	CHB1006430	SNAP RING	1	101329
210	CHB1006170	OPER. VALVE COVER	1	676230
211	CHB2507200	O-RING	1	676251
212	CHSB1015030	SOCKET BOLT	4	940587
213	CHCW100000	LOCK WASHER	4	571053
214	CHB1006270	OPER. VALVE GUIDE	1	676226
215	CHB2507290	O-RING	2	676206
216	CHB1006260	OPER. VALVE SPOOL	1	676227
217	CHB1306350	OPER. VALVE SPRING GUIDE	1	676228
218	CHB1306410	OPER. VALVE SPRING	1	676225
219	CHAPE12MJIC12M	ADAPTER CH95	2	CHJICBSPP-05
220	CHA2007110	O-RING	2	676204

3.0 CH Power Cells - CH95

3.6 CH95 Power Cell Parts List

NO	PART NO.	PART NAME	QTY	ALTERNATE P/N
301	CHB1006040	SEAL HOUSING	1	A101310
302	CHB1007090	SEAL	1	101332
303	CHB1007100	WIPER	1	101333
304	CHA0607010	O-RING	1	N/A
401	CHB1006720	CYLINDER	1	101312
402	CHB1007110	SEAL	1	101335
403	CHB1007120	WIPER	1	A101336
404	CHA2007110	O-RING	7	676204
405	CHA2007220	O-RING	1	101334
501	CHB1006730	FRONT HEAD	1	572348
502	CHB4006450	SOCKET PLUG	2	N/A
503	CHB4006560	GREASE NIPPLE	2	816675
504	CHA2007220	O-RING	1	N/A
505	CHB1006070	THRUST RING	1	101321
506	CHB1006080	UPPER BUSHING	1	101320
507	CHB1006120	TOOL BUSHING	1	101317
513	CHB1006200	TOOL PIN	1	101316
514	CHB1306380	LOCK PIN	1	100026
515	CHB1306400	LOCK PIN SPRING GUIDE	1	676195
516	CHB1006390	LOCK PIN SPRING	1	100027
517	CHB1306460	RUBBER PLUG	2	100028
518	CHB1006210	BUSHING PIN	1	101324
519	CHB1006440	SNAP RING	1	103034

3.0 CH Power Cells - CH95

3.6 CH95 Power Cell Parts List

NO	PART NO.	PART NAME	QTY	ALTERNATE P/N
601	CHB1007030	RUBBER RING	4	101327
602	CHB1006250	LOCK WASHER	4	101318
603	CHB1006100	SIDE ROD	4	101314
604	CHB1006110	SIDE ROD NUT	4	101315
701	CHSB1825080	ACC. COVER BOLT	8	101326
702	CHB1006140	DISTRIBUTOR	1	101319
703	CHB1006050	PISTON	1	101311
704	CHB4006370	GUIDE PIN	2	101322

****Note: For CH95 Tool Bit information, see 61****

3.0 CH Power Cells - CH100

3.6 CH100 Power Cell

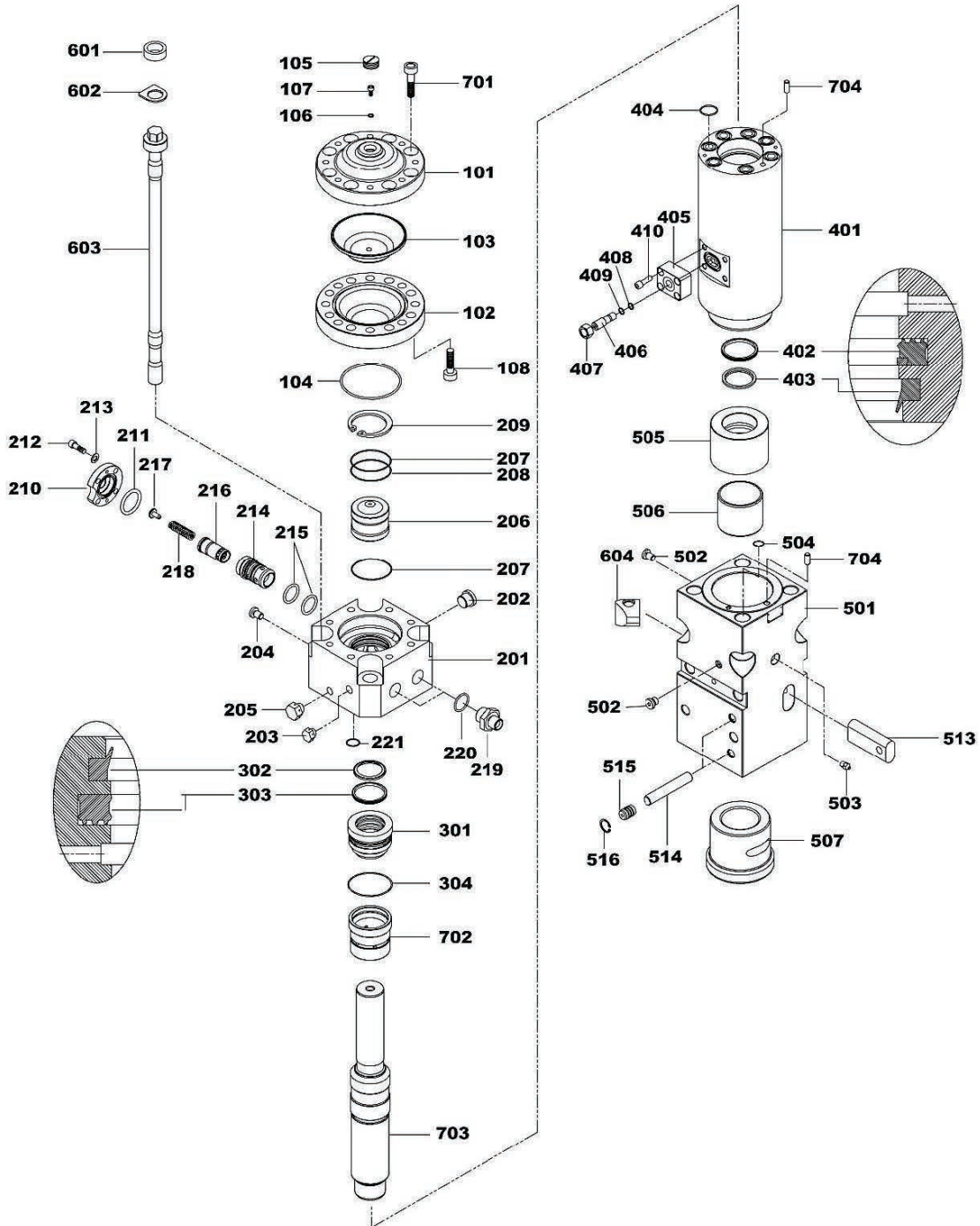


Fig.3.6 CH100 Breaker

Connect Work Tools Small Series Breaker Model CH100

3.0 CH Power Cells - CH100

3.6 CH100 Power Cell Parts List

NO	PART NO.	PART NAME	QTY	ALTERNATE P/N
	CH100	CH100	1	
	CHB130601A	ACC. SUB ASSY	1	
101	CHB1306020	ACC. COVER	1	
102	CHB130603A	ACC. BOTTOM	1	CHB1306030
103	CHB130704A	MEMBRANE	1	CHB1307040
104	CHB1307060	O-RING	1	
105	CHB1307010	ACC. CAP	1	
106	CHB4007020	USIT RING	1	676201
107	CHB4006420	ACC. GAS BOLT	1	676161
108	CHSB1615060	ACC. BOTTOM BOLT	12	
	CHB140602A	VALVE HOUSING SUB ASSY	1	
201	CHB1406710	VALVE HOUSING	1	
202	CHB2506520	SOCKET PLUG	1	676216
203	CHB4006910	SOCKET PLUG	1	
204	CHB4006450	SOCKET PLUG	1	
205	CHA0306190	AIR BREATHER	1	676215
206	CHB1306130	IN COVER BUSHING	1	
207	CHB1307070	O-RING	2	
208	CHB1307080	BACKUP RING	1	
209	CHB1306430	SNAP RING	1	
210	CHB1306170	OPER. VALVE COVER	1	
211	CHB4007190	O-RING	1	101788
212	CHSB1015035	SOCKET BOLT	4	
213	CHCW100000	LOCK WASHER	4	571053
214	CHB1406180	OPER. VALVE GUIDE	1	
215	CHB1507200	O-RING	2	571815
216	CHB1406190	OPER. VALVE SPOOL	1	
217	CHB1306350	OPER. VALVE SPRING GUIDE	1	
218	CHB1406410	OPER. VALVE SPRING	1	

3.0 CH Power Cells - CH100

3.7 CH100 Power Cell Parts List

NO	PART NO.	PART NAME	QTY	ALTERNATE P/N
219	CHAPE12MJIC12M	ADAPTER	2	CHB1306320
220	CHA2007110	O-RING	2	676204
221	CHA0607130	O-RING	1	A0607130
	CHB130603A	SEAL HOUSING SUB ASSY	1	
301	CHB1406040	SEAL HOUSING	1	
302	CHB1307090	SEAL	1	
303	CHB1307100	WIPER	1	
304	CHB1307070	O-RING	1	
	CHB140604B	CYLINDER SUB ASSY	1	
401	CHB1406750	CYLINDER	1	
402	CHB1507160	SEAL	1	
403	CHB1507170	WIPER	1	
404	CHA2007110	O-RING	7	676204
405	CHB1406760	STOP VALVE	1	
406	CHB1406770	ADJUST BOLT	1	
407	CHA3006320	ADJUST NUT	1	
408	CHB1807310	O-RING	1	
409	CHA3007160	BACKUP RING	1	
410	CHSB0812020	SOCKET BOLT	4	
	CHB140605A	FRONT HEAD SUB ASSY	1	
501	CHB1406730	FRONT HEAD	1	
502	CHB4006450	SOCKET PLUG	1	676159
503	CHB4006560	GREASE NIPPLE	1	816675
504	CHA0607130	O-RING	1	
505	CHB1306070	THRUST RING	1	
506	CHB1306080	UPPER BUSHING	1	
507	CHB1306120	TOOL BUSHING	1	

3.0 CH Power Cells - CH100

3.7 CH100 Power Cell Parts List

NO	PART NO.	PART NAME	QTY	ALTERNATE P/N
513	CHB1506340	TOOL PIN	1	
514	CHB1506350	BUSHING PIN	2	
515	CHB1806580	RUBBER PLUG	2	571800
516	CHB1806570	SNAP RING	2	
	CHB130606A	SIDE ROD SUB ASSY	1	
601	CHB1507030	RUBBER RING	4	
602	CHB1306250	LOCK WASHER	4	
603	CHB1306100	SIDE ROD	4	
604	CHB1306110	SIDE ROD NUT	4	
701	CHB1506100	ACC. COVER BOLT	8	
702	CHB1406140	DISTRIBUTOR	1	
703	CHB1406050	PISTON	1	
704	CHA2506420	GUIDE PIN	2	

****Note: For CH100 Tool Bit information, see 61****

Connect Work Tools Small Series Breaker Model CH100



Small Series Breakers

Models

CH65

CH65H

CH65P

CH70EX

CH70SS

CH75

CH75H

CH85

CH95

CH100

Housings

4.0 Housings - CH65

4.1 CH65 Side-Plated Flat Top Bracket

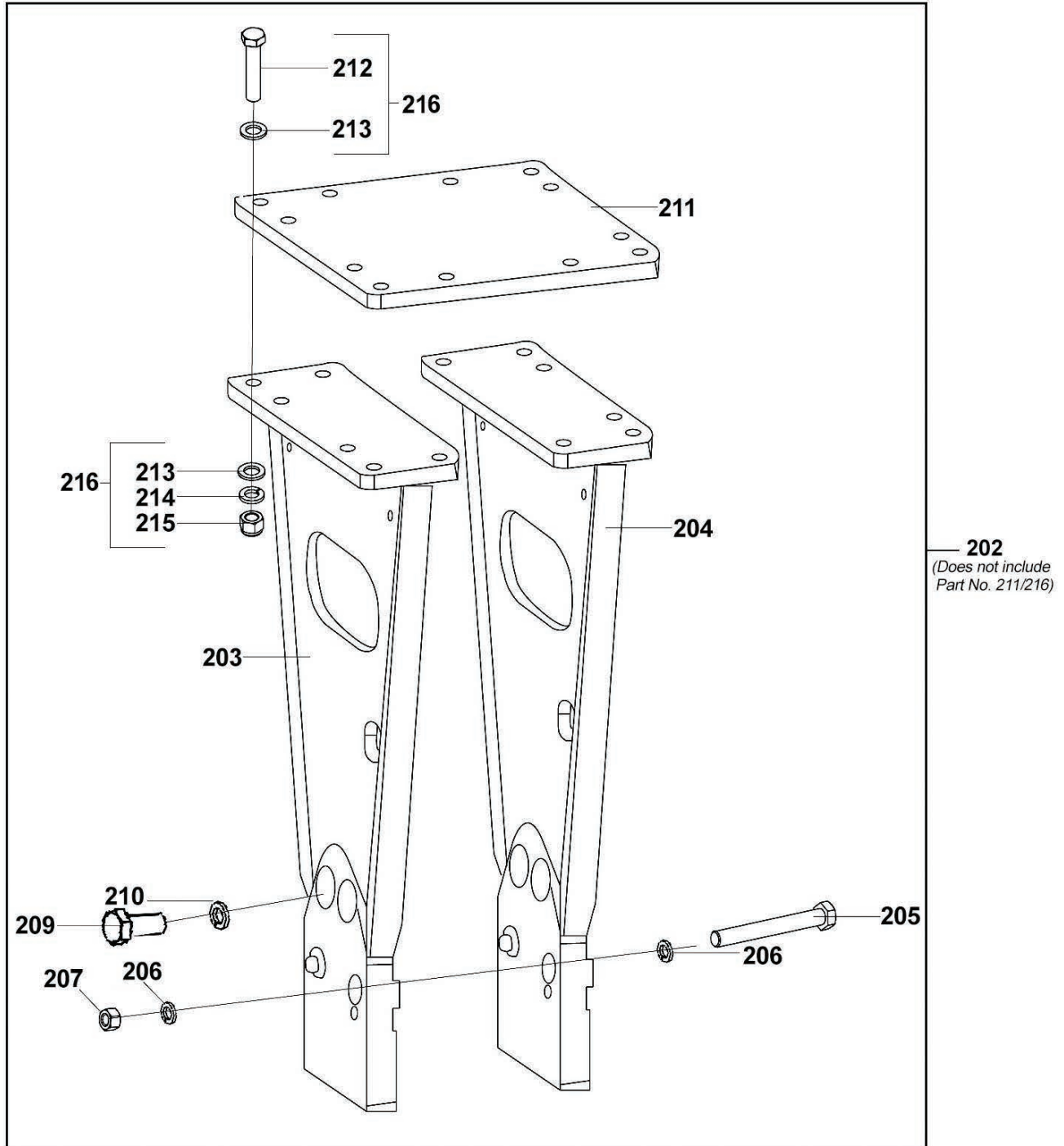


Fig.4.1 CH65 Side-Plated Flat Top Bracket

4.0 Housings - CH65

4.1 CH65 Side-Plated Flat Top Bracket Parts List

NO	PART NO.	PART NAME	QTY	ALTERNATE P/N
202	CHB040A300	HOUSING TOTAL ASSY CH65	1	571035
203	CHB040A31A	MAIN PLATE-L/H W.A	1	
204	CHB040A31B	MAIN PLATE-R/H W.A	1	
205	CHHB1825230	BOLT (JOINT BOLT)	2	571026
206	CHNDLW1800	NORD LOCK WASHER	4	
207	CHNN182500	NYLON LOCK NUT	2	CHNN182300/679423
209	CHHB2430050	BOLT (UPPER)	4	658525
210	CHNDLW2400	NORD LOCK WASHER	4	50-00775
211	CHE00100	CH70/CH75 MOUNTING PLATE	1	570106
212	CHHB1825080	BOLT (MOUNTING PLATE)	12	CHHB1620070
213	CHPW180000	PLAIN WASHER	24	CHPW160000
214	CHSW180000	SPRING WASHER	12	CHSW160000
215	CHNN182500	NUT (MOUNTING PLATE)	12	CHNN162000
216	CHB300BTPBK	MOUNTING BOLT KIT (INCLUDES 212/213/214/215)	1	CHB200BTPBK

4.0 Housings - CH65H

4.2 CH65 Housed

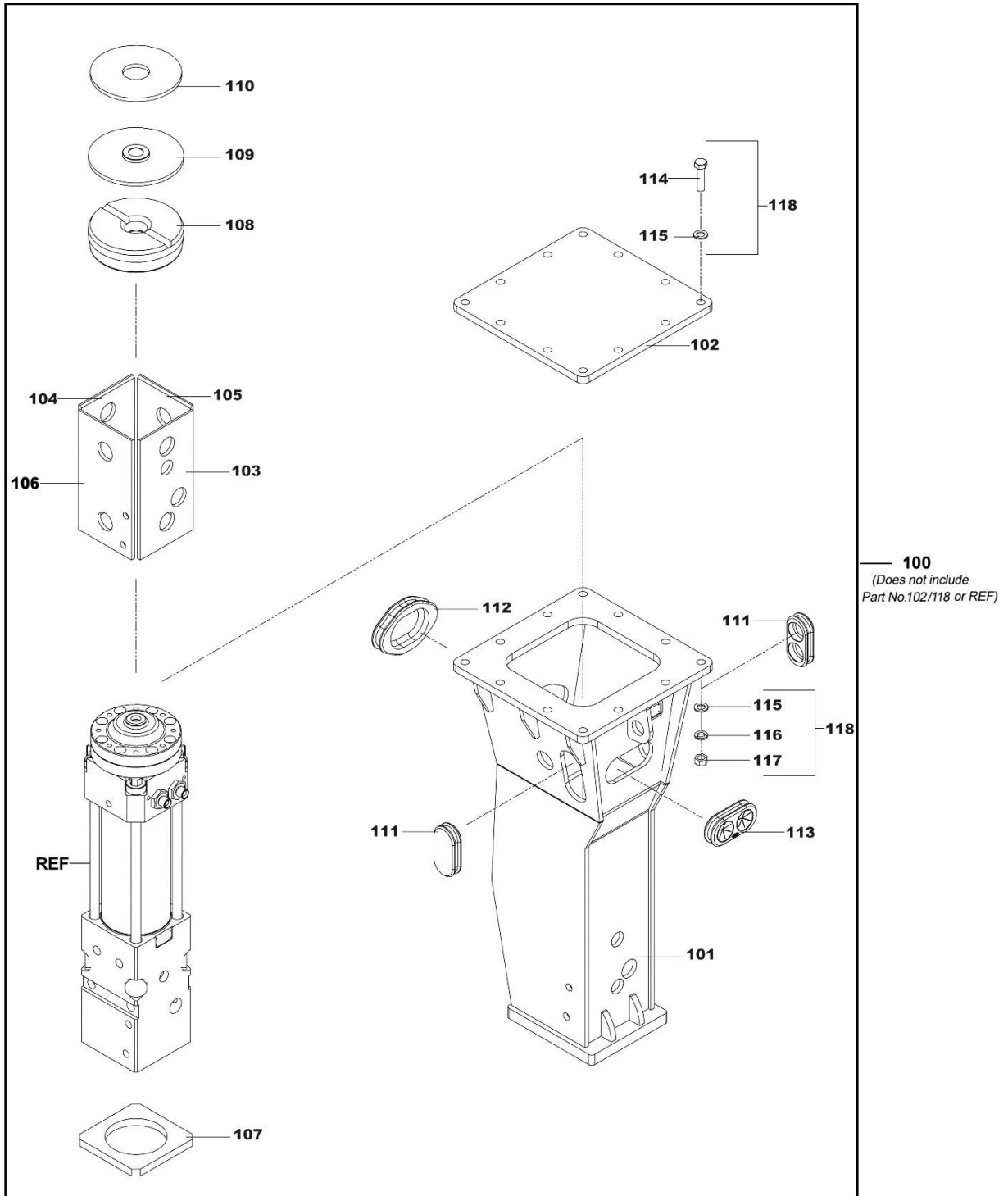


Fig.4.2 CH65 Housed

4.0 Housings - CH65H

4.2 CH65 Housed Parts List

NO	PART NO.	PART NAME	QTY	ALTERNATE P/N
100	CHB040A700	HOUSING TOTAL ASSY CH65H	1	
101	CHB0407010	HOUSING WELDING ASSY	1	
102	CHE00100	CH70/CH75 MOUNTING PLATE	1	
103	CHB0400030	WEAR PLATE	1	
104	CHB0400040	WEAR PLATE	1	
105	CHB0400050	WEAR PLATE	1	
106	CHB0400060	WEAR PLATE	1	
107	CHB0400070	BASE BUFFER	1	
108	CHB0400080	TOP BUFFER	1	
109	CHB0400090	TOP PLATE ASSY	1	
110	CHB0400100	TOP WEARING PLATE	1	
111	CHB0400110	RUBBER	2	
112	CHB0400120	RUBBER	1	
113	CHB0400130	RUBBER	1	
114	CHHB1825080	HEX. BOLT	12	
115	CHPW1800000	PLAN WASHER	24	
116	CHSW1800000	SPRING WASHER	12	
117	CHNN182500	NYLON LOCK NUT	12	
118	CHB300BTPBK	MOUNTING BOLT KIT (INCLUDES 114/115/116/117)	1	CHB200BTPBK

4.0 Housings - CH65P

4.3 CH65 Pin On Side Plate

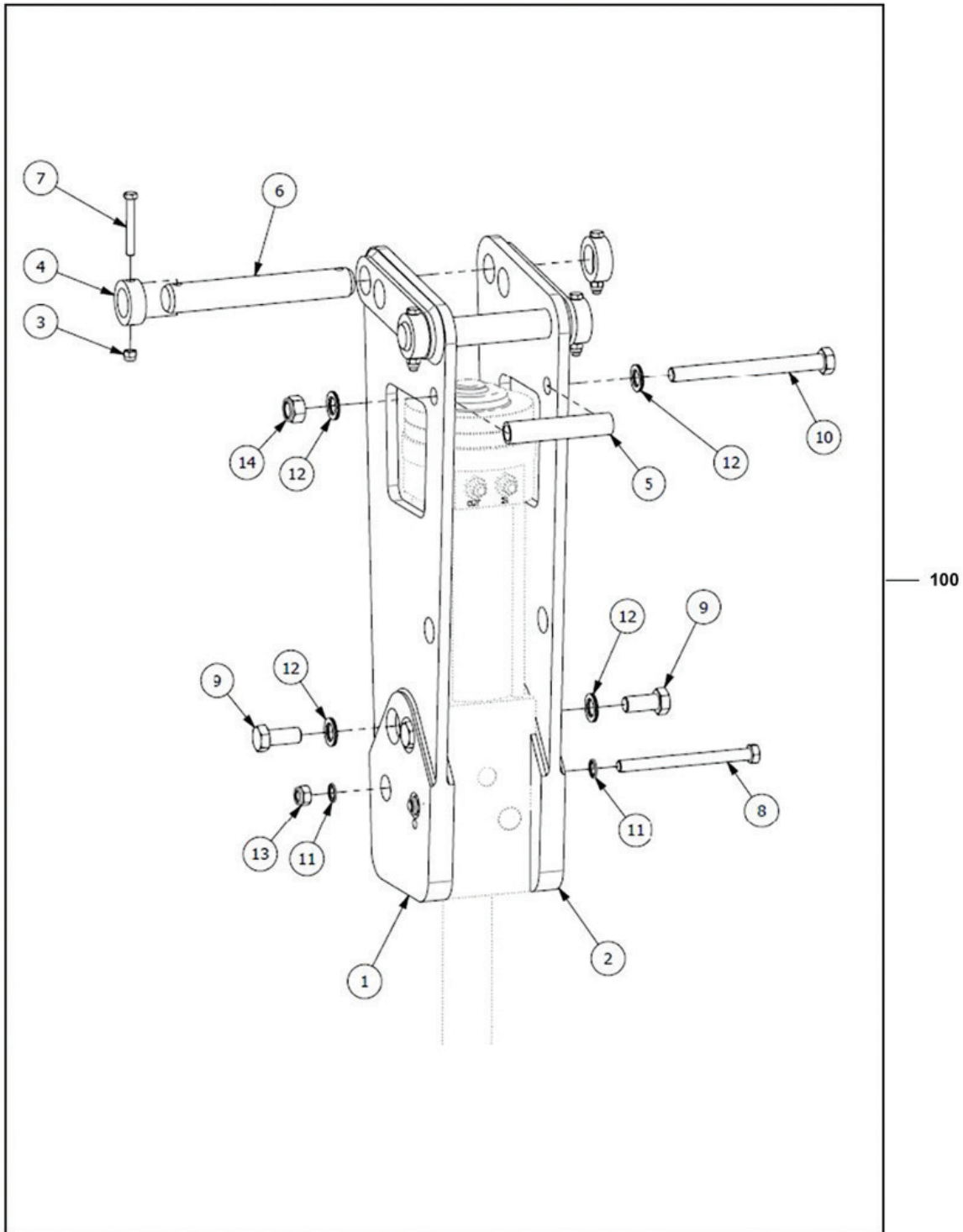


Fig.4.3 CH65 Pin On Side Plate

4.0 Housings - CH70P

4.3 CH65 Pin On Side Plate

NO	PART NO.	PART NAME	QTY	ALTERNATE P/N
100	CHB041A000	HOUSING TOTAL ASSY CH65P	1	
1	CHB041A110-00	HOUSING WELD ASSY(R)	1	
2	CHB041A120-00	HOUSING WELD ASSY(L)	1	
3	CCNN121700	NUT NYLOCK M12 - 1.75	4	
4	CHA06BYGB0	COLLAR FLOATING 45MM	4	
5	CHB040A050	SPACER	1	
6	CHB041A060	MOUNTING PIN 45MM X 12.125	2	
7	CHHB1217090	HH CS M12 - 1.75 X 90	4	
8	CHHB1825220	HH CS M18 - 2.50 X 220	2	
9	CHHB2430050	HH CS M24 - 3.0 X 55	4	
10	CHHB2430250	HH CS M24 - 3.00 X 250	1	
11	CHNDLW1800	NORDLOCK WASHER M18	4	
12	CHNDLW2400	NORDLOCK WASHER M24	6	
13	CHNN182500	NUT NYLOCK M18 - 2.50	2	
14	CHNN243000	NUT NYLOCK M24 - 3.00	1	

4.0 Housings - CH70EX/CH70SS

4.4 CH70EX/CH70SS Skid Loader

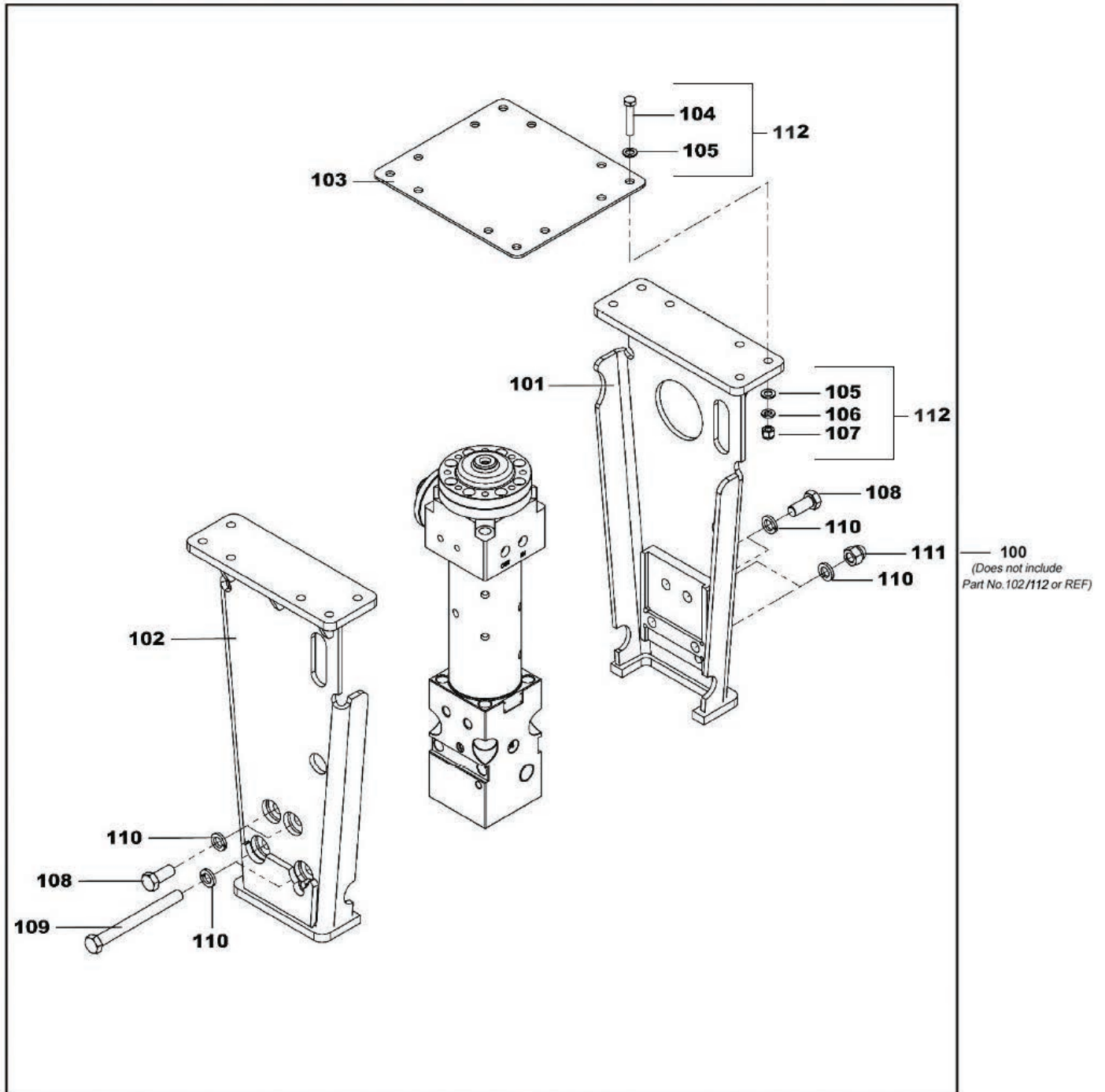


Fig.4.4 CH70EX/CH70SS Skid Loader

4.0 Housings - CH70EX/CH70SS

4.4 CH70EX/CH70SS Skid Loader Parts List

NO	PART NO.	PART NAME	QTY	ALTERNATE P/N
100	CHB0504100	HOUSING TOTAL ASSY CH70EX/CH70SS	1	
101	CHB0504110	HOUSING W.A RH	1	
102	CHB0504120	HOUSING W.A LH	1	
103	CHE00100	PLATE	1	CHB040A370/CHHB162008
104	CHHB1820080	HEX. BOLT	12	50-00099/CHPW160000
105	CHPW180000	PLAIN WASHER	24	CHPW160000
106	CHSW180000	SPRING WASHER	12	CHSW160000
107	CHNN182500	NYLON LOCK NUT	12	CHNN162000
108	CHHB2430050	HEX. BOLT	4	50-00722
109	CHHB2430250	HEX. BOLT	2	
110	CHNDLW2400	NORD LOCK WASHER	8	50-00775
111	CHNN243000	NYLON LOCK NUT	2	
112	CHB300BTPBK	MOUNTING BOLT KIT - CH70EX ONLY (INCLUDES 104/105/106/107)	1	CHB200BTPBK

4.0 Housings - CH75

4.5 CH75 Side-Plated

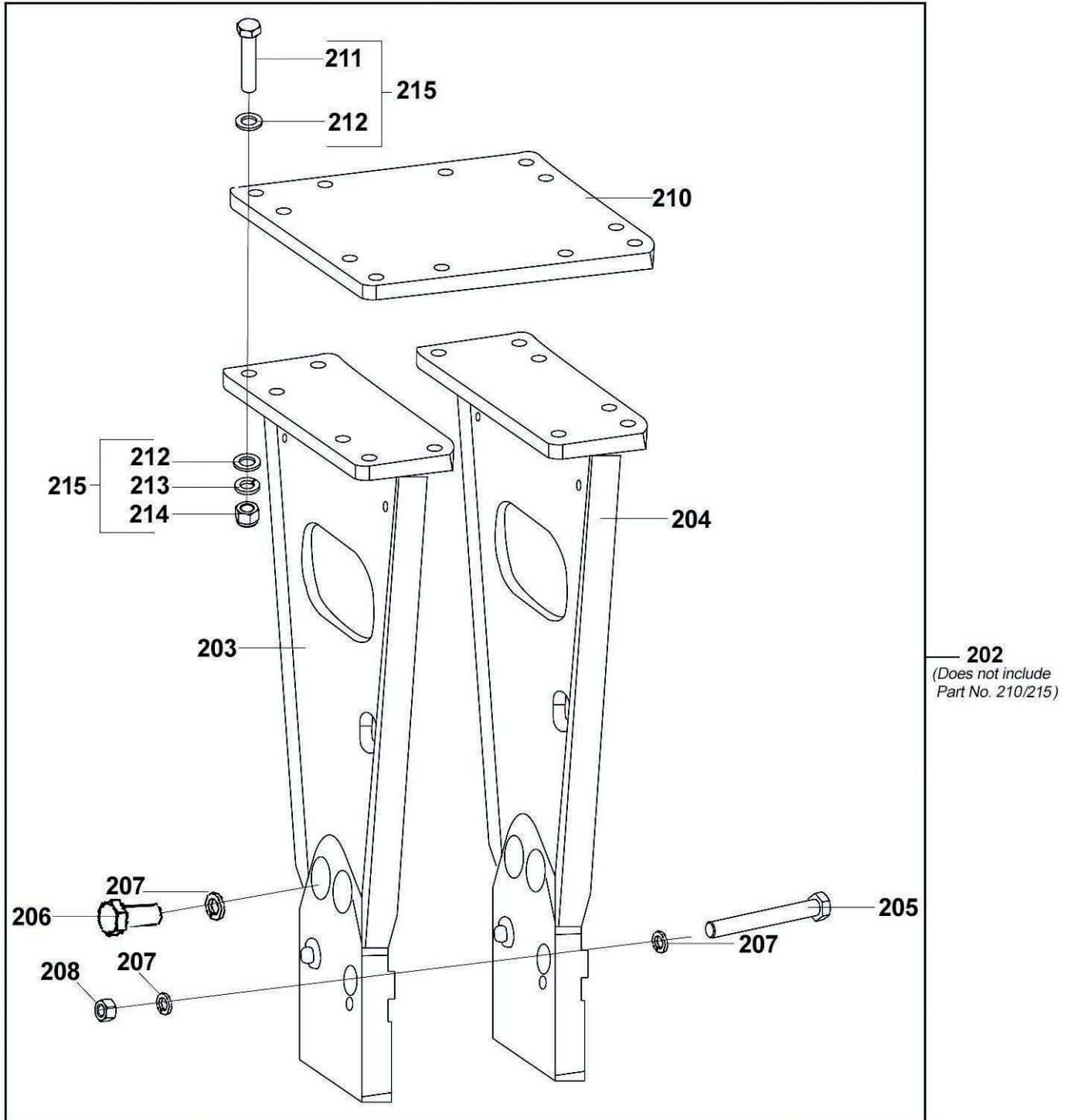


Fig.4.5 CH75 Side-Plated

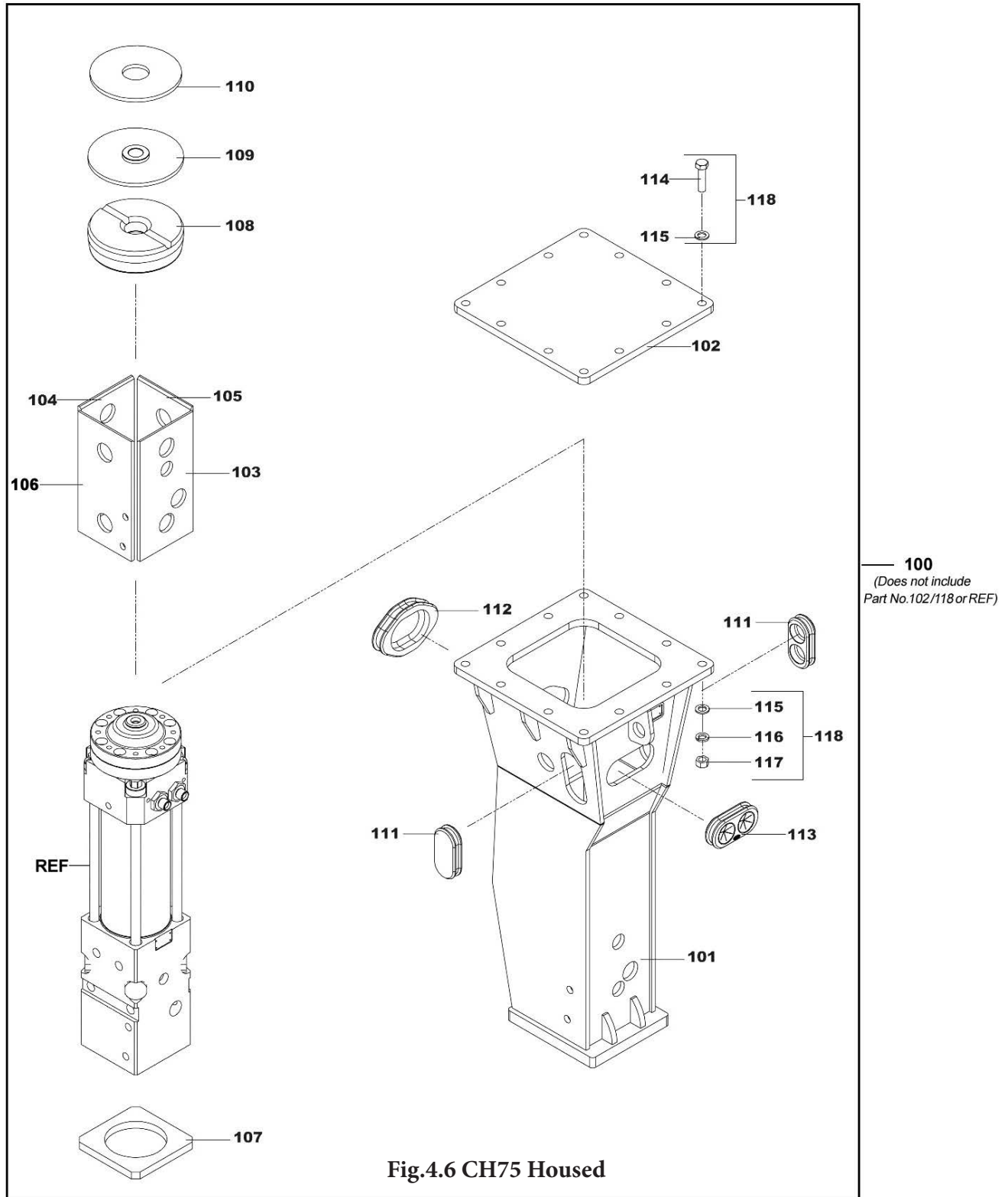
4.0 Housings - CH75

4.5 CH75 Side-Plated Parts List

NO	PART NO.	PART NAME	QTY	ALTERNATE P/N
202	CHB060A500	HOUSING TOTAL ASSY CH75	1	571040
203	CHB060A51A	MAIN PLATE-L/H W.A	1	
204	CHB060A51B	MAIN PLATE-R/H W.A	1	
205	CHHB2430260	BOLT (JOINT BOLT)	2	658526
206	CHHB2430050	BOLT(UPPER)	4	658525
207	CHNDLW2400	NORD LOCK WASHER	8	50-00775
208	CHNN243000	NYLON LOCK NUT	2	
210	CHE00100	CH70/CH75 MOUNTING PLATE	1	570106
211	CHHB1825080	BOLT (MOUNTING PLATE)	12	CHHB1620070
212	CHPW180000	PLAN WASHER	24	CHPW160000
213	CHSW180000	SPRING WASHER	12	CHSW160000
214	CHNN182500	NUT (MOUNTING PLATE)	12	CHNN162000
215	CHB300BTPBK	MOUNTING BOLT KIT (INCLUDES 211/212/213/214)	1	CHB200BTPBK

4.0 Housings - CH75H

4.6 CH75 Housed



Connect Work Tools Small Series Breaker Model CH75 Housed

4.0 Housings - CH75H

4.6 CH75 Housed Parts List

NO	PART NO.	PART NAME	QTY	ALTERNATE P/N
100	CHB060A700	HOUSING TOTAL ASSY CH75	1	
101	CHB060A710	HOUSING WELD ASSY CH75	1	
102	CHE00100	CH70/CH75 MOUNTING PLATE	1	570106
103	CHB0600030	WEAR PLATE	1	
104	CHB0600040	WEAR PLATE	1	
105	CHB0600050	WEAR PLATE	1	
106	CHB0600060	WEAR PLATE	1	
107	CHB0600070	BASE BUFFER	1	
108	CHB0800080	TOP BUFFER	1	
109	CHB0800090	TOP PLATE ASSY	1	
110	CHB0800100	TOP WEAR PLATE	1	
111	CHB0806800	SIDE RUBBER	2	
112	CHB0806810	REAR RUBBER	1	
113	CHB0806820	FRONT RUBBER	1	
114	CHHB1825080	MOUNTING PLATE BOLT	12	CHHB1620080
115	CHPW180000	PLAIN WASHER	24	CHPW160000
116	CHSW180000	SPRING WASHER	12	CHSW160000
117	CHNN182500	MOUNTING PLATE NUT	12	CHNN162000
118	CHB300BTPBK	MOUNTING BOLT KIT (INCLUDES 114/115/116/117)	1	CHB200BTPBK

4.0 Housings - CH85

4.7 CH85 Housed

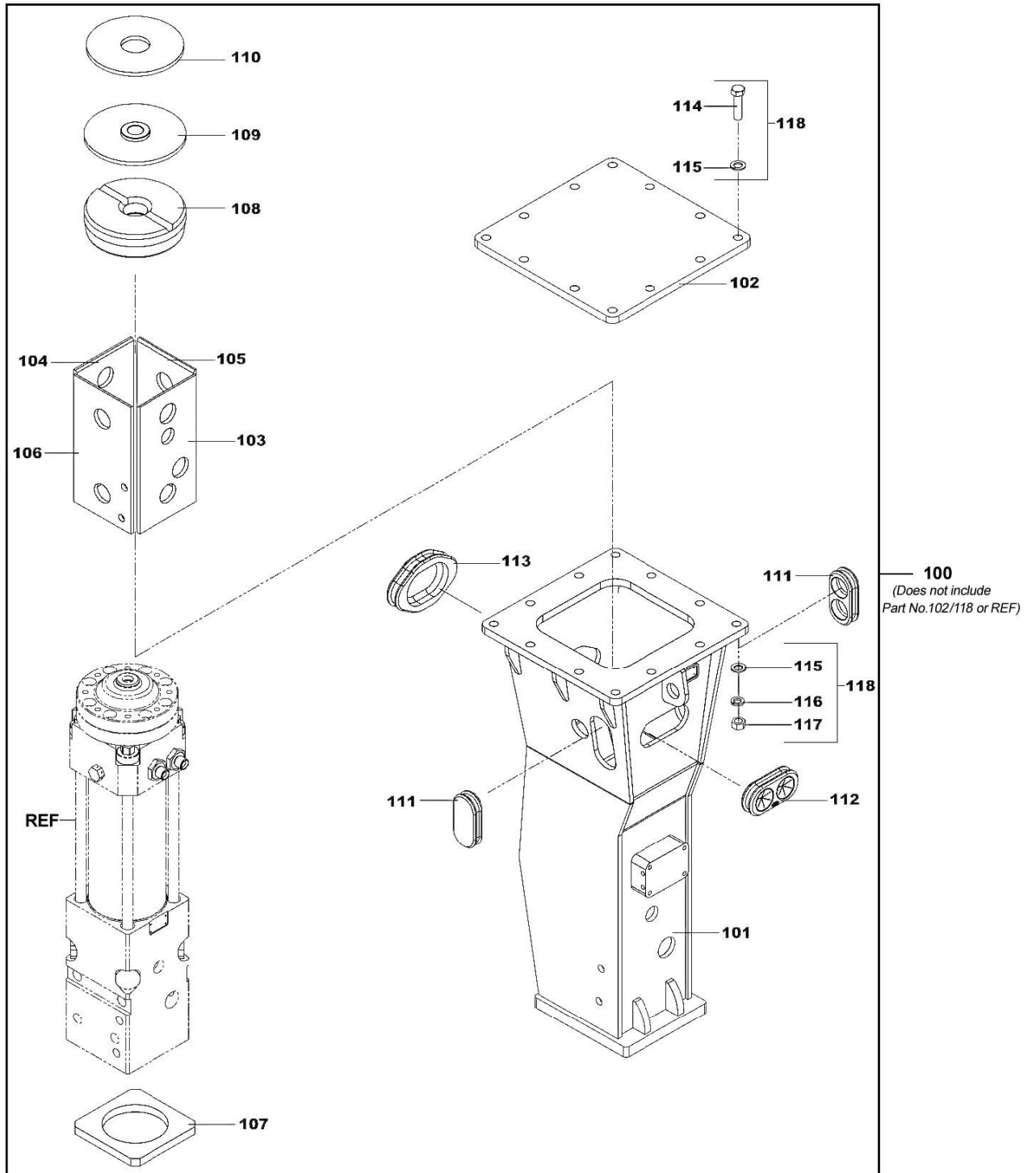


Fig.4.7 CH85 Housed

Connect Work Tools Small Series Breaker Model CH85 Housed

4.0 Housings - CH85

4.7 CH85 Housed Parts List

NO	PART NO.	PART NAME	QTY	ALTERNATE P/N
100	CHB080R200	HOUSING TOTAL ASSY CH85	1	
101	CHB080R210	HOUSING WELD ASSY CH85	1	
102	CHE00101	CH85/CH95 MOUNTING PLATE	1	576788
103	CHB0800060	WEAR PLATE	1	
104	CHB0800050	WEAR PLATE	1	
105	CHB0800040	WEAR PLATE	1	
106	CHB0800030	WEAR PLATE	1	
107	CHB0800070	BASE BUFFER	1	
108	CHB0800080	TOP BUFFER	1	
109	CHB0800090	TOP PLATE ASSY	1	
110	CHB0800100	TOP WEAR PLATE	1	
111	CHB0806800	RUBBER	2	
112	CHB0806820	RUBBER	1	
113	CHB0806810	RUBBER	1	
114	CHHB1825080	HEX BOLT	12	
115	CHPW180000	PLAIN WASHER	24	
116	CHSW180000	SPRING WASHER	12	
117	CHNN182500	NYLON LOCK NUT	12	
118	CHB300BTPBK	MOUNTING BOLT KIT (INCLUDES 114/115/116/117)	1	

4.0 Housings - CH95

4.8 CH95 Housed

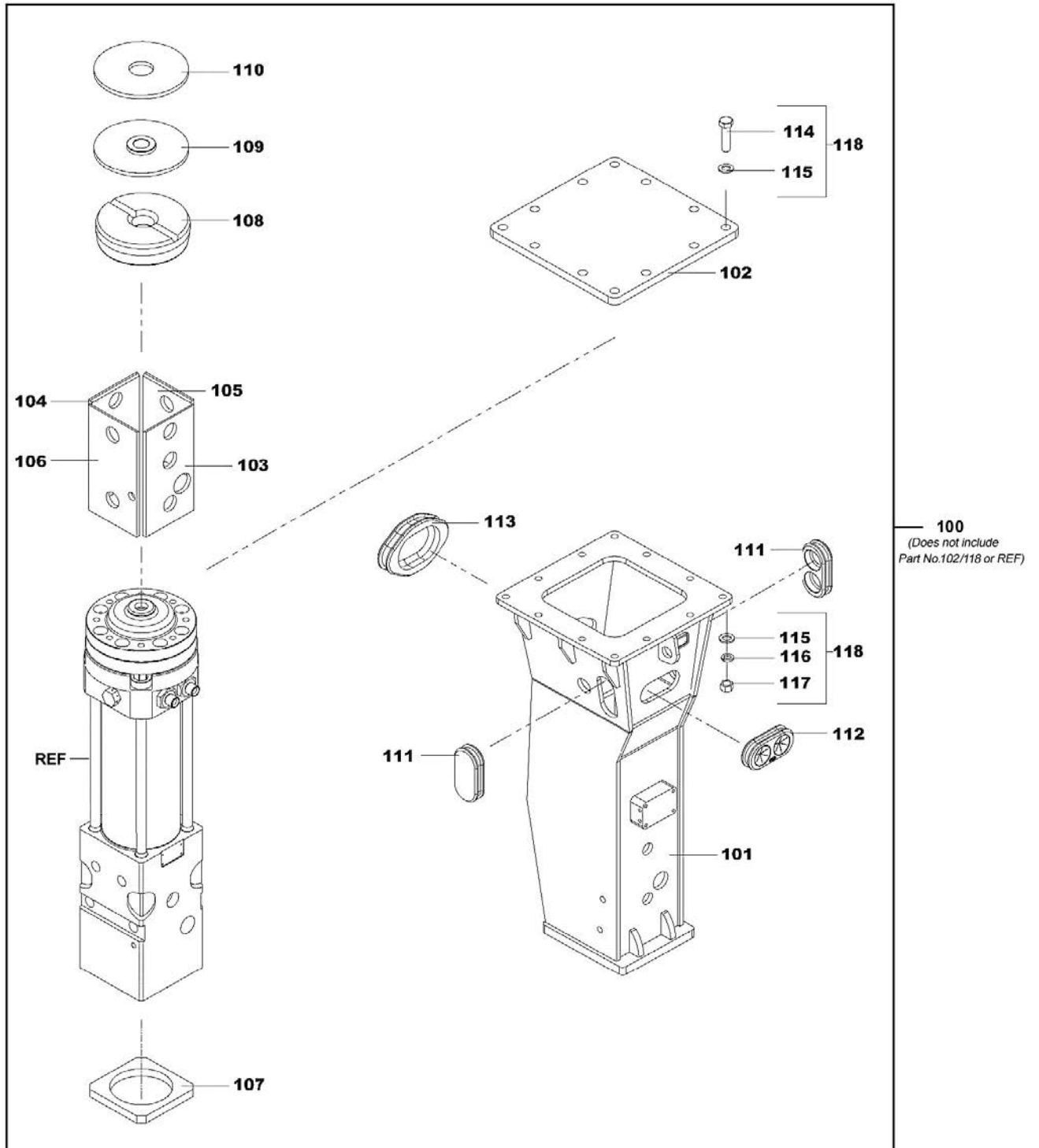


Fig.4.8 CH95 Housed

Connect Work Tools Small Series Breaker Model CH95 Housed

4.0 Housings - CH95

4.8 CH95 Housed Parts List

NO	PART NO.	PART NAME	QTY	ALTERNATE P/N
100	CHB400EXO1B	HOUSING TOTAL ASSY CH95	1	CHB100R200
101	CHB100R210	HOUSING WELD ASSY CH95	1	
102	CHE00101	CH85/CH95 MOUNTING PLATE	1	576788
103	CHB1000060	WEAR PLATE	1	
104	CHB1000050	WEAR PLATE	1	
105	CHB1000040	WEAR PLATE	1	
106	CHB1000030	WEAR PLATE	1	
107	CHB1000070	BASE BUFFER	1	
108	CHB1000080	TOP BUFFER	1	
109	CHB1000090	TOP PLATE ASSY	1	
110	CHB1000100	TOP WEAR PLATE	1	
111	CHB1006800	RUBBER	2	
112	CHB0806820	RUBBER	1	
113	CHB1000130	RUBBER	1	
114	CHHB1825080	HEX. BOLT	12	
115	CHPW180000	PLAIN WASHER	24	
116	CHSW180000	SPRING WASHER	12	
117	CHNN182500	NYLON LOCK NUT	12	
118	CHB300BTPBK	MOUNTING BOLT KIT (INCLUDES 114/115/116/117)	1	

4.0 Housings - CH100

4.9 CH100 Housed

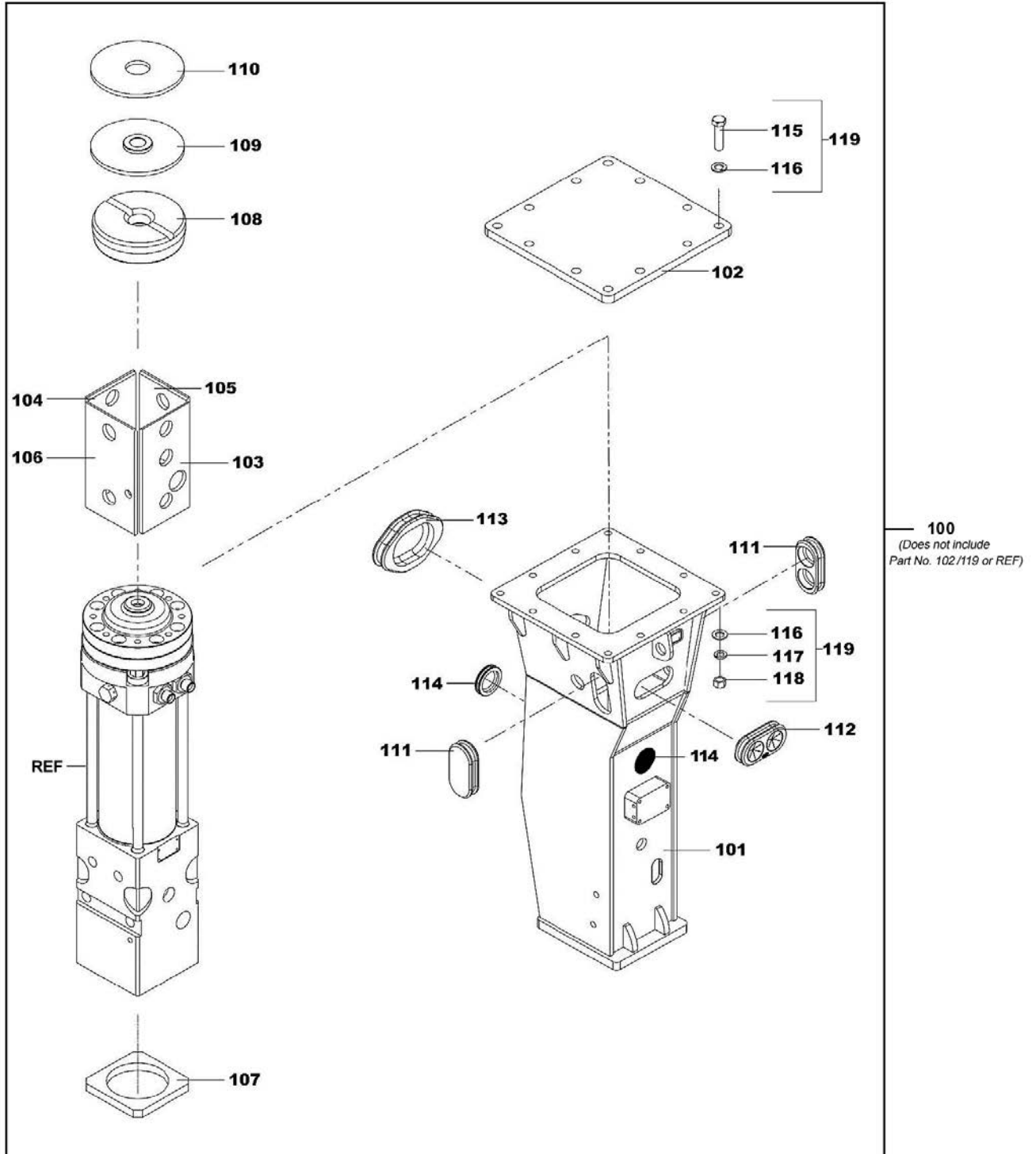


Fig.4.9 CH100 Housed

Connect Work Tools Small Series Breaker Model CH100 Housed

4.0 Housings - CH100

4.9 CH100 Housed Parts List

NO	PART NO.	PART NAME	QTY	ALTERNATE P/N
100	CHB1308400	HOUSING TOTAL ASSY CH100	1	
101	CHB1308410	HOUSING WELD ASSY	1	
102	CHE00644	MOUNTING PLATE	1	
103	CHB1300150	WEARING PLATE	1	
104	CHB1300040	WEARING PLATE	1	
105	CHB1300050	WEARING PLATE	1	
106	CHB1300060	WEARING PLATE	1	
107	CHB1300070	BASE BUFFER	1	
108	CHB1300080	TOP BUFFER	1	
109	CHB1300090	TOP PLATE ASSY	1	
110	CHB1300100	TOP WEARING PLATE	1	
111	CHB1306800	RUBBER	2	
112	CHB1306820	RUBBER	1	
113	CHB1306810	RUBBER	1	
114	CHB1601460	RUBBER	1	
115	CHHB1825080	HEX. BOLT	12	
116	CHPW180000	PLAIN WASHER	24	
117	CHSW180000	SPRING WASHER	12	
118	CHNN182500	NYLON LOCK NUT	12	
119	CHB300BTPBK	MOUNTING BOLT KIT (INCLUDES 115/116/117/118)	1	

5.0 Seal Kits

5.1 CH65/CH65H/CH65P Seal Kits

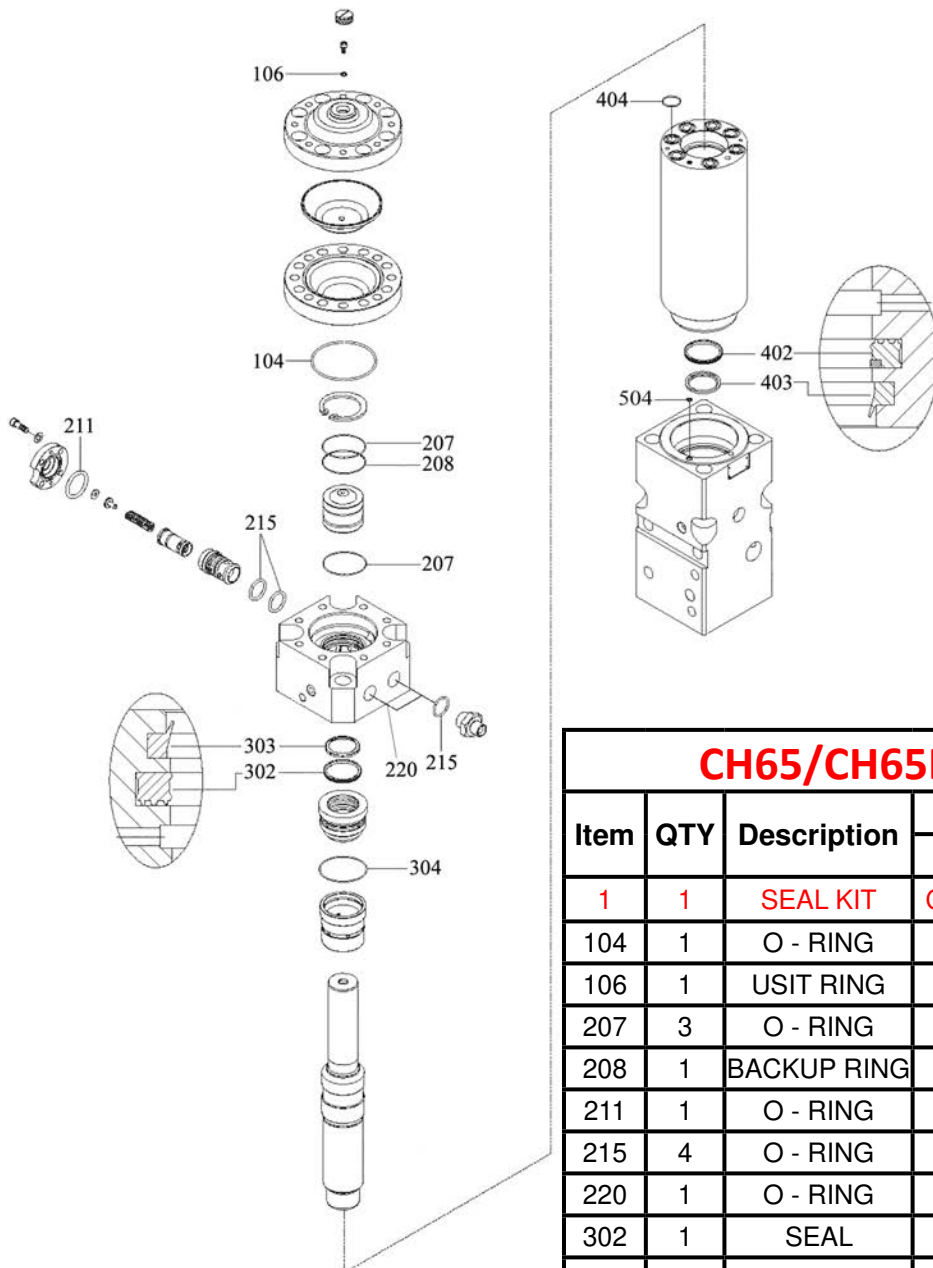


Fig.5.1 CH65/CH65H/CH65P Seal Kits

CH65/CH65H/CH65P SEAL KIT				
Item	QTY	Description	Model CH65/CH65H/CH65P	
			Part Number	Assembly Location
1	1	SEAL KIT	CHB0407650HX	
104	1	O - RING	CHB2507120	ACC. BOTTOM
106	1	USIT RING	CHB4007020	ACC. COVER
207	3	O - RING	CHB4007200	V/V, SEAL HOUSING
208	1	BACKUP RING	CHB0407080	V/V HOUSING
211	1	O - RING	CHB2507290	OPER. V/V COVER
215	4	O - RING	CHA2007110	ADAPTER, V/V GUIDE
220	1	O - RING	CHA0607130	V/V HOUSING
302	1	SEAL	CHB0407090	SEAL HOUSING
303	1	WIPER	CHB0407100	SEAL HOUSING
402	1	SEAL	CHB0407110	CYLINDER
403	1	WIPER	CHB0407120	CYLINDER
404	7	O - RING	CHB0407150	CYLINDER
504	1	O - RING	CHB7507290	FRONT HEAD

5.0 Seal Kits

5.2 CH70EX/CH70SS Seal Kits

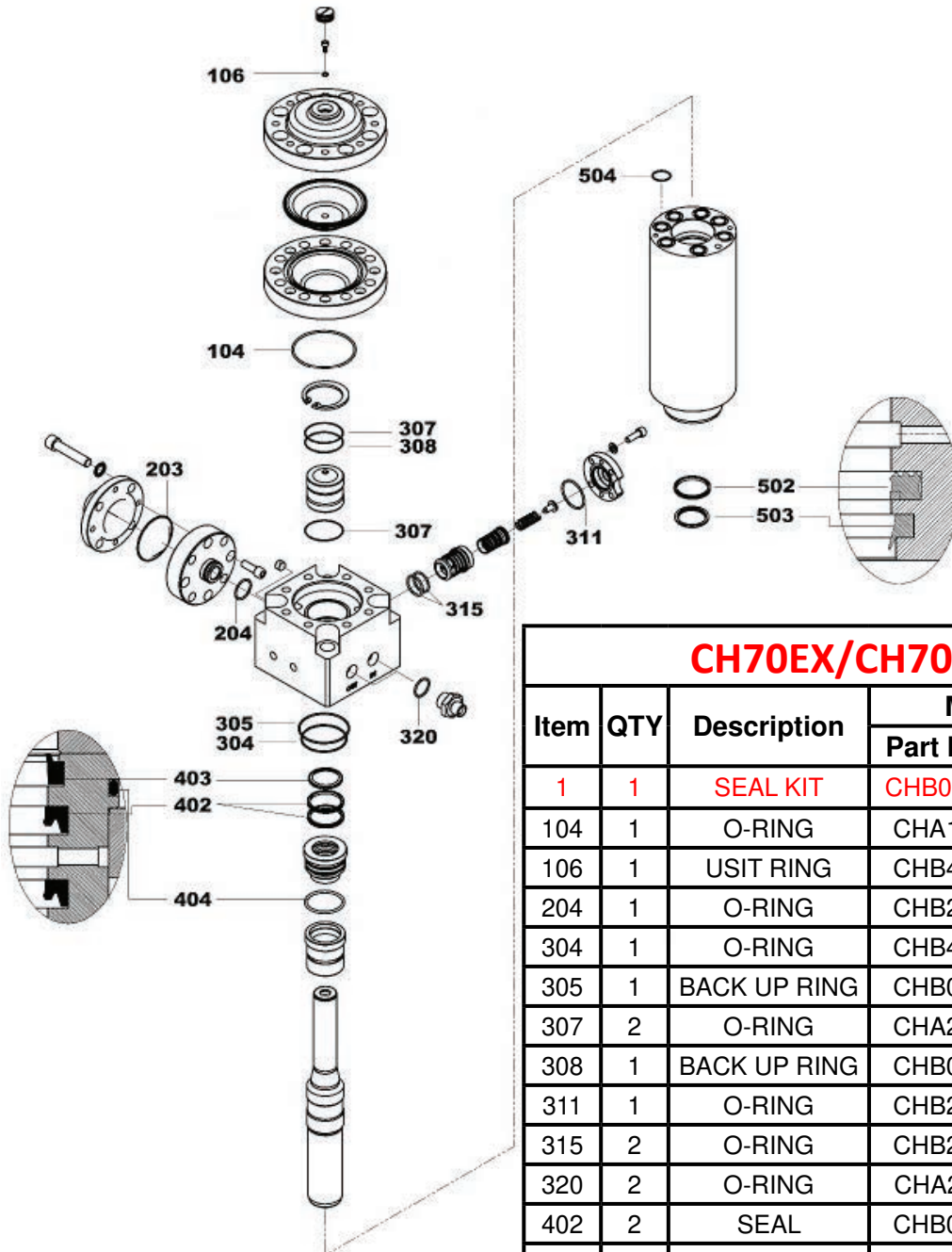


Fig.5.2 CH70EX/CH70SS Seal Kits

CH70EX/CH70SS SEAL KIT

Item	QTY	Description	Model CH70EX/CH70SS	
			Part Number	Assembly Location
1	1	SEAL KIT	CHB0507600P	
104	1	O-RING	CHA1007010	ACC. Bottom
106	1	USIT RING	CHB4007020	ACC Top Cover
204	1	O-RING	CHB2507290	ACC. Side (Low Side)
304	1	O-RING	CHB4007200	V/V HOUSING
305	1	BACK UP RING	CHB0507070	V/V HOUSING
307	2	O-RING	CHA2507310	V/V HOUSING
308	1	BACK UP RING	CHB0507020	V/V HOUSING
311	1	O-RING	CHB2507200	V/V HOUSING
315	2	O-RING	CHB2507290	V/V HOUSING
320	2	O-RING	CHA2007110	ADAPTERS
402	2	SEAL	CHB0507030	SEAL HOUSING
403	1	WIPER	CHB0507040	SEAL HOUSING
404	1	O-RING	CHB4007240	SEAL HOUSING
502	1	SEAL	CHB0507050	CYLINDER
503	1	WIPER	CHB0507060	CYLINDER
504	7	O-RING	CHB0507080	CYLINDER

5.0 Seal Kits

5.3 CH75/CH75H Seal Kits

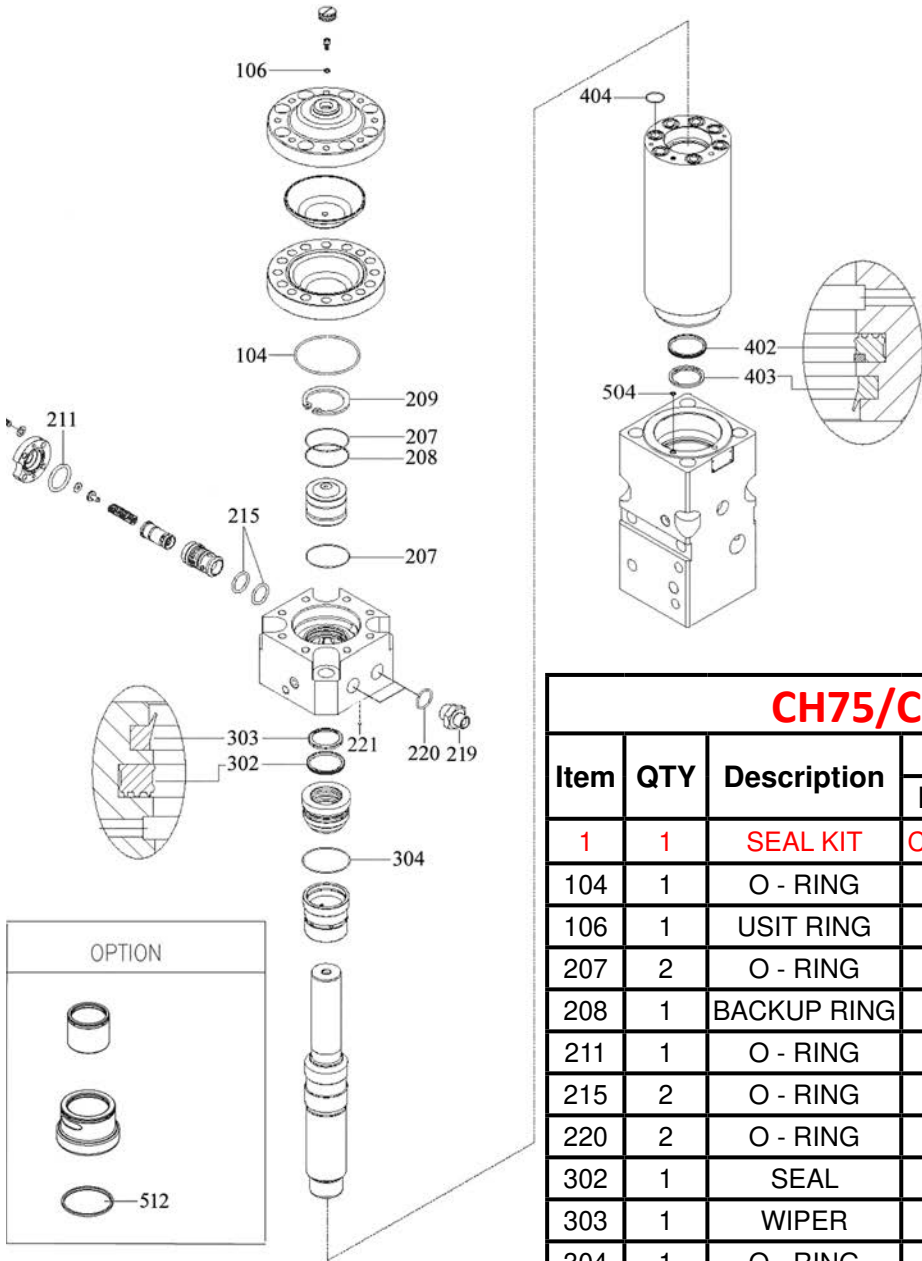


Fig.5.3 CH75/CH75H Seal Kits

CH75/CH75H SEAL KIT				
Item	QTY	Description	Model CH75/CH75H	
			Part Number	Assembly Location
1	1	SEAL KIT	CHB0607650HX	
104	1	O - RING	CHB0607060	ACC. BOTTOM
106	1	USIT RING	CHB4007020	ACC. COVER
207	2	O - RING	CHB4007240	V/V HOUSING
208	1	BACKUP RING	CHB0807080	V/V HOUSING
211	1	O - RING	CHB2507200	OPER. V/V COVER
215	2	O - RING	CHB2507290	OPER. V/V GUIDE
220	2	O - RING	CHA0307060	ADAPTER
302	1	SEAL	CHB0807090	SEAL HOUSING
303	1	WIPER	CHB0807100	SEAL HOUSING
304	1	O - RING	CHA2007120	SEAL HOUSING
402	1	SEAL	CHB1307090	CYLINDER
403	1	WIPER	CHB1307100	CYLINDER
404	7	O - RING	CHB0607150	CYLINDER
512	1	WIPER	CHB0607160	TOOL BUSHING(OPTION)
221	2	O - RING	CHA2007220	V/V HOUSING FRONT HEAD
504	2	O - RING		

5.0 Seal Kits

5.4 CH85 Seal Kit

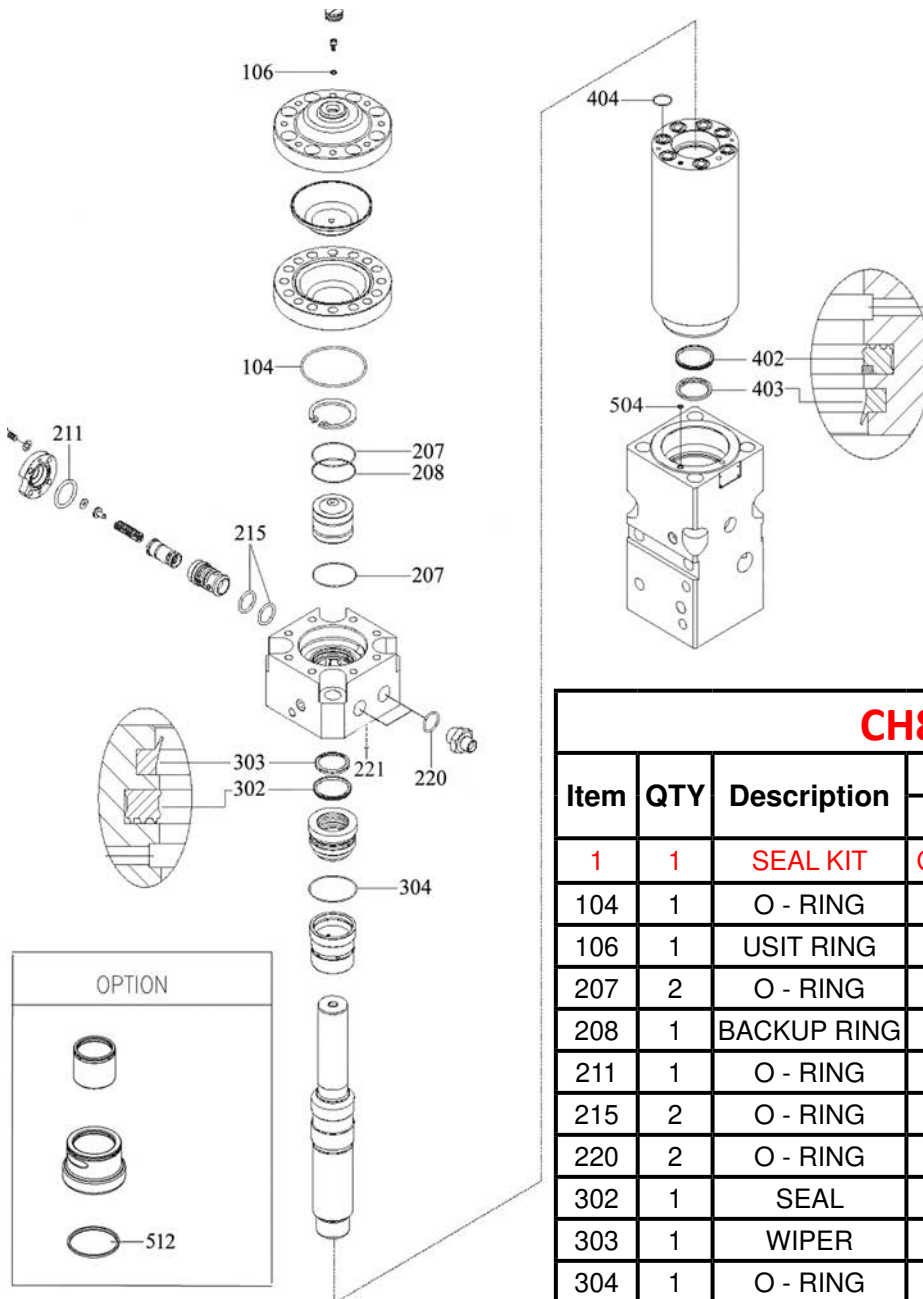


Fig.5.4 CH85 Seal Kit

CH85 SEAL KIT				
Item	QTY	Description	Model CH85	
			Part Number	Assembly Location
1	1	SEAL KIT	CHB0807650HX	
104	1	O - RING	CHA1207010	ACC. BOTTOM
106	1	USIT RING	CHB4007020	ACC. COVER
207	2	O - RING	CHB4007240	V/V HOUSING
208	1	BACKUP RING	CHB0807080	V/V HOUSING
211	1	O - RING	CHB2507200	OPER. V/V COVER
215	2	O - RING	CHB2507290	OPER. V/V GUIDE
220	2	O - RING	CHA0307060	ADAPTER
302	1	SEAL	CHB0807090	SEAL HOUSING
303	1	WIPER	CHB0807100	SEAL HOUSING
304	1	O - RING	CHA2007120	SEAL HOUSING
402	1	SEAL	CHB1307090	CYLINDER
403	1	WIPER	CHB1307100	CYLINDER
404	7	O - RING	CHA2007110	CYLINDER
512	1	WIPER	CHB0807160	TOOL BUSHING(OPTION)
221 504	2	O - RING	CHA0607130	V/V HOUSING FRONT HEAD

5.0 Seal Kits

5.5 CH95 Seal Kit

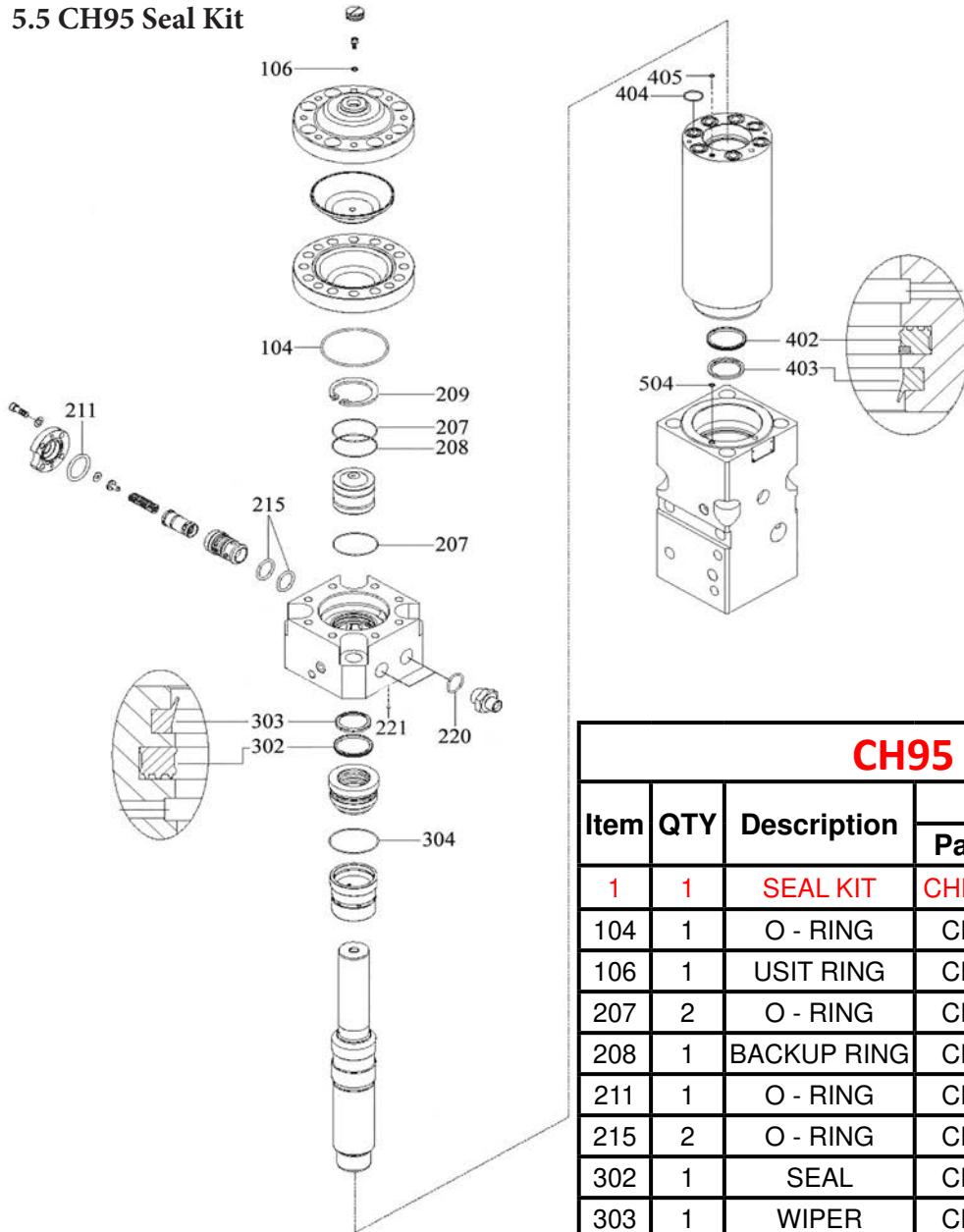


Fig.5.5 CH95 Seal Kit

CH95 SEAL KIT

Item	QTY	Description	Model CH95	
			Part Number	Assembly Location
1	1	SEAL KIT	CHB1007650HX	
104	1	O - RING	CHA1207010	ACC. BOTTOM
106	1	USIT RING	CHB4007020	ACC. COVER
207	2	O - RING	CHB1507120	V/V HOUSING
208	1	BACKUP RING	CHB1007080	V/V HOUSING
211	1	O - RING	CHB2507200	OPER. V/V COVER
215	2	O - RING	CHB2507290	OPER. V/V GUIDE
302	1	SEAL	CHB1007090	SEAL HOUSING
303	1	WIPER	CHB1007100	SEAL HOUSING
304	1	O - RING	CHA0607010	SEAL HOUSING
402	1	SEAL	CHB1007110	CYLINDER
403	1	WIPER	CHB1007120	CYLINDER
220 404	9	O - RING	CHA2007110	ADAPTER, CYLINDER
405 221	2	O - RING	CHA2007220	V/V HOUSING, CYLINDER

5.0 Seal Kits

5.6 CH100 Seal Kit

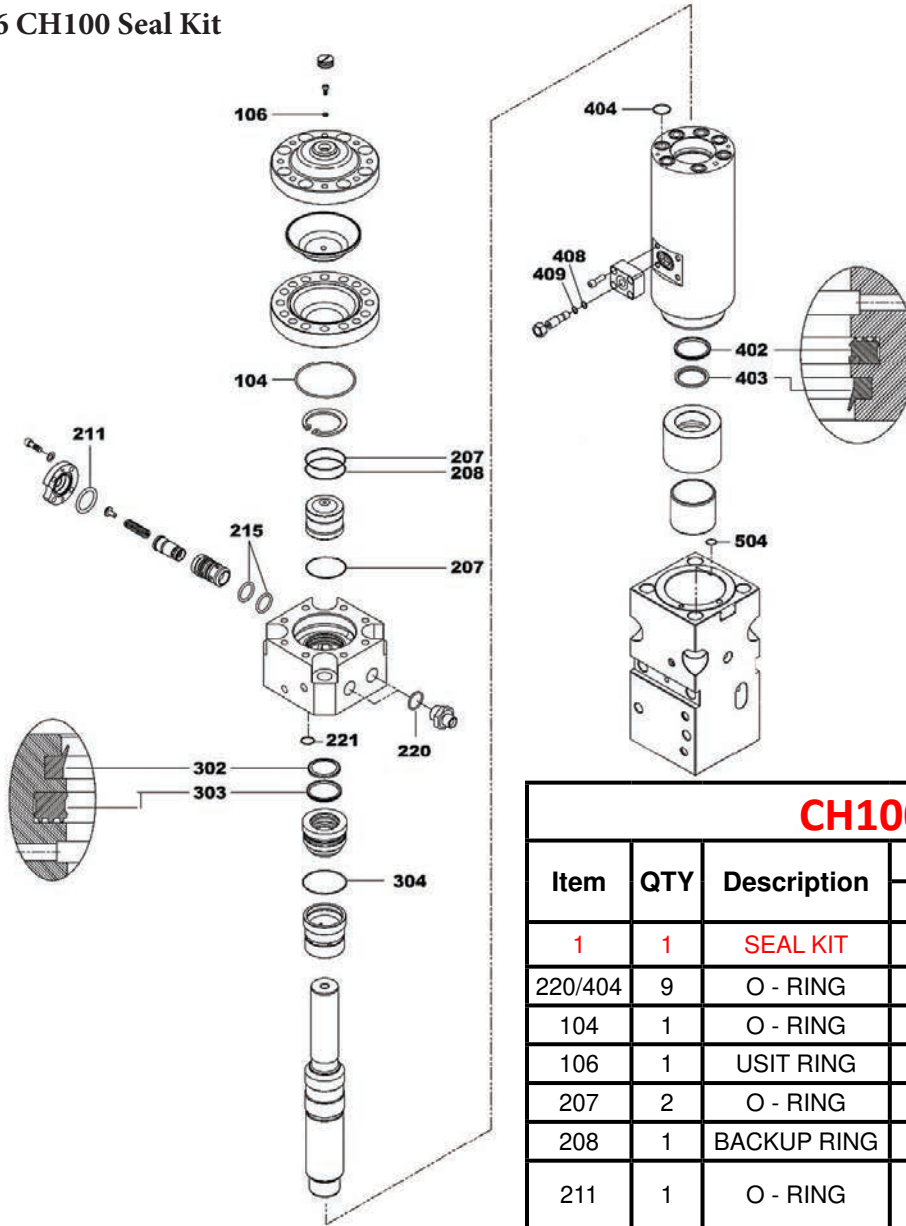


Fig.5.6 CH100 Seal Kit

CH100 SEAL KIT				
Item	QTY	Description	Model CH100	
			Part Number	Assembly Location
1	1	SEAL KIT	CHB1307650	
220/404	9	O - RING	CHA2007110	ADAPTER, CYLINDER
104	1	O - RING	CHB1307060	ACC. BOTTOM
106	1	USIT RING	CHB4007020	ACC. COVER
207	2	O - RING	CHB1307070	V/V HOUSING
208	1	BACKUP RING	CHB1307080	V/V HOUSING
211	1	O - RING	CHB4007190	V/V HOUSING OP VALVE COVER
215	1	O - RING	CHB1507200	V/V HOUSING OPERATOR VALVE
221	1	O - RING	CHA0607130	V/V HOUSING
302	1	SEAL	CHB1307090	SEAL HOUSING
303	1	WIPER	CHB1307100	SEAL HOUSING
304	1	O - RING	CHB1307070	SEAL HOUSING
402	1	SEAL	CHB1507160	CYLINDER
403	1	WIPER	CHB1507170	CYLINDER
408	1	O - RING	CHB1807310	CYLINDER
409	1	BACKUP RING	CHA3007160	CYLINDER
504	1	O - RING	CHA0607130	FRONT HEAD

6.0 Rebuild Kits

6.1 CH65/CH65H/CH65P Rebuild Kits

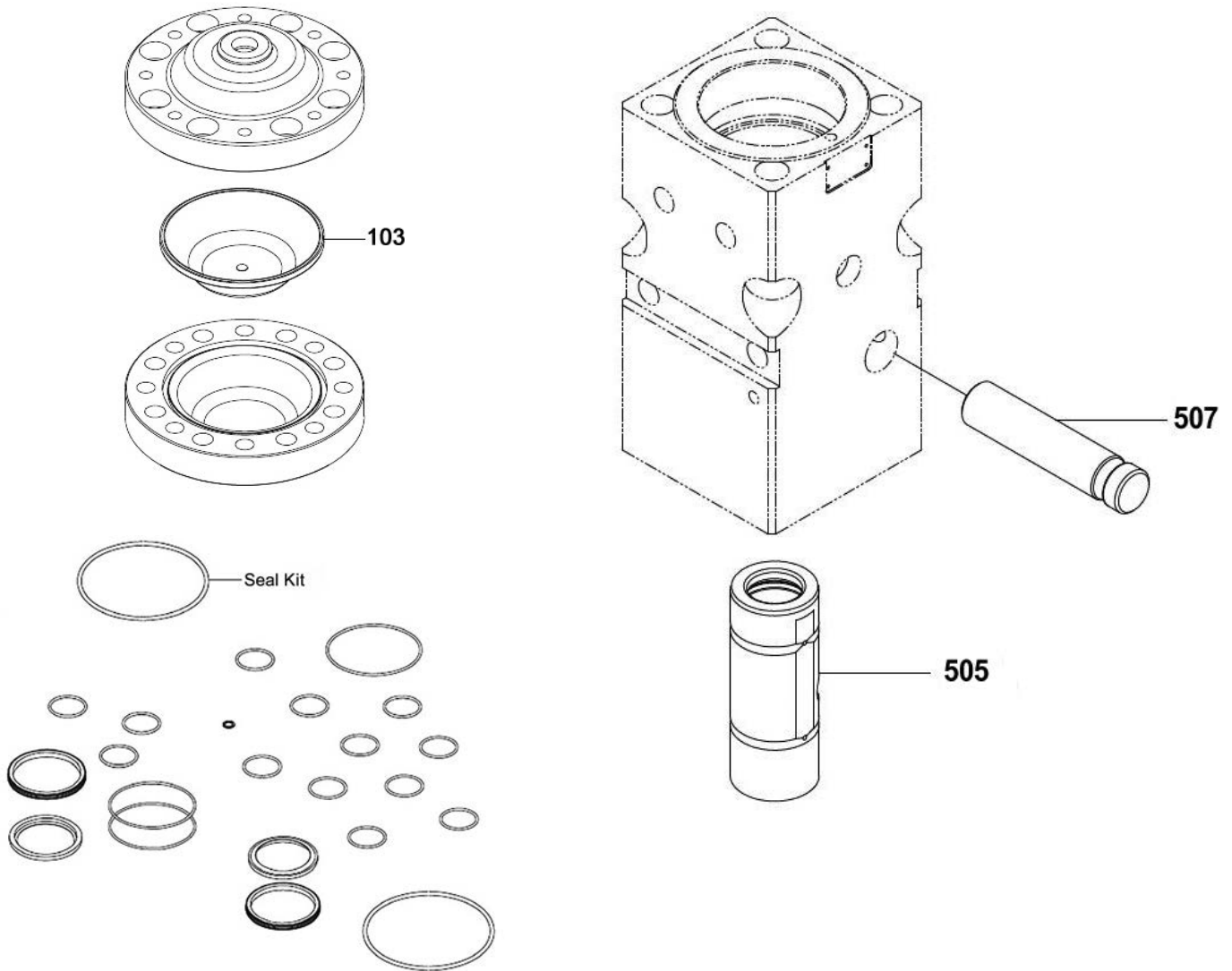


Fig.6.1 CH65/CH65H/CH65P Rebuild Kits

CH65/CH65H/CH65P REBUILD KIT			
Item	QTY	Description	Model CH65/CH65H/CH65P
505	1	TOOL BUSHING	CHB0406120
507	1	TOOL PIN	CHB0406510
103	1	MEMBRANE	CHB040704A
	1	SEAL KIT	CHB0407650HX

6.0 Rebuild Kits

6.2 CH70EX/CH70SS Rebuild Kits

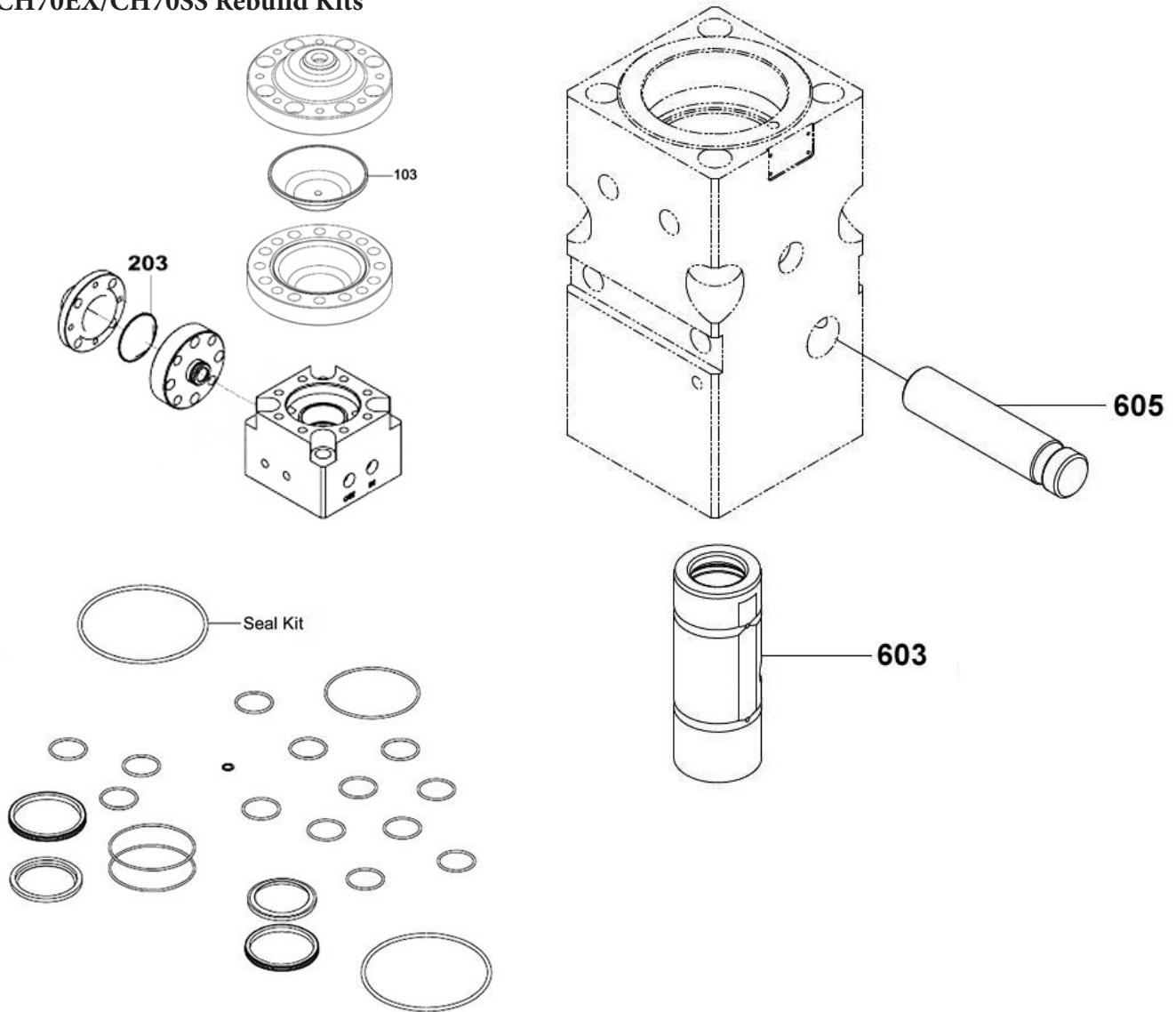


Fig.6.2 CH70EXCH70SS Rebuild Kits

CH70EX/CH70SS REBUILD KIT			
Item	QTY	Description	Model CH70EX/CH70SS
103	1	MEMBRANE (HIGH TOP)	CHB040704A
203	1	MEMBRANE (LOW SIDE)	CHB0506380
603	1	TOOL BUSHING	CHB0506070
605	1	TOOL PIN	CHB0506200
	1	SEAL KIT	CHB507600P

6.0 Rebuild Kits

6.3 CH75/CH75H/CH85/CH95/CH100 Rebuild Kits

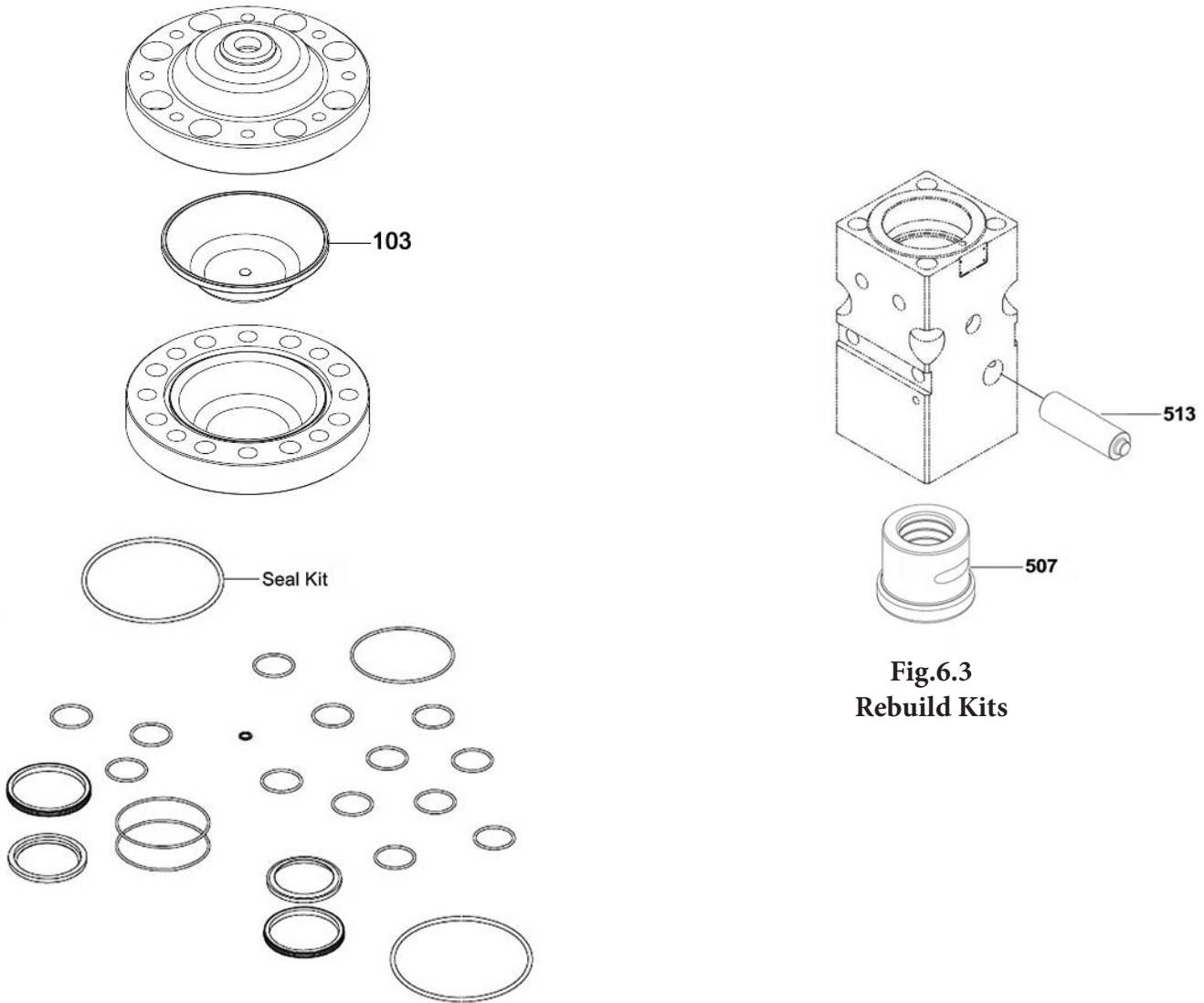


Fig.6.3
Rebuild Kits

CH75/CH75H/CH85/CH95/CH100 REBUILD KITS

Item	QTY	Description	Model CH75	Model CH85	Model CH95	Model CH100
			CH75H			
	1	Kit	CHTKB250EXO	CHTKB300EXO	CHTKB400EXO	CHBTKB460EXO
513	1	TOOL PIN	CHB0606200	CHB0806200	CHB1006200	CHB1506340
507	1	TOOL BUSHING	CHB0606120	CHB0806120	CHB1006120	CHB1306120
103	1	MEMBRANE	CHB080704A	CHB080704A	CHB100704A	CHB130704A
	1	SEAL KIT	CHB0607650HX	CHB0807650HX	CHB1007650HX	CHB1307650

7.0 Tool Bits

7.1 Tool Bits

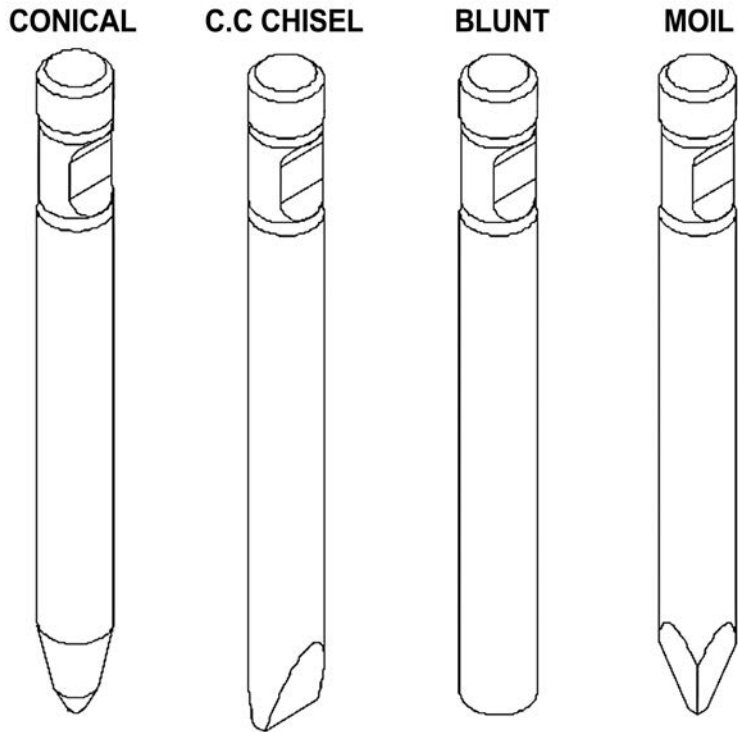


Fig.7.1 Tool Bits

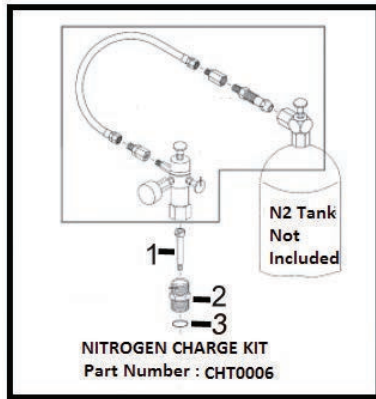
MODEL	PART NO.	MODEL	PART NO.	MODEL	PART NO.	MODEL	PART NO.	TOOL TYPE
CH65/ CH65H/ CH65P	CHB0406220	CH70EX/ CH70SS	CHB0506220	CH75	CHB0606220	CH85	CHB0806220	CONICAL
	CHB0406230		CHB0506230		CHB0606230		CHB0806230	CHISEL
	CHB0406240		CHB0506240		CHB0606240		CHB0806240	BLUNT
	CHB0406470		CHB0506210		CHB0606470		CHB0806470	MOIL

MODEL	PART NO.	MODEL	PART NO.	TOOL TYPE
CH95	CHB1006220	CH100	CHB1306220	CONICAL
	CHB1006230		CHB1306230	CHISEL
	CHB1006240		CHB1306240	BLUNT
	CHB1006470		CHB1306470	MOIL

Connect Work Tools Small Series Breaker Tool Bits

8.0 Tools Nitrogen (N²) Charge Kit

8.1 CH65/CH65H/CH65P/CH70EX/CH70SS/CH75/CH75H/CH85/CH95/CH100 Nitrogen (N²) Charge Kit



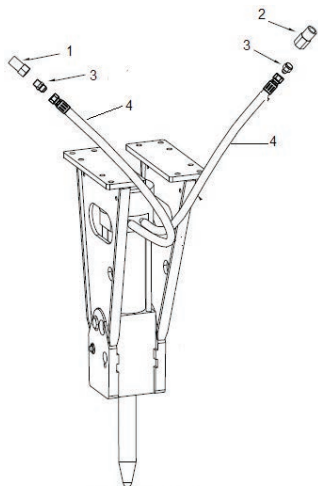
NO	PART NO.	PART NAME	QTY
	CHT0006	N2 Charge Kit	1
1	CHBM1C60052	CHARGE TOOL SOCKET HEAD BOLT	1
2	CH1G020026	CHARGE TOOL ADAPTER	1
3	CGA2507380	O-RING	1

Fig.8.1 CH65/CH65H/CH65P/CH70EX/CH70SS/CH75/CH75H/CH85/CH95/CH100 Nitrogen (N²) Charge Kit

Connect Work Tools Small Series Breaker Model CH65/CH65H/CH65P/CH70EX/CH70SS/CH75/CH75H/CH85/CH95/CH100 Nitrogen (N²) Charge Kit

9.0 Hoses

9.1 CH65/CH65H/CH65P/CH70EX/CH70SS/CH75/CH75H/CH85/CH95/CH100 Hoses



CH65/CH75 Side Plated

Fig.9.1.1
CH65/CH75 Hoses

CH65/CH65H/CH65P/CH70EX/CH70SS/CH75/ CH75H/CH85/CH95/CH100 Hose Parts						
Item	Description	Models CH65/CH65H/ CH65P	Models CH70EX/ CH70SS	Models CH75/CH75H/ CH85	Models CH95/CH100	
1	FF Male Coupler	CCE00017		CHE00193	CHE00196	
2	FF Female QC	CCE00016		CHE00192	CHE00197	
3	Adapter	40-02198	40-02301	40-02076	40-02288	

CH65/CH65H/CH65P/CH70EX/CH70SS/CH75/ CH75H/CH85/CH95/CH100 Hoses						
Item	Model	Part Number	Length	Diameter/psi	Fitting 1	Fitting 2
4	CH65/CH65H/ CH65P	40-02234	72"	.50/3000	10FJSW	8FJSW
4	CH70EX	40-02169	72"	.75/3000	12FJSW	12FJSW
4	CH70SS	40-02236	121"	.75/3000	12FJSW	12FJSW
4	CH75/CH75H/ CH85/ CH95/CH100	40-02170	84"	.75/3000	12FJSW	12FJSW

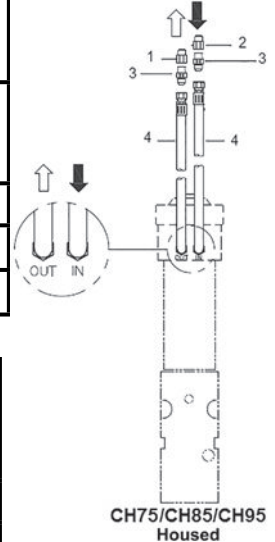


Fig.9.1.2
CH75/CH85/
CH95/CH100 Hoses

Connect Work Tools Small Series Breaker CH65/CH65H/CH65P/CH70EX/CH70SS/CH75/CH75H/CH85/CH95/CH100 Hoses

10.0 Hydraulic Mounted Breaker Lubricator

10.1 CH85/CH95/CH100 Hydraulic Mounted Breaker Lubricator

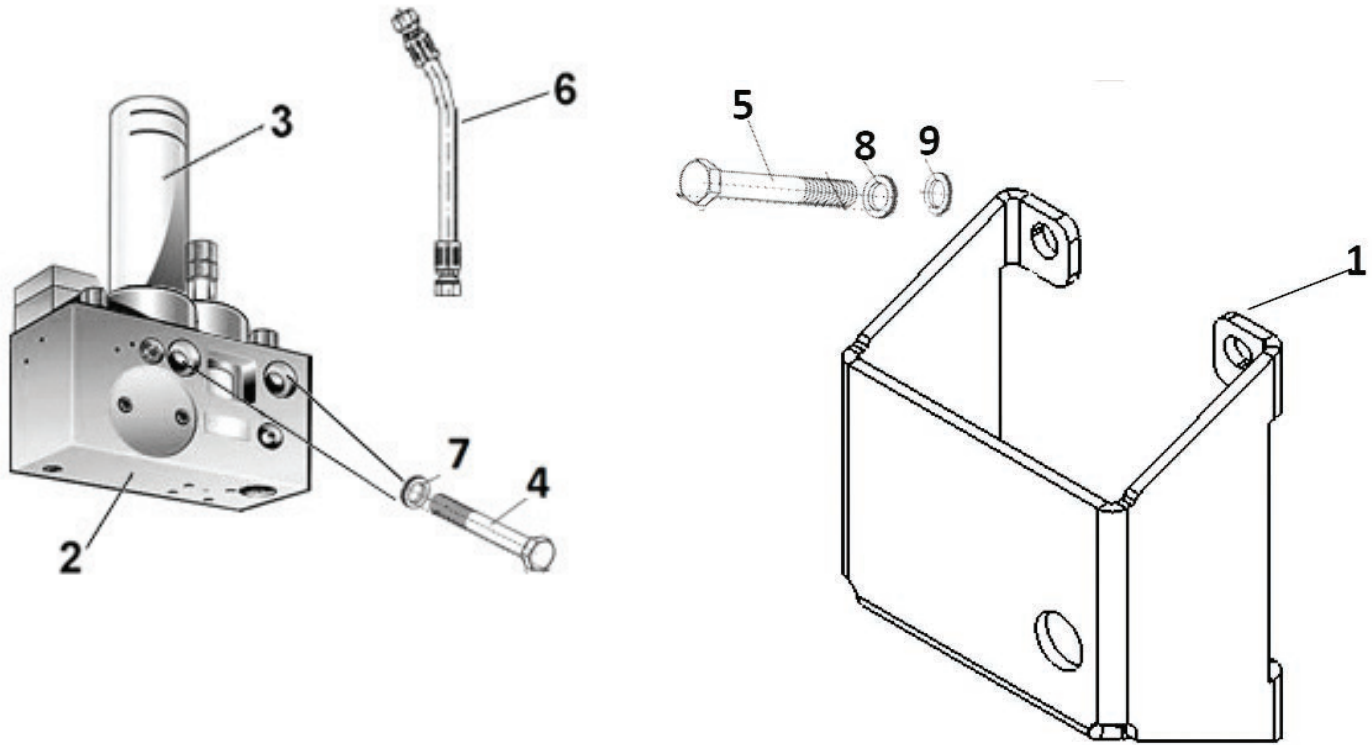


Fig.10.1 CH85/CH95/CH100 Hydraulic Mounted Breaker Lubricator

CH85/CH95/CH100 Hydraulic Mounted Lubricator					
Item	QTY	Description	Model CH85	Model CH95	Model CH100
				1	Kit
1	1	PUMP COVER	CHB6003220	CHB6003220	CHB6003220
2	1	PUMP ASSY	CHHAMAX2-100	CHHAMAX2-100	CHHAMAX2-100
3*	1	CARTRIDGE	CHE00933	CHE00933	CHE00933
4	2	HEX BOLT	CHHB1420110	CHHB1420110	CHHB1420110
5	4	HEX BOLT	CHHB1620035	CHHB1620035	CHHB1620035
6	3	HOSE (A/G PUMP)	CHB0808350	CHB0808350	CHB0808350
7	2	NORD LOCK WASHER	CHNDLW1600	CHNDLW1600	CHNDLW1600
8	4	PLAIN WASHER	CHPW160000	CHPW160000	CHPW160000
9	4	SPRING WASHER	CHSW160000	CHSW160000	CHSW160000

* Not sold separately - sold by the case

* Breakers must have current housing design/mounting plate

11.0 Carrier Mounted Breaker Lubricator

11.1 Carrier Mounted Breaker Lubricator

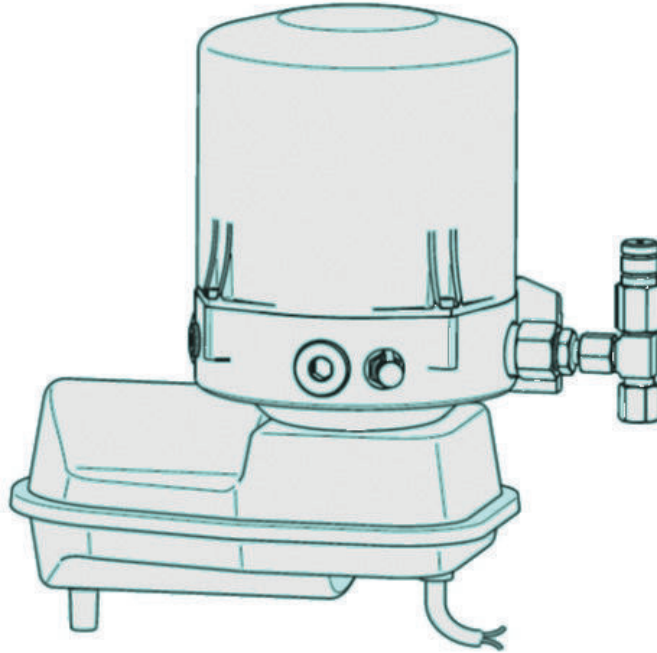


Fig. 11.1 Carrier Mounted Breaker Lubricator

CH65/CH65P/CH70EX/CH70SS/CH85/CH95/CH100 Carrier Mounted Lubricator		
Model	Carrier Mounted Lubricator Kit (CML)	Part Number
CH65/CH65P/CH70EX/ CH70SS	Single Pump	CHE00651
CH75	Single Pump	CHE00651
CH85	Single Pump	CHE00651
CH95	Single Pump	CHE00651
CH100	Single Pump	CHE00651

Kits include hoses, fittings, relay/circuit breaker, harness, signal light and couplers

12.0 Skid Loader Bracket

12.1 CH65/CH65H/CH70SS/CH75 Skid Loader Bracket

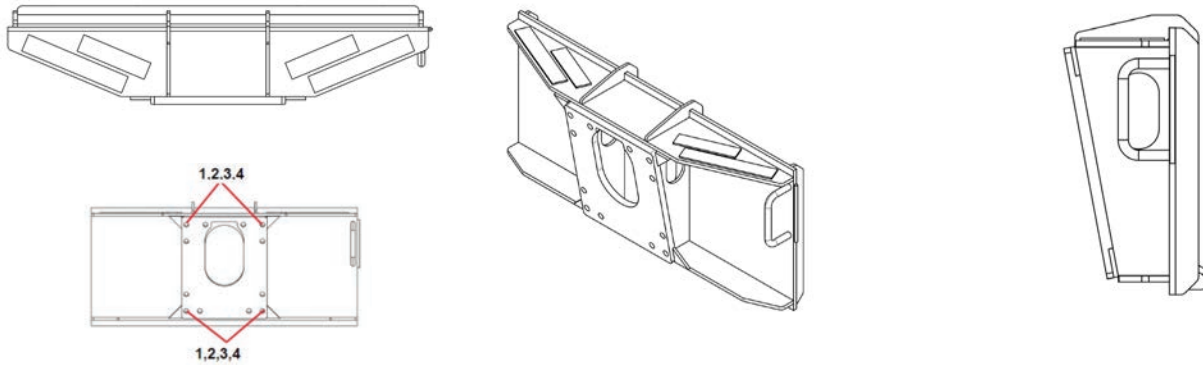


Fig.12.1 CH65/CH65H/CH70SS/CH75 Skid Loader Bracket

CH65/CH70SS/CH75 Skid Loader Bracket			
Item	QTY	Description	Part Number
			Model CH65/CH65H/CH70SS/CH75
1	1	BRACKET	CHB06HR300

Connect Work Tools Small Series Breaker CH65/CH65H/CH70SS/CH75 Brackets

CHB300BTPBK MOUNTING BOLT KIT (INCLUDES ITEMS 1,2,3 & 4) NOT INCLUDED WITH SKIDLOADER BRACKET			
Item	QTY	Description	Part Number
			Model CH65/CH65H/CH70SS/CH75
1	12	MOUNTING PLATE BOLT	CHHB1825080
2	24	PLAIN WASHER	CHPW180000
3	12	SPRING WASHER	CHSW180000
4	12	MOUNTING PLATE NUT	CHNN182500

13.0 Hose Guard Kits

13.1 CH70SS/CH75 Hose Guard Kits

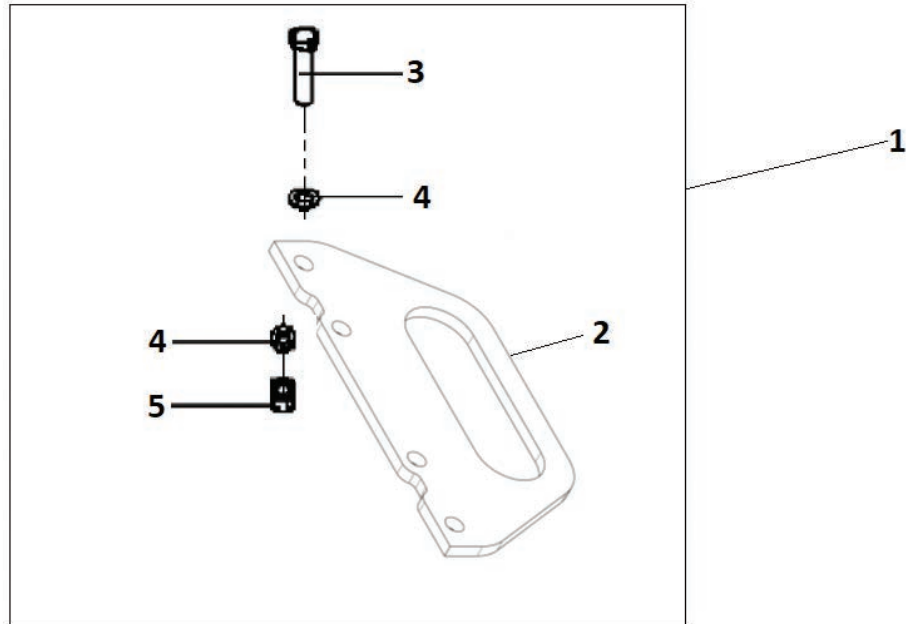


Fig.13.1 CH70SS/CH75 Hose Guard Kit

CH70SS/CH75 Hose Guard Kit			
Item	QTY	Description	Part Number
1	1	CH70SS/75 HOSE GUARD KIT	CHE00466
2	1	CH70SS/75 HOSE GUARD	CHE00465
3	4	HEX BOLT	50-00091
4	8	PLAIN WASHER	50-00040
5	4	NUT	CHNN162000

Connect Work Tools Small Series Breaker CH70SS/CH75 Hose Guard Kits

14.0 Flow Control Valve

14.1 CH65/CH70SS/CH75 Flow Control Valve

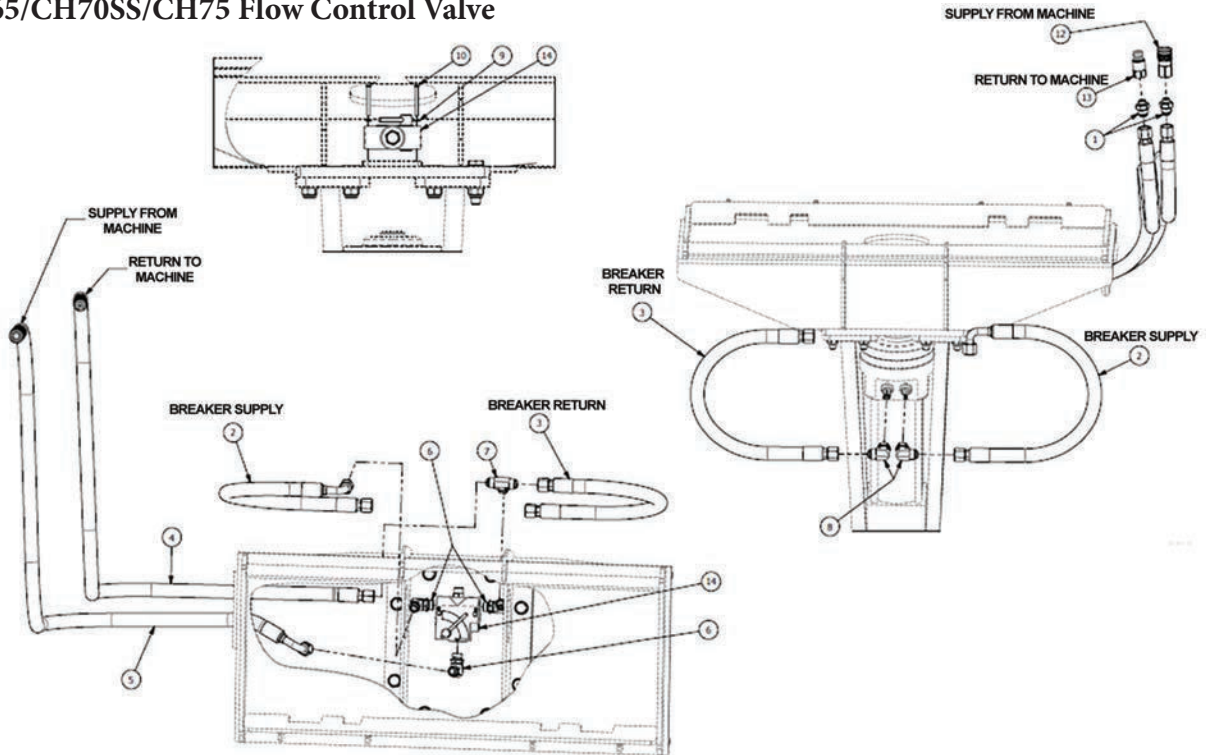


Fig.14.1 CH65/CH70SS/CH75 Flow Control Valve

CH65/CH70SS/CH75 Flow Control Valve

Item	QTY	Description	Part Number	Assembly Location
	1	CH65/CH70SS/CH75 FLOW CONTROL VALVE KIT	CHE01514	
1	2	FITTING	40-02301	SUPPLY/RETURN CARRIER
2	1	HOSE	40-02561	BREAKER SUPPLY LINE
3	1	HOSE	40-02562	BREAKER RETURN LINE
4	1	HOSE	40-02563	MAIN RETURN LINE TO CARRIER/ T FITTING
5	1	HOSE	40-02564	MAIN INLET TO CARRIER/VALVE
6	3	90° FITTING	40-02565	VALVE ASSEMBLY
7	1	T FITTING	40-02567	BREAKER RETURN LINES/VALVE
8	2	90° FITTING	40-02569	INLET /OUTLET TO BREAKER
9	2	WASHER	50-00187	VALVE ASSEMBLY
10	2	HEX HEAD CAP SCREW	7X-2535	VALVE ASSEMBLY
11	1	MOUNTING BOLT KIT SMALL SERIES	CHB300BTPBK	BREAKER BRACKET
12	1	QUICK COUPLER (FEMALE)	CCE00016	MAIN INLET SUPPLY TO CARRIER
13	1	QUICK COUPLER (MALE)	CCE00016	MAIN RETURN LINE TO CARRIER
14	1	VARIABLE FLOW CONTROL VALVE W/RELIEF	CHE01486	INSIDE SS BRACKET

CHE01514 Does not include mounting plate Var. Flow Control Valve or the Skidloader mounting bracket.

Order separate CHE0187 Mounting plate Var. Flow Control Valve.

Connect Work Tools Small Series Breaker CH65/CH70SS/CH75 Flow Control Valve

CONNECTTM
WORK TOOLS

920.238.6657

www.connectworktools.com

