



*(CH130 Model Pictured)*

# Medium Series Breakers

## Models

CH110

CH120

CH130

CH140

# Parts Manual

CH-Series

Part #CHE00164



Connect Work Tools - [www.connectworktools.com](http://www.connectworktools.com) - 920.238.6657



## Contact Information



**Connect Work Tools**  
**155 Main Street**  
**Superior, WI 54880**

**E-mail: [info@connectworktools.com](mailto:info@connectworktools.com)**  
**Main Phone: 920-238-6657**  
**Fax: 715-395-3703**

Contact your Connect Work Tools Representative or the Connect Work Tools Parts Department for replacement manuals. Inquiries regarding the content of this manual must include the release date shown below.

**Information in this manual is subject to change without advance notice.**

**Table 1.1 About this manual**

Document ID No.	CHE00164
Type	Parts
Release Date	October 2021
Product Name	Hydraulic Impact Breaker
Series	CH
Applicable Models	CH110/CH120/CH130/CH140
Years of Manufacture	2016 & above



# Table of Contents



## Section

Table of Contents .....	iii
<b>1.0 CH Equipment Identification</b>	
1.1 Location of Serial Number Decal .....	1
1.2 Owner's Record of Equipment .....	1
<b>2.0 CH Decals</b>	
2.1 Standard Decals .....	2
2.2 Typical Breaker Decal Placement .....	3
<b>3.0 CH Power Cells</b>	
3.1 CH110 Power Cell .....	6
3.2 CH120 Power Cell .....	12
3.3 CH130 Power Cell .....	18
3.4 CH140 Power Cell .....	24
<b>4.0 CH Housings</b>	
4.1 CH110 Housing .....	30
4.2 CH120 Housing .....	32
4.3 CH130 Housing .....	34
4.4 CH140 Housing .....	36
<b>5.0 CH Seal Kits</b>	
5.1 CH110 Seal Kit .....	38
5.2 CH120 Seal Kit .....	40
5.3 CH130/CH140 Seal Kits .....	42
<b>6.0 CH Rebuild Kits</b>	
6.1 CH110 Rebuild Kit .....	44
6.2 CH120/CH130/CH140 Rebuild Kits .....	45
<b>7.0 CH Tool Bits</b>	
7.1 Tool Bits .....	46
<b>8.0 CH Tool N2 Charge Kit</b>	
8.1 Tool N2 Charge Kit .....	46
<b>9.0 CH Hoses</b>	
9.1 CH110/CH120/CH130/CH140 Hoses .....	47
<b>10.0 CH Mounted Breaker Lubricator</b>	
10.1 Mounted Breaker Lubricator .....	48
10.2 Mounted Breaker Lubricator Down Parts .....	48
<b>11.0 CH Hydraulic Mounted Breaker Lubricator</b>	
11.1 Hydraulic Mounted Breaker Lubricator .....	49
<b>12.0 CH Carrier Mounted Breaker Lubricator</b>	
12.1 Carrier Mounted Breaker Lubricator .....	50
<b>13.0 CH Quarry Wear Guard Kits</b>	
13.1 Quarry Wear Guard Kits .....	51

## Figures

<b>1.0 CH Equipment Identification</b>	
1.1 Equipment Identification Decal .....	1
<b>2.0 CH Decals</b>	
2.1 Standard Decals .....	2
2.2-1 Decal Placement .....	3
2.2-2 Decal Placement .....	3
2.2-3 Decal Placement .....	3
2.2-4 Decal Placement .....	3
<b>3.0 CH Breakers</b>	
3.1 CH110 Breaker .....	6
3.2 CH120 Breaker .....	12
3.3 CH130 Breaker .....	18
3.4 CH140 Breaker .....	24
<b>4.0 CH Housings</b>	
4.1 CH110 Housing .....	30
4.2 CH120 Housing .....	32
4.3 CH130 Housing .....	34
4.4 CH140 Housing .....	36
<b>5.0 CH Seal Kits</b>	
5.1 CH110 Seal Kit .....	38
5.2 CH120 Seal Kit .....	40
5.3 CH130/CH140 Seal Kits .....	42
<b>6.0 CH Rebuild Kits</b>	
6.1 CH110 Rebuild Kit .....	44
6.2 CH120/CH130/CH140 Rebuild Kits .....	45
<b>7.0 CH Tool Bits</b>	
7.1 Tool Bits .....	46
<b>8.0 CH Tool N2 Charge Kit</b>	
8.1 Tool N2 Charge Kit .....	46
<b>9.0 CH Hoses</b>	
9.1 CH110/CH120/CH130/CH140 Hoses .....	47
<b>10.0 CH Mounted Breaker Lubricator</b>	
10.1 Mounted Breaker Lubricator .....	48
10.2 Mounted Breaker Lubricator Down Parts .....	48
<b>11.0 CH Hydraulic Mounted Breaker Lubricator</b>	
11.1 Hydraulic Mounted Breaker Lubricator .....	49
<b>12.0 CH Carrier Mounted Breaker Lubricator</b>	
12.1 Carrier Mounted Breaker Lubricator .....	50
<b>13.0 CH Quarry Wear Guard Kits</b>	
13.1 Quarry Wear Guard Kits .....	51

Contact your Connect Work Tools Representative or the Connect Work Tools Parts Department for replacement manuals. Inquiries regarding the content of this manual must include the release date shown below.

**Information in this manual is subject to change without advance notice.**



# 1.0 Equipment Identification

## 1.1 Location of the Serial Number Decal

Models: CH110/CH120/CH130/CH140

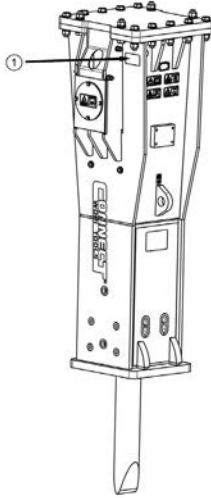
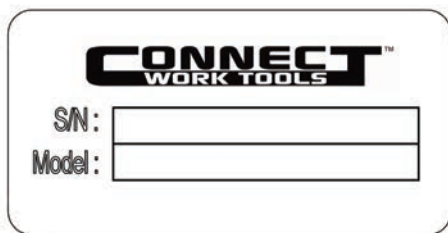


Fig. 1.1 Equipment Identification

The Serial Equipment Identification Decal is affixed to the side of the housing box. It provides the following information:

- Serial Number
- Model
- Part Number
- Weight
- Operating Pressure
- Oil Flow
- Carrier Relief Pressure
- Nitrogen

**\*\*Note: Prior to ordering parts, it's important to confirm your model and serial number**



## 1.2 Owner's Record of the Equipment

Record the Model and Serial Number from the Serial Equipment Identification Tag to the space provided below. Indicate the date in which the Connect Work Tools equipment was placed into service.

Model CH110: CH110

Model CH120: CH120

Model CH130: CH130

Model CH140: CH140

Serial Number: \_\_\_\_\_

In Service Date: \_\_\_\_\_

Your Connect Work Tools representative requires this information to better assist you with questions regarding parts, warranty, operation, maintenance, or repair.

Your equipment must be registered by your local Distributor at the time of sale.

Product Registration Date: \_\_\_\_\_

## 2.0 Decals

All decals pictured are included in decal kits (with exception of No. 10)

### 2.1 Standard Decals



1. Part Number 16-00076 - Decal Warning Dust



2. Part Number 16-00077 - Decal Warning Flying Objects



3. Part Number 16-00078 - Decal Warning Read Manual



4. Part Number 16-00079 - Decal Warning Noise



5. Part Number 16-00080 - Decal Grease Point



6. Part Number 16-00086 - Decal Warning Safe Distance



Example Shown: CH110

7. Part Number CHE00108 - Decal CH110  
 Part Number CHE00151 - Decal CH120  
 Part Number CHE00159 - Decal CH130  
 Part Number CHE00150 - Decal CH140



8. Part Number CHE00109 - Decal Connect Logo 18" - CH110/CH120  
 Part Number CHE00385 - Decal Connect Logo 24" - CH130/CH140



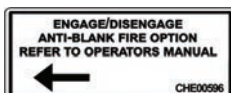
9. Part Number CHE00127 - Decal SN Plate (Not included in Decal Kit)



10. Part Number 16-00082 - Decal Lift Point



11. Part Number CHE00111 - Decal Warning Nitrogen



12. Part Number CHE00596 - Decal Warning Anti-Blank Fire

Fig. 2.1 Standard Decals



## 2.0 Decals

### 2.2 Typical Breaker Decal Placement

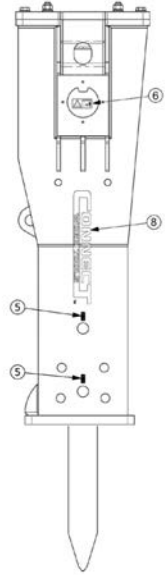


Fig. 2.2-1 Decal Placement

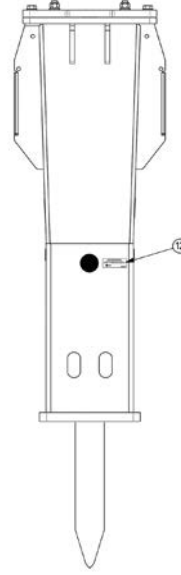


Fig. 2.2-2 Decal Placement

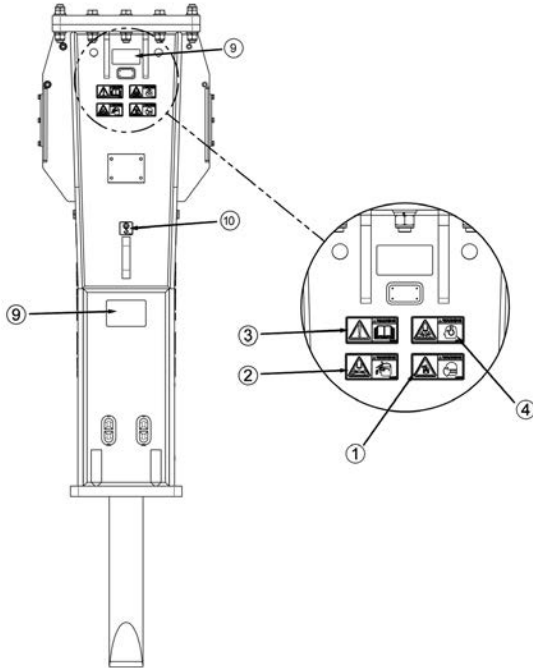


Fig. 2.2-3 Decal Placement

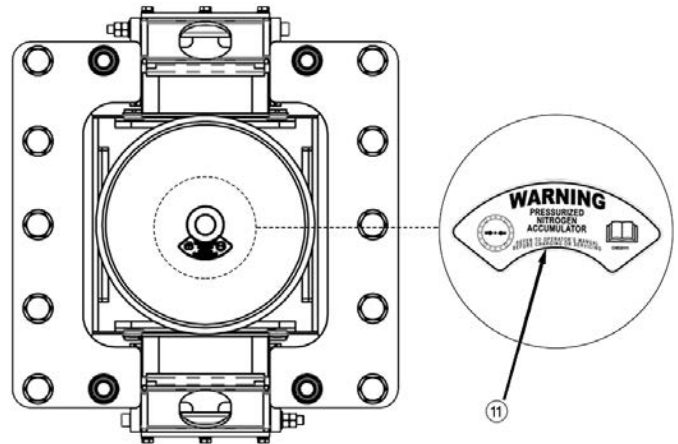


Fig. 2.2-4 Decal Placement

*All decals pictured are included in decal kits*

PART NO.	PART NAME	QTY
CHE00160	Decal Kit CH110	1
CHE00152	Decal Kit CH120	1
CHE00130	Decal Kit CH130	1
CHE00149	Decal Kit CH140	1





# Medium Series Breakers

## Models

CH110

CH120

CH130

CH140

**Power Cells**

# 3.0 CH Power Cells - CH110

## 3.1 CH110 Power Cell

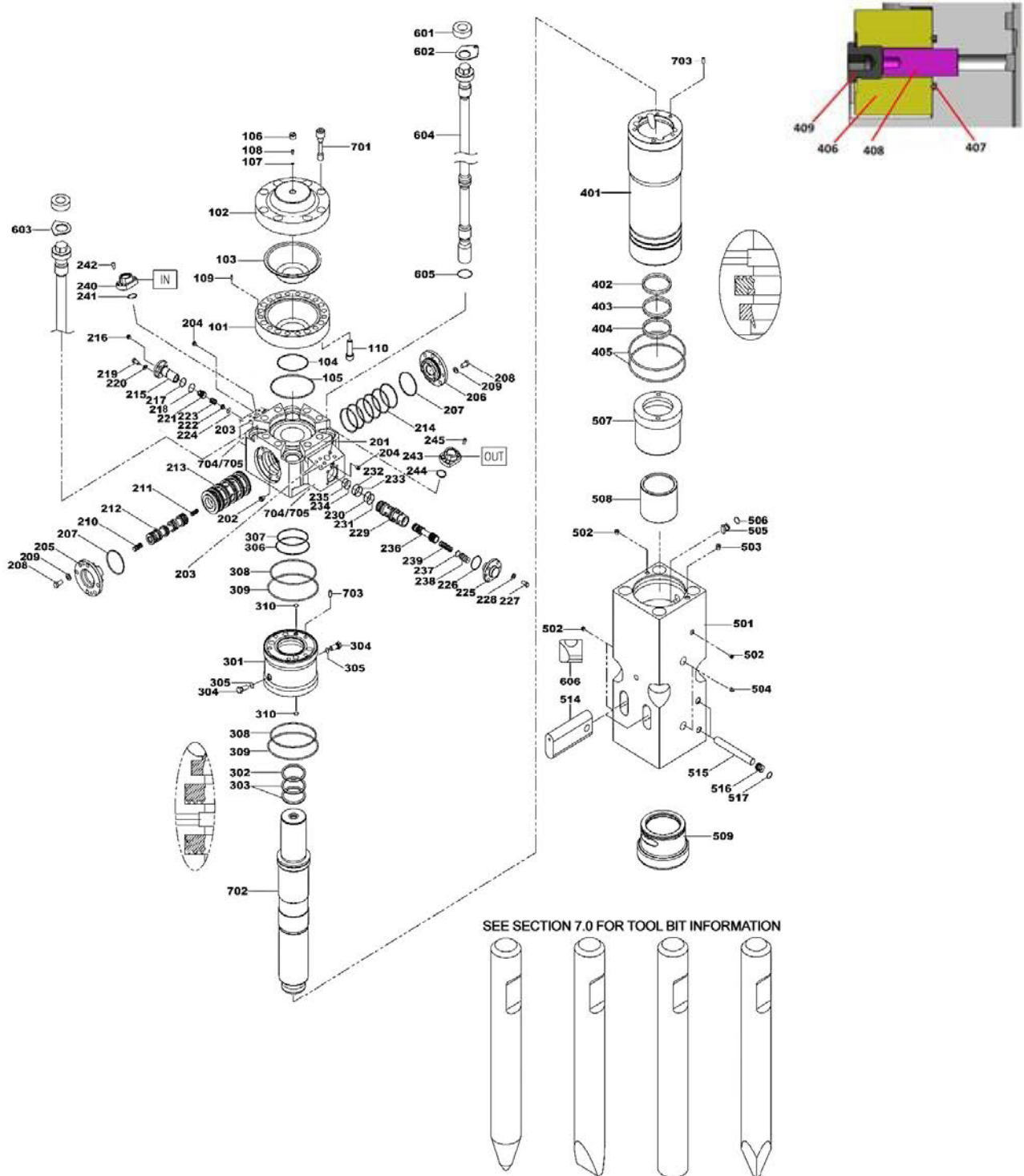


Fig. 3.1 CH110 Breaker

Connect Work Tools Medium Series Breaker Model CH110

## 3.0 CH Power Cells - CH110

### 3.1 CH110 Power Cell Parts List

NO	PART NO.	PART NAME	QTY	ALTERNATE P/N
	CH110	CH110	1	
101	CHB160603A	ACCUMULATOR BOTTOM	1	CHB1606030/571771
102	CHB1506020	ACCUMULATOR COVER	1	571770
103	CHB150704A	MEMBRANE	1	571803
104	CHB1507270	O-RING	1	575737
105	CHB1507280	BACK-UP RING	1	571818
106	CHB4007010	ACC. CAP	1	102262
107	CHB4007020	USIT-RING	1	676201
108	CHB4006420	ACC. GAS BOLT	1	676161
109	CHB4006370	ACC. GUIDE PIN	1	676183
110	CHSB2015060	ACC. BOTTOM BOLT	12	571796
201	CHB1506700	VALVE HOUSING	1	571769/CHB1506700
202	CHB4006530	SOCKET PLUG	1	676158
203	CHB4006910	SOCKET PLUG	3	573577
204	CHB4006450	SOCKET PLUG	2	676159
205	CHB1506150	SLEEVE COVER 1	1	571783
206	CHB1506240	SLEEVE COVER 2	1	571787
207	CHB1507120	O-RING	2	101338
208	CHHB1420030	HEX BOLT	12	571797
209	CHCW140000	LOCK WASHER	12	571798
210	CHB2506160	SPOOL 1	1	101863
211	CHB1506160	SPOOL 2	1	571784
212	CHB1506170	MAIN SPOOL	1	571785
213	CHB1506180	SLEEVE	1	571786
214	CHB1507070	O-RING	6	571804
215	CHB1506210	CHECK VALVE HOUSING	1	102108
216	CHB4006450	SOCKET PLUG	1	676159
217	CHB2507290	O-RING	1	676206
218	CHB2507300	O-RING	1	676245
219	CHHB1217530	HEX BOLT	4	900023
220	CHCW120000	LOCK WASHER	4	571054

## 3.0 CH Power Cells - CH110

### 3.1 CH110 Power Cell Parts List

NO	PART NO.	PART NAME	QTY	ALTERNATE P/N
221	CHB2506220	CHECK VALVE SPOOL	1	102109
222	CHB2506230	CHECK VALVE SPRING GUIDE	1	102204
223	CHB2506480	CHECK VALVE SPRING	1	102212
224	CHB2506490	LOCK RING	1	102217
225	CHB1506300	OPER. VALVE COVER	1	571792
226	CHB2507200	O-RING	1	676203
227	CHHB1211730	HEX BOLT	4	900023
228	CHCW120000	LOCK WASHER	4	571054
229	CHB1506260	OPER. VALVE GUIDE	1	571788
230	CHB2507190	O-RING	1	101781
231	CHB2507350	BACK-UP RING	1	571873
232	CHB1507200	O-RING	1	571815
233	CHB1507360	BACK-UP RING	1	571816
234	CHB2507290	O-RING	1	676206
235	CHB1507350	BACK-UP RING	1	571814
236	CHB1506270	OPER. VALVE SPOOL	1	571789
237	CHB1506280	OPER. VALVE SPRING GUIDE	1	571790
238	CHB1506440	OPER. VALVE SHIM PLATE	2	571791
239	CHB1606880	OPER. VALVE SPRING	1	573625
240	CHB1506660	FLANGE	1	572838
241	CHB1507050	O-RING	1	814788
242	CHSB1015040	SOCKET BOLT	4	719733
243	CHB3006670	FLANGE	1	572705
244	CHB4007050	O-RING	1	677977
245	CHSB1217040	SOCKET BOLT	4	90564
301	CHB1506710	SEAL HOUSING	1	571772
302	CHB1507140	WIPER	1	571810
303	CHB1507150	SEAL	2	571811
304	CHB2006870	AIR VENT PLUG	2	B2006870

## 3.0 CH Power Cells - CH110

### 3.1 CH110 Power Cell Parts List

NO	PART NO.	PART NAME	QTY	ALTERNATE P/N
305	CHB0407150	O-RING	2	676209
306	CHB1507080	O-RING	1	679036
307	CHB1507090	BACK-UP RING	1	571805
308	CHB1507100	O-RING	2	571806
309	CHB1507110	BACK UP RING	2	571807
310	CHB1807310	O-RING	2	571820
401	CHB1606750	CYLINDER (ASO)	1	CHB1606720
402	CHB1607370	STEP SEAL	1	B1607370
403	CHB1607380	U- PACKING	1	B1607380
404	CHB1607390	WIPER	1	B1607390
405	CHB1507130	O-RING	2	571809
406	CHB2806350	STOP VALVE	1	
407	CHA3206550	O-RING	1	
408	CHA2036210	ASO PIN	1	
409	CHA1206780	HEX PLUG	1	
501	CHB1606740	FRONT HEAD	1	B1606740
502	CHB4006450	SOCKET PLUG	4	676159
503	CHB4006910	SOCKET PLUG	1	573577
504	CHB4006560	GREASE NIPPLE	2	816675
505	CHB4006330	WEDGE	1	A102558
506	CHB4007260	O-RING	1	676200
507	CHB1506730	THRUST RING	1	571775
508	CHB1506080	UPPER BUSHING	1	571776
509	CHB1506840	TOOL BUSHING	1	571795
514	CHB1506340	TOOL PIN	2	571793
515	CHB1506350	BUSHING PIN	2	571794
516	CHB1806580	RUBBER PLUG	2	571800
517	CHB1806570	SNAP RING	2	571801

## 3.0 CH Power Cells - CH110

### 3.1 CH110 Power Cell Parts List

NO	PART NO.	PART NAME	QTY	ALTERNATE P/N
601	CHB1507030	RUBBER RING	4	571802
602	CHB1506110	LOCK WASHER	3	571779
603	CHB1506120	LOCK WASHER	1	571780
604	CHB1506130	SIDE ROD	4	571781
605	CHB1507250	O-RING	4	676200
606	CHB1506140	SIDE ROD NUT	4	571782
701	CHB1506100	ACC. COVER BOLT	8	571778
702	CHB1606050	PISTON	1	B1606050
703	CHB4006370	GUIDE PIN	2	676183
704	CHS030060	SOCKET PLUG	2	
705	CHDW100000	WASHER	4	

**\*\*Note: For CH110 Tool Bit information, see 46\*\***





## 3.0 CH Power Cells - CH120

### 3.2 CH120 Power Cell

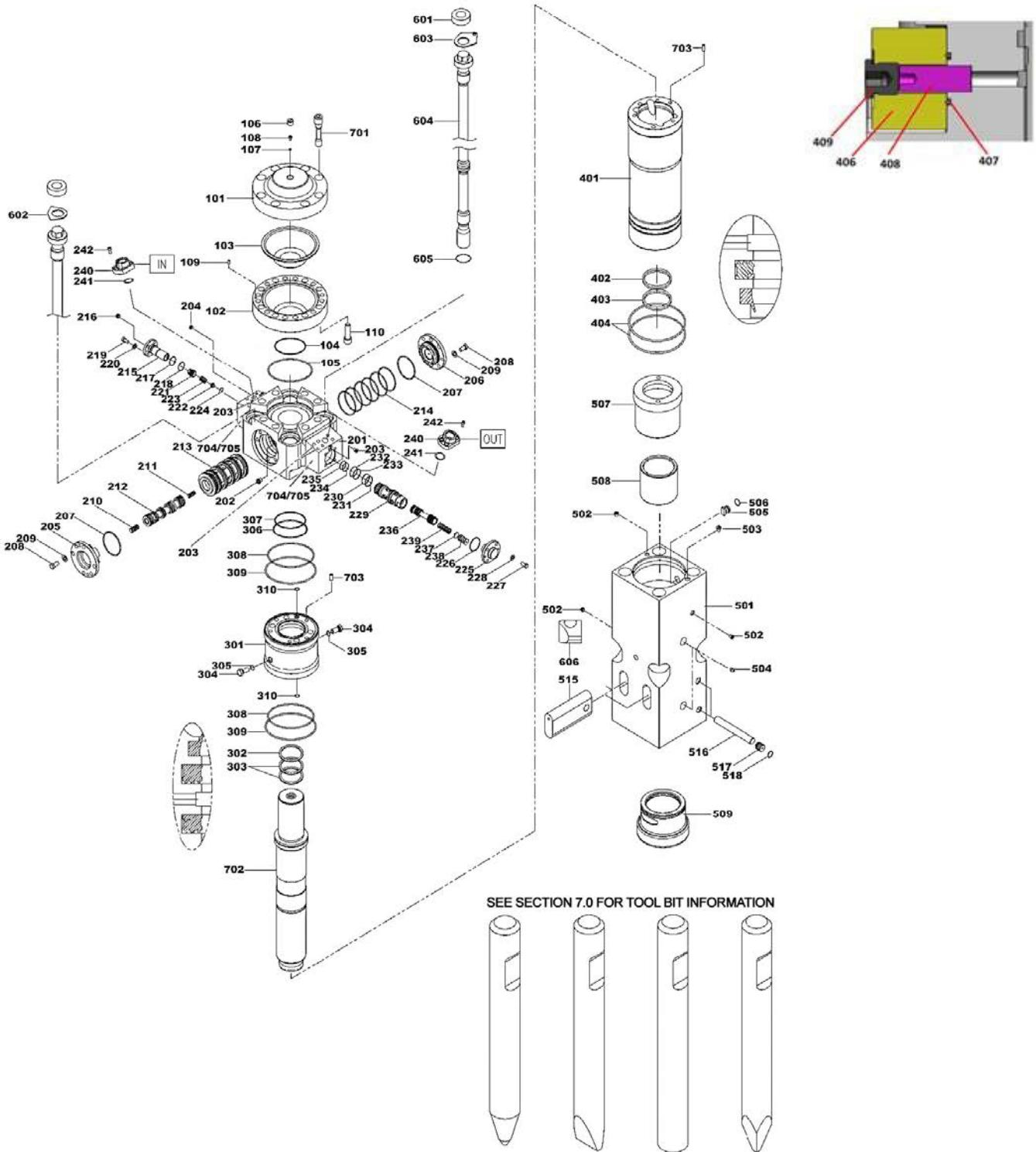


Fig. 3.2 CH120 Breaker

## 3.0 CH Power Cells - CH120

### 3.2 CH120 Power Cell Parts List

NO	PART NO.	PART NAME	QTY	ALTERNATE P/N
	<b>CH120</b>	<b>CH120</b>	1	
101	CHB1806020	ACC. COVER	1	572477
102	CHB180603A	ACC. BOTTOM	1	CHB1806030/572478
103	CHB200704A	MEMBRANE	1	101784
104	CHB2507270	O-RING	1	101839
105	CHB2507280	BACK-UP RING	1	101840
106	CHB4007010	ACC. CAP	1	102262
107	CHB4007020	USIT RING	1	676201
108	CHB4006420	ACC. GAS BOLT	1	676161
109	CHB4006370	ACC. GUIDE PIN	1	676183
110	CHSB2215065	ACC. BOTTOM BOLT	12	102426
201	CHB1806760	VALVE HOUSING	1	572476/CHB1806700
202	CHB2506520	SOCKET PLUG	1	676216
203	CHB4006910	SOCKET PLUG	3	102241
204	CHB4006450	SOCKET PLUG	1	676159
205	CHB1806150	SLEEVE COVER 1.	1	572483
206	CHB1806240	SLEEVE COVER 2.	1	572484
207	CHB2507120	O-RING	2	676202
208	CHHB1420030	HEX. BOLT	8	571797
209	CHCW140000	LOCK WASHER	8	571054
210	CHB2506250	SPOOL 1.	1	101862
211	CHB2506160	SPOOL 2.	1	101863
212	CHB2506170	MAIN SPOOL	1	102012
213	CHB2506180	SLEEVE	1	102069
214	CHB2507070	O-RING	6	A102329
215	CHB2506210	CHECK VALVE HOUSING	1	102108
216	CHB4006450	SOCKET PLUG	1	676159
217	CHB2507290	O-RING	1	676206
218	CHB2507300	O-RING	1	676245
219	CHHB1217030	HEX. BOLT	4	900023
220	CHCW120000	LOCK WASHER	4	571054

## 3.0 CH Power Cells - CH120

### 3.2 CH120 Power Cell Parts List

NO	PART NO.	PART NAME	QTY	ALTERNATE P/N
221	CHB2506220	CHECK VALVE SPOOL	1	102109
222	CHB2506230	CHECK VALVE SPRING GUIDE	1	102204
223	CHB2506480	CHECK VALVE SPRING	1	102212
224	CHB2506490	LOCK RING	1	102217
225	CHB2506300	OPER. VALVE COVER	1	101855
226	CHB4007200	O-RING	1	676203
227	CHHB1217030	HEX. BOLT	4	900023
228	CHCW120000	LOCK WASHER	4	571054
229	CHB1806260	OPER. VALVE GUIDE	1	572485
230	CHB4007190	O-RING	1	100109
231	CHB6007350	BACK-UP RING	1	101788
232	CHB2507200	O-RING	1	676251
233	CHB2507360	BACK-UP RING	1	101789
234	CHB2507190	O-RING	1	101781
235	CHB2507350	BACK-UP RING	1	101790
236	CHB1806270	OPER. VALVE SPOOL	1	572486
237	CHB2506280	OPER. VALVE SPRING GUIDE	1	A101846
238	CHB2506440	OPER. VALVE SHIM PLATE	2	101854
239	CHB2506870	OPER. VALVE SPRING	1	101856
240	CHB3006670	FLANGE	2	572705
241	CHB4007050	O-RING	2	677977
242	CHSB1217040	SOCKET BOLT	8	90564
301	CHB1806710	SEAL HOUSING	1	572491
302	CHB1807140	WIPER	1	572506
303	CHB1807150	SEAL	2	572507
304	CHB2006870	AIR VENT PLUG	2	B2006870
305	CHB0407150	O-RING	2	572511
306	CHB1807080	O-RING	1	572501

## 3.0 CH Power Cells - CH120

### 3.2 CH120 Power Cell Parts List

NO	PART NO.	PART NAME	QTY	ALTERNATE P/N
307	CHB1807090	BACK-UP RING	1	572502
308	CHB1807100	O-RING	2	572503
309	CHB1807110	BACK UP RING	2	572504
310	CHB1807310	O-RING	2	572510
401	CHB1806750	CYLINDER (ASO)	1	572490/CHB1806720
402	CHB1807160	SEAL	1	572508
403	CHB1807170	WIPER	1	572509
404	CHB1807130	O-RING	2	572505
406	CHB2806350	STOP VALVE	1	
407	CHA3206550	O-RING	1	
408	CHA2036210	ASO PIN	1	
409	CHA1206780	HEX PLUG	1	
501	CHB1806810	FRONT HEAD	1	572494
502	CHB4006450	SOCKET PLUG	4	676159
503	CHB4006910	SOCKET PLUG	1	102241
504	CHB4006560	GREASE NIPPLE	2	816675
505	CHB4006330	WEDGE	1	A102558
506	CHB4007260	O-RING	1	676200
507	CHB1806730	THRUST RING	1	572492
508	CHB1806080	UPPER BUSHING	1	572493
509	CHB1806840	TOOL BUSHING	1	572498
515	CHB1806340	TOOL PIN	2	572496
516	CHB1806350	BUSHING PIN	2	572497
517	CHB1806580	RUBBER PLUG	2	571800
518	CHB1806570	SNAP RING	2	571801

## 3.0 CH Power Cells - CH120

### 3.2 CH120 Power Cell Parts List

NO	PART NO.	PART NAME	QTY	ALTERNATE P/N
601	CHB1807030	RUBBER RING	4	572487
602	CHB1806110	LOCK WASHER	3	572480
603	CHB1806120	LOCK WASHER	1	572481
604	CHB1806130	SIDE ROD	4	572482
605	CHB1807250	O-RING	4	572529
606	CHB1806140	SIDE ROD NUT	4	572495
701	CHB1806100	ACC. COVER BOLT	8	572479
702	CHB1806050	PISTON	1	572489
703	CHB4006310	GUIDE PIN	2	101545
704	CHS030060	SOCKET PLUG	2	
704	CHDW100000	WASHER	4	

**\*\*Note: For CH120 Tool Bit information, see 46\*\***



# 3.0 CH Power Cells - CH130

## 3.3 CH130 Power Cell

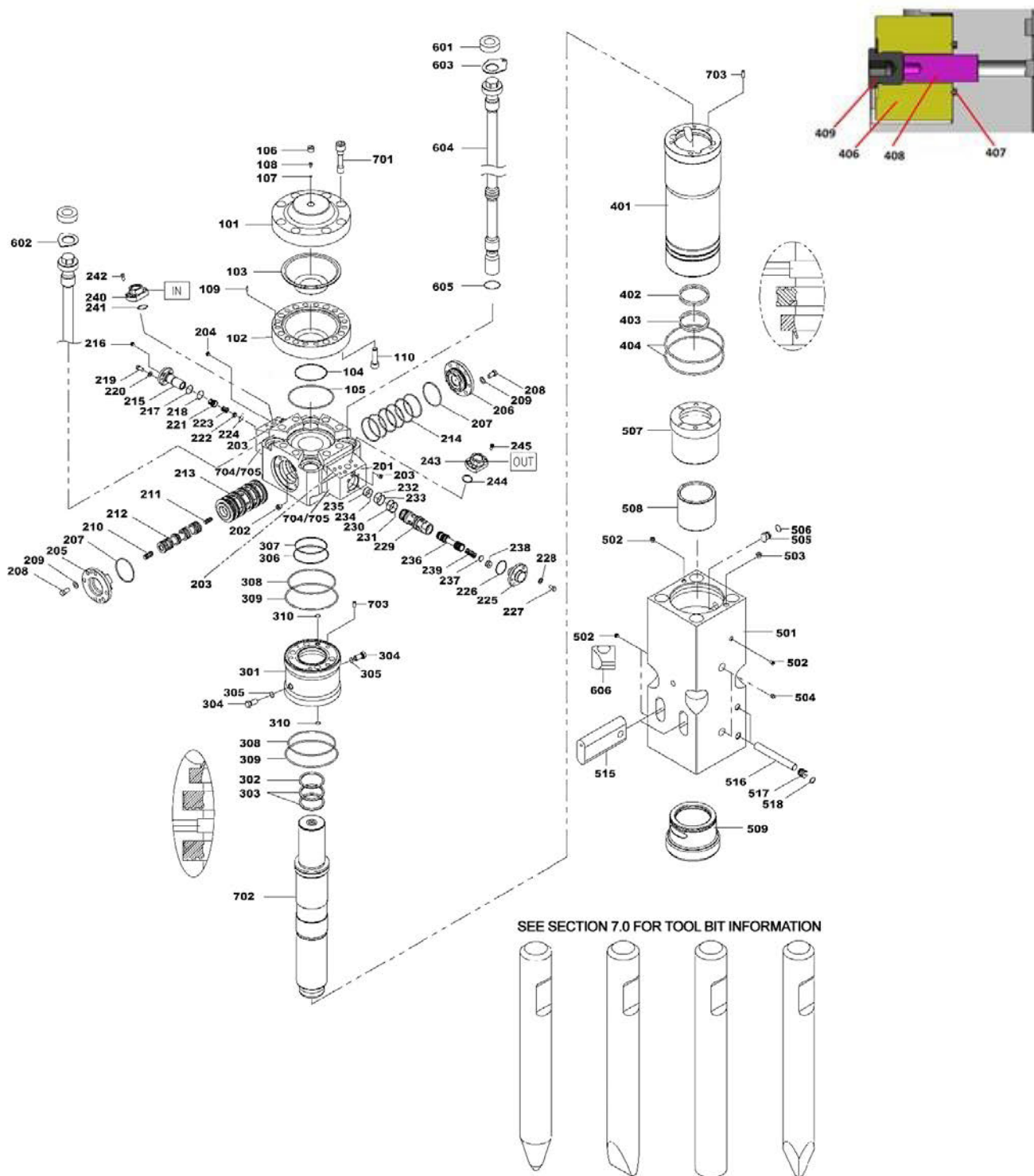


Fig. 3.3 CH130 Breaker



## 3.0 CH Power Cells - CH130

### 3.3 CH130 Power Cell Parts List

NO	PART NO.	PART NAME	QTY	ALTERNATE P/N
	<b>CH130</b>	<b>CH130</b>	1	
101	CHB2006020	ACC. COVER	1	571893
102	CHB200603A	ACC. BOTTOM	1	CHB2006030/101857
103	CHB200704A	MEMBRANE	1	101784
104	CHB2507270	O-RING	1	101839
105	CHB2507280	BACK-UP RING	1	101840
106	CHB4007010	ACC. CAP	1	102262
107	CHB4007020	USIT RING	1	676201
108	CHB4006420	ACC. GAS BOLT	1	676161
109	CHB4006370	ACC. GUIDE PIN	1	676183
110	CHSB2215065	ACC. BOTTOM BOLT	12	102426
201	CHB2006760	VALVE HOUSING	1	CHB2006700/570983
202	CHB2506520	SOCKET PLUG	1	676216
203	CHB4006910	SOCKET PLUG	3	102241
204	CHB4006450	SOCKET PLUG	1	676159
205	CHB2506150	SLEEVE COVER 1.	1	102075
206	CHB2506240	SLEEVE COVER 2.	1	102101
207	CHB2507120	O-RING	2	676202
208	CHHB1620035	HEX BOLT	12	902766
209	CHCW160000	LOCK WASHER	12	571055
210	CHB2506250	SPOOL 1.	1	101862
211	CHB2506160	SPOOL 2.	1	101863
212	CHB2506170	MAIN SPOOL	1	102012
213	CHB2506180	SLEEVE	1	102069
214	CHB2507070	O-RING	6	A102329
215	CHB2506210	CHECK VALVE HOUSING	1	102108
216	CHB4006450	SOCKET PLUG	1	676159
217	CHB2507290	O-RING	1	676206
218	CHB2507300	O-RING	1	102333
219	CHHB1217530	HEX BOLT	4	900023
220	CHCW120000	LOCK WASHER	4	571054

## 3.0 CH Power Cells - CH130

### 3.3 CH130 Power Cell Parts List

NO	PART NO.	PART NAME	QTY	ALTERNATE P/N
221	CHB2506220	CHECK VALVE SPOOL	1	102109
222	CHB2506230	CHECK VALVE SPRING GUIDE	1	102204
223	CHB2506480	CHECK VALVE SPRING	1	102212
224	CHB2506490	LOCK RING	1	102217
225	CHB2506300	OPER. VALVE COVER	1	101855
226	CHB4007200	O-RING	1	676203
227	CHHB1217530	HEX BOLT	4	900023
228	CHCW120000	LOCK WASHER	4	571054
229	CHB2506260	OPER. VALVE GUIDE	1	101844
230	CHB4007190	O-RING	1	100109
231	CHB6007350	BACK-UP RING	1	101788
232	CHB2507200	O-RING	1	676251
233	CHB2507360	BACK-UP RING	1	101789
234	CHB2507190	O-RING	1	101781
235	CHB2507350	BACK-UP RING	1	101789
236	CHB2506270	OPER. VALVE SPOOL	1	101844
237	CHB2506280	OPER. VALVE SPRING GUIDE	1	A101846
238	CHB2506440	OPER. VALVE SHIM PLATE	2	101854
239	CHB2506870	OPER. VALVE SPRING	1	101856
240	CHB3006670	FLANGE	1	572705
241	CHB4007050	O-RING	1	659275
242	CHSB1217040	SOCKET BOLT	4	103001
243	CHB2006660	FLANGE	1	573221
244	CHB4007060	O-RING	1	659275
245	CHSB1420040	SOCKET BOLT	4	103002
301	CHB2006710	SEAL HOUSING	1	571060
302	CHB2007140	WIPER	1	102314
303	CHB2007150	SEAL	2	102340
304	CHB2006870	AIR VENT PLUG	2	B2006870

## 3.0 CH Power Cells - CH130

### 3.3 CH130 Power Cell Parts List

NO	PART NO.	PART NAME	QTY	ALTERNATE P/N
305	CHB0407150	O-RING	2	676209
306	CHB2507080	O-RING	1	A101744
307	CHB2507090	BACK-UP RING	1	101776
308	CHB2507100	O-RING	2	101777
309	CHB2507110	BACK UP RING	2	101778
310	CHB4007310	O-RING	2	571004
401	CHB2006750	CYLINDER (ASO)	1	570984/CHB2006720
402	CHB2007160	SEAL	1	102410
403	CHB2007170	WIPER	1	101525
404	CHB2007130	O-RING	2	101779
406	CHB2806350	STOP VALVE	1	
407	CHA3206550	O-RING	1	
408	CHA2036210	ASO PIN	1	
409	CHA1206780	HEX PLUG	1	
501	CHB2006810	FRONT HEAD	1	570987
502	CHB4006450	SOCKET PLUG	4	676159
503	CHB4006910	SOCKET PLUG	1	573577
504	CHB4006560	GREASE NIPPLE	2	816675
505	CHB4006330	WEDGE	1	102558
506	CHB4007260	O-RING	1	676200
507	CHB2006730	THRUST RING	1	570986
508	CHB2006080	UPPER BUSHING	1	101899
509	CHB2006840	TOOL BUSHING	1	101523
515	CHB2006340	TOOL PIN	2	A101580
516	CFA5006050	BUSHING PIN	2	A101787
517	CHB3006580	RUBBER PLUG	2	102412
518	CHB3006570	SNAP RING	2	570072

## 3.0 CH Power Cells - CH130

### 3.3 CH130 Power Cell Parts List

NO	PART NO.	PART NAME	QTY	ALTERNATE P/N
601	CHB3007030	RUBBER RING	4	101585
602	CHB3006110	LOCK WASHER	3	101586
603	CHB3006120	LOCK WASHER	1	570988
604	CHB2006130	SIDE ROD	4	A101956
605	CHB2007250	O-RING	4	101783
606	CHB2006140	SIDE ROD NUT	4	101898
701	CHB2506100	ACC. COVER BOLT	8	102727
702	CHB2006050	PISTON	1	A101955
703	CHB4006310	GUIDE PIN	2	101545
704	CHS030060	SOCKET PLUG	2	
705	CHDW100000	WASHER	4	

**\*\*Note: For CH130 Tool Bit information, see 46\*\***



# 3.0 CH Power Cells - CH140

## 3.4 CH140 Power Cell

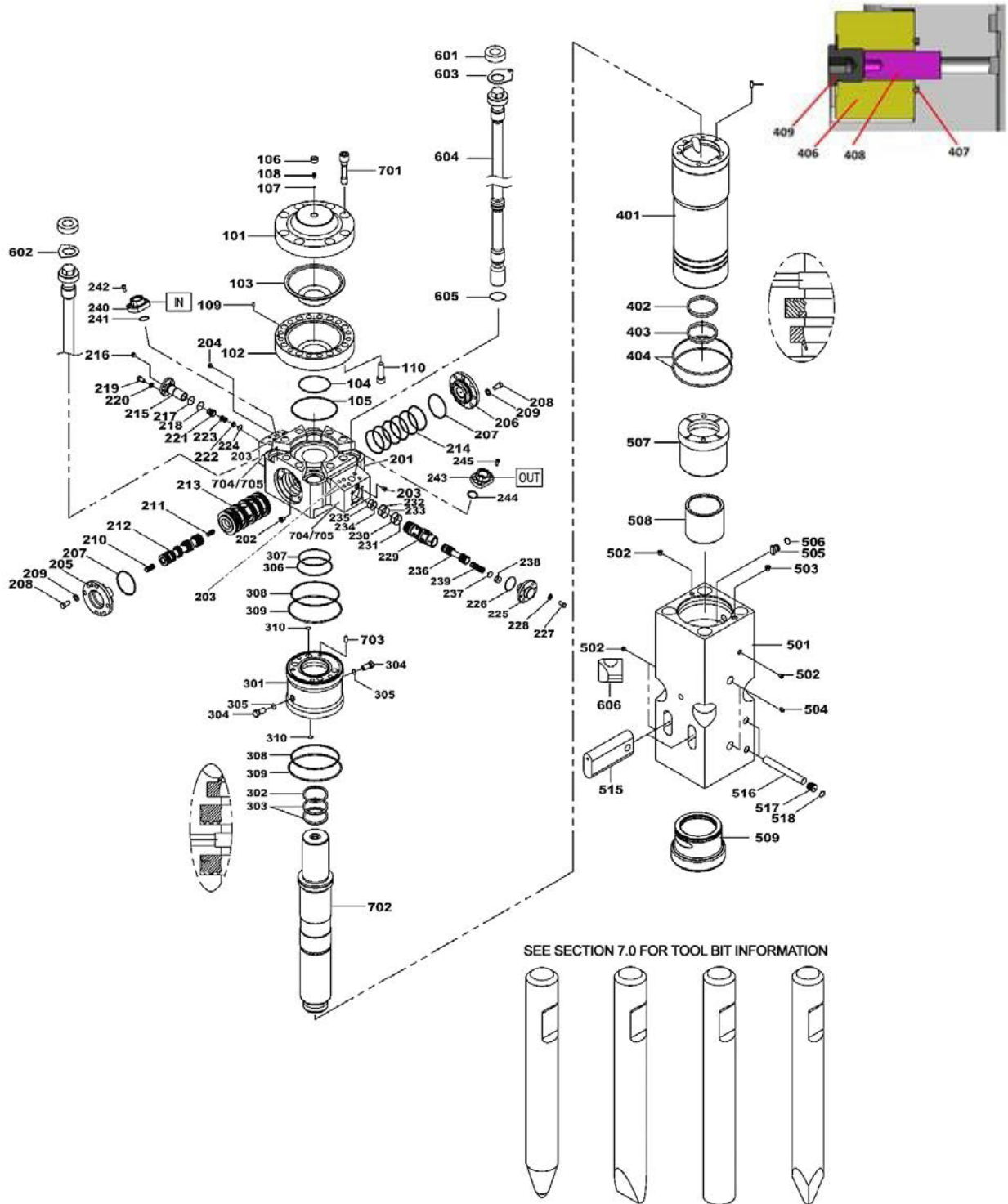


Fig. 3.4 CH140 Breaker

## 3.0 CH Power Cells - CH140

### 3.4 CH140 Power Cell Parts List

NO	PART NO.	PART NAME	QTY	ALTERNATE P/N
	<b>CH140</b>	<b>CH140</b>	1	
101	CHB2506020	ACC. COVER	1	570774
102	CHB250603A	ACC. BOTTOM	1	CHB2506030/570775
103	CHB300704A	MEMBRANE	1	570979
104	CHB2507270	O-RING	1	101839
105	CHB2507280	BACK-UP RING	1	101840
106	CHB4007010	ACC. CAP	1	102262
107	CHB4007020	USIT RING	1	676201
108	CHB4006420	ACC. GAS BOLT	1	676161
109	CHB4006370	ACC. GUIDE PIN	1	676183
110	CHSB2215075	ACC. BOTTOM BOLT	12	570980
201	CHB2506700	VALVE HOUSING	1	570774
202	CHB2506520	SOCKET PLUG	1	676216
203	CHB4006910	SOCKET PLUG	3	102241
204	CHB4006450	SOCKET PLUG	1	676159
205	CHB2506150	SLEEVE COVER 1.	1	102075
206	CHB2506240	SLEEVE COVER 2.	1	102101
207	CHB2507120	O-RING	2	676202
208	CHHB1620035	HEX BOLT	12	902766
209	CHCW160000	LOCK WASHER	12	571055
210	CHB2506250	SPOOL 1.	1	101862
211	CHB2506160	SPOOL 2.	1	101863
212	CHB2506170	MAIN SPOOL	1	102012
213	CHB2506180	SLEEVE	1	102069
214	CHB2507070	O-RING	6	A102329
215	CHB2506210	CHECK VALVE HOUSING	1	102108
216	CHB4006450	SOCKET PLUG	1	676159
217	CHB2507290	O-RING	1	676206
218	CHB2507300	O-RING	1	676245
219	CHHB1217530	HEX BOLT	4	900023
220	CHCW120000	LOCK WASHER	4	571054

## 3.0 CH Power Cells - CH140

### 3.4 CH140 Power Cell Parts List

NO	PART NO.	PART NAME	QTY	ALTERNATE P/N
221	CHB2506220	CHECK VALVE SPOOL	1	102109
222	CHB2506230	CHECK VALVE SPRING GUIDE	1	102204
223	CHB2506480	CHECK VALVE SPRING	1	102212
224	CHB2506490	LOCK RING	1	102217
225	CHB2506300	OPER. VALVE COVER	1	101855
226	CHB4007200	O-RING	1	676203
227	CHHB1217530	HEX BOLT	4	900023
228	CHCW120000	LOCK WASHER	4	571054
229	CHB2506260	OPER. VALVE GUIDE	1	101844
230	CHB4007190	O-RING	1	100109
231	CHB6007350	BACK-UP RING	1	101788
232	CHB2507200	O-RING	1	676251
233	CHB2507360	BACK-UP RING	1	101789
234	CHB2507190	O-RING	1	101781
235	CHB2507350	BACK-UP RING	1	101790
236	CHB2506270	OPER. VALVE SPOOL	1	101845
237	CHB2506280	OPER. VALVE SPRING GUIDE	1	A101846
238	CHB2506440	OPER. VALVE SHIM PLATE	2	101854
239	CHB2506870	OPER. VALVE SPRING	1	101856
240	CHB3006670	FLANGE	1	572705
241	CHB4007050	O-RING	1	677977
242	CHSB1217040	SOCKET BOLT	4	90564
243	CHB3006660	FLANGE	1	572704
244	CHB4007060	O-RING	1	659275
245	CHSB1420040	SOCKET BOLT	4	103002
301	CHB2506710	SEAL HOUSING	1	570776
302	CHB2507140	WIPER	1	570768
303	CHB2507150	SEAL	2	570769
304	CHB2006870	AIR VENT PLUG	2	B2006870



## 3.0 CH Power Cells - CH140

### 3.4 CH140 Power Cell Parts List

NO	PART NO.	PART NAME	QTY	ALTERNATE P/N
305	CHB0407150	O-RING	2	676209
306	CHB2507080	O-RING	1	A101774
307	CHB2507090	BACK-UP RING	1	101776
308	CHB2507100	O-RING	2	101777
309	CHB2507110	BACK UP RING	2	101778
310	CHB4007310	O-RING	2	571004
401	CHB2506750	CYLINDER (ASO)	1	570778/CHB2506720
402	CHB2507160	SEAL	1	570771
403	CHB2507170	WIPER	1	570770
404	CHB2507130	O-RING	2	570767
406	CHB2806350	STOP VALVE	1	
407	CHA3206550	O-RING	1	
408	CHA2036210	ASO PIN	1	
409	CHA1206780	HEX PLUG	1	
501	CHB2506810	FRONT HEAD	1	570971
502	CHB4006450	SOCKET PLUG	4	676159
503	CHB4006910	SOCKET PLUG	1	102241
504	CHB4006560	GREASE NIPPLE	2	816675
505	CHB4006330	WEDGE	1	A102558
506	CHB4007260	O-RING	1	676206
507	CHB2506730	THRUST RING	1	570779
508	CHB2506080	UPPER BUSHING	1	570780
509	CHB2506840	TOOL BUSHING	1	570977
515	CHB2506340	TOOL PIN	2	570976
516	CFA5006050	BUSHING PIN	2	A101787
517	CHB3006580	RUBBER PLUG	2	102412
518	CHB3006570	SNAP RING	2	570072

## 3.0 CH Power Cells - CH140

### 3.4 CH140 Power Cell Parts List

NO	PART NO.	PART NAME	QTY	ALTERNATE P/N
601	CHB3007030	RUBBER RING	4	101585
602	CHB3006110	LOCK WASHER	3	101586
603	CHB3006120	LOCK WASHER	1	570988
604	CHB2506130	SIDE ROD	4	570973
605	CHB2507250	O-RING	4	101585
606	CHB2506140	SIDE ROD NUT	4	570974
701	CHB2506100	ACC. COVER BOLT	8	570972
702	CHB2506050	PISTON	1	570777
703	CHB4006310	GUIDE PIN	2	102545
704	CHS030060	SOCKET PLUG	2	
705	CHS030060	WASHER	4	

**\*\*Note: For CH140 Tool Bit information, see 46\*\***



# Medium Series Breakers

## Models

CH110

CH120

CH130

CH140

# Housings

## 4.0 Housings - CH110

### 4.1 CH110 Housing

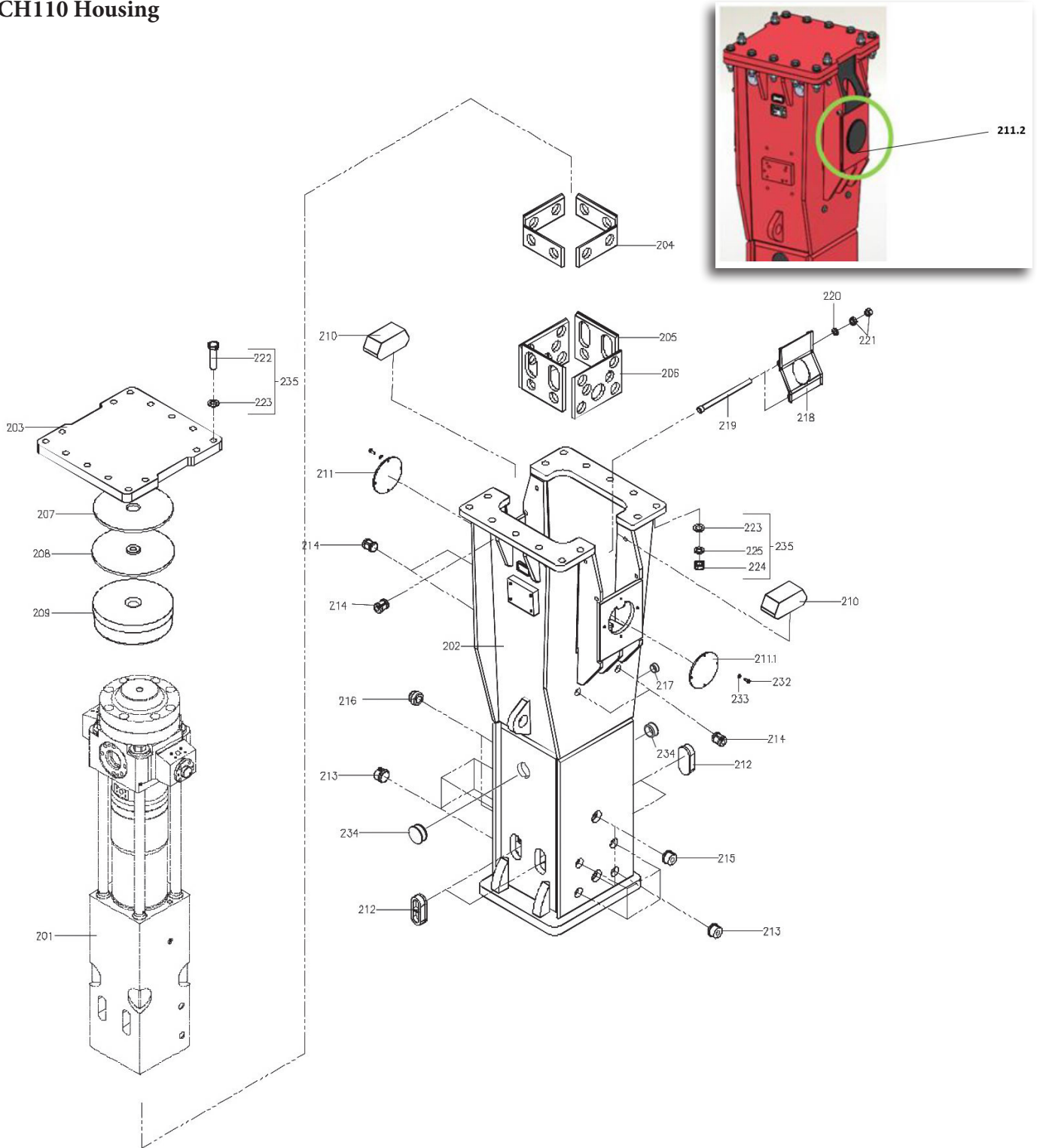


Fig. 4.1 CH110 Housing

## 4.0 Housings - CH110

### 4.1 CH110 Housing Parts List

NO	PART NO.	PART NAME	QTY	ALTERNATE P/N
202	CHB1603210	HOUSING WELD ASSY	1	CHB160B020
203	CHE00103	MOUNTING PLATE	1	576789
204	CHB1500030	WEAR PLATE	4	571737
205	CHB1500040	WEAR PLATE	2	571736
206	CHB1600050	WEAR PLATE	2	571738
207	CHB1500060	TOP WEAR PLATE	1	571735
208	CHB1500070	TOP PLATE ASSY	1	571734
209	CHB1500080	TOP BUFFER	1	571733
210	CHB1500090	SIDE BUFFER	2	571765
211.1	CHB150A240	METAL COVER PLATE	2	EARLY VERSION
211.2	CHB1500100	RUBBER PLUG	2	
212	CHB1800110	RUBBER	4	571767
213	CHB1800130	RUBBER	8	572390
214	CHB3000140	RUBBER	6	570998
215	CHB3200040	RUBBER	2	B3200050
216	CHB3200050	RUBBER	2	575360
217	CHB1601460	RUBBER	2	
218	CHB1500150	PORT COVER	2	571766
219	CHSB1420240	SOCKET BOLT	4	575781
220	CHPW140000	PLAIN WASHER	4	575257
221	CHHN142000	HEX. NUT	8	607264
222	CHHB2430110	HEX. BOLT	14	101765
223	CHPW240000	PLAIN WASHER	28	901291
224	CHNN243000	NYLON LOCK NUT	14	90507
225	CHSW240000	SPRING WASHER	14	658529
232	CHHB1015025	HEX. BOLT	8	798062
233	CHSW100000	SPRING WASHER	8	940237
234	CHB1601460	RUBBER PLUG	2	
235	CHB520BTPBK	MOUNTING BOLT KIT (INCLUDES 222/223/224/225)	1	

## 4.0 Housings - CH120

### 4.2 CH120 Housing

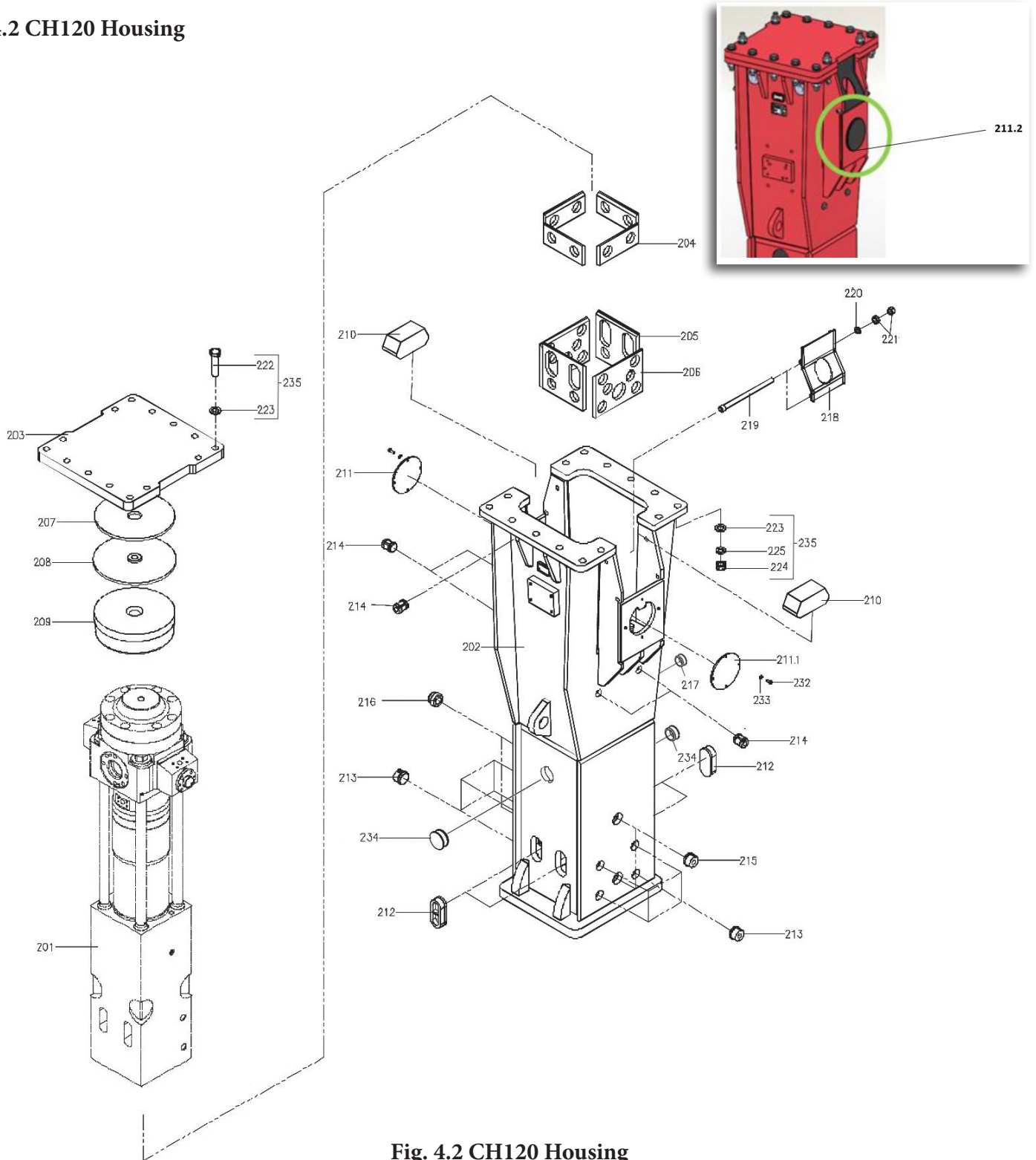


Fig. 4.2 CH120 Housing

## 4.0 Housings - CH120

### 4.2 CH120 Housing Parts List

NO	PART NO.	PART NAME	QTY	ALTERNATE P/N
202	CHB1804510	HOUSING WELD ASSY	1	CHB180B020
203	CHE00103	MOUNTING PLATE	1	576789
204	CHB1800030	WEAR PLATE	4	572474
205	CHB1800040	WEAR PLATE	2	572409 (F&R)
206	CHB1800050	WEAR PLATE	2	572475 (Side)
207	CHB1800060	TOP WEAR PLATE	1	572408
208	CHB1800070	TOP PLATE ASSY	1	572407
209	CHB1800080	TOP BUFFER	1	572406
210	CHB2500090	SIDE BUFFER	2	101517
211.1	CHB250A010	METAL COVER PLATE	2	EARLY VERSION
211.2	CHB2500100	RUBBER PLUG	2	
212	CHB1800110	RUBBER	4	571767
213	CHB1800130	RUBBER	8	572390
214	CHB3000140	RUBBER	6	570998
215	CHB3200040	RUBBER	2	576360
216	CHB3200050	RUBBER	2	B3200050
217	CHB1601460	RUBBER	2	
218	CHB2500150	PORT COVER	2	570994
219	CHSB1420270	SOCKET BOLT	4	571768
220	CHPW140000	PLAIN WASHER	4	575257
221	CHHN142000	HEX. NUT	8	607264
222	CHHB2430110	HEX. BOLT	14	101765
223	CHPW240000	PLAIN WASHER	28	901291
224	CHNN243000	NYLON LOCK NUT	14	90507
225	CHSW240000	SPRING WASHER	14	658529
232	CHHB1015025	HEX BOLT	8	
233	CHSW100000	SPRING WASHER	8	
234	CHB1601460	RUBBER PLUG	2	
235	CHB520BTPBK	MOUNTING BOLT KIT (INCLUDES 222/223/224/225)	1	

## 4.0 Housings - CH130

### 4.3 CH130 Housing

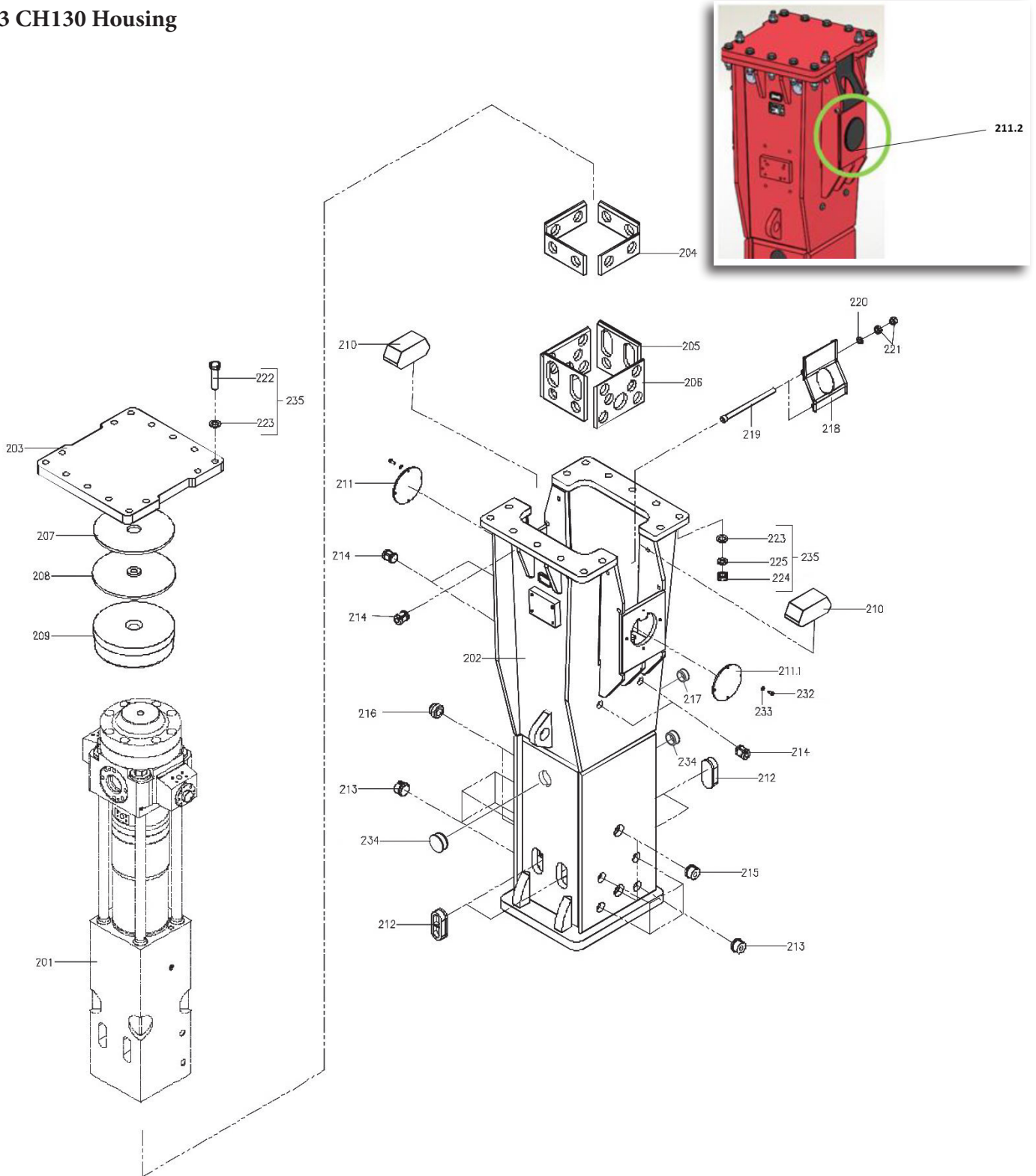


Fig. 4.3 CH130 Housing

Connect Work Tools Medium Series Breaker Model CH130 Housing



## 4.0 Housings - CH130

### 4.3 CH130 Housing Parts List

NO	PART NO.	PART NAME	QTY	ALTERNATE P/N
202	CHB2004810	HOUSING WELD ASSY	1	CHB200B020
203	CHE00104	MOUNTING PLATE	1	570111
204	CHB2000030	WEAR PLATE	4	101515
205	CHB2000040	WEAR PLATE	2	101035
206	CHB2000050	WEAR PLATE	2	101926
207	CHB2500060	TOP WEAR PLATE	1	101034
208	CHB2500070	TOP PLATE ASSY	1	101516
209	CHB2000080	TOP BUFFER	1	101033
210	CHB2500090	SIDE BUFFER	2	101517
211.1	CHB250A010	METAL COVER PLATE	2	EARLY VERSION
211.2	CHB2500100	RUBBER PLUG	2	
212	CHB2000110	RUBBER	4	571001
213	CHB1800130	RUBBER	8	572390
214	CHB3000140	RUBBER	6	570998
215	CHB3200040	RUBBER	2	575360
216	CHB3200050	RUBBER	2	B3200050
217	CHB1601460	RUBBER	2	
218	CHB2500150	PORT COVER	2	570995
219	CHSB1420270	SOCKET BOLT	4	N/A
220	CHPW140000	PLAIN WASHER	4	575257
221	CHHN142000	HEX. NUT	8	607264
222	CHHB2430110	HEX. BOLT	14	101765
223	CHPW240000	PLAIN WASHER	28	901291
224	CHNN243000	NYLON LOCK NUT	14	90507
225	CHSW240000	SPRING WASHER	14	658529
232	CHHB1015025	HEX BOLT	8	
233	CHSW100000	SPRING WASHER	8	
234	CHB1601460	RUBBER PLUG	2	
235	CHB520BTPBK	MOUNTING BOLT KIT (INCLUDES 222/223/224/225)	1	

## 4.0 Housings - CH140

### 4.4 CH140 Housing

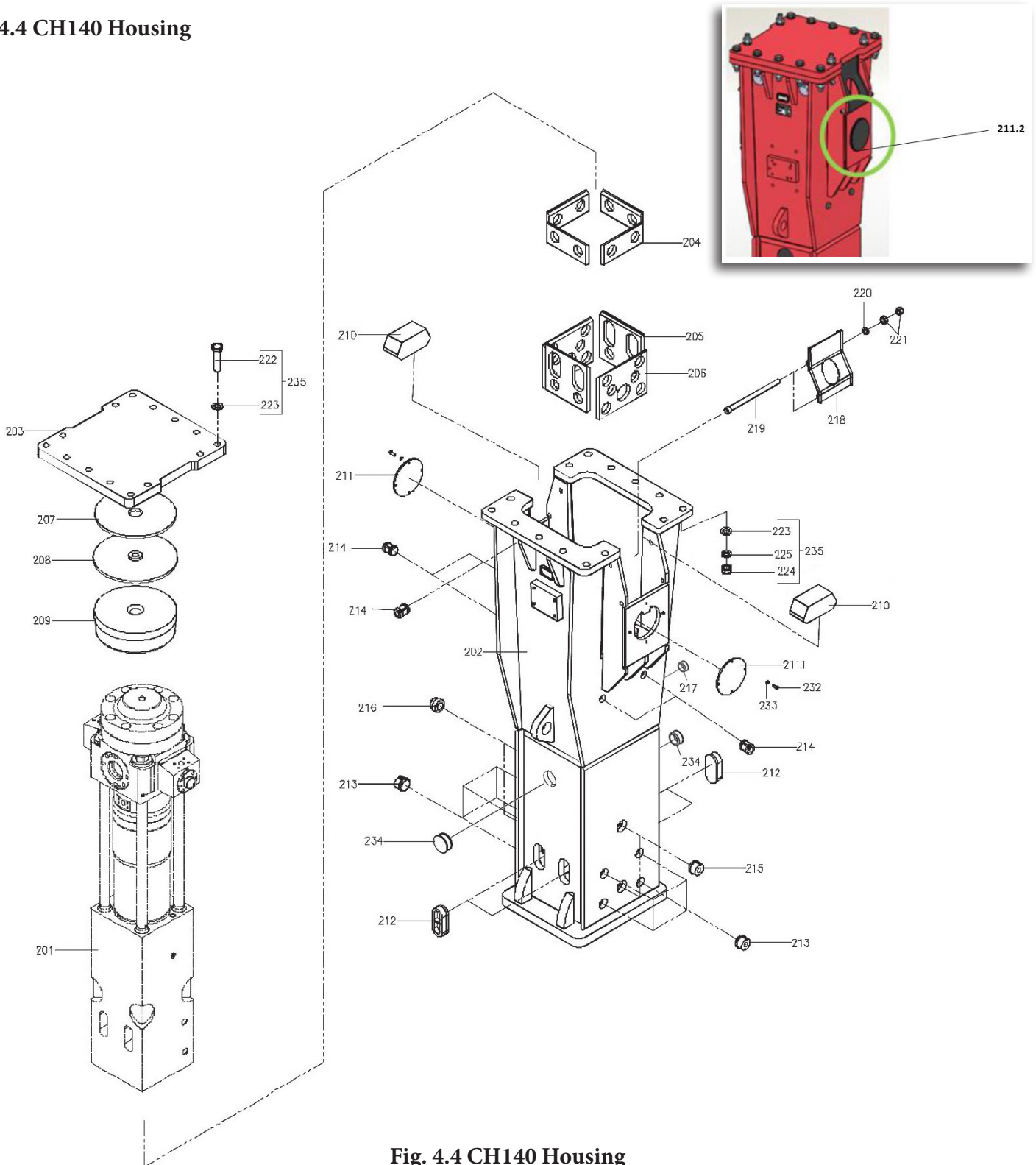


Fig. 4.4 CH140 Housing

## 4.0 Housings - CH140

### 4.4 CH140 Housing Parts List

NO	PART NO.	PART NAME	QTY	ALTERNATE P/N
202	CHB2503910	HOUSING WELD ASSY	1	CHB250B100
203	CHE00104	MOUNTING PLATE	1	570111
204	CHB2500030	WEAR PLATE	4	570992
205	CHB2500040	WEAR PLATE	2	570991
206	CHB2500050	WEAR PLATE	2	570993
207	CHB2500060	TOP WEAR PLATE	1	101034
208	CHB2500070	TOP PLATE ASSY	1	101516
209	CHB2500080	TOP BUFFER	1	570989
210	CHB2500090	SIDE BUFFER	2	101517
211.1	CHB250A010	METAL COVER PLATE	2	EARLY VERSION
211.2	CHB2500100	RUBBER PLUG	2	
212	CHB2500110	RUBBER	4	570996
213	CHB4000130	RUBBER	8	570997
214	CHB3000140	RUBBER	6	570998
215	CHB3200040	RUBBER	2	572389
216	CHB3200050	RUBBER	2	B3200050
217	CHB1601460	RUBBER	2	
218	CHB2500150	PORT COVER	2	570994
219	CHSB1420280	SOCKET BOLT	4	576945
220	CHPW140000	PLAIN WASHER	4	575257
221	CHHN142000	HEX. NUT	8	607264
222	CHHB2430110	HEX. BOLT	14	101765
223	CHPW240000	PLAIN WASHER	28	901291
224	CHNN243000	NYLON LOCK NUT	14	90507
225	CHSW240000	SPRING WASHER	14	658529
232	CHHB1015025	HEX BOLT	8	
233	CHSW100000	SPRING WASHER	8	
234	CHB1601460	RUBBER PLUG	2	
235	CHB520BTPBK	MOUNTING BOLT KIT (INCLUDES 222/223/224/225)	1	

Connect Work Tools Medium Series Breaker Model CH140 Housing

# 5.0 Seal Kits

## 5.1 CH110 Seal Kit

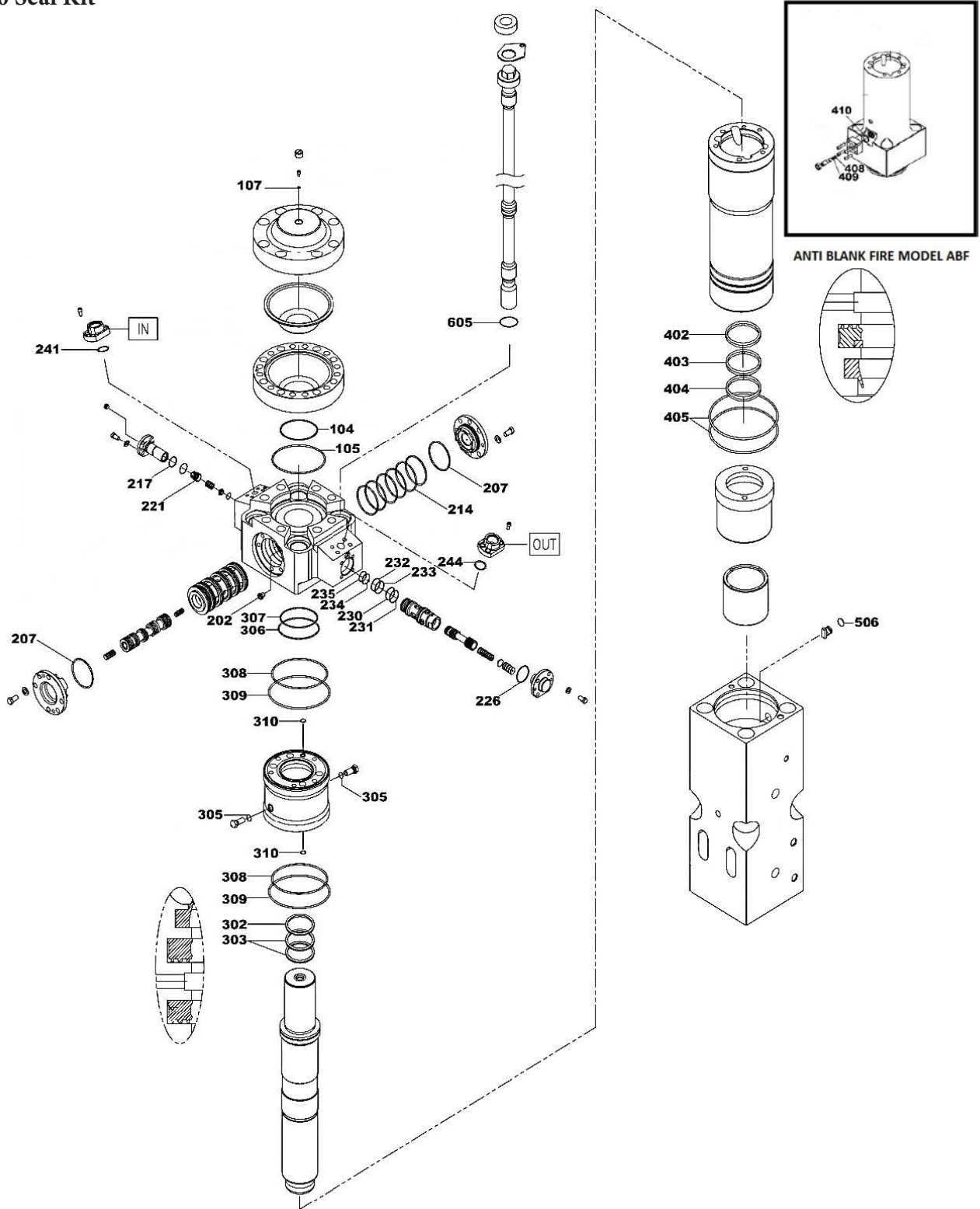


Fig. 5.1 CH110 Seal Kit

Connect Work Tools Medium Series Breaker Model CH110 Seal Kit

## 5.0 Seal Kits

### 5.1 CH110 Seal Kit Parts List

<b>CH110 SEAL KIT</b>					
Item	Illustration	QTY	Description	Part Number	Assembly Area
1		1	SEAL KIT	CHB1607500HX	
2	241	1	O - RING	CHB1507050	FLANGE(IN)
3	244	1	O - RING	CHB4007050	FLANGE(OUT)
4	214	6	O - RING	CHB1507070	SLEEVE
5	306	1	O - RING	CHB1507080	SEAL HOUSING
6	307	1	BACKUP RING	CHB1507090	SEAL HOUSING
7	308	2	O - RING	CHB1507100	SEAL HOUSING
8	309	2	BACKUP RING	CHB1507110	SEAL HOUSING
9	207	2	O - RING	CHB1507120	SLEEVE COVER 1,2
10	405	2	O - RING	CHB1507130	CYLINDER
11	302	1	WIPER	CHB1507140	SEAL HOUSING
12	303	2	SEAL	CHB1507150	SEAL HOUSING
13	217/234	2	O - RING	CHB2507290	V/V GUIDE
14	232	1	O - RING	CHB1507200	V/V GUIDE
15	230	1	O - RING	CHB2507190	V/V GUIDE
16	226	1	O - RING	CHB2507200	V/V COVER
17	605	4	O - RING	CHB1507250	SIDE ROD
18	506	1	O - RING	CHB4007260	WEDGE
19	107	1	USIT RING	CHB4007020	ACC. COVER
20	104	1	O - RING	CHB1507270	ACC. BOTTOM
21	105	1	BACKUP RING	CHB1507280	ACC. BOTTOM
22	218	1	O - RING	CHB2507300	CHECK V/V HOUSING
23	310	2	O - RING	CHB1807310	SEAL HOUSING
24	235	1	BACKUP RING	CHB1507350	V/V GUIDE
25	233	1	BACKUP RING	CHB1507360	V/V GUIDE
26	231	1	BACKUP RING	CHB2507350	V/V GUIDE
27	402	1	STEP SEAL	CHB1607370	CYLINDER
28	403	1	U - PACKING	CHB1607380	CYLINDER
29	404	1	WIPER	CHB1607390	CYLINDER
30	305	2	O - RING	CHB0407150	AIR VENT PLUG
31	408	1	O-RING	CHA3206550	CYLINDER / STOP VALVE
32	409	1	O-RING	CHB1807310	CYLINDER / ADJUST BOLT
33	410	1	BACKUP RING	CHA3007160	CYLINDER / ADJUST BOLT
34	513	1	WIPER	CHB1507320	TOOL BUSHING(OPTION)

# 5.0 Seal Kits

## 5.2 CH120 Seal Kit

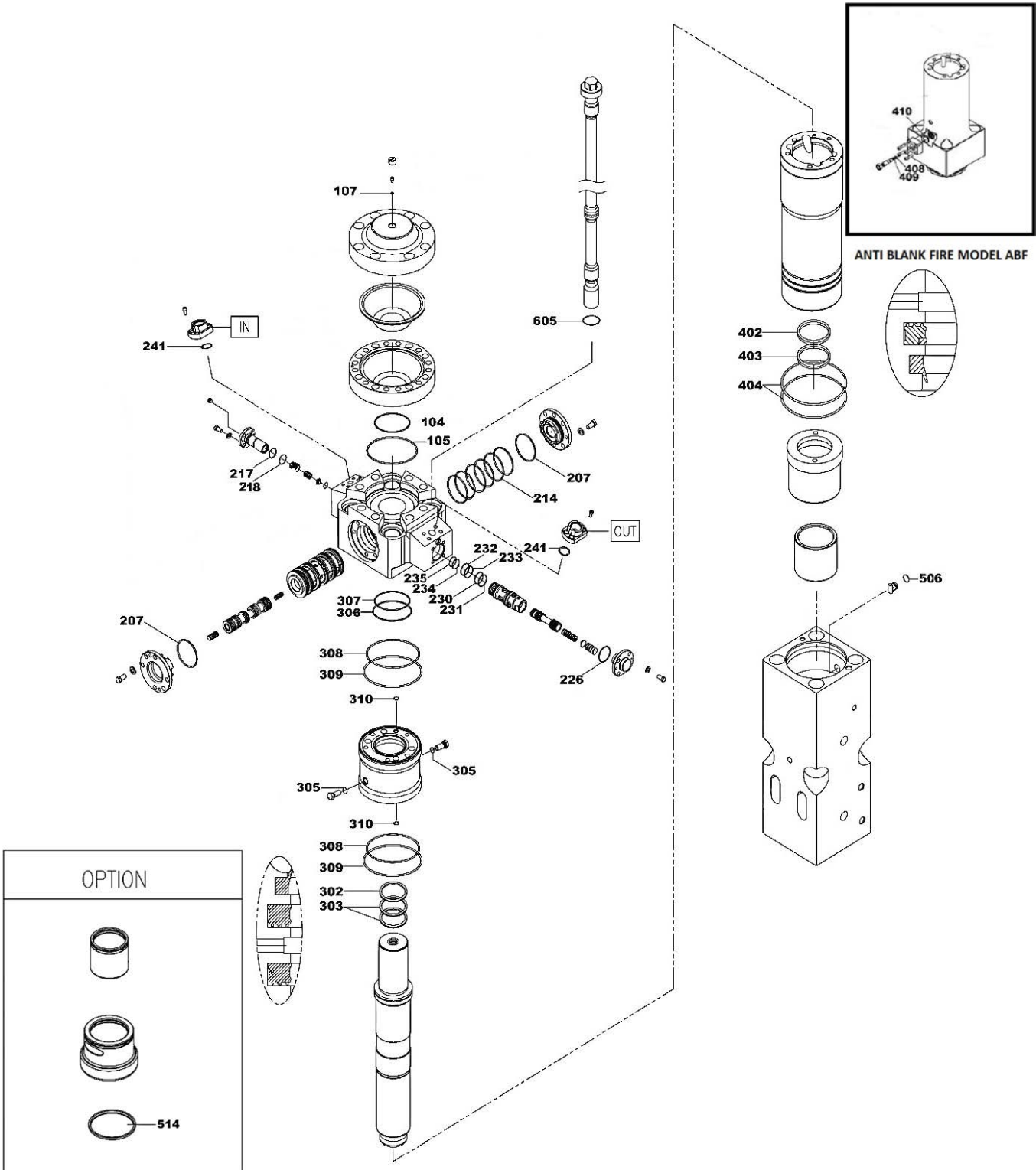


Fig. 5.2 CH120 Seal Kit  
 Connect Work Tools Medium Series Breaker Model CH120 Seal Kit

## 5.0 Seal Kits

### 5.2 CH120 Seal Kit Parts List

<b>CH120 SEAL KIT</b>					
<b>Item</b>	<b>Illustration</b>	<b>QTY</b>	<b>Description</b>	<b>Part Number</b>	<b>Assembly Area</b>
<b>1</b>		<b>1</b>	<b>SEAL KIT</b>	<b>CHB180780BHX</b>	
2	241	2	O - RING	CHB4007050	FLANGE(IN,OUT)
3	214	6	O - RING	CHB2507070	SLEEVE
4	306	1	O - RING	CHB1807080	SEAL HOUSING
5	307	1	BACKUP RING	CHB1807090	SEAL HOUSING
6	308	2	O - RING	CHB1807100	SEAL HOUSING
7	309	2	BACKUP RING	CHB1807110	SEAL HOUSING
8	207	2	O - RING	CHB2507120	SLEEVE COVER 1,2
9	404	2	O - RING	CHB1807130	CYLINDER
10	302	1	WIPER	CHB1807140	SEAL HOUSING
11	303	2	SEAL	CHB1807150	SEAL HOUSING
12	402	1	SEAL	CHB1807160	CYLINDER
13	403	1	WIPER	CHB1807170	CYLINDER
14	234	1	O - RING	CHB2507190	V/V GUIDE
15	232	1	O - RING	CHB2507200	V/V GUIDE
16	230	1	O - RING	CHB4007190	V/V GUIDE
17	226	1	O - RING	CHB4007200	V/V COVER
18	605	4	O - RING	CHB1807250	SIDE ROD
19	506	1	O - RING	CHB4007260	WEDGE
20	107	1	USIT RING	CHB4007020	ACC. COVER
21	104	1	O - RING	CHB2507270	ACC. BOTTOM
22	105	1	BACKUP RING	CHB2507280	ACC. BOTTOM
23	217	1	O - RING	CHB2507290	CHECK V/V HOUSING
24	218	1	O - RING	CHB2507300	CHECK V/V HOUSING
25	310	2	O - RING	CHB1807310	SEAL HOUSING
26	235	1	BACKUP RING	CHB2507350	V/V GUIDE
27	233	1	BACKUP RING	CHB2507360	V/V GUIDE
28	231	1	BACKUP RING	CHB6007350	V/V GUIDE
29	305	2	O - RING	CHB0407150	AIR VENT PLUG
30	408	1	O-RING	CHA3206550	CYLINDER / STOP VALVE
31	409	1	O-RING	CHB1807310	CYLINDER / ADJUST BOLT
32	410	1	BACKUP RING	CHA3007160	CYLINDER / ADJUST BOLT
33	514	1	WIPER	CHB1807330	TOOL BUSHING(OPTION)

# 5.0 Seal Kits

## 5.3 CH130/CH140 Seal Kit

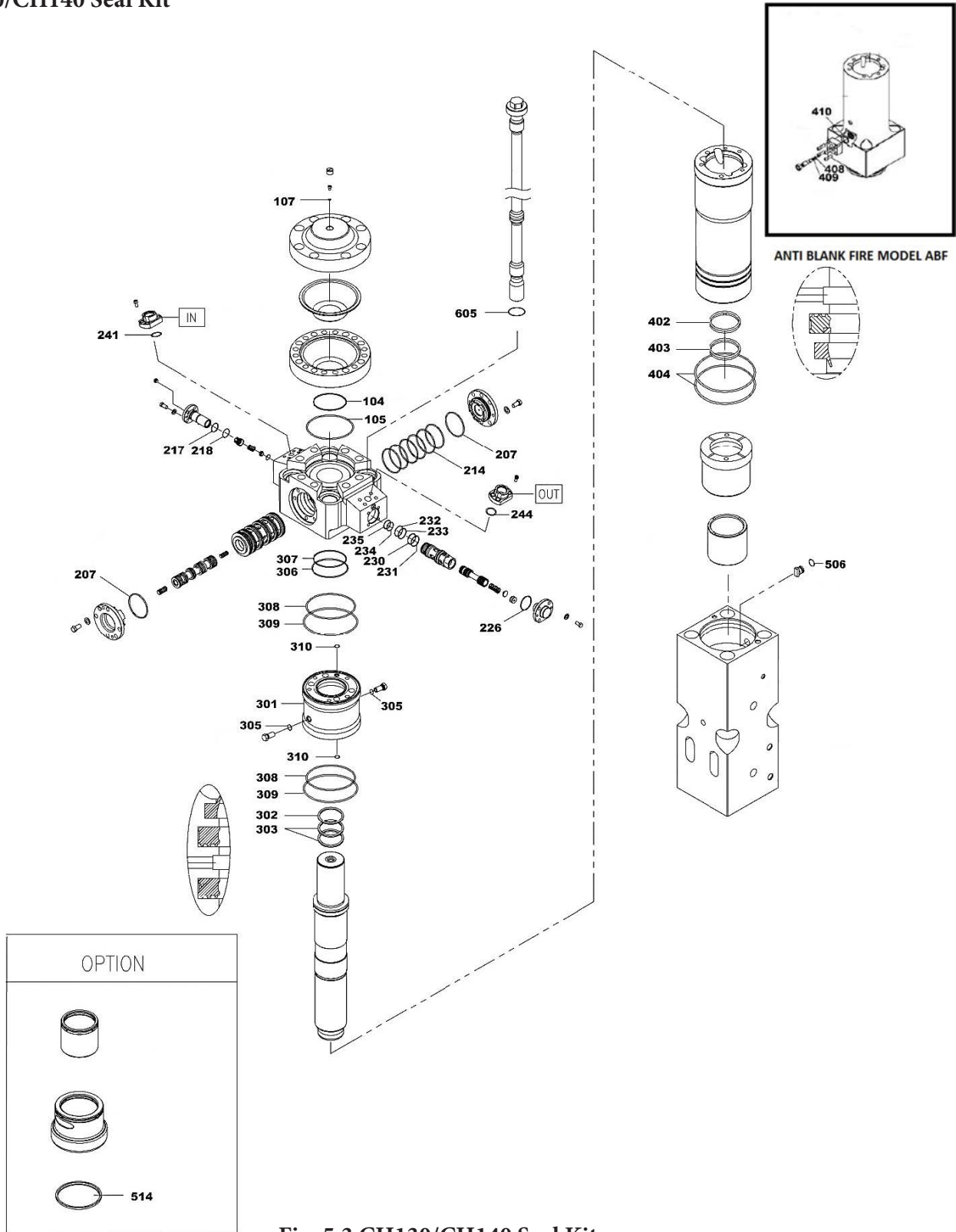


Fig. 5.3 CH130/CH140 Seal Kit

Connect Work Tools Medium Series Breaker Model CH130/CH140 Seal Kits



## 5.0 Seal Kits

### 5.3 CH130/CH140 Seal Kit Parts List

<b>CH130/CH140 SEAL KIT</b>						
Item	Illustration	QTY	Description	CH130 Part Number	CH140 Part Number	Assembly Area
1		1	SEAL KIT	CHB2007800HX	CHB2507800HX	
2	241	1	O - RING	CHB4007050	CHB4007050	FLANGE(IN)
3	244	1	O - RING	CHB4007060	CHB4007060	FLANGE(OUT)
4	214	6	O - RING	CHB2507070	CHB2507070	SLEEVE
5	306	1	O - RING	CHB2507080	CHB2507080	SEAL HOUSING
6	307	1	BACKUP RING	CHB2507090	CHB2507090	SEAL HOUSING
7	308	2	O - RING	CHB2507100	CHB2507100	SEAL HOUSING
8	309	2	BACKUP RING	CHB2507110	CHB2507110	SEAL HOUSING
9	207	2	O - RING	CHB2507120	CHB2507120	SLEEVE COVER 1,2
10	404	2	O - RING	CHB2007130	CHB2507130	CYLINDER
11	302	1	WIPER	CHB2007140	CHB2507140	SEAL HOUSING
12	303	2	SEAL	CHB2007150	CHB2507150	SEAL HOUSING
13	402	1	SEAL	CHB2007160	CHB2507160	CYLINDER
14	403	1	WIPER	CHB2007170	CHB2507170	CYLINDER
15	234	1	O - RING	CHB2507190	CHB2507190	V/V GUIDE
16	232	1	O - RING	CHB2507200	CHB2507200	V/V GUIDE
17	230	1	O - RING	CHB4007190	CHB4007190	V/V GUIDE
18	226	1	O - RING	CHB4007200	CHB4007200	V/V COVER
19	605	4	O - RING	CHB2007250	CHB2507250	SIDE ROD
20	506	1	O - RING	CHB4007260	CHB4007260	WEDGE
21	107	1	USIT RING	CHB4007020	CHB4007020	ACC. COVER
22	104	1	O - RING	CHB2507270	CHB2507270	ACC. BOTTOM
23	105	1	BACKUP RING	CHB2507280	CHB2507280	ACC. BOTTOM
24	217	1	O - RING	CHB2507290	CHB2507290	CHECK V/V HOUSING
25	218	1	O - RING	CHB2507300	CHB2507300	CHECK V/V HOUSING
26	310	2	O - RING	CHB4007310	CHB4007310	SEAL HOUSING
27	235	1	BACKUP RING	CHB2507350	CHB2507350	V/V GUIDE
28	233	1	BACKUP RING	CHB2507360	CHB2507360	V/V GUIDE
29	231	1	BACKUP RING	CHB6007350	CHB6007350	V/V GUIDE
30	305	2	O - RING	CHB0407150	CHB0407150	AIR VENT PLUG
31	408	1	O-RING	CHA3206550	CHA3206550	CYLINDER / STOP VALVE
32	409	1	O-RING	CHB1807310	CHB1807310	CYLINDER / ADJUST BOLT
33	410	1	BACKUP RING	CHA3007160	CHA3007160	CYLINDER / ADJUST BOLT
34	514	1	WIPER	CHB2007320	CHB2507320	TOOL BUSHING(OPTION)

## 6.0 Rebuild Kits

### 6.1 CH110 Rebuild Kit

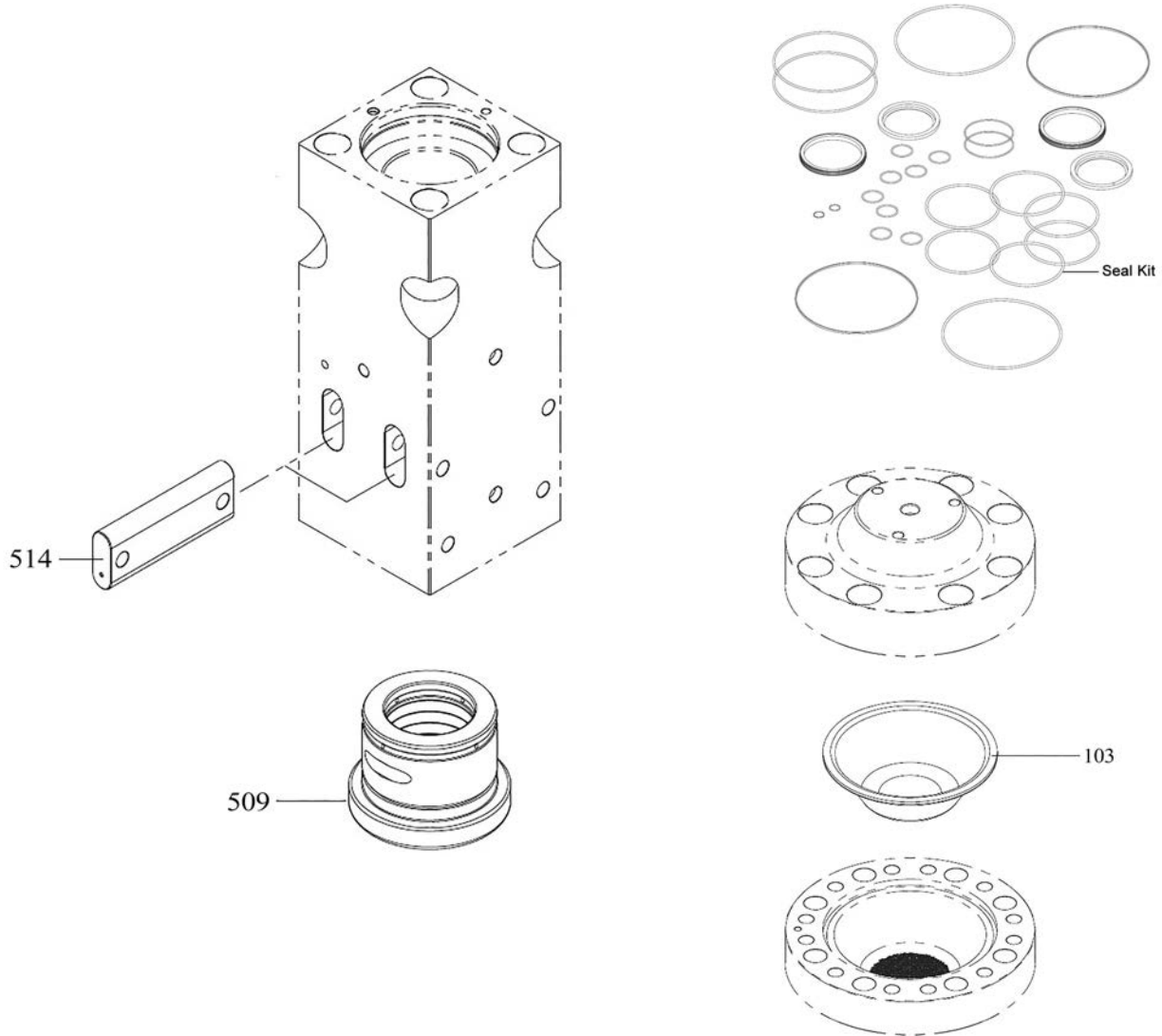


Fig. 6.1 CH110 Rebuild Kit

<b>CH110 REBUILD KIT</b>			
Item	QTY	Description	Part Number
			Model CH110
	<b>1</b>	<b>Kit</b>	<b>CHTKB520EXO</b>
514	2	TOOL PIN	CHB1506340
509	2	TOOL BUSHING	CHB1506840
103	1	MEMBRANE	CHB150704A
	1	SEAL KIT	CHB1607500HX

## 6.0 Rebuild Kits

### 6.2 CH120/CH130/CH140 Rebuild Kits

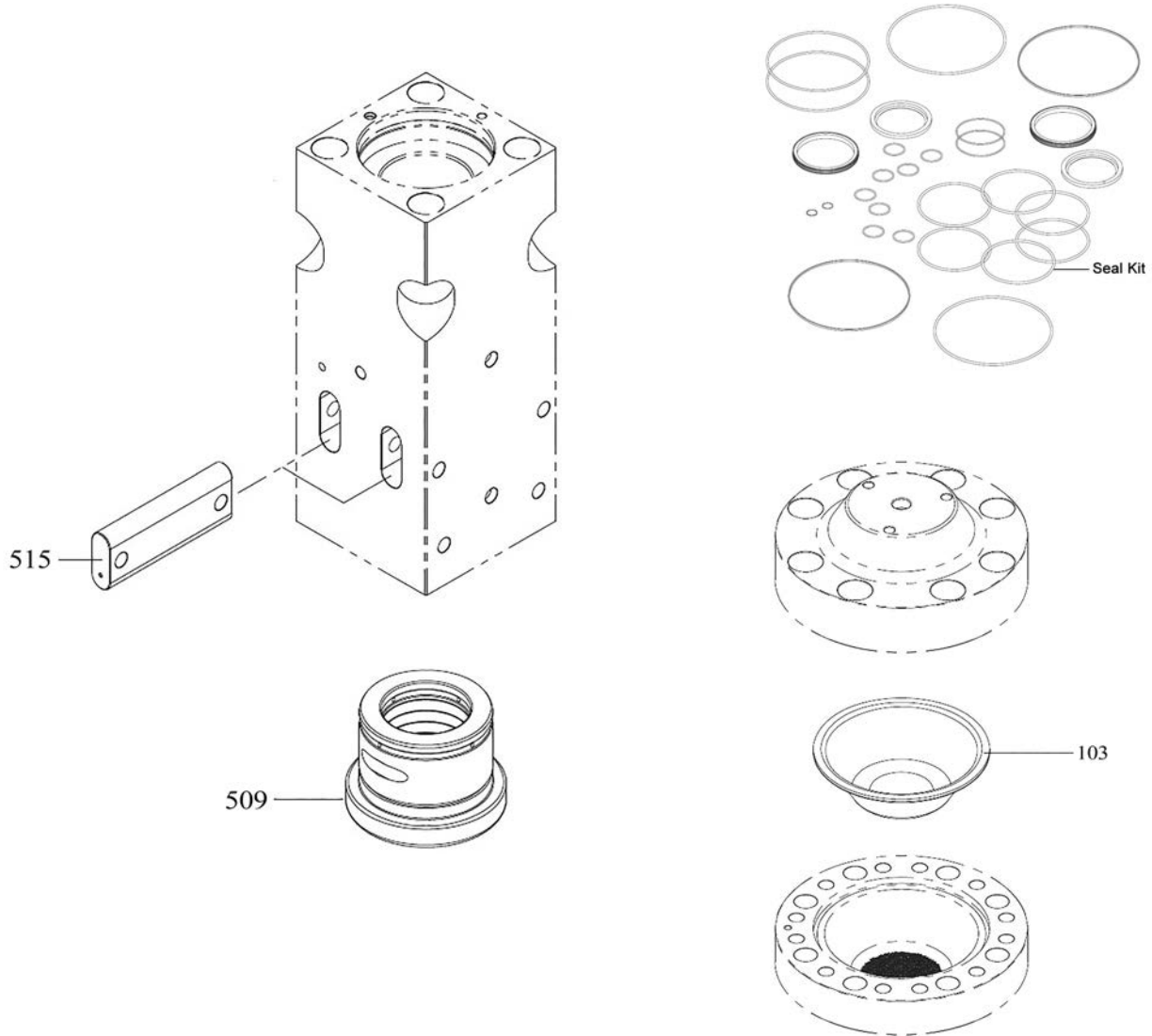


Fig. 6.2 CH120/CH130/CH140 Rebuild Kit

<b>CH120/CH130/CH140 REBUILD KITS</b>					
Item	QTY	Description	Part Number		
			Model CH120	Model CH130	Model CH140
	<b>1</b>	<b>Kit</b>	<b>CHTKB550EXO</b>	<b>CHTKB600EXO</b>	<b>CHTKB700EXO</b>
515	2	TOOL PIN	CHB1806340	CHB2006340	CHB2506340
509	1	TOOL BUSHING	CHB1806840	CHB2006840	CHB2506840
103	1	MEMBRANE	CHB200704A	CHB200704A	CHB300704A
	1	SEAL KIT	CHB180780BHX	CHB2007800HX	CHB2507800HX

## 7.0 Tool Bits

### 7.1 Tool Bits

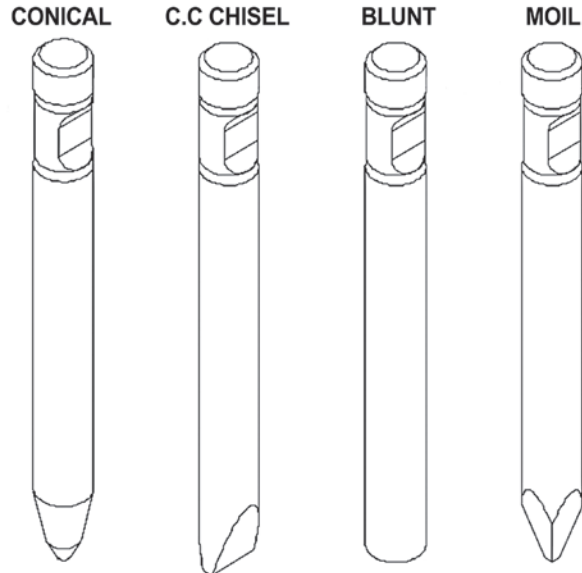


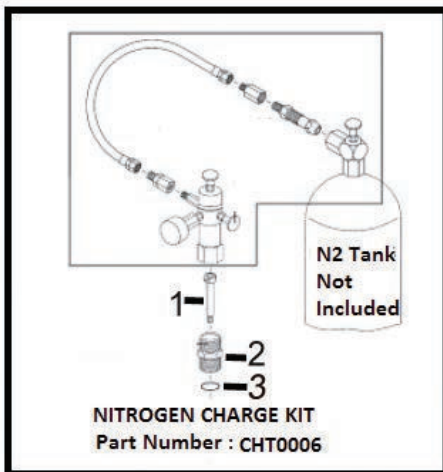
Fig. 7.1 Tool Bits

MODEL	PART NO.	MODEL	PART NO.	MODEL	PART NO.	MODEL	PART NO.	TOOL TYPE
CH110	CHB1506380	CH120	CHB1806380	CH130	CHB2006380	CH140	CHB2506380	CONICAL
	CHB1506390		CHB1806390		CHB2006390		CHB2506390	CHISEL
	CHB1506400		CHB1806400		CHB2006400		CHB2506400	BLUNT
	CHB1506620		CHB1806620		CHB2006620		CHB2506620	MOIL

Connect Work Tools Medium Series Breaker Model CH110/CH120/CH130/CH140 Tool Bits

## 8.0 Tools Nitrogen (N<sup>2</sup>) Charge Kit - CH110/CH120/CH130/CH140

### 8.1 CH110/CH120/CH130/CH140 Nitrogen (N<sup>2</sup>) Charge Kit



NO	PART NO.	PART NAME	QTY
	CHT0006	N2 Charge Kit	1
1	CHBM1C60052	CHARGE TOOL SOCKET HEAD BOLT	1
2	CH1G020026	CHARGE TOOL ADAPTER	1
3	CGA2507380	O-RING	1

Fig. 8.1 CH110/CH120/CH130/CH140 Nitrogen (N<sup>2</sup>) Charge Kit

Connect Work Tools Medium Series Breaker Model CH110/CH120/CH130/CH140 Nitrogen (N<sup>2</sup>) Charge Kit

## 9.0 Hoses - CH110/CH120/CH130/CH140

### 9.1 CH110/CH120/CH130/CH140 Hoses

<b>CH110/CH120/CH130/CH140</b>					
Model	Hose Chart				
	Part Number	Length	Diameter/psi	Fitting 1	Fitting 2
CH110/CH120/CH130	40-02171	96"	1.00"/3000	16FJSW	16FJSW
CH140	40-02172	102"	1.25"/3000	20FJSW	20FJSW

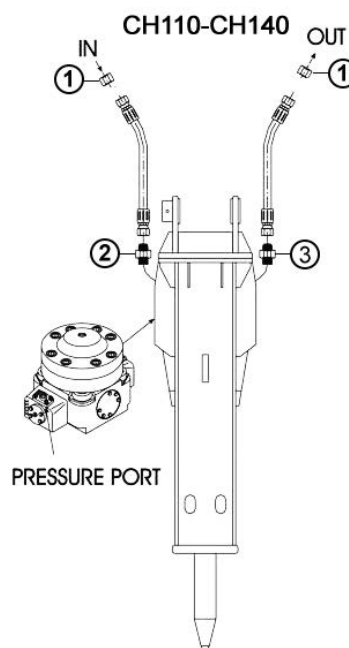


Fig. 9.1 CH110/CH120/CH130/CH140 Hoses

<b>CH110/CH120/CH130/CH140 Hose Plugs</b>			
Item	Model	Part No.	Description
1	CH110/CH120/CH130/CH140	CHE00199	Plug 16 JIC 37 Degree

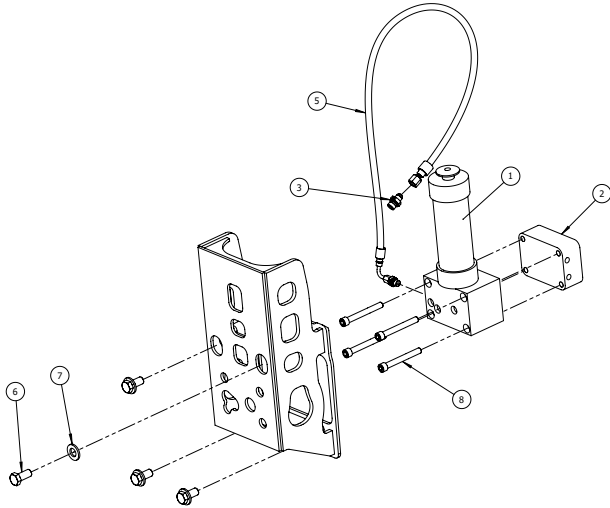
<b>CH110/CH120/CH130/CH140 Hose Adapters</b>					
Inlet Breaker Port					
Item	Model	Adapter Part No.	Flange	Inlet Adapter	Hose to Carrier
2	CH110	CHE00201	CHB1506660	-12 SAE ORB	-16 JIC
2	CH120	CHE00202	CHB3006670	-16 SAE ORB	
2	CH130				
2	CH140				

<b>CH110/CH120/CH130/CH140 Hose Adapters</b>					
Outlet Breaker Port					
Item	Model	Adapter Part No.	Flange	Outlet Adapter	Hose to Carrier
3	CH110	CHE00202	CHB3006670	-16 SAE ORB	-16 JIC
3	CH120				
3	CH130		CHB2006660	-20 SAE ORB	
3	CH140	CHE00266			

Connect Work Tools Medium Series Breaker Model CH110/CH120/CH130/CH140 Hoses

## 10.0 Mounted Breaker Lubricator

### 10.1 CH110/CH120/CH130/CH140 Mounted Breaker Lubricator

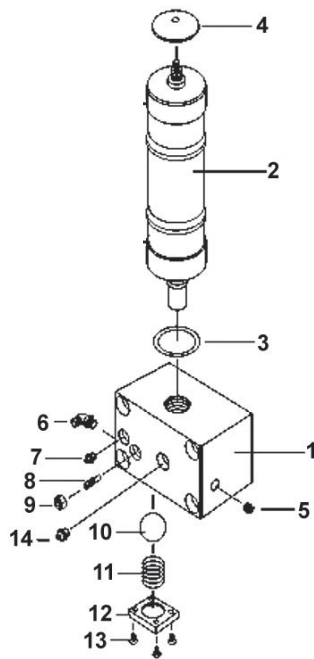


<b>CH110/CH120/CH130/CH140</b>			
<b>NO</b>	<b>PART NO.</b>	<b>PART NAME</b>	<b>QTY</b>
1	CHAGRU0500	SHAKER GREASE PUMP	1
2	CHB2003550	GREASE PUMP PLATE BML WELD-ON	1
3	CHBHSSG102	ADAPTER	2
4	CHE01091	WLDT BML LUBE GUARD	1
5	CHE01743	PLUMBING KIT BML CH120-180	1
6	CHHB1620035	HH CS M16 - 2.00 X 35	4
7	CHPW160000	WASHER FLAT M18	4
8	CHSB1217100	ADAPTER	4

#2 sold separately

Fig. 10.1 CH110/CH120/CH130/CH140 Mounted Breaker Lubricator

### 10.2 CH110/CH120/CH130/CH140 Mounted Breaker Lubricator Down Parts



<b>CH110/CH120/CH130/CH140</b>		
<b>NO</b>	<b>PART NO.</b>	<b>PART NAME</b>
	CHAGRU0500	PUMP
1	CHHLU-0300	11U-BODY
2	CHHL0101	RECHARGEABLE CARTRIDGE
3	CHHL0041	O-RING
4	CHHL0810	HANDLE
5	CHHL0920	PLUG
6	CHHL0360	ZERK
7	CHHNG18	ZERK -GREASE
8	CHHL0240	ADJUSTER
9	CHHNM1201	NUT
10	CHHL0350	BALL
11	CHHL0220	SPRING
12	CHHL0330	COVER
13	CHJBM0615	BOLT
14	CHHNG18	ZERK-GREASE

Fig. 10.2 CH110/CH120/CH130/CH140 Mounted Breaker Lubricator Down Parts

## 11.0 Hydraulic Mounted Breaker Lubricator

### 11.1 CH110/CH120/CH130/CH140 Hydraulic Mounted Breaker Lubricator

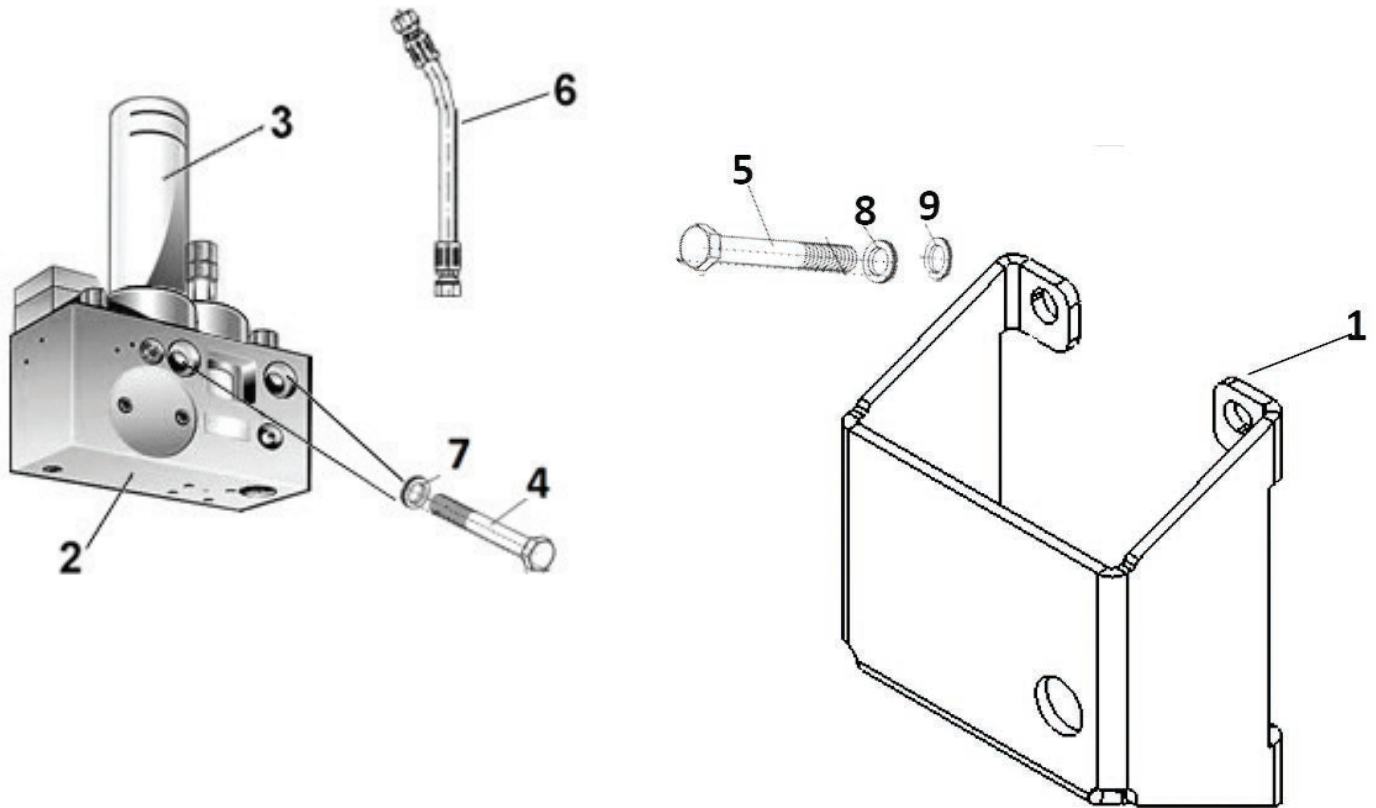


Fig. 11.1 CH110/CH120/CH130/CH140 Hydraulic Mounted Breaker Lubricator

<b>CH110/CH120/CH130/CH140 Hydraulic Mounted Lubricator</b>						
Item	QTY	Description	Model CH110	Model CH120	Model CH130	Model CH140
				<b>1</b>	<b>Kit</b>	<b>CHPHBKB520</b>
1	1	PUMP COVER	CHB6003220	CHB6003220	CHB6003220	CHB6003220
2	1	PUMP ASSY	CHHAMAX2-100	CHHAMAX2-100	CHHAMAX2-100	CHHAMAX2-100
3*	1	CARTRIDGE	CHE00933	CHE00933	CHE00933	CHE00933
4	2	HEX BOLT	CHHB1420110	CHHB1420110	CHHB1420110	CHHB1420110
5	4	HEX BOLT	CHHB1620035	CHHB1620035	CHHB1620035	CHHB1620035
6	3	HOSE (A/G PUMP)	CHB1603240	CHB1603240	CHB1603240	CHB1603240
7	2	NORD LOCK WASHER	CHNDLW1600	CHNDLW1600	CHNDLW1600	CHNDLW1600
8	4	PLAIN WASHER	CHPW160000	CHPW160000	CHPW160000	CHPW160000
9	4	SPRING WASHER	CHSW160000	CHSW160000	CHSW160000	CHSW160000

\* Not sold separately - sold by the case

## 12.0 Carrier Mounted Breaker Lubricator

### 12.1 Carrier Mounted Breaker Lubricator

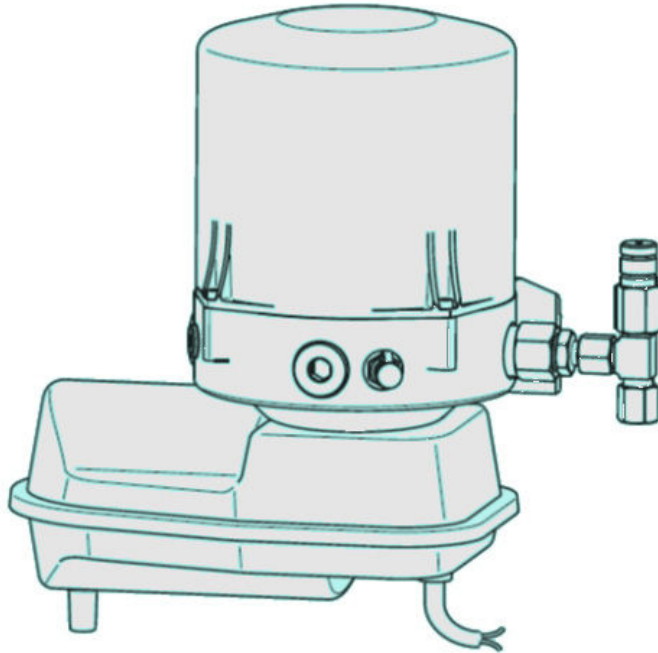


Fig. 12.1 Carrier Mounted Breaker Lubricator

<b>CH110/CH120/CH130/CH140 Carrier Mounted Lubricator</b>		
<b>Model</b>	<b>Carrier Mounted Lubricator Kit (CML)</b>	<b>Part Number</b>
CH110	Single Pump	CHE00651
CH120	Single Pump	CHE00651
CH130	Single Pump	CHE00651
CH140	Double Pump	CHE00652

Kits include hoses, fittings, relay/circuit breaker, harness, signal light and couplers



## 13.0 Quarry Wear Guard Kit

### 13.1 Quarry Wear Guard Kit

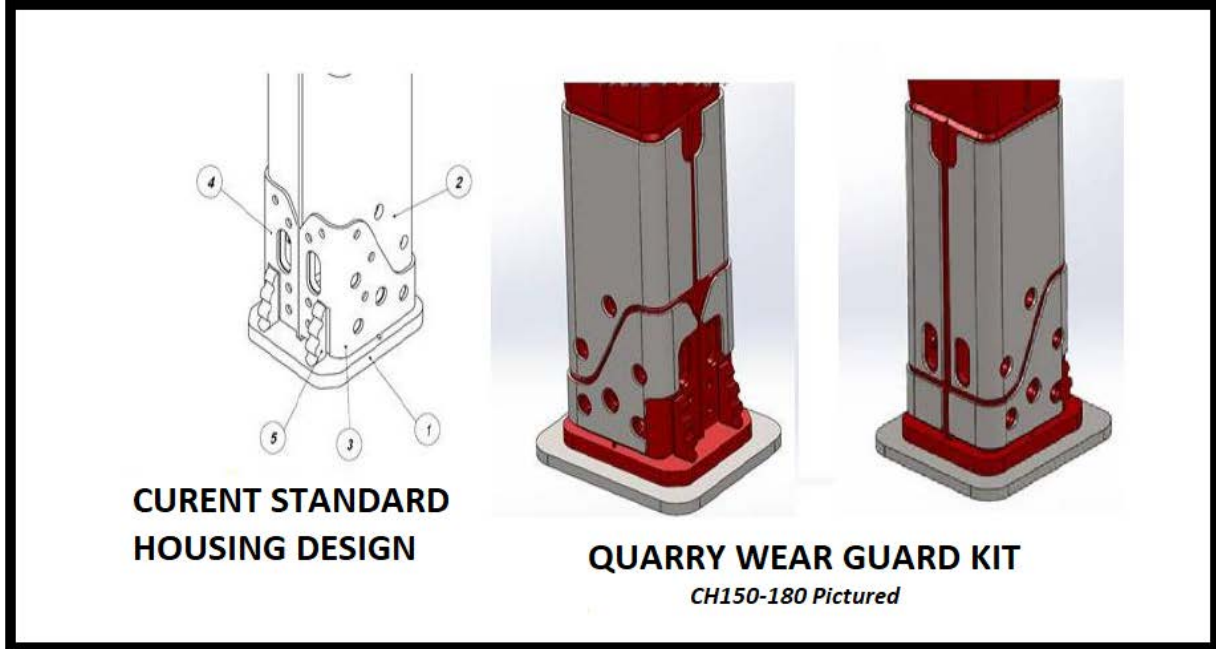


Fig. 13.1 Quarry Wear Guard Kit

<b>CH130/CH140 Quarry Wear Guard Kit</b>		
Model	Description	Part Number
CH130	Quarry Wear Guard Kit CH130	CHE01107
CH140	Quarry Wear Guard Kit CH140	CHE01120





**CONNECT**<sup>TM</sup>  
**WORK TOOLS**

---

---

**920.238.6657**

*[www.connectworktools.com](http://www.connectworktools.com)*

