



# Large Series Breakers

## Models

CH150

CH165

CH175

CH180

*(CH180 Model Pictured)*

**Parts Manual** CH-Series  Part #CHE00165

Connect Work Tools - [www.connectworktools.com](http://www.connectworktools.com) - 920.238.6657



## Contact Information



**Connect Work Tools**  
**155 Main Street**  
**Superior, WI 54880**

**E-mail: [info@connectworktools.com](mailto:info@connectworktools.com)**  
**Main Phone: 920-238-6657**  
**Fax: 715-395-3703**

Contact your Connect Work Tools Representative or the Connect Work Tools Parts Department for replacement manuals. Inquiries regarding the content of this manual must include the release date shown below.

**Information in this manual is subject to change without advance notice.**

**Table 1.1 About this manual**

Document ID No.	CHE00165
Type	Parts
Release Date	October 2021
Product Name	Hydraulic Impact Breaker
Series	CH
Applicable Models	CH150/CH165/CH175/CH180
Years of Manufacture	2016 & above



# Table of Contents



## Section

Table of Contents .....	iii
<b>1.0 CH Equipment Identification</b>	
1.1 Location of Serial Number Decal .....	1
1.2 Owner's Record of Equipment .....	1
<b>2.0 CH Decals</b>	
2.1 Standard Decals .....	2
2.2 Typical Breaker Decal Placement .....	3
<b>3.0 CH Power Cells</b>	
3.1 CH150 Power Cell .....	6
3.2 CH165 Power Cell .....	12
3.3 CH175 Power Cell .....	18
3.4 CH180 Power Cell .....	24
<b>4.0 CH Housings</b>	
4.1 CH150 Housing .....	30
4.2 CH165 Housing .....	32
4.3 CH175 Housing .....	34
4.4 CH180 Housing .....	36
<b>5.0 CH Seal Kits</b>	
5.1 CH150 Seal Kit .....	38
5.2 CH165 Seal Kit .....	40
5.3 CH175 Seal Kit .....	42
5.4 CH180 Seal Kit .....	44
<b>6.0 CH Rebuild Kits</b>	
6.1 Rebuild Kits .....	46
<b>7.0 CH Tool Bits</b>	
7.1 Tool Bits .....	47
<b>8.0 CH Tools N2 Charge Kit</b>	
8.1 Tools N2 Charge Kit .....	47
<b>9.0 CH Hoses</b>	
9.1 CH150/CH165/CH175/CH180 Hoses .....	48
<b>10.0 CH Breaker Mounted Lubricator</b>	
10.1 Breaker Mounted Lubricator .....	49
10.2 Breaker Mounted Lubricator Down Parts .....	49
<b>11.0 CH Breaker Hydraulic Mounted Lubricator</b>	
11.1 Breaker Hydraulic Mounted Lubricator .....	50
<b>12.0 CH Breaker Carrier Mounted Lubricator</b>	
12.1 Breaker Carrier Mounted Lubricator .....	51
<b>13.0 CH Quarry Wear Guard Kits</b>	
13.1 Quarry Wear Guard Kits .....	52

## Figures

<b>1.0 CH Equipment Identification</b>	
Fig.1.1 Equipment Identification Decal .....	1
<b>2.0 CH Decals</b>	
Fig.2.1 Standard Decals .....	2
Fig.2.2-1 Decal Placement .....	3
Fig.2.2-2 Decal Placement .....	3
Fig.2.2-3 Decal Placement .....	3
Fig.2.2-4 Decal Placement .....	3
Fig.2.2-5 Decal Placement .....	3
<b>3.0 CH Breakers</b>	
Fig.3.1 CH150 Breaker .....	6
Fig.3.2 CH165 Breaker .....	12
Fig.3.3 CH175 Breaker .....	18
Fig.3.4 CH180 Breaker .....	24
<b>4.0 CH Housings</b>	
Fig.4.1 CH150 Housing .....	30
Fig.4.2 CH165 Housing .....	32
Fig.4.3 CH175 Housing .....	34
Fig.4.4 CH180 Housing .....	36
<b>5.0 CH Seal Kits</b>	
Fig.5.1 CH150 Seal Kit .....	38
Fig.5.2 CH165 Seal Kit .....	40
Fig.5.3 CH175 Seal Kit .....	42
Fig.5.4 CH180 Seal Kit .....	44
<b>6.0 CH Rebuild Kits</b>	
Fig.6.1 Rebuild Kits .....	46
<b>7.0 CH Tool Bits</b>	
Fig.7.1 Tool Bits .....	47
<b>8.0 CH N<sup>2</sup> Charge Kit</b>	
Fig.8.1 CH N <sup>2</sup> Charge Kit .....	47
<b>9.0 CH Hoses</b>	
Fig.9.1 CH150/CH165/CH175/CH180 Hoses .....	48
<b>10.0 CH Breaker Mounted Lubricator</b>	
Fig.10.1 Breaker Mounted Lubricator .....	49
Fig.10.2 Breaker Mounted Lubricator Down Parts .....	49
<b>11.0 CH Breaker Hydraulic Mounted Lubricator</b>	
Fig.11.1 Breaker Hydraulic Mounted Lubricator .....	50
<b>12.0 CH Breaker Carrier Mounted Lubricator</b>	
12.1 Breaker Carrier Mounted Lubricator .....	51
<b>13.0 CH Quarry Wear Guard Kits</b>	
13.1 Quarry Wear Guard Kits .....	52

Contact your Connect Work Tools Representative or the Connect Work Tools Parts Department for replacement manuals.

Inquiries regarding the content of this manual must include the release date shown below.

Information in this manual is subject to change without advance notice.



# 1.0 Equipment Identification

## 1.1 Location of the Serial Number Decal

Models: CH150/CH165/CH175/CH180

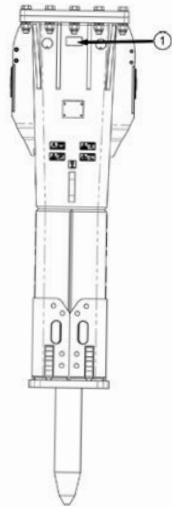


Fig. 1.1 Equipment Identification

The Serial Equipment Identification Decal is affixed to the side of the housing box. It provides the following information:

- Serial Number
- Model
- Part Number
- Weight
- Operating Pressure
- Oil Flow
- Carrier Relief Pressure
- Nitrogen

**\*\*Note: Prior to ordering parts, it's important to confirm your model and serial number**



## 1.2 Owner's Record of the Equipment

Record the Model and Serial Number from the Serial Equipment Identification Tag to the space provided below. Indicate the date in which the Connect Work Tools equipment was placed into service.

Model CH150: CH150

Model CH165: CH165

Model CH175: CH175

Model CH180: CH180

Serial Number: \_\_\_\_\_

In Service Date: \_\_\_\_\_

Your Connect Work Tools representative requires this information to better assist you with questions regarding parts, warranty, operation, maintenance, or repair.

Your equipment must be registered by your local Distributor at the time of sale.

Product Registration Date: \_\_\_\_\_

## 2.0 Decals

All decals pictured are included in decal kits (with exception of No. 10)

### 2.1 Standard Decals



1. Part Number 16-00076 - Decal Warning Dust



2. Part Number 16-00077 - Decal Warning Flying Objects



3. Part Number 16-00078 - Decal Warning Read Manual



4. Part Number 16-00079 - Decal Warning Noise



5. Part Number 16-00080 - Decal Grease Point



6. Part Number 16-00081 - Decal Warning Safe Distance



Example Shown: CH180

7. Part Number CHE00162 - Decal CH150  
 Part Number CHE00132 - Decal CH165  
 Part Number CHE00136 - Decal CH175  
 Part Number CHE00135 - Decal CH180



8. Part Number CHE00133 - Decal Connect Logo CH150/CH165/CH175/CH180



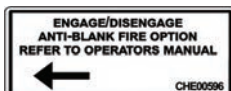
9. Part Number CHE00127 - Decal SN Plate (Not included in Decal Kit)



10. Part Number 16-00082 - Decal Lift Point



11. Part Number CHE00111 - Decal Warning Nitrogen



12. Part Number CHE00596 - Decal Warning Anti-Blank Fire

Fig. 2.1 Standard Decals



## 2.0 Decals

### 2.2 Typical Breaker Decal Placement

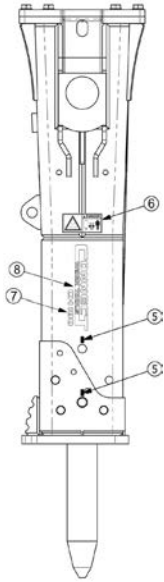


Fig. 2.2-1 Decal Placement

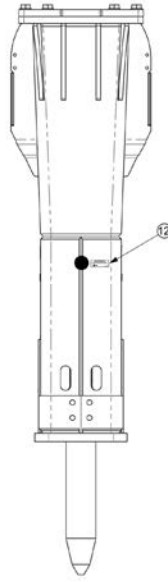


Fig. 2.2-2 Decal Placement

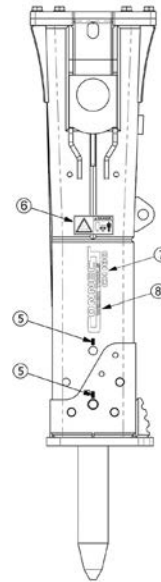


Fig. 2.2-3 Decal Placement

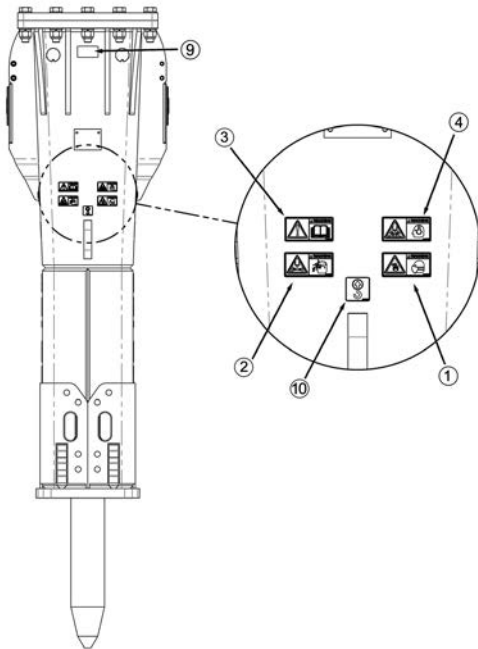


Fig. 2.2-4 Decal Placement

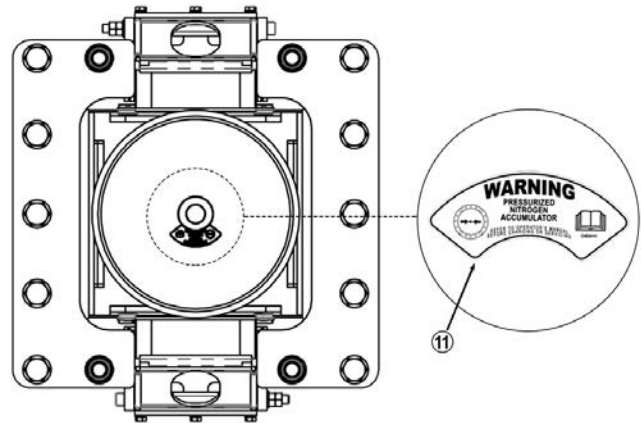


Fig. 2.2-5 Decal Placement

*All decals pictured are included in decal kits*

PART NO.	PART NAME	QTY
CHE00161	Decal Kit CH150	1
CHE00131	Decal Kit CH165	1
CHE00137	Decal Kit CH175	1
CHE00134	Decal Kit CH180	1





# Large Series Breakers

Model  
CH150

**Power Cells**

# 3.0 CH Power Cells - CH150

## 3.1 CH150 Power Cell

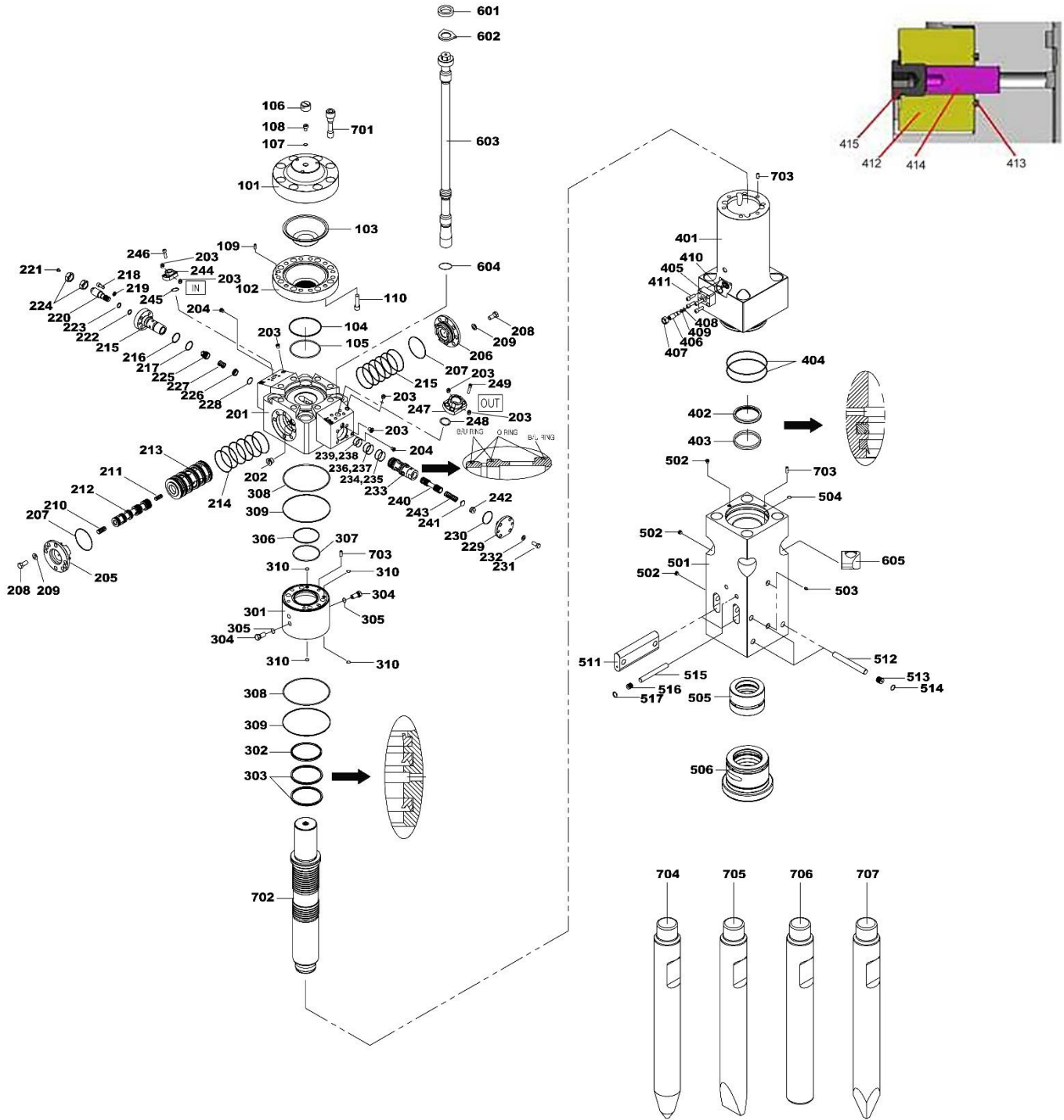


Fig. 3.1 CH150 Breaker

Connect Work Tools Large Series Breaker Model CH150

## 3.0 CH Power Cells - CH150

### 3.1 CH150 Power Cell Parts List

NO	PART NO.	PART NAME	QTY	ALTERNATE P/N
	<b>CH150</b>	<b>CH150</b>	1	
101	CHB2506020	ACC. COVER	1	
102	CHB250603A	ACC. BOTTOM	1	CHB2506030
103	CHB300704A	MEMBRANE	1	CHB3007040
104	CHB2507270	O-RING	1	
105	CHB2507280	BACK-UP RING	1	
106	CHB4007010	ACC. CAP	1	
107	CHB4007020	USIT RING	1	
108	CHB4006420	ACC. GAS BOLT	1	
109	CHB4006370	ACC. GUIDE PIN	1	
110	CHSB2215075	ACC. BOTTOM BOLT	12	
201	CHB2806110	VALVE HOUSING	1	
202	CHB2506520	SOCKET PLUG	1	
203	CHB4006910	SOCKET PLUG	6	
204	CHB4006450	SOCKET PLUG	2	
205	CHB2506150	SLEEVE COVER 1	1	
206	CHB2506240	SLEEVE COVER 2	1	
207	CHB2507120	O-RING	2	
208	CHHB1620035	HEX. BOLT	12	
209	CHCW160000	LOCK WASHER	12	
210	CHB2506250	SPOOL 1	1	
211	CHB2506160	SPOOL 2	1	
212	CHB2506170	MAIN SPOOL	1	
213	CHB2506180	SLEEVE	1	
214	CHB2507070	O-RING	6	
215	CHB6006910	NEEDLE VALVE HOUSING	1	
216	CHB4007190	O-RING	1	
217	CHB2507200	O-RING	1	
218	CHSB1620040	SOCKET BOLT	4	
219	CHNDLW1600	NORDLOCK WASHER	4	
220	CHB6006920	NEEDLE VALVE SPOOL	1	
221	CHB4006450	SOCKET PLUG	1	
222	CHB4007260	O-RING	1	

## 3.0 CH Power Cells - CH150

### 3.1 CH150 Power Cell Parts List

NO	PART NO.	PART NAME	QTY	ALTERNATE P/N
223	CHB3206940	BACKUP-RING	1	
224	CHB6006930	NUT	2	
225	CHB4006220	CHECK VALVE SPOOL	1	
226	CHB4006230	CHECK VALVE SPRING GUIDE	1	
227	CHB4006480	CHECK VALVE SPRING	1	
228	CHB4006490	LOCK RING	1	
229	CHB2506300	OPER. VALVE COVER	1	
230	CHB4007200	O-RING	1	
231	CHHB1217530	HEX BOLT	4	
232	CHCW120000	LOCK WASHER	4	
233	CHB2506260	OPER. VALVE GUIDE	1	
234	CHB4007190	O-RING	1	
235	CHB6007350	BACK-UP RING	1	
236	CHB2507200	O-RING	1	
237	CHB2507360	BACK-UP RING	1	
238	CHB2507190	O-RING	1	
239	CHB2507350	BACK-UP RING	1	
240	CHB2506270	OPER. VALVE SPOOL	1	
241	CHB2506280	OPER. VALVE SPRING GUIDE	1	
242	CHB2506440	OPER. VALVE SHIM PLATE	2	
243	CHB2506870	OPER. VALVE SPRING	1	
244	CHB3006670	FLANGE	1	
245	CHB4007050	O-RING	1	
246	CHSB1217040	SOCKET BOLT	4	
247	CHB3000660	FLANGE	1	
248	CHB4007060	O-RING	1	
249	CHSB1420040	SOCKET BOLT	4	
301	CHB2806090	SEAL HOUSING	1	
302	CHB2807120	WIPER	1	
303	CHB2807130	SEAL	2	
304	CHB2006870	AIR VENT PLUG	2	
305	CHB0407150	O-RING	2	
306	CHB2507080	O-RING	1	

## 3.0 CH Power Cells - CH150

### 3.1 CH150 Power Cell Parts List

NO	PART NO.	PART NAME	QTY	ALTERNATE P/N
307	CHB2507090	BACKUP RING	1	
308	CHB3007100	O-RING	2	
309	CHB3007110	BACKUP RING	2	
310	CHB4007310	O-RING	4	
401	CHB2806070	CYLINDER (ASO)	1	
402	CHB2807030	SEAL	1	
403	CHB2807040	WIPER	1	
404	CHB2507130	O-RING	2	
405	CHB2806300	STOP VALVE	1	
406	CHB1406770	ADJUST BOLT	1	
407	CHA3006320	ADJUST NUT	1	
408	CHB1807310	O-RING	1	
409	CHA3007160	BACKUP RING	1	
410	CHA3206550	O-RING	1	
411	CHSB1217040	SOCKET BOLT	4	
412	CHB2806350	STOP VALVE	1	
413	CHA3206550	O-RING	1	
414	CHA2036210	ASO PIN	1	
415	CHA1206780	HEX PLUG	1	
501	CHB2806020	FRONT HEAD	1	
502	CHB4006450	SOCKET PLUG	3	
503	CHB4006560	GREASE NIPPLE	2	
504	CHB4007310	O-RING	1	
505	CHB2806030	UPPER BUSHING	1	
506	CHB2806050	TOOL BUSHING	1	
507	CHB2806340	TOOL BUSHING CAP	1	
511	CHB2806040	TOOL PIN	2	
512	CFA5006050	BUSHING PIN	3	
513	CHB3006580	RUBBER PLUG	3	

## 3.0 CH Power Cells - CH150

### 3.1 CH150 Power Cell Parts List

NO	PART NO.	PART NAME	QTY	ALTERNATE P/N
514	CHB3006570	SNAP RING	3	
515	CFA3006230	UPPER BUSHING PIN	1	
516	CHB1806580	RUBBER PLUG	1	
517	CHB1806570	SNAP RING	1	
601	CHB3007030	RUBBER RING	4	
602	CHB3006110	LOCK WASHER	4	
603	CHB2806230	SIDE ROD	4	
604	CHB2507250	O-RING	4	
605	CHB2806240	SIDE ROD NUT	4	
701	CHB2506100	ACC. COVER BOLT	8	
702	CHB2806210	PISTON	1	
703	CHB4006310	GUIDE PIN	3	

**\*\*Note: For CH150 Tool Bit information, see 47\*\***





# Large Series Breakers

Model  
CH165

**Power Cells**

# 3.0 CH Power Cells - CH165

## 3.2 CH165 Power Cell

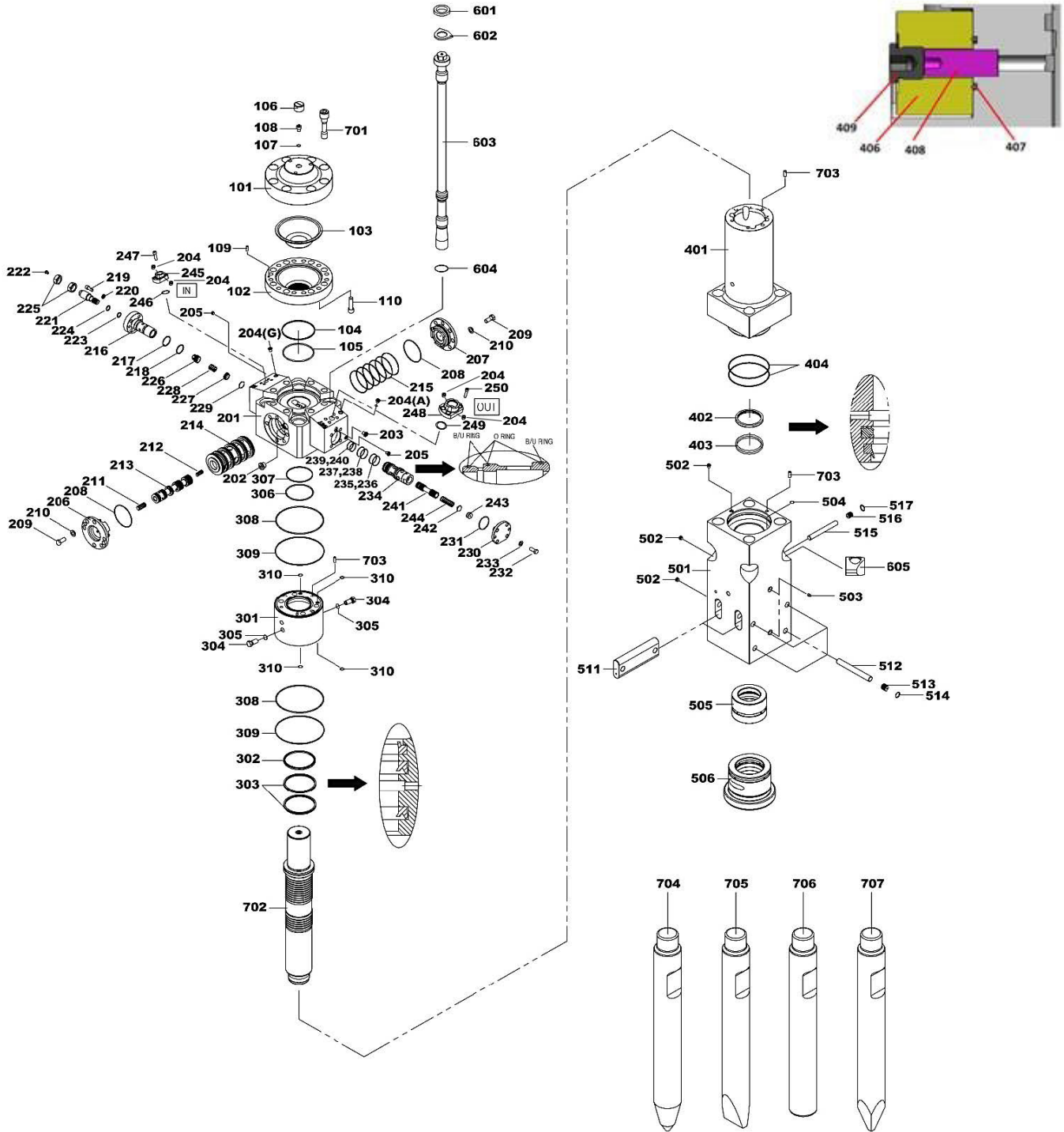


Fig. 3.2 CH165 Breaker

Connect Work Tools Large Series Breaker Model CH165

## 3.0 CH Power Cells - CH165

### 3.2 CH165 Power Cell Parts List

NO	PART NO.	PART NAME	QTY	ALTERNATE P/N
	<b>CH165</b>	<b>CH165</b>	1	
101	CHB3206020	ACC. COVER	1	B3206020
102	CHB300603A	ACC. BOTTOM	1	CHB3006030/571526
103	CHB300704A	MEMBRANE	1	570979
104	CHB4007270	O-RING	1	571699
105	CHB4007280	BACKUP RING	1	571706
106	CHB4007010	ACC. CAP	1	102262
107	CHB4007020	USIT RING	1	676201
108	CHB4006420	ACC. GAS BOLT	1	676161
109	CHB4006370	ACC. GUIDE PIN	1	676183
110	CHSB2215075	ACC. BOTTOM BOLT	12	570980
201	CHB3206900	VALVE HOUSING	1	B3206900
202	CHB4006520	SOCKET PLUG	1	571708
203	CHB4006530	SOCKET PLUG	1	676158
204	CHB4006910	SOCKET PLUG	6	102241
205	CHB4006450	SOCKET PLUG	2	676159
206	CHB4006150	SLEEVE COVER 1	1	571529
207	CHB4006240	SLEEVE COVER 2.	1	571530
208	CHB4007120	O-RING	2	571696
209	CHHB2015045	HEX. BOLT	12	90518
210	CHCW200000	LOCK WASHER	12	571674
211	CHB4006250	SPOOL 1	1	571537
212	CHB4006160	SPOOL 2	1	571531
213	CHB3006170	MAIN SPOOL	1	B3006170
214	CHB3006750	SLEEVE	1	B3006750
215	CHB4007070	O-RING	6	571693
216	CHB6006910	NEEDLE VALVE HOUSING	1	B6006910
217	CHB4007190	O-RING	1	100109
218	CHB2507200	O-RING	1	B2507200
219	CHSB1620040	SOCKET BOLT	4	91100
220	CHNDLW1600	NORDLOCK WASHER	4	NLW16000

## 3.0 CH Power Cells - CH165

### 3.2 CH165 Power Cell Parts List

NO	PART NO.	PART NAME	QTY	ALTERNATE P/N
221	CHB6006920	NEEDLE VALVE SPOOL	1	B6006920
222	CHB4006450	SOCKET PLUG	1	676159
223	CHB4007260	O-RING	1	676200
224	CHB3206940	BACKUP-RING	1	B3206940
225	CHB6006930	NUT	2	B6006930
226	CHB4006220	CHECK VALVE SPOOL	1	571535
227	CHB4006230	CHECK VALVE SPRING GUIDE	1	571536
228	CHB4006480	CHECK VALVE SPRING	1	571672
229	CHB4006490	LOCK RING	1	571673
230	CHB3006790	OPER. VALVE COVER	1	B3006790
231	CHB4007240	O-RING	1	676248
232	CHHB1620040	HEX BOLT	4	900017
233	CHCW160000	LOCK WASHER	4	571055
234	CHB3006770	OPER. VALVE GUIDE	1	B3006770
235	CHB4007220	O-RING	1	100107
236	CHB6007370	BACK-UP RING	1	571705
237	CHB4007200	O-RING	1	676203
238	CHB6007360	BACK-UP RING	1	676205
239	CHB4007190	O-RING	1	101788
240	CHB6007350	BACK-UP RING	1	100109
241	CHB3006780	OPER. VALVE SPOOL	1	B3006780
242	CHB2506280	OPER. VALVE SPRING GUIDE	1	B2506280
243	CHB2506440	OPER. VALVE SHIM PLATE	2	B2506290
244	CHB2506870	OPER. VALVE SPRING	1	B2506870
245	CHB3006670	FLANGE	1	572705
246	CHB4007050	O-RING	1	677977
247	CHSB1217040	SOCKET BOLT	4	90564
248	CHB3006660	FLANGE	1	572704
249	CHB4007060	O-RING	1	659275
250	CHSB1420040	SOCKET BOLT	4	103002

## 3.0 CH Power Cells - CH165

### 3.2 CH165 Power Cell Parts List

NO	PART NO.	PART NAME	QTY	ALTERNATE P/N
301	CHB3206040	SEAL HOUSING	1	B3206040
302	CHB3207120	WIPER	1	B3207120
303	CHB3207130	SEAL	2	B3207130
304	CHB2006870	AIR VENT PLUG	1	B2006870
305	CHB0407150	O-RING	2	676209
306	CHB3007080	O-RING	1	571694
307	CHB3007090	BACKUP RING	1	571703
308	CHB6007190	O-RING	2	572993
309	CHB3207110	BACKUP RING	2	B3207110
310	CHB4007310	O-RING	4	571004
401	CHB3206950	CYLINDER	1	B3206950
402	CHB3207160	SEAL	1	B3207160
403	CHB3207170	WIPER	1	B3207170
404	CHB3007100	O-RING	2	571695
406	CHB2806350	STOP VALVE	1	
407	CHA3206550	O-RING	1	
408	CHA2036210	ASO PIN	1	
409	CHA1206780	HEX PLUG	1	
501	CHB3206090	FRONT HEAD	1	B3206090
502	CHB4006450	SOCKET PLUG	3	676159
503	CHB4006560	GREASE NIPPLE	2	816675
504	CHB4007310	O-RING	1	571004
505	CHB3206080	UPPER BUSHING	1	B3206080
506	CHB3206840	TOOL BUSHING	1	B3206840-03

## 3.0 CH Power Cells - CH165

### 3.2 CH165 Power Cell Parts List

NO	PART NO.	PART NAME	QTY	ALTERNATE P/N
511	CHB3206340	TOOL PIN	2	B3206340-01
512	CHB3006350	BUSHING PIN	4	571684
513	CHB3006580	RUBBER PLUG	4	102412
514	CHB3006570	SNAP RING	4	570072
515	CFA3006230	UPPER BUSHING PIN	1	B3206360
516	CHB1806580	RUBBER PLUG	1	571800
517	CHB1806570	SNAP RING	1	571801
601	CHB3007030	RUBBER RING	4	B3007030
602	CHB3006110	LOCK WASHER	4	B3006110
603	CHB3206130	SIDE ROD	4	B3206130
604	CHB3007250	O-RING	4	571698
605	CHB3206140	SIDE ROD NUT	4	B3206140
701	CHB4006100	ACC. COVER BOLT	8	B4006100
702	CHB3206050	PISTON	1	B3206050
703	CHB4006310	GUIDE PIN	3	B4006310

**\*\*Note: For CH165 Tool Bit information, see 47\*\***



# Large Series Breakers

Model  
CH175

**Power Cells**

# 3.0 CH Power Cells - CH175

## 3.3 CH175 Power Cell

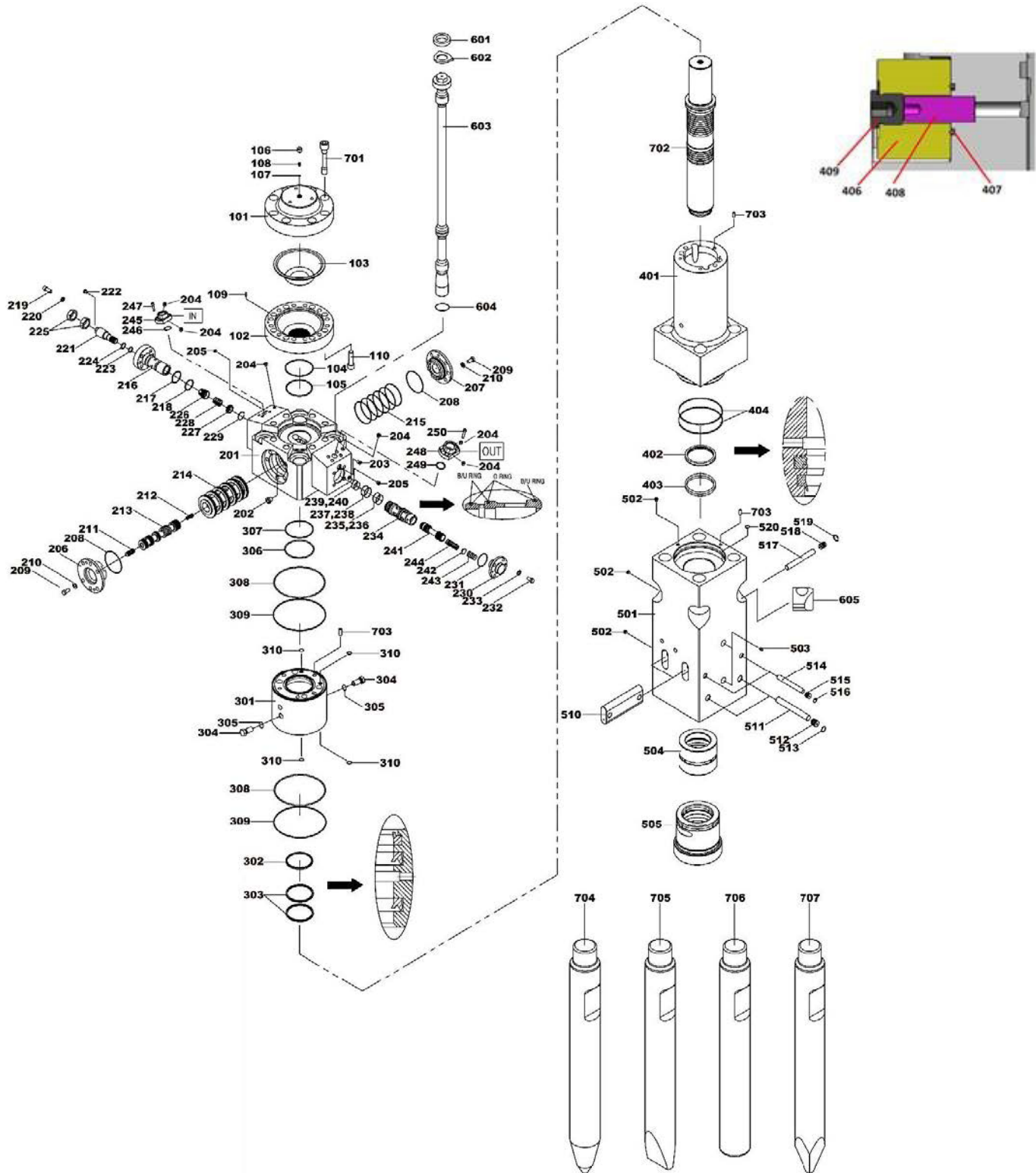


Fig. 3.3 CH175 Breaker

Connect Work Tools Large Series Breaker Model CH175



## 3.0 CH Power Cells - CH175

### 3.3 CH175 Power Cell Parts List

NO	PART NO.	PART NAME	QTY	ALTERNATE P/N
	<b>CH175</b>	<b>CH175</b>	1	
101	CHB5006020	ACC. COVER	1	5006020
102	CHB400603A	ACC. BOTTOM	1	CHB4006030/573126
103	CHB400704A	MEMBRANE	1	573141
104	CHB4007270	O-RING	1	571699
105	CHB4007280	BACKUP RING	1	571706
106	CHB4007010	ACC. CAP	1	102262
107	CHB4007020	USIT-RING	1	676201
108	CHB4006420	ACC. GAS BOLT	1	676161
109	CHB4006370	ACC. GUIDE PIN	1	676183
110	CHSB2420090	ACC. BOTTOM BOLT	12	572982
201	CHB5006010	V/V HOUSING	1	N/A
202	CHB4006520	SOCKET PLUG	1	571708
203	CHB4006530	SOCKET PLUG	1	B4006530
204	CHB4006910	SOCKET PLUG	6	102241
205	CHB4006450	SOCKET PLUG	2	676158
206	CHB4006150	SLEEVE COVER 1	1	571529
207	CHB4006240	SLEEVE COVER 2	1	571530
208	CHB4007120	O-RING	2	571696
209	CHHB2015045	HEX BOLT	12	90518
210	CHCW200000	LOCK WASHER	12	571674
211	CHB4006250	SPOOL 1	1	571537
212	CHB4006160	SPOOL 2	1	571531
213	CHB4006170	MAIN SPOOL	1	571532
214	CHB4006180	SLEEVE	1	571533
215	CHB4007070	O-RING	6	571693
216	CHB6006910	NEEDLE VALVE HOUSING	1	B6006910
217	CHB4007190	O-RING	1	4007190
218	CHB2507200	O-RING	1	2507200
219	CHSB1620040	SOCKET BOLT	4	SB1620040
220	CHNDLW1600	NORDLOCK WASHER	4	NDLW1600

## 3.0 CH Power Cells - CH175

### 3.3 CH175 Power Cell Parts List

NO	PART NO.	PART NAME	QTY	ALTERNATE P/N
221	CHB6006920	NEEDLE VALVE SPOOL	1	B6006920
222	CHB4006450	SOCKET PLUG	1	676159
223	CHB4007260	O-RING	1	676200
224	CHB3206940	BACKUP-RING	1	B3206940
225	CHB6006930	NUT	2	B6006930
226	CHB4006220	CHECK VALVE SPOOL	1	571535
227	CHB4006230	CHECK VALVE SPRING GUIDE	1	571536
228	CHB4006480	CHECK VALVE SPRING	1	571055
229	CHB4006490	LOCK RING	1	571673
230	CHB4006300	OPER. VALVE COVER	1	571671
231	CHB4007240	O-RING	1	676248
232	CHHB1620040	HEX BOLT	4	900017
233	CHCW160000	LOCK WASHER	4	571055
234	CHB4006260	OPER. VALVE GUIDE	1	571538
235	CHB4007220	O-RING	1	100107
236	CHB6007370	BACK-UP RING	1	571705
237	CHB4007200	O-RING	1	676203
238	CHB6007360	BACK-UP RING	1	676205
239	CHB4007190	O-RING	1	100109
240	CHB6007350	BACK-UP RING	1	101788
241	CHB4006270	OPER. VALVE SPOOL	1	571539
242	CHB4006280	OPER. VALVE SPRING GUIDE	1	571540
243	CHB4006440	OPER. VALVE SHIM PLATE	2	571670
244	CHB4006890	OPER. VALVE SPRING	1	B4006890
245	CHB3006670	FLANGE	1	572705
246	CHB4007050	O-RING	1	677977
247	CHSB1217040	SOCKET BOLT	4	90564
248	CHB3006660	FLANGE	1	572704
249	CHB4007060	O-RING	1	659275
250	CHSB1420040	SOCKET BOLT	4	103002

## 3.0 CH Power Cells - CH175

### 3.3 CH175 Power Cell Parts List

NO	PART NO.	PART NAME	QTY	ALTERNATE P/N
301	CHB5006040	SEAL HOUSING	1	B5006040
302	CHB5007140	WIPER	1	B5007140
303	CHB5007150	SEAL	2	B5007150
304	CHB2006870	AIR VENT PLUG	2	B2006870
305	CHB0407150	O-RING	2	B0407150
306	CHB4007080	O-RING	1	B0400780
307	CHB4007090	BACKUP RING	1	573142
308	CHB4007350	O-RING	2	572360
309	CHB4007110	BACKUP RING	2	573144
310	CHB4007310	O-RING	4	573143
401	CHB5006510	CYLINDER	1	B5006430
402	CHB4007160	SEAL	1	B4007160
403	CHB4007170	WIPER	1	573146
404	CHB4007130	O-RING	2	573145
406	CHB2806350	STOP VALVE	1	
407	CHA3206550	O-RING	1	
408	CHA2036210	ASO PIN	1	
409	CHA1206780	HEX PLUG	1	
501	CHB5006450	FRONT HEAD	1	B5006090-01
502	CHB4006450	SOCKET PLUG	3	B4006450
503	CHB4006560	GREASE NIPPLE	2	816675
504	CHB5006080	UPPER BUSHING	1	B5006080
505	CHB5006360	TOOL BUSHING	1	B5006360

## 3.0 CH Power Cells - CH175

### 3.3 CH175 Power Cell Parts List

NO	PART NO.	PART NAME	QTY	ALTERNATE P/N
510	CHB5006340	TOOL PIN	2	B5006340-02
511	CHB4006350	BUSHING PIN	2	573139
512	CHB4006580	RUBBER PLUG	2	573021
513	CHB4006570	SNAP RING	2	572997
514	CHB5006410	BUSHING PIN	2	B5006410
515	CHB3006580	RUBBER PLUG	2	102412
516	CHB3006570	SNAP RING	2	570072
517	CHB5006420	UPPER BUSHING PIN	1	B5006420
518	CHB1806580	RUBBER PLUG	1	571800
519	CHB1806570	SNAP RING	1	571801
520	CHB4007310	O-RING	1	B4007310
601	CHB4007030	RUBBER RING	4	572983
602	CHB5006110	LOCK WASHER	4	B5006110
603	CHB5006130	SIDE ROD	4	B5006130
604	CHB5007250	O-RING	4	B5007250
605	CHB5006140	SIDE ROD NUT	4	B5006140
701	CHB4006100	ACC. COVER BOLT	8	572972
702	CHB5006050	PISTON	1	B5006050
703	CHB4006310	GUIDE PIN	3	102545

**\*\*Note: For CH175 Tool Bit information, see 47\*\***



# Large Series Breakers

Model  
CH180

**Power Cells**



## 3.0 CH Power Cells - CH180

### 3.4 CH180 Power Cell Parts List

NO	PART NO.	PART NAME	QTY	ALTERNATE P/N
	<b>CH180</b>	<b>CH180</b>	1	
101	CHB6006020	ACC. COVER	1	572965
102	CHB600603A	ACC. BOTTOM	1	CHB6006030/572966
103	CHB600704A	MEMBRANE	1	572984
104	CHB6007280	O-RING	1	572995
105	CHB6007100	BACKUP RING	1	572994
106	CHB4007010	ACC. CAP	1	102262
107	CHB4007020	USIT RING	1	676201
108	CHB4006420	ACC. GAS BOLT	1	676161
109	CHB4006370	ACC. GUIDE PIN	1	676183
110	CHSB2420090	ACC. BOTTOM BOLT	12	572982
201	CHB6006900	VALVE HOUSING	1	B6006900
202	CHB4006520	SOCKET PLUG	1	571708
203	CHB4006530	SOCKET PLUG	1	676159
204	CHB4006910	SOCKET PLUG	6	676158
205	CHB4006450	SOCKET PLUG	1	676159
206	CHB6006150	SLEEVE COVER 1	1	572976
207	CHB6006240	SLEEVE COVER 2	1	573038
208	CHB6007080	O-RING	2	572989
209	CHHB2015045	HEX BOLT	12	90518
210	CHCW200000	LOCK WASHER	12	571674
211	CHB4006250	SPOOL 1	1	571573
212	CHB4006160	SPOOL 2	1	571531
213	CHB6006170	MAIN SPOOL	1	572977
214	CHB6006180	SLEEVE	1	572978
215	CHB6007320	O-RING	6	572998
216	CHB6006910	NEEDLE VALVE HOUSING	1	B6006910
217	CHB4007190	O-RING	1	100109
218	CHB2507200	O-RING	1	676271
219	CHSB1620040	SOCKET BOLT	4	679037
220	CHNDLW1600	NORDLOCK WASHER	4	90597

## 3.0 CH Power Cells - CH180

### 3.4 CH180 Power Cell Parts List

NO	PART NO.	PART NAME	QTY	ALTERNATE P/N
221	CHB6006920	NEEDLE VALVE SPOOL	1	B6006920
222	CHB4006450	SOCKET PLUG	1	676159
223	CHB4007260	O-RING	1	676200
224	CHB3206940	BACKUP-RING	1	B3206940
225	CHB6006930	NUT	2	B6006930
226	CHB4006220	CHECK VALVE SPOOL	1	571535
227	CHB4006230	CHECK VALVE SPRING GUIDE	1	571536
228	CHB4006480	CHECK VALVE SPRING	1	572672
229	CHB4006490	LOCK RING	1	575673
230	CHB4006300	OPER. VALVE COVER	1	575671
231	CHB4007240	O-RING	1	676248
232	CHHB1620040	HEX BOLT	4	900017
233	CHCW160000	LOCK WASHER	4	575055
234	CHB4006260	OPER. VALVE GUIDE	1	575538
235	CHB4007220	O-RING	1	100107
236	CHB6007370	BACKUP-RING	1	571705
237	CHB4007200	O-RING	1	676203
238	CHB6007360	BACKUP-RING	1	676205
239	CHB4007190	O-RING	1	100109
240	CHB6007350	BACKUP RING	1	101788
241	CHB4006270	OPER. VALVE SPOOL	1	571539
242	CHB4006280	OPER. VALVE SPRING GUIDE	1	571540
243	CHB4006440	OPER. VALVE SHIM PLATE	2	575670
244	CHB4006890	OPER. VALVE SPRING	1	B4006890
245	CHB500522U	FLANGE	1	575704
246	CHB4007060	O-RING	1	659275
247	CHSB1420040	SOCKET BOLT	4	103002
248	CHB600522U	FLANGE	1	572839
249	CHB6007330	O-RING	1	667224
250	CHSB1620055	SOCKET BOLT	4	679037



## 3.0 CH Power Cells - CH180

### 3.4 CH180 Power Cell Parts List

NO	PART NO.	PART NAME	QTY	ALTERNATE P/N
301	CHB6006040	SEAL HOUSING	1	572967
302	CHB6007140	WIPER	1	572703
303	CHB6007150	SEAL	2	572702
304	CHB2006870	AIR VENT PLUG	2	679050
305	CHB0407150	O-RING	2	676209
306	CHB6007090	O-RING	1	572511
307	CHB6007100	BACKUP-RING	1	572994
308	CHB6007110	O-RING	2	572991
309	CHB6007120	BACKUP-RING	2	572996
310	CHB4007310	O-RING	2	572995
311	CHB7507290	O-RING	2	B7507290
401	CHB6006640	CYLINDER	1	573828
402	CHB6007380	SEAL	1	573825
403	CHB6007390	WIPER	1	573824
404	CHB6007130	O-RING	2	572992
406	CHB2806350	STOP VALVE	1	
407	CHA3206550	O-RING	1	
408	CHA2036210	ASO PIN	1	
409	CHA1206780	HEX PLUG	1	
501	CHB6006090	FRONT HEAD	1	572971
502	CHB4006450	SOCKET PLUG	3	676159
503	CHB4006560	GREASE NIPPLE	2	816675
504	CHB7507290	O-RING	1	572991
505	CHB6006080	UPPER BUSHING	1	572970

## 3.0 CH Power Cells - CH180

### 3.4 CH180 Power Cell Parts List

NO	PART NO.	PART NAME	QTY	ALTERNATE P/N
506	CHB6006360	TOOL BUSHING	1	572981
511	CHB6006340	TOOL PIN	2	572979
512	CHB6006350	BUSHING PIN	4	572980
513	CHB4006580	RUBBER PLUG	4	573021
514	CHB4006570	SNAP RING	4	572997
515	CHB6006630	UPPER BUSHING PIN	1	573022
516	CHB1806580	RUBBER PLUG	1	571800
517	CHB1806570	SNAP RING	1	571801
601	CHB4007030	RUBBER RING	4	572983
602	CHB4006110	LOCK WASHER	4	572973
603	CHB6006130	SIDE ROD	4	572974
604	CHB6006140	SIDE ROD NUT	4	572975
605	CHB4007250	O-RING	4	573020
701	CHB4006100	ACC. COVER BOLT	8	572972
702	CHB6006050	PISTON	1	572968
703	CHB4006310	GUIDE PIN	3	102545

**\*\*Note: For CH180 Tool Bit information, see 47\*\***



# Large Series Breakers

## Models

CH150

CH165

CH175

CH180

# Housings

## 4.0 Housings - CH150

### 4.1 CH150 Housing

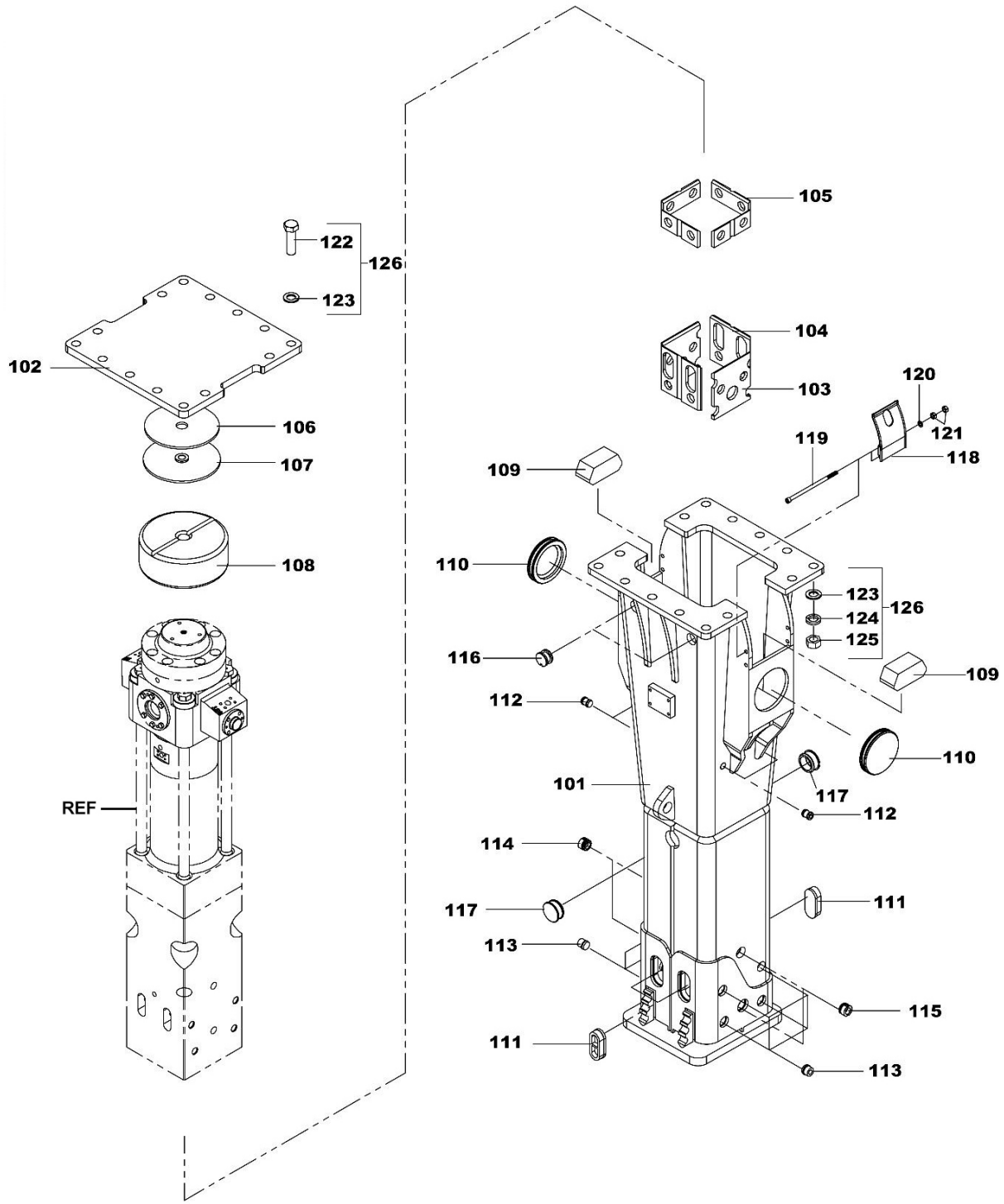


Fig. 4.1 CH150 Housing

Connect Work Tools Large Series Breaker Model CH150 Housing

## 4.0 Housings - CH150

### 4.1 CH150 Housing Parts List

NO	PART NO.	PART NAME	QTY	ALTERNATE P/N
101	CHB2802100	HOUSING WELD ASSY	1	
102	CHE00102	MOUNTING PLATE	1	
103	CHB2802120	WEAR PLATE	2	
104	CHB2802130	WEAR PLATE	2	
105	CHB2802140	WEAR PLATE	4	
106	CHB2500060	TOP WEAR PLATE	1	
107	CHB2500070	TOP PLATE ASSY	1	
108	CHB2500080	TOP BUFFER	1	
109	CHB2500090	SIDE BUFFER	2	
110	CHB2500100	RUBBER	2	
111	CHB3000110	RUBBER	4	
112	CHB3000140	RUBBER	4	
113	CHB4000120	RUBBER	8	
114	CHB3200040	RUBBER	2	
115	CHB3200050	RUBBER	2	
116	CHB400W270	RUBBER	2	
117	CHB1601460	RUBBER	2	
118	CHB2802150	PORT COVER	2	
119	CHSB1420280	SOCKET BOLT	4	
120	CHPW140000	PLAIN WASHER	4	
121	CHHN142000	HEX. NUT	8	
122	CHHB3035130	HEX. BOLT	14	
123	CHPW300000	PLAIN WASHER	28	
124	CHSW300000	SPRING WASHER	14	
125	CHNN303500	NYLON LOCK NUT	14	
126	CHD030BTPBK	MOUNTING BOLT KIT (INCLUDES 122/123/124/125)	1	

## 4.0 Housings - CH165

### 4.2 CH165 Housing

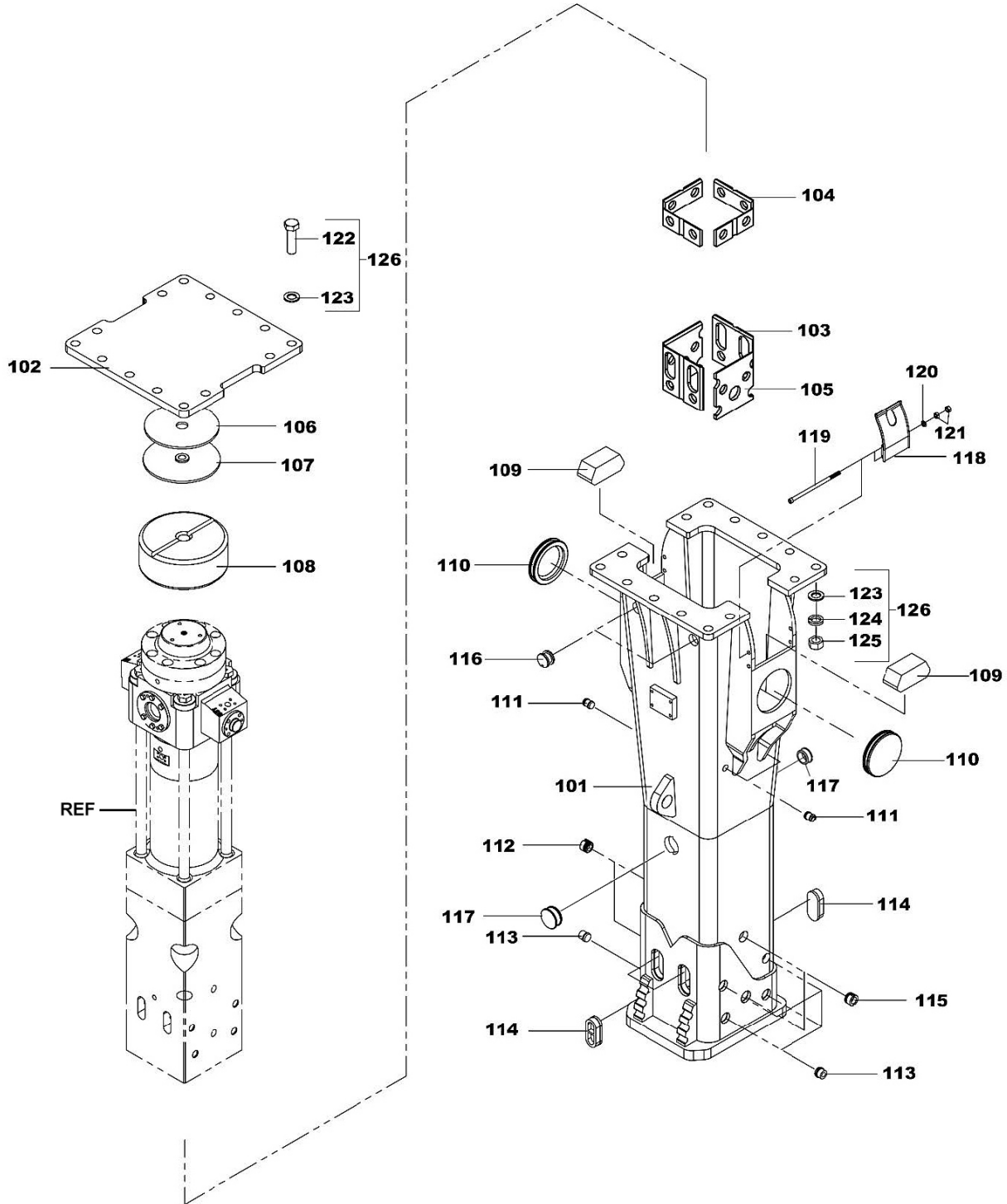


Fig. 4.2 CH165 Housing

Connect Work Tools Large Series Breaker Model CH165 Housing

## 4.0 Housings - CH165

### 4.2 CH165 Housing Parts List

NO	PART NO.	PART NAME	QTY	ALTERNATE P/N
101	CHB3200070	HOUSING WELD ASSY	1	
102	CHE00105	MOUNTING PLATE	1	576590
103	CHB3200060	WEAR PLATE	2	B3200060
104	CHB300A030	WEAR PLATE	4	B300A030
105	CHB3200020	WEAR PLATE	2	B3200020
106	CHB4000060	TOP WEAR PLATE	1	571511
107	CHB4000070	TOP PLATE ASSY	1	571510
108	CHB3200030	TOP BUFFER	1	B3200030
109	CHB4000090	SIDE BUFFER	2	571515
110	CHB4000100	RUBBER	2	B4000100
111	CHB3000140	RUBBER	4	570998
112	CHB3200050	RUBBER	2	B3200050
113	CHB4000120	RUBBER	8	571522
114	CHB3000110	RUBBER	4	B3000110
115	CHB3200040	RUBBER	2	B3200040
116	CHB400W270	RUBBER	2	B400W270
117	CHB1601460	RUBBER	2	
118	CHB5000150	PORT COVER	2	B5000150
119	CHSB1420300	SOCKET BOLT	4	575465
120	CHPW140000	PLAIN WASHER	4	575257
121	CHHN142000	HEX. NUT	8	607264
122	CHHB3640140	HEX. BOLT	14	573167
123	CHPW360000	PLAIN WASHER	28	109291
124	CHSW360000	SPRING WASHER	14	573028
125	CHNN364000	NYLON LOCK NUT	14	90519
126	CHD035BTPBK	MOUNTING BOLT KIT (INCLUDES 122/123/124/125)	1	

## 4.0 Housings - CH175

### 4.3 CH175 Housing

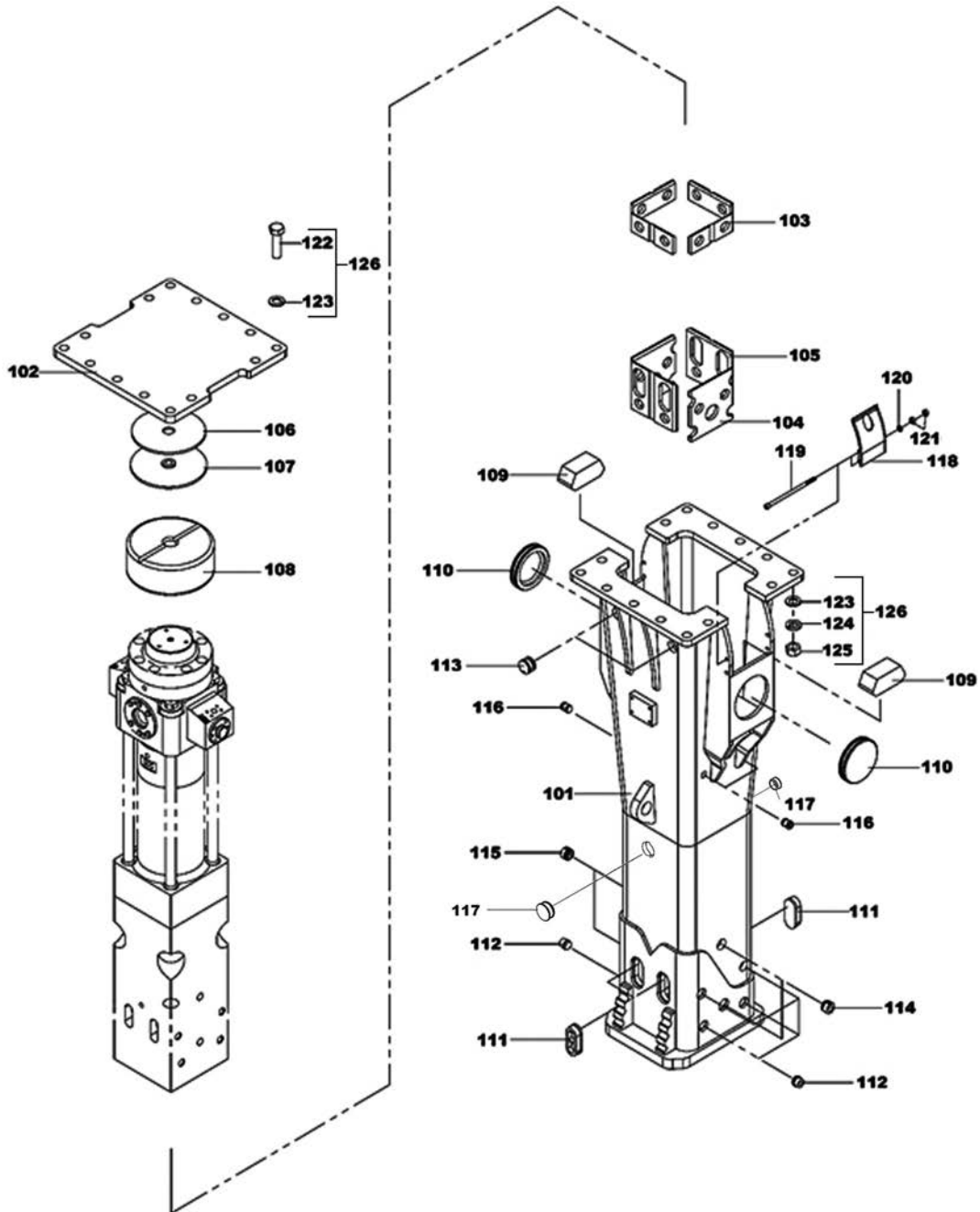


Fig. 4.3 CH175 Housing

Connect Work Tools Large Series Breaker Model CH175 Housing



## 4.0 Housings - CH175

### 4.3 CH175 Housing Parts List

NO	PART NO.	PART NAME	QTY	ALTERNATE P/N
101	CHB5000100	HOUSING WELD ASSY	1	
102	CHE00105	MOUNTING PLATE	1	576790
103	CHB300A030	WEAR PLATE	4	B300A030
104	CHB5000030	WEAR PLATE	2	B5000030
105	CHB5000070	WEAR PLATE	2	B5000040-02
106	CHB4000060	TOP WEAR PLATE	1	571511
107	CHB4000070	TOP PLATE ASSY	1	571510
108	CHB3200030	TOP BUFFER	1	B3200030
109	CHB4000090	SIDE BUFFER	2	571515
110	CHB4000100	RUBBER	2	B4000100
111	CHB4000110	RUBBER	4	573159
112	CHB4000120	RUBBER	8	571522
113	CHB400W270	RUBBER	2	B400W270
114	CHB3200040	RUBBER	2	B3200040
115	CHB3200050	RUBBER	2	B3200050
116	CHB4000140	RUBBER	4	573150
117	CHB1601460	RUBBER	2	
118	CHB5000150	PORT COVER	2	B5000150
119	CHSB1420320	SOCKET BOLT	4	575258
120	CHPW140000	PLAIN WASHER	4	575257
121	CHHN142000	HEX. NUT	4	607264
122	CHHB3640160	HEX. BOLT	14	573167
123	CHPW360000	PLAIN WASHER	28	573029
124	CHSW360000	SPRING WASHER	14	573028
125	CHNN364000	NYLON LOCK NUT	14	90519
126	CHD055BTPBK	MOUNTING BOLT KIT (INCLUDES 122/123/124/125)	1	

## 4.0 Housings - CH180

### 4.4 CH180 Housing

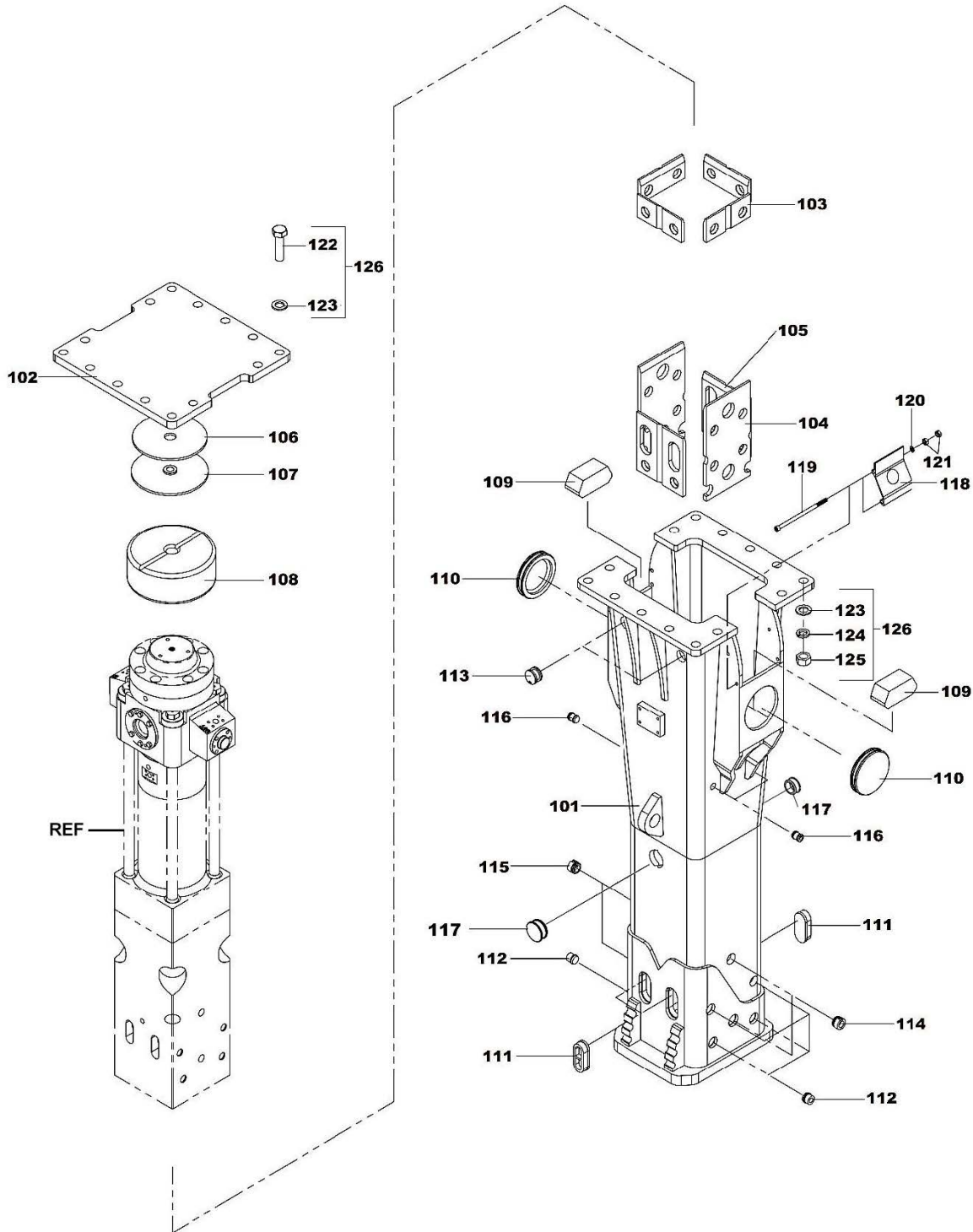


Fig. 4.4 CH180 Housing

## 4.0 Housings - CH180

### 4.4 CH180 Housing Parts List

NO	PART NO.	PART NAME	QTY	ALTERNATE P/N
101	CHB5000101	HOUSING WELD ASSY	1	
102	CHE00106	MOUNTING PLATE	1	B6000020
103	CHB6002020	WEAR PLATE	4	B6002020
104	CHB6002030	WEAR PLATE	2	B6002030
105	CHB6002040	WEAR PLATE	2	B6002040
106	CHB4000060	TOP WEAR PLATE	1	571511
107	CHB4000070	TOP PLATE ASSY	1	571510
108	CHB6000080	TOP BUFFER	1	572950
109	CHB6000090	SIDE BUFFER	2	572954
110	CHB4000100	RUBBER	2	B4000100
111	CHB4000110	RUBBER	4	572957
112	CHB4000120	RUBBER	8	572958
113	CHB400W270	RUBBER	2	B400W270
114	CHB3200040	RUBBER	2	575360
115	CHB3200050	RUBBER	2	B3200050
116	CHB6000140	RUBBER	4	572960
117	CHB1601460	RUBBER	2	
118	CHB6000150	PORT COVER	2	572955
119	CHSB1420350	SOCKET BOLT	4	SB1420350
120	CHPW140000	PLAIN WASHER	4	575257
121	CHHN142000	HEX. NUT	8	607264
122	CHHB3640170	HEX. BOLT	14	575464
123	CHPW360000	PLAIN WASHER	28	573029
124	CHSW360000	SPRING WASHER	14	573028
125	CHNN364000	NYLON LOCK NUT	14	90519
126	CHD055BTPBK	MOUNTING BOLT KIT (INCLUDES 122/123/124/125)	1	

## 5.0 Seal Kits

### 5.1 CH150 Seal Kit

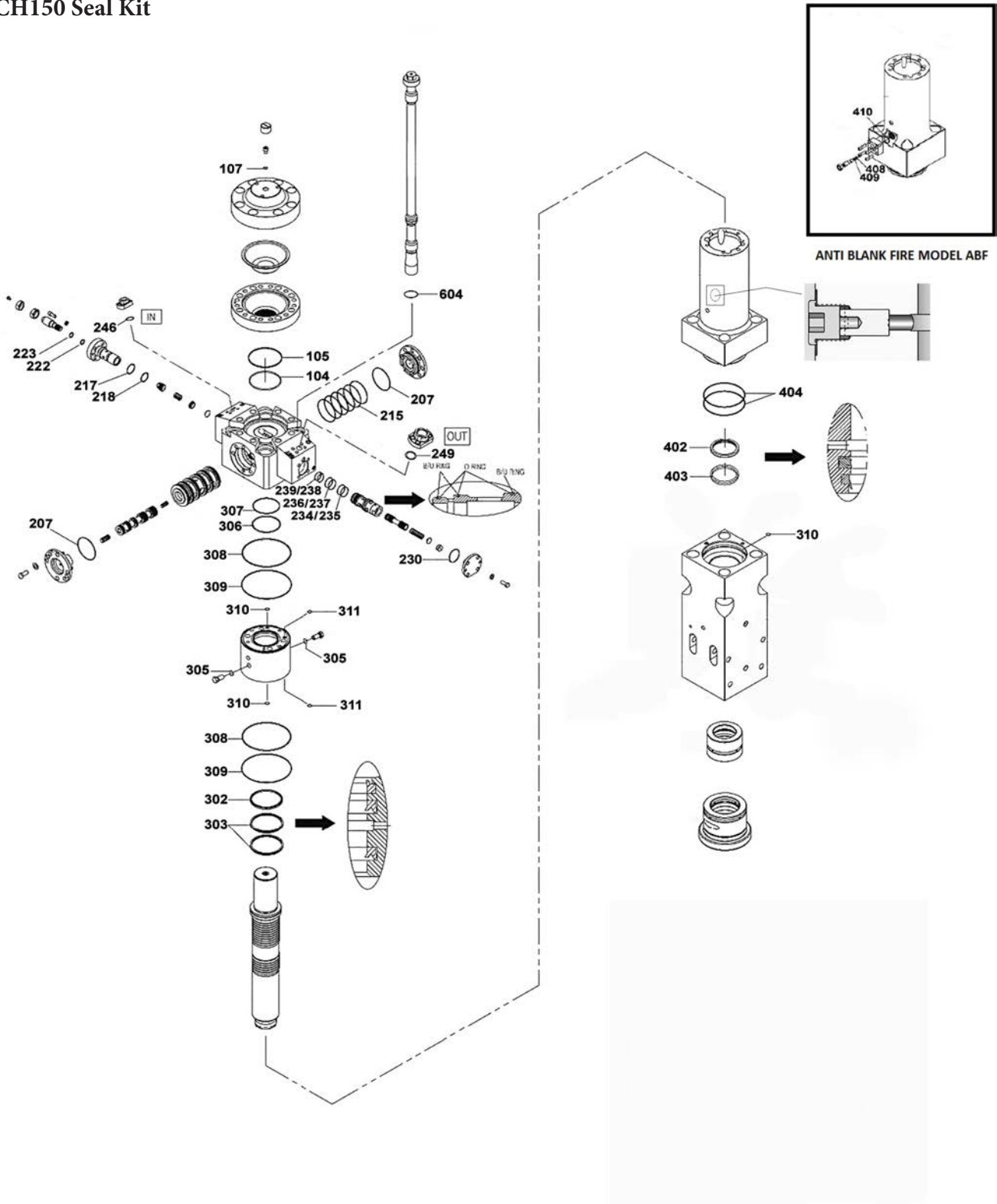


Fig. 5.1 CH150 Seal Kit

Connect Work Tools Large Series Breaker Model CH150 Seal Kit

## 5.0 Seal Kits

### 5.1 CH150 Seal Kit Parts List

<b>CH150 SEAL KIT</b>					
Item	Illustration	QTY	Description	Part Number	Assembly Area
		<b>1</b>	<b>SEAL KIT</b>	<b>CHB2807200HX</b>	
1	246	1	O - RING	CHB4007050	FLANGE(IN)
2	248	1	O - RING	CHB4007060	FLANGE(OUT)
3	215	6	O - RING	CHB2507070	SLEEVE
4	306	1	O - RING	CHB2507080	SEAL HOUSING
5	307	1	BACKUP RING	CHB2507090	SEAL HOUSING
6	308	2	O - RING	CHB3007100	SEAL HOUSING
7	309	2	BACKUP RING	CHB3007110	SEAL HOUSING
8	207	2	O - RING	CHB2507120	SLEEVE COVER 1,2
9	404	2	O - RING	CHB2507130	CYLINDER
10	302	1	WIPER	CHB2807120	SEAL HOUSING
11	303	2	U - PACKING	CHB2807130	SEAL HOUSING
12	402	1	SEAL	CHB2807030	CYLINDER
13	403	1	WIPER	CHB2807040	CYLINDER
14	238	1	O - RING	CHB2500790	OPER. V/V GUIDE
15	239	1	BACKUP RING	CHB2507350	OPER. V/V GUIDE, Needle V/V
16	236	1	O - RING	CHB2507200	OPER. V/V GUIDE
17	237	1	BACKUP RING	CHB2507360	OPER. V/V GUIDE
18	234	1	O - RING	CHB4007190	OPER. V/V GUIDE
19	235	1	BACKUP RING	CHB6007350	OPER. V/V GUIDE
20	230	1	O - RING	CHB4007200	OPER. V/V COVER
21	604	4	O - RING	CHB2507250	SIDE ROD
22	107	1	USIT RING	CHB4007020	ACC. COVER
23	104	1	O - RING	CHB2507270	ACC. BOTTOM
24	105	1	BACKUP RING	CHB2507280	ACC. BOTTOM
25	217	1	O - RING	CHB2507200	NEEDLE V/V
26	310	5	O - RING	CHB4007310	SEAL HOUSING, CYLINDER, FH
27	222	1	O - RING	CHB4007260	NEEDLE V/V
28	223	1	BACKUP RING	CHB3206940	NEEDLE V/V
29	305	2	O - RING	CHB0407150	AIR VENT PLUG
30	408	1	O-RING	CHA3206550	CYLINDER / STOP VALVE
31	409	1	O-RING	CHB1807310	CYLINDER / ADJUST BOLT
32	410	1	BACKUP RING	CHA3007160	CYLINDER / ADJUST BOLT

## 5.0 Seal Kits

### 5.2 CH165 Seal Kit

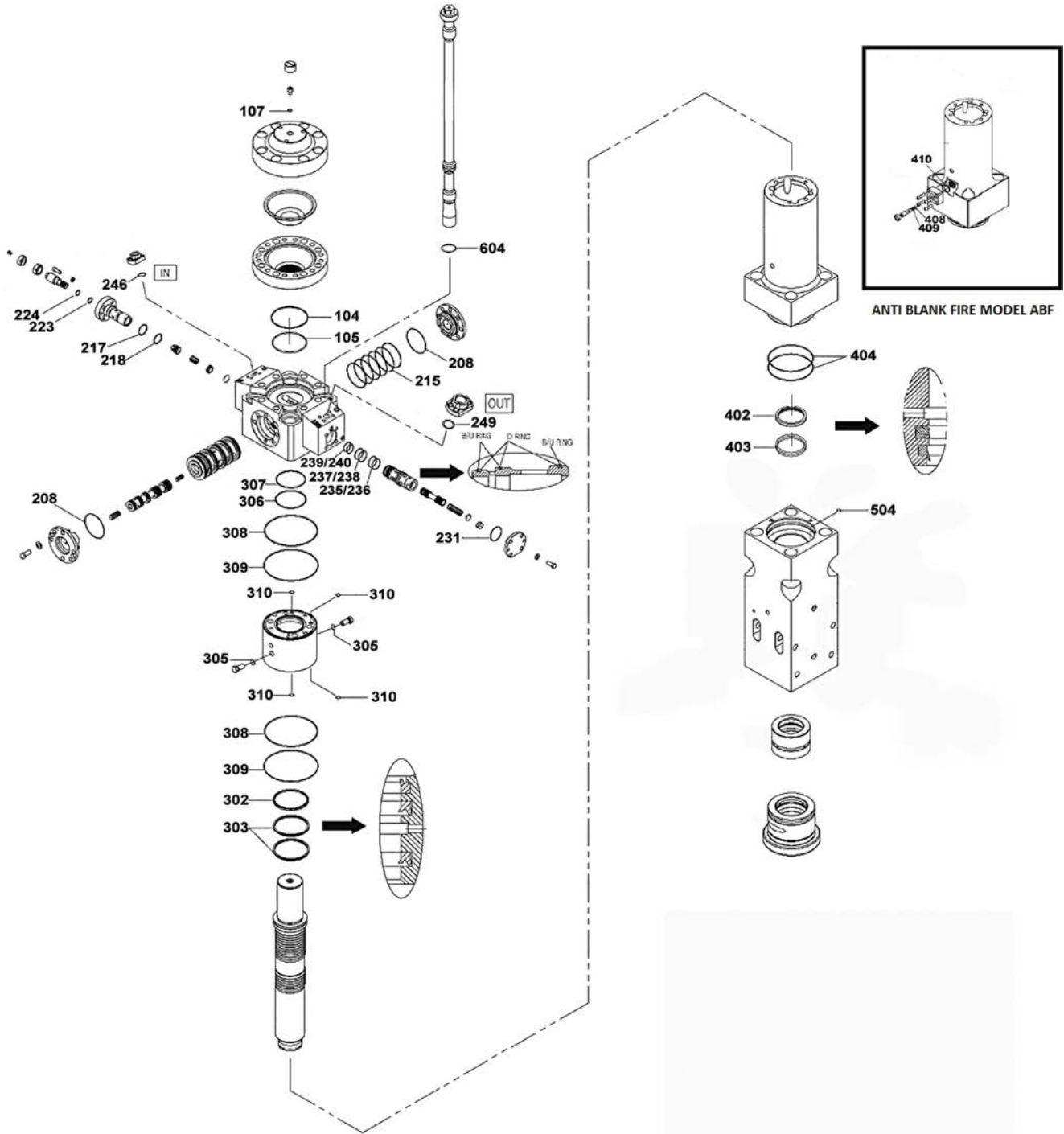


Fig. 5.2 CH165 Seal Kit

Connect Work Tools Large Series Breaker Model CH165 Seal Kit

## 5.0 Seal Kits

### 5.2 CH165 Seal Kit Parts List

<b>CH165 SEAL KIT</b>					
Item	Illustration	QTY	Description	Part Number	Assembly Area
		<b>1</b>	<b>SEAL KIT</b>	<b>CHB320810BHX</b>	
1	246	1	O - RING	CHB4007050	FLANGE(IN)
2	249	1	O - RING	CHB4007060	FLANGE(OUT)
3	215	6	O - RING	CHB4007070	SLEEVE
4	306	1	O - RING	CHB3007080	SEAL HOUSING
5	307	1	BACKUP RING	CHB3007090	SEAL HOUSING
6	308	2	O - RING	CHB6007190	SEAL HOUSING
7	309	2	BACKUP RING	CHB3207110	SEAL HOUSING
8	208	2	O - RING	CHB4007120	SLEEVE COVER 1,2
9	404	2	O - RING	CHB3007100	CYLINDER
10	302	1	WIPER	CHB3207120	SEAL HOUSING
11	303	2	U - PACKING	CHB3207130	SEAL HOUSING
12	402	1	SEAL	CHB3207160	CYLINDER
13	403	1	WIPER	CHB3207170	CYLINDER
14	240	1	BACKUP RING	CHB6007350	OPER. V/V GUIDE
15	239/217	2	O - RING	CHB4007190	OPER. V/V GUIDE, Needle V/V
16	237	1	O - RING	CHB4007200	OPER. V/V GUIDE
17	238	1	BACKUP RING	CHB6007360	OPER. V/V GUIDE
18	235	1	O - RING	CHB4007220	OPER. V/V GUIDE
19	236	1	BACKUP RING	CHB6007370	OPER. V/V GUIDE
20	231	1	O - RING	CHB4007240	OPER. V/V COVER
21	604	4	O - RING	CHB3007250	SIDE ROD
22	107	1	USIT RING	CHB4007020	ACC. COVER
23	104	1	O - RING	CHB4007270	ACC. BOTTOM
24	105	1	BACKUP RING	CHB4007280	ACC. BOTTOM
25	218	1	O - RING	CHB2507200	NEEDLE V/V
26	310	5	O - RING	CHB4007310	SEAL HOUSING, CYLINDER
27	223	1	O - RING	CHB4007260	NEEDLE V/V
28	224	1	BACKUP RING	CHB3206940	NEEDLE V/V
29	305	2	O - RING	CHB0407150	AIR VENT PLUG
30	408	1	O-RING	CHA3206550	CYLINDER / STOP VALVE
31	409	1	O-RING	CHB1807310	CYLINDER / ADJUST BOLT
32	410	1	BACKUP RING	CHA3007160	CYLINDER / ADJUST BOLT





## 5.0 Seal Kits

### 5.3 CH175 Seal Kit Parts List

<b>CH175 SEAL KIT</b>					
Item	Illustration	QTY	Description	Part Number	Assembly Area
		<b>1</b>	<b>SEAL KIT</b>	<b>CHB500810AHX</b>	
1	246	1	O - RING	CHB4007050	FLANGE(IN)
2	249	1	O - RING	CHB4007060	FLANGE(OUT)
3	208	2	O - RING	CHB4007120	SLEEVE COVER 1,2
4	306	1	O - RING	CHB4007080	SEAL HOUSING
5	307	1	BACKUP RING	CHB4007090	ACC. BOTTOM
6	309	2	BACKUP RING	CHB4007110	SEAL HOUSING
7	404	2	O - RING	CHB4007130	CYLINDER
8	302	1	WIPER	CHB5007140	SEAL HOUSING
9	305	2	O - RING	CHB0407150	SEAL HOUSING
10	402	1	SEAL	CHB4007160	CYLINDER
11	403	1	WIPER	CHB4007170	CYLINDER
12	240	1	BACKUP RING	CHB6007350	OPER. V/V GUIDE
13	239/217	2	O - RING	CHB4007190	OPER. V/V GUIDE, Needle V/V
14	237	1	O - RING	CHB4007200	OPER. V/V GUIDE
15	238	1	BACKUP RING	CHB6007350	OPER. V/V GUIDE
16	235	1	O - RING	CHB4007220	OPER. V/V GUIDE
17	236	1	BACKUP RING	CHB6007370	OPER. V/V GUIDE
18	231	1	O - RING	CHB4007240	OPER. V/V COVER
19	604	4	O - RING	CHB5007250	SIDE ROD
20	107	1	USIT RING	CHB4007020	ACC. COVER
21	104	1	O - RING	CHB4007270	ACC. BOTTOM
22	105	1	BACKUP RING	CHB4007280	ACC. BOTTOM
23	218	1	O - RING	CHB2507200	NEEDLE V/V
24	310/520	5	O - RING	CHB4007310	SEAL HOUSING, CYLINDER
25	215	6	O - RING	CHB4007070	SLEEVE
26	223	1	O - RING	CHB4007260	NEEDLE V/V
27	224	1	BACKUP RING	CHB3206940	NEEDLE V/V
28	305	2	O - RING	CHB0407150	AIR VENT PLUG
29	408	1	O-RING	CHA3206550	CYLINDER / STOP VALVE
30	409	1	O-RING	CHB1807310	CYLINDER / ADJUST BOLT
31	410	1	BACKUP RING	CHA3007160	CYLINDER / ADJUST BOLT
32	509	1	WIPER	CHB5007340	TOOL BUSHING(OPTION)
33	308	2	O - RING	CHB4007350	SEAL HOUSING
34	238	1	BACKUP RING	CHB6007360	OPER. V/V GUIDE
35	303	2	SEAL	CHB5007150	SEAL HOUSING

### Connect Work Tools Large Series Breaker Model CH175 Seal Kit Parts List

## 5.0 Seal Kits

### 5.4 CH180 Seal Kit

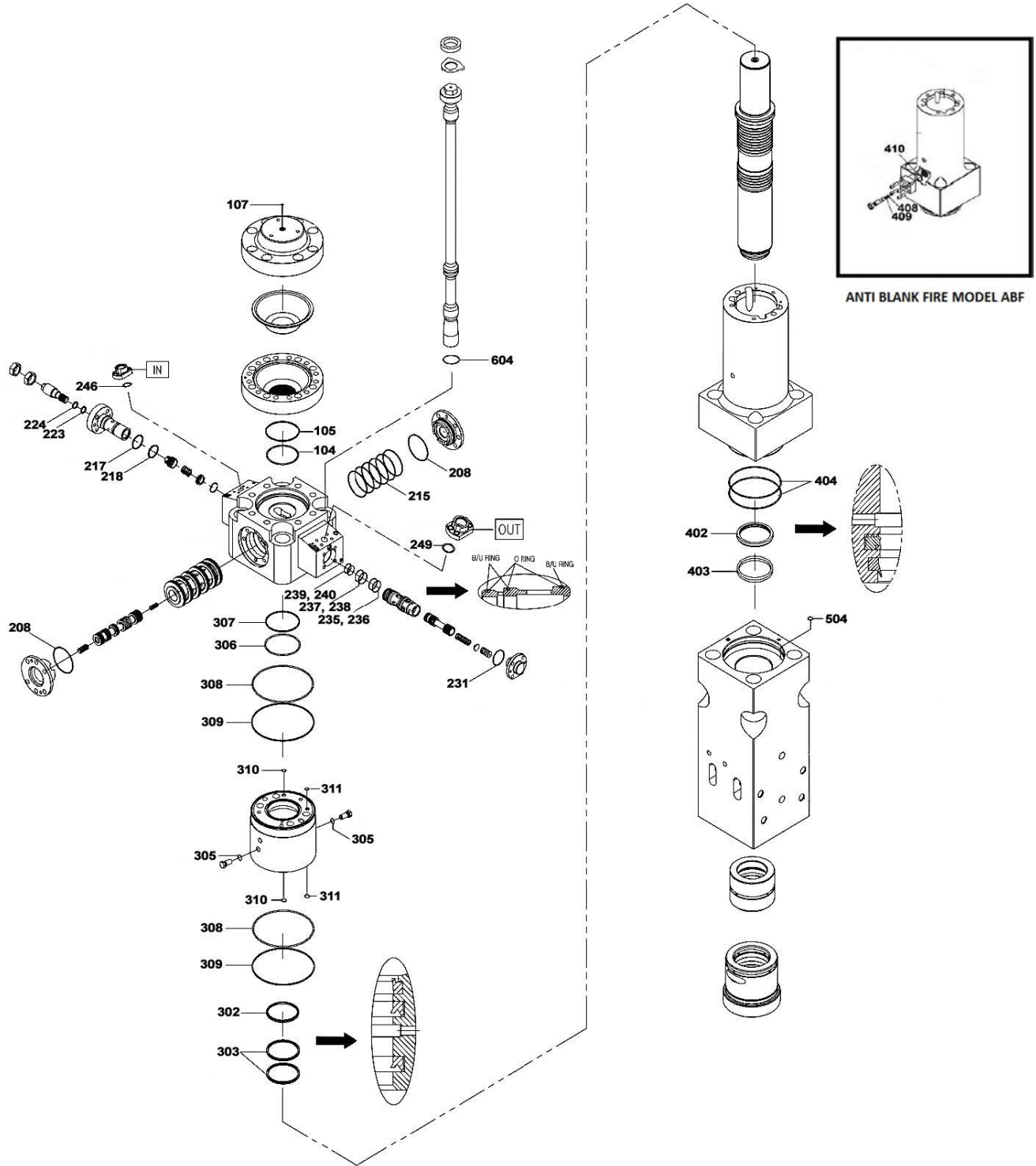


Fig. 5.4 CH180 Seal Kit

Connect Work Tools Large Series Breaker Model CH180 Seal Kit

## 5.0 Seal Kits

### 5.4 CH180 Seal Kit Parts List

<b>CH180 SEAL KIT</b>					
Item	Illustration	QTY	Description	Part Number	Assembly Area
		<b>1</b>	<b>SEAL KIT</b>	<b>CHB600810AHX</b>	
1	246	1	O - RING	CHB4007060	FLANGE
2	208	2	O - RING	CHB6007080	SLEEVE COVER 1,2
3	306	1	O - RING	CHB6007090	SEAL HOUSING
4	307	2	BACKUP RING	CHB6007100	ACC. BOTTOM, SEAL HOUSING
5	308	2	O - RING	CHB6007110	SEAL HOUSING
6	309	2	BACKUP RING	CHB6007120	SEAL HOUSING
7	404	2	O - RING	CHB6007130	CYLINDER
8	302	1	WIPER	CHB6007140	SEAL HOUSING
9	303	2	SEAL	CHB6007150	SEAL HOUSING
10	402	1	SEAL	CHB6007380	CYLINDER
11	403	1	WIPER	CHB6007390	CYLINDER
12	240	1	BACKUP RING	CHB6007350	OPER. V/V GUIDE
13	239/217	2	O - RING	CHB4007190	OPER. V/V GUIDE, Needle V/V
14	237	1	O - RING	CHB4007200	OPER. V/V GUIDE
15	238	1	BACKUP RING	CHB6007360	OPER. V/V GUIDE
16	235	1	O - RING	CHB4007220	OPER. V/V GUIDE
17	236	1	BACKUP RING	CHB6007370	OPER. V/V GUIDE
18	231	1	O - RING	CHB4007240	OPER. V/V COVER
19	605	4	O - RING	CHB4007250	SIDE ROD
20	107	1	USIT RING	CHB4007020	ACC. COVER
21	104	1	O - RING	CHB6007280	ACC. BOTTOM
22	105	1	O - RING	CHB4007270	NEEDLE V/V
23	310	2	O - RING	CHB4007310	SEAL HOUSING
24	215	6	O - RING	CHB6007320	SLEEVE
25	249	1	O - RING	CHB6007330	FLANGE
26	223	1	O - RING	CHB4007260	NEEDLE V/V
27	224	1	BACKUP RING	CHB3206940	NEEDLE V/V
28	305	2	O - RING	CHB0407150	AIR VENT PLUG
29	311& 504	3	O-RING	CHB7507290	SEAL HOUSING/FRONT HEAD
30	408	1	O-RING	CHA3206550	CYLINDER / STOP VALVE
31	409	1	O-RING	CHB1807310	CYLINDER / ADJUST BOLT
32	410	1	BACKUP RING	CHA3007160	CYLINDER / ADJUST BOLT

### Connect Work Tools Large Series Breaker Model CH180 Seal Kit Parts List

## 6.0 Rebuild Kits

### 6.1 Rebuild Kits

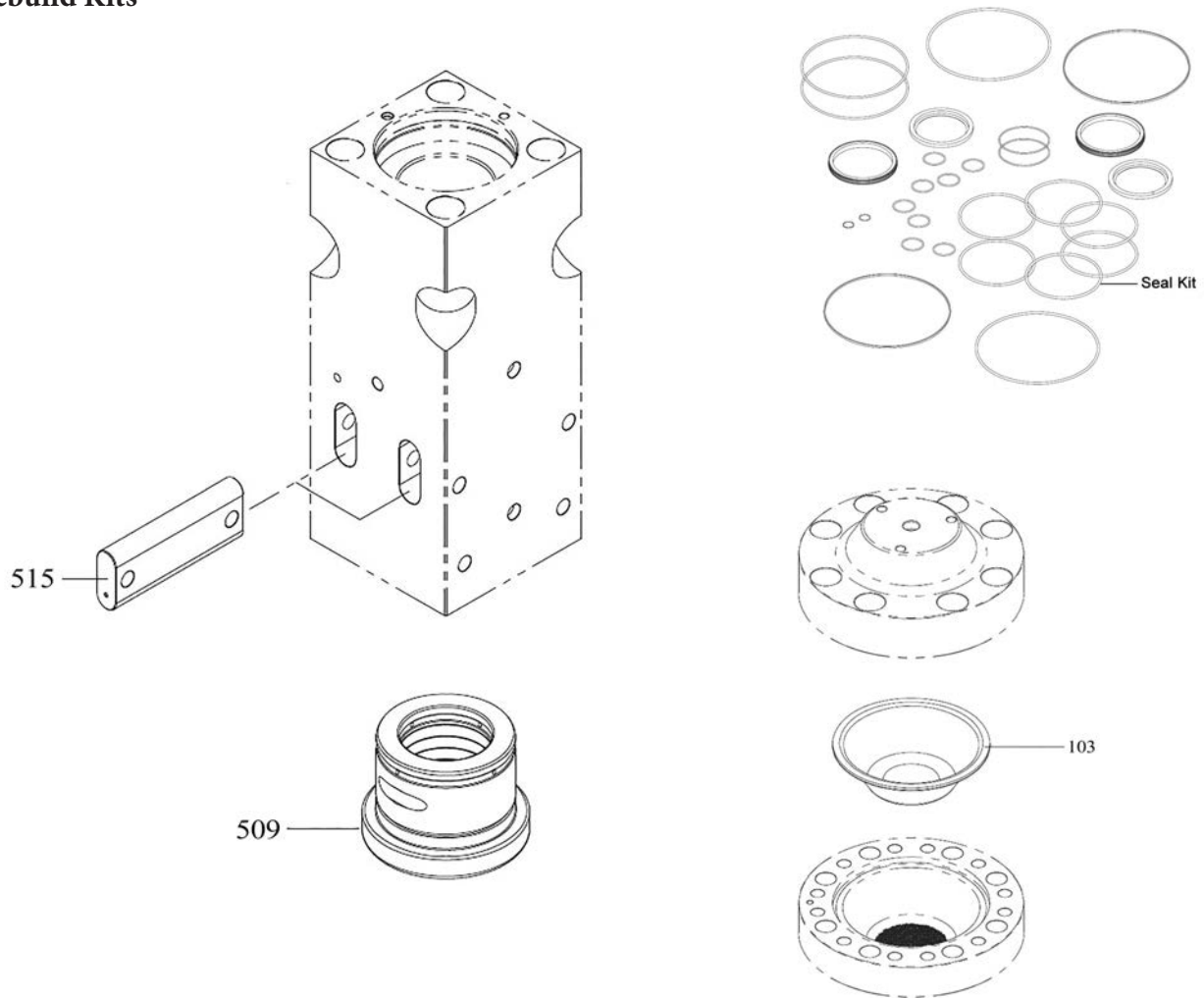


Fig. 6.1 Rebuild Kits

<b>CH150/CH165/CH175/CH180 REBUILD KITS</b>						
Item	QTY	Description	Part Number			
			Model CH150	Model CH165	Model CH175	Model CH180
	<b>1</b>	<b>Kit</b>	<b>CHTKD030EXO</b>	<b>CHTKD035EXO</b>	<b>CHTKD045EXO</b>	<b>CHTKD055EXO</b>
515	2	TOOL PIN	CHB2806040	CHB3206340	CHB5006340	CHB6006340
509	1	TOOL BUSHING	CHB2806050	CHB3206840	CHB5006360	CHB6006360
103	1	MEMBRANE	CHB300704A	CHB300704A	CHB400704A	CHB600704A
	1	SEAL KIT	CHB2807200HX	CHB320810BHX	CHB500810AHX	CHB600810AHX

## 7.0 Tool Bits

### 7.1 Tool Bits

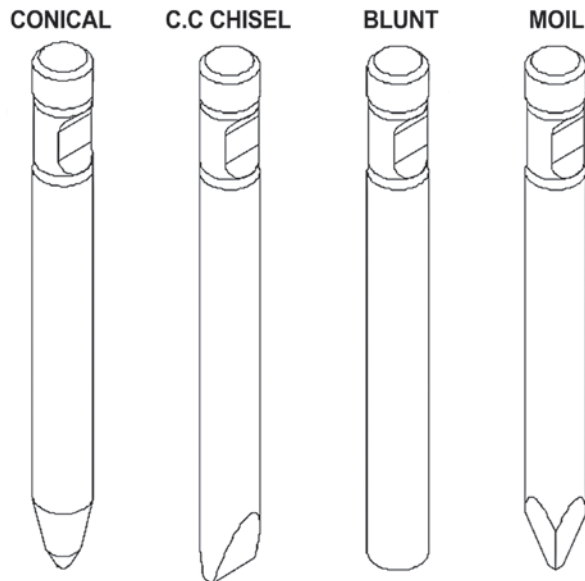


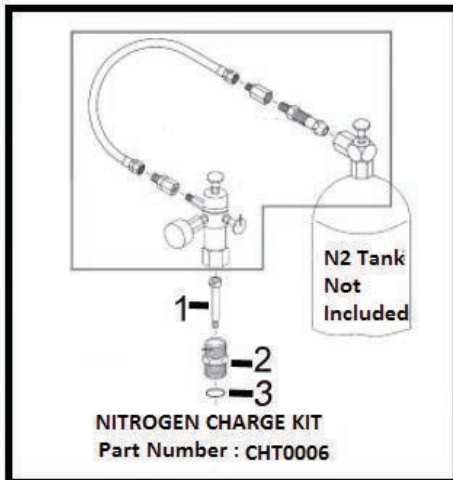
Fig. 7.1 Tool Bits

MODEL	PART NO.	MODEL	PART NO.	MODEL	PART NO.	MODEL	PART NO.	TOOL TYPE
CH150	CHB2806250	CH165	CHB3206380	CH175	CHB5006460	CH180	CHB6006380	CONICAL
	CHB2806260		CHB3206390		CHB5006470		CHB6006390	CHISEL
	CHB2806270		CHB3206400		CHB5006480		CHB6006400	BLUNT
	CHB2806280		CHB3206620		CHB5006490		CHB6006620	MOIL

Connect Work Tools Large Series Breaker Model CH150/CH165/CH175/CH180 Tool Bits

## 8.0 Tools Nitrogen (N<sup>2</sup>) Charge Kit - CH150/CH165/CH175/CH180

### 8.1 CH150/CH165/CH175/CH180 Nitrogen (N<sup>2</sup>) Charge Kit



NO	PART NO.	PART NAME	QTY
	CHT0006	N2 Charge Kit	1
1	CHBM1C60052	CHARGE TOOL SOCKET HEAD BOLT	1
2	CH1G020026	CHARGE TOOL ADAPTER	1
3	CGA2507380	O-RING	1

Fig. 8.1 CH150/CH165/CH175/CH180 Nitrogen (N<sup>2</sup>) Charge Kit

Connect Work Tools Large Series Breaker Model CH150/CH165/CH175/CH180 Nitrogen (N<sup>2</sup>) Charge Kit

## 9.0 Hoses - CH150/CH165/CH175/CH180

### 9.1 CH150/CH165/CH175/CH180 Hoses

<b>CH150/CH165/CH175/CH180</b>					
Model	Hose Chart				
	Part Number	Length	Diameter/psi	Fitting 1	Fitting 2
CH150/CH165/ CH175/CH180	40-02172	102"	1.25"/3000	20FJSW	20FJSW

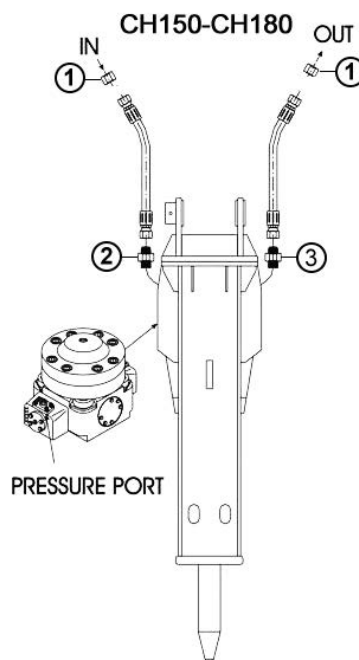


Fig. 9.1 CH150/CH165/CH175/CH180 Hoses

<b>CH150/CH165/CH175/CH180 Hose Plugs</b>			
Item	Model	Part No.	Description
1	CH150/CH165/CH175/CH180	CHE00200	Plug 20 JIC 37 Degree

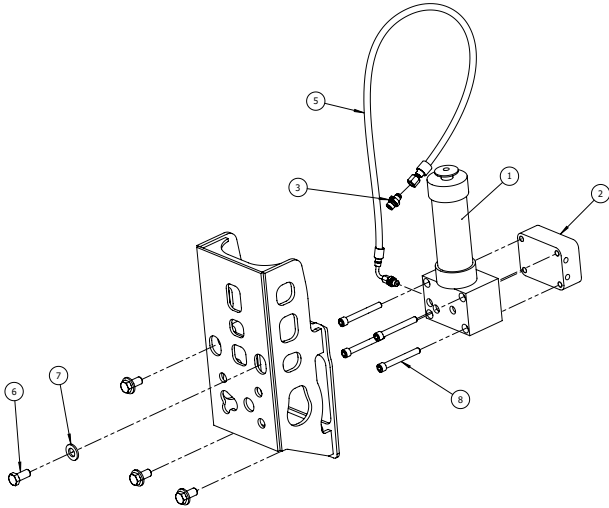
<b>CH150/CH165/CH175/CH180 Hose Adapters</b>					
Inlet Breaker Port					
Item	Model	Adapter Part No.	Flange	Inlet Adapter	Hose to Carrier
2	CH150	CHE00203	CHB3006670	-16 SAE ORB	-20 JIC
2	CH165	CHE00203		-16 SAE ORB	-20 JIC
2	CH175	CHE00203		-16 SAE ORB	-20 JIC
2	CH180	CHE00204	CHB3006660	-20 SAE ORB	-20 JIC

<b>CH150/CH165/CH175/CH180 Hose Adapters</b>					
Outlet Breaker Port					
Item	Model	Adapter Part No.	Flange	Outlet Adapter	Hose to Carrier
3	CH150	CHE00204	CHC3006660	-20 SAE ORB	-20 JIC
3	CH165	CHE00204		-20 SAE ORB	-20 JIC
3	CH175	CHE00204		-20 SAE ORB	-20 JIC
3	CH180	CHE00205	CHB600522U	-24 SAE ORB	-20 JIC

Connect Work Tools Large Series Breaker Model CH150/CH165/CH175/CH180 Hoses

## 10.0 Breaker Mounted Lubricator - CH150/CH165/CH175/CH180

### 10.1 CH150/CH165/CH175/CH180 Breaker Mounted Lubricator

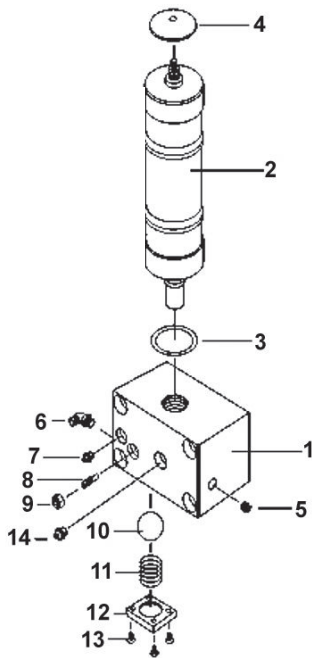


CH110/CH120/CH130/CH140			
NO	PART NO.	PART NAME	QTY
1	CHAGRU0500	SHAKER GREASE PUMP	1
2	CHB2003550	GREASE PUMP PLATE BML WELD-ON	1
3	CHBHSSG102	ADAPTER	2
4	CHE01091	WLDT BML LUBE GUARD	1
5	CHE01743	PLUMBING KIT BML CH120-180	1
6	CHHB1620035	HH CS M16 - 2.00 X 35	4
7	CHPW160000	WASHER FLAT M18	4
8	CHSB1217100	ADAPTER	4

#2 sold separately

Fig. 10.1 CH150/CH165/CH175/CH180 Breaker Mounted Lubricator

### 10.2 CH150/CH165/CH175/CH180 Breaker Mounted Lubricator Down Parts



CH110/CH120/CH130/CH140		
NO	PART NO.	PART NAME
	CHAGRU0500	PUMP
1	CHHLU-0300	11U-BODY
2	CHHL0101	RECHARGEABLE CARTRIDGE
3	CHHL0041	O-RING
4	CHHL0810	HANDLE
5	CHHL0920	PLUG
6	CHHL0360	ZERK
7	CHHNG18	ZERK -GREASE
8	CHHL0240	ADJUSTER
9	CHHNM1201	NUT
10	CHHL0350	BALL
11	CHHL0220	SPRING
12	CHHL0330	COVER
13	CHJBM0615	BOLT
14	CHHNG18	ZERK-GREASE

Fig. 10.2 CH150/CH165/CH175/CH180 Breaker Mounted Lubricator Down Parts

Connect Work Tools Large Series Breaker Model CH150/CH165/CH175/CH180 Lubricator

## 11.0 Breaker Hydraulic Mounted Lubricator

### 11.1 CH150/CH165/CH175/CH180 Breaker Hydraulic Mounted Lubricator

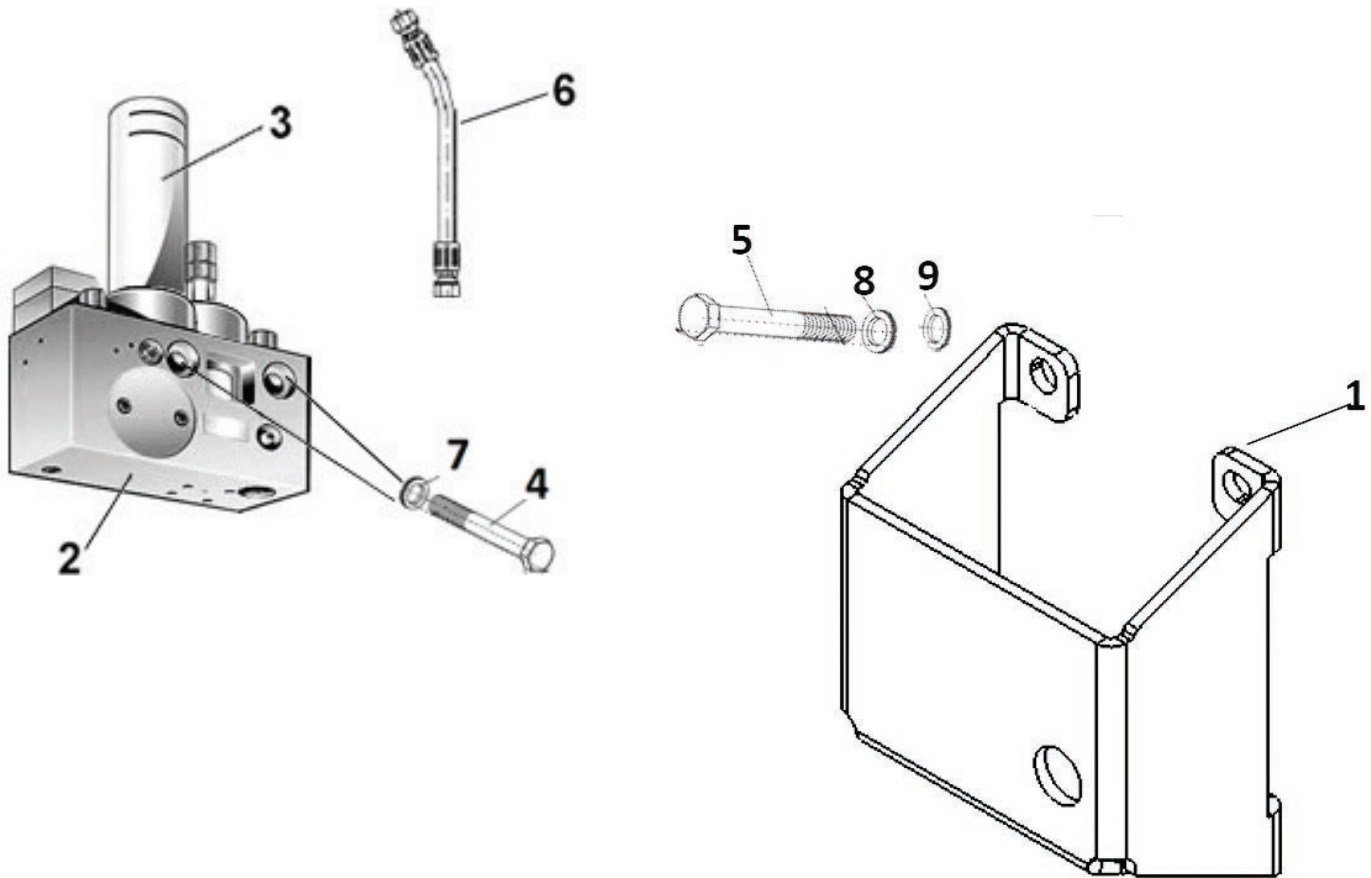


Fig. 11.1 CH150/CH165/CH175/CH180 Breaker Hydraulic Mounted Lubricator

### CH150/CH165/CH175/CH180 Hydraulic Mounted Lubricator

Item	QTY	Description	Model CH150	Model CH165	Model CH175	Model CH180
			CHPHBKD030	CHPHBKD035	CHPHBKD045	CHPHBKB055
	1	Kit	CHB6003220	CHB6003220	CHB6003220	CHB6003220
1	1	PUMP COVER	CHB6003220	CHB6003220	CHB6003220	CHB6003220
2	1	PUMP ASSY	CHHAMAX2-100	CHHAMAX2-100	CHHAMAX2-100	CHHAMAX2-100
*3	1	CARTRIDGE	CHE00933	CHE00933	CHE00933	CHE00933
4	2	HEX BOLT	CHHB1420110	CHHB1420110	CHHB1420110	CHHB1420110
5	4	HEX BOLT	CHHB1620035	CHHB1620035	CHHB1620035	CHHB1620035
6	3	HOSE (A/G PUMP)	CHB5005230	CHB5005230	CHB5005230	CHB7501730B
7	2	NORD LOCK WASHER	CHNDLW1600	CHNDLW1600	CHNDLW1600	CHNDLW1600
8	4	PLAIN WASHER	CHPW160000	CHPW160000	CHPW160000	CHPW160000
9	4	SPRING WASHER	CHSW160000	CHSW160000	CHSW160000	CHSW160000

\*Not Sold Separately - Only by the case



## 12.0 Breaker Carrier Mounted Lubricator

### 12.1 CH150/CH165/CH175/CH180 Breaker Carrier Mounted Lubricator

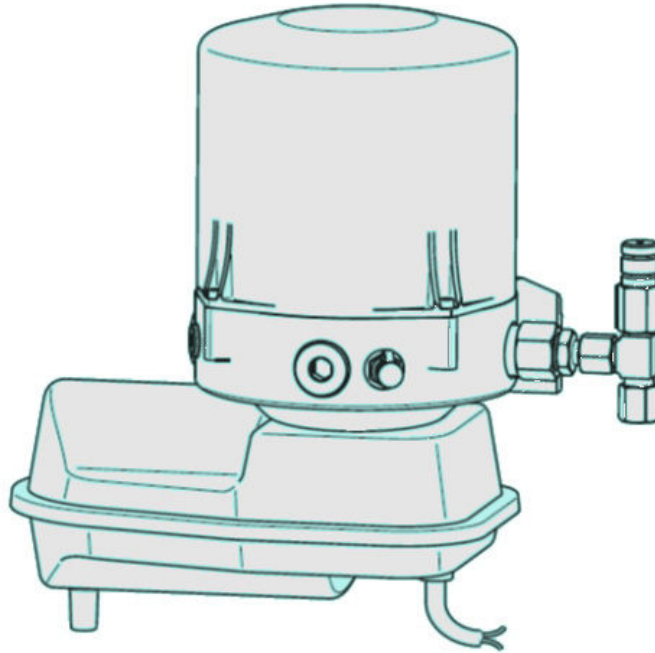


Fig. 12.1 CH150/CH165/CH175/CH180 Breaker Carrier Mounted Lubricator

<b>CH150/CH165/CH175/CH180 Carrier Mounted Lubricator</b>		
<b>Model</b>	<b>Carrier Mounted Lubricator Kit (CML)</b>	<b>Part Number</b>
CH150	Double Pump	CHE00652
CH165	Double Pump	CHE00652
CH175	Triple Pump	CHE00653
CH180	Triple Pump	CHE00653

Kits include hoses, fittings, relay/circuit breaker, harness, signal light and couplers

## 13.0 Quarry Wear Guard Kit

### 13.1 Quarry Wear Guard Kit

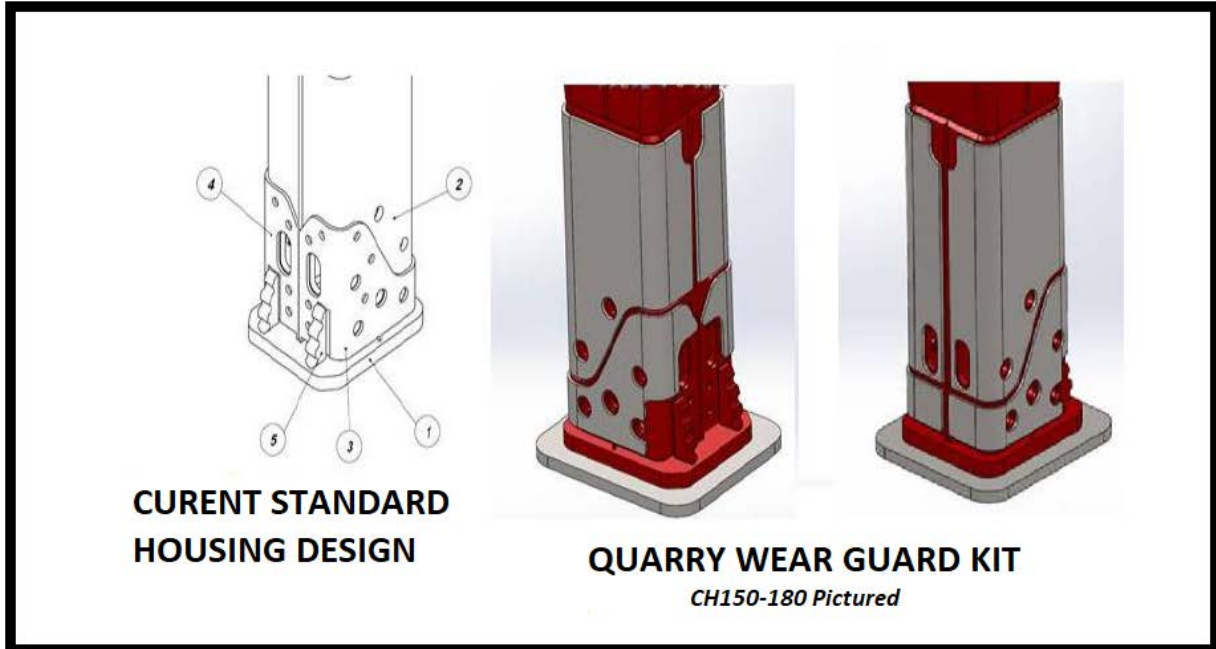


Fig. 13.1 Quarry Wear Guard Kit

<b>CH150/CH165/CH175/CH180 Quarry Wear Guard Kit</b>		
<b>Model</b>	<b>Description</b>	<b>Part Number</b>
CH150	Quarry Wear Guard Kit CH150	CHE01112
CH165	Quarry Wear Guard Kit CH165	CHE00998
CH175	Quarry Wear Guard Kit CH175	CHE00999
CH180	Quarry Wear Guard Kit CH180	CHE01015



**CONNECT**<sup>TM</sup>  
**WORK TOOLS**

---

**920.238.6657**

*[www.connectworktools.com](http://www.connectworktools.com)*

